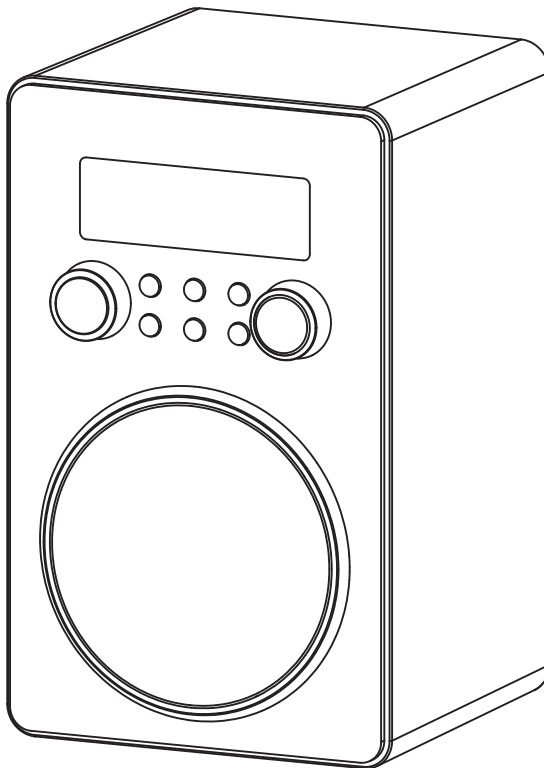




DAB/FM Radio

DAB/FM-radio · DAB/UKW-Radio



Art.no.	Model
18-8377/78/79	EXIBEL DX25
38-5850/51/52	EXIBEL DX25

English	3
Svenska	14
Norsk	25
Deutsch	36

DAB/FM Radio

Art.no 18-8377/-78/-79 Model EXIBEL DX25
38-5850, -51, -52 EXIBEL DX25

Please read the entire instruction manual before using the product and then save it for future reference. We reserve the right for any errors in text or images and any necessary changes made to technical data. If you have any questions concerning technical problems please contact our Customer Services.

1. Safety

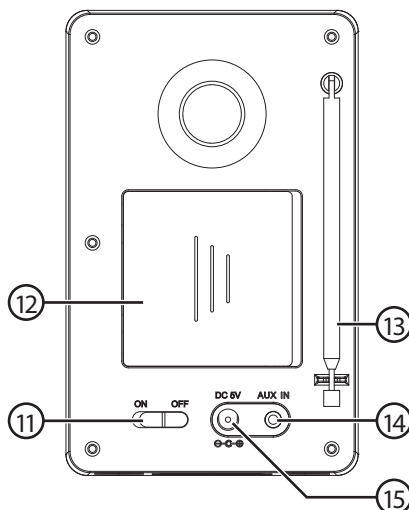
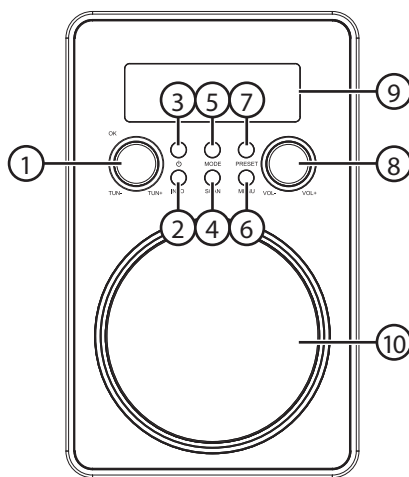
- The radio should not be taken apart or modified. Certain non-shielded components inside the casing of the radio carry dangerous current. Contact with these can lead to fire or electric shock.
- The radio is intended for indoor use only.
- Never subject the radio to high temperature, dust, heavy vibration, impacts, humidity or moisture.
- Do not place the radio in an unstable position where there is a risk that it may fall into water or other liquids. Do not place any objects containing liquid onto the radio, e.g. flower vases or drinks.
- Do not cover the radio. Adequate ventilation with a distance of at least 10 cm between ventilation holes and the surrounding area is necessary to prevent the radio from becoming too warm.
- Disconnect the radio from the power supply by unplugging the mains adaptor from the wall socket.
- Protect your hearing. Listening on high volume for prolonged periods can lead to permanent hearing loss.
- Repairs and service should only be performed by qualified tradesmen, and only with original spare parts.
- The radio must not be dismantled or modified in any way.
- Only use the supplied mains adaptor.
- The radio must not be used close to medical equipment such as in intensive care units. Neither should it be used in close proximity to someone with an implanted pacemaker, cardioverter-defibrillator or similar.

2. Description

Package contents:

DAB/FM radio, mains adaptor and instruction manual.

1. Multifunction knob with the following functions:
 [OK] (Select/Snooze) Press the knob in to confirm selection.
 [TUN-] Turn the knob to the left to change to a lower frequency or submenu.
 [TUN+] Turn the knob to the right to change to a higher frequency or submenu.
2. [INFO] Show information on the display
3. [POWER] Press to switch the radio on/off
4. [SCAN] Start scanning for stations
5. [MODE] Select function, DAB, FM or AUX
6. [MENU] Select desired menu
7. [PRESET] Save stations as presets
8. [VOL -/+] volume control
9. Display
10. Speaker
11. [ON-OFF] Power switch
12. Battery cover
13. Telescopic aerial
14. AUX IN External audio source input socket
15. DC 5 V AC/DC mains adaptor socket




3. Operating instructions

3.1 Placement

The radio should be placed on a flat surface indoors where it is not in direct sunlight or close to a heat source, and not in a humid atmosphere such as in a bathroom.

3.2 Switching the radio on for the first time

1. Make sure the power switch (11) is set to the **OFF** position.
2. Completely extend the telescopic aerial and lift it up. It is important that optimum reception is achieved the first time the radio is used and scans for DAB and FM stations.
3. Plug the cable from the mains adaptor into the “DC 5 V” socket (15) on the back of the radio.
4. Plug the mains adaptor into a wall socket.
5. Set the power switch (11) to **ON** to switch the radio to standby mode. “Welcome to Digital Radio” will appear on the display.
6. Press [] (3) to switch the radio on. The radio will automatically begin searching for DAB stations. “Full Scanning” will appear on the display and an event indicator will show that searching is in progress and the number of stations have been detected. When the scan has finished, the radio will start playing the first station found. If no DAB stations are found “NO DAB Station” will appear on the display.
7. All the DAB stations found will be saved in the memory, next time the radio is switched on it will not need to perform an automatic scan. However, a manual station search can be made by pressing [SCAN] (4) whilst in DAB mode.

Turning the radio on/off

From now on [] (3) can be used to switch the radio on/off.

3.3 Setting the time and date

Automatic setting

The first time you listen to the DAB radio, the time and date will automatically be synchronised to a 24-hour clock display calibrated to summer time (only applicable if DAB is received).

Manual setting

Basic setup

1. Press [MENU] (6), “Alarm” appears on the display.
2. Turn the multifunction knob (1) to the right to scroll to **Time**. Press the multifunction knob in to confirm.
3. “Set 12/24 hour” will appear on the display. Press in the multifunction knob (1) to confirm.
4. “Set 12/24 hour” will appear on the display.
5. Turn the multifunction knob (1) to select either **Set 12 hour** or **Set 24 hour**. Press in the multifunction knob (1) to confirm.

Setting the time

1. Turn the multifunction knob (1) to the right to scroll to **Set Time/Date**. Press in the multifunction knob (1) to confirm.
2. "Set time" will appear on the display and the hour digits will flash.
Turn the multifunction knob (1) to adjust the hours. Press in the multifunction knob (1) to confirm the setting. Use the same procedure for setting the minutes. Press in the multifunction knob (1) to confirm.

Setting the date

1. "Set Date" appears on the display. Set the date, month and year in the same way as you did the time.
2. Once the date setting has been made, press the multifunction knob to confirm. "Time Saved" will appear when the setting has been made and saved.

Changing the date format

1. Press [MENU] (6).
2. Turn the multifunction knob (1) to the right to scroll to **Time**. Press in the multifunction knob (1) to confirm.
3. Turn the multifunction knob (1) and select **Set date format**. Press in the multifunction knob (1) to confirm. Select either **DD-MM-YYYY** or **MM-DD-YYYY** by turning the multifunction knob. Press the multifunction knob in to confirm.

Update the time setting automatically from DAB stations in the same way (in "Time" mode). Select **Auto update** and then press the multifunction knob in to begin an automatic update of the time (only applicable if DAB is received).

3.4 Inserting batteries

1. Make sure that the mains adaptor is disconnected from both the wall socket and the radio.
2. Remove the battery cover by sliding it in the direction of the arrow.
3. Insert 4 × AA/LR6 batteries (sold separately). Observe the polarity markings in the battery compartment.
4. Refit the battery cover.

Note: If there are no batteries in the radio, all the settings must be made again if the mains adaptor is unplugged or the radio is switched off using the power switch (11).

3.5 Adjusting the backlight duration

1. Press [MENU] (6).
2. Turn the multifunction knob (1) to scroll to **Backlight**. Press in the multifunction knob to confirm.
3. Turn the multifunction knob (1) to scroll to the desired function in the submenu.
4. Choose the length of time the backlight is to stay on for: **ON** (always on) – **10, 20, 30, 45, 60, 90, 120** or **180** seconds.
5. Press in the multifunction knob to confirm your selection.

4. Selecting the mode of the radio

One of the following radio modes can be selected: DAB, FM or AUX (external audio source). Press [MODE] (5) repeatedly to select:

- **DAB** listen to DAB radio.
- **FM** listen to FM radio.
- **Auxiliary Input** listen to an external audio source connected to the AUX IN socket (14).

5. DAB Radio

DAB - Digital Audio Broadcasting

DAB radio is not the same as analogue radio. In DAB mode, the signals from several broadcasters are combined and sent on the same frequency. These groups of signals are called Multiplexes and Ensembles. Each time a group has been found, its name appears at the bottom of the display.

DAB mode - secondary services

Sometimes, a ">" symbol can be seen after the name of a station. This indicates that the station has a secondary service. This secondary service could be in the form of a sports commentary for example.

5.1 Listening to DAB radio

Activate DAB mode

1. Press [MODE] (5) repeatedly until "DAB mode" appears on the display.
2. When the radio is turned on for the first time it automatically enters DAB mode and performs an autoscan. During scanning, "Full Scanning" appears on the display and the number of stations detected is also displayed.
3. When the scan is complete, the radio starts playing the station with the lowest frequency.
4. If no DAB stations are found "NO DAB Station" will appear on the display.

5.2 Activation of automatic scanning for DAB radio stations

1. Press [SCAN] (4) to initiate a scan or press [MENU] (6) and turn the multifunction knob (1) to scroll to **Full Scan**. Press in the multifunction knob to confirm.
2. "Scanning" is shown on the display whilst scanning is in progress.
3. When stations are found they are saved automatically. To listen to a saved station, turn the multifunction knob (1) to the desired station. Then press in the multifunction knob to confirm.

Note: Scanning can take up to 1–2 minutes.

5.3 Saving a found DAB radio station as a preset

The radio can save up to 10 different DAB radio stations as presets. DAB presets are not saved over FM presets.

Save a DAB radio station as follows (in DAB mode):

1. Set the desired station on the radio.
2. Hold in [Preset] (7), “Preset Store 1” will appear on the display.
3. Turn the multifunction knob (1) to select which preset number the station is to have (1–10). If there is already a station saved on preset 1, its name and frequency will be displayed, if no station has previously been saved as preset 1, “Empty” will appear on the display.
4. Press in the multifunction knob to confirm.
5. “Preset X stored” will appear on the display to confirm that the station has been saved.

Note: If a previously saved station already occupies the chosen preset slot it will be replaced by the new one.

5.4 Browsing the saved DAB radio stations (in DAB mode)

1. Press [Preset] (7).
2. “Preset Recall 1” and its saved station name and frequency will appear on the display. If no station has previously been saved as preset 1, “Empty” will appear on the display.
3. Turn the multifunction knob (1) to browse the stations saved as presets 1–10.
4. Press in the multifunction knob to confirm your selection. **Note:** The radio might become silent for a moment whilst the stations are changing.

5.5 DAB display information

By pressing [INFO] (2) repeatedly, you can display the following information:

- Time/Date – The time and date are set automatically.
- Channel/Frequency – The frequency is displayed as for example “11C 220.352MHz”.
- Audio Bite Rate: The display shows the radio mode (DAB) and the digital audio bit rate of the current reception.
- Signal Strength: The signal strength is displayed graphically.
- DLS (Dynamic Label Segmenting): Text from the DAB station to which you are listening. The information can for example include facts about the songs being played.
- PTY (Programme Type): shows which type of programme you are listening to, “Rock”, “Pop”, “News” etc. If there is no information, the text “Programme Type” is displayed.
- Multiplex name: This is a group of radio stations sent on the same frequency. There are both national and local multiplexes. The local ones contain stations specific for your area.
- Signal error: Shows the quality of signal on a scale of 0–99. It is normally possible to listen to a signal with a quality higher than 30.

5.6 Manual search for DAB radio stations (only in DAB mode)

It is possible to tune into a specific station/frequency manually and add it to your list of stations. This facility can be used for attaining the optimum reception for a specific station/frequency.

1. Press [MENU] (6) to enter the menu.
2. Turn the multifunction knob (1) to scroll to the “Manual tune”. Press in the multifunction knob to confirm.
3. Turn the multifunction knob (1) to scroll to the desired station/frequency.
4. Press the multifunction knob in, a rectangle will appear on the second row of the display. The rectangle indicates the strength of the signal (the stronger the signal, the further the rectangle is to the right).
5. Extend and adjust the aerial to get the best signal strength.
6. Press in the multifunction knob to confirm.

6. FM radio

- Completely extend the telescopic aerial and lift it up. This is important in order to get the best reception when the radio is scanning for FM stations.
- Once the radio is switched on, it will start playing the same programme it was set to when it was last switched off.
- In FM mode, RDS (Radio Data System) can be received and shown on the display. RDS information is sent from the station. It could be the name of the station, details about the programme and current time.

6.1 Activating FM mode

1. Press [MODE] (5) repeatedly until “FM mode” appears on the display. The FM radio frequency will appear on the display.
2. To activate autoscans for the next station, press [SCAN] (4).
3. The radio will now start scanning. “Scanning...” is shown on the display whilst scanning is in progress. The scan stops automatically when a station has been found.
4. The frequency can be fine tuned by turning the multifunction knob (1).

6.2 Saving a found FM radio station as a preset

The radio can save up to 10 different FM radio stations as presets. FM presets are not saved over DAB presets.

FM radio stations are saved as follows:

1. Tune the radio into the desired station.
2. Hold in [Preset] (7), “Preset Store 1” will appear on the display.
3. Turn the multifunction knob (1) to select which preset number the station is to have (1–10).
4. If there is already a station saved on preset 1, its name and frequency will be displayed, if no station has previously been saved as preset 1, “Empty” will appear on the display.
5. Press in the multifunction knob to confirm.
6. “Preset X stored” will appear on the display to confirm that the station has been saved.

Note: If a previously saved station already occupies the chosen preset slot it will be replaced by the new one.

6.3 Browsing the saved FM radio stations (in FM mode)

1. Press [Preset] (7).
2. “Preset Recall 1” and its saved station name and frequency will appear on the display. If no station has previously been saved as preset 1, “Empty” will appear on the display.
3. Turn the multifunction knob (1) to browse the stations saved as presets 1–10.
4. Press in the multifunction knob to confirm your selection. **Note:** The radio might become silent for a moment whilst the stations are changing.
5. If no FM station has been saved as a preset, the radio will play the station it was set to when it was last switched off.

6.4 FM display information

By pressing [INFO] (2) repeatedly, you can display the following information:

- Time.
- Date.
- RT (radio text): Scrolling text from the station.
- PTY (Programme Type): shows which type of programme you are listening to, “Rock”, “Pop”, “News” etc. If there is no information, the text “Programme Type” is displayed.
- Station name.
- Auto (Mono) or (Stereo): Automatic switching between mono and stereo reception, the current setting is shown.


7. Activating AUX mode (external audio source)

1. Press [MODE] (5) repeatedly until “Auxiliary Input” appears on the display.
2. Connect an external audio source to AUX IN (14) using a suitable cable with a 3.5 mm stereo plug.
3. Playback is controlled from the external audio source. Adjust the volume on both the external audio device and the radio to achieve the best sound quality.

8. Alarm

8.1 Setting the alarm

Note: Check that the time and date settings on radio are correct before setting the alarm.

1. Press [MENU] (6), “Alarm” appears on the display. Press the multifunction knob in to confirm.
2. Turn the multifunction knob (1) to select either **Alarm 1** or **Alarm 2**. Press in the multifunction knob to confirm.
3. Select **ON** for the time to come on (or **Off** for the time to go off). Press in the multifunction knob to confirm. “Set alarm time” will appear on the display.
4. Turn the multifunction knob (1) to set the desired alarm time. Press in the multifunction knob to confirm. Do the same procedure for the minutes.
5. “Mode:” will appear on the display.
6. Select the desired alarm mode: **DAB**, **FM** or **Buzzer** by turning the multifunction knob (1).
7. Press in the multifunction knob to confirm your selection.
8. “Days:” (which days the alarm is to be activated) will appear on the display.
9. Select the desired repetition of the alarm by turning the multifunction knob (1): once, daily, weekdays or weekends.
10. Press in the multifunction knob to confirm your selection.
11. “Alarm volume” will appear.
12. Select the desired alarm volume by turning the multifunction knob (1). The volume is shown graphically in the display.
13. Press in the multifunction knob to confirm your selection.
14. “Alarm saved” will appear. The alarm settings are now saved. The  icon will appear on the display in standby mode.

Note: If DAB or FM have been chosen as alarm modes, the last station you listened to will be played when the alarm is activated.

8.2 Shutting off the alarm

Press [⏻] (3) whilst the alarm is going off. “Alarm off” will appear on the display and the radio will revert to standby mode.

Or alternatively:

8.3 Snooze

Activating the snooze function when the alarm goes off. The default duration for the snooze function is 5 minutes, but it can be changed to either 10, 15, 20, 25, or 30 minutes.

1. Press [MENU].
2. Turn the multifunction knob (1) to **Snooze Time**.
3. Press in the multifunction knob to confirm.
4. Turn the multifunction knob (1) to select the desired snooze time:
5–10–15–20–25–30 minutes.
5. Press in the multifunction knob to confirm.

8.4 Shutting off the alarm permanently

1. Press [MENU] (6) the required number of times until “Alarm” appears on the display. Press the multifunction knob in to confirm.
2. Turn the multifunction knob (1) to select either **Alarm 1** or **Alarm 2**. Press in the multifunction knob to confirm.
3. Select **Off** and press in the multifunction knob.
4. Press in the multifunction knob to confirm.

9. Resetting the radio to factory settings

1. Press [MENU] (6).
2. Turn the multifunction knob (1) to scroll to **Factory Reset**. Press in the multifunction knob to confirm.
3. Choose **NO** or **Yes** using the multifunction knob.
4. Once the setting has been made, press the multifunction knob to confirm. “Restarting...” will appear on the display whilst the radio is resetting.

Note: All preset stations will also be lost if the radio is reset, as explained below.

10. Care and maintenance

Clean the product using a soft, dry cloth. Never use solvents or abrasive cleaning agents.

11. Troubleshooting

Poor radio reception

- Extend the aerial completely.
- Move the radio. Remember to scan for stations again after moving.
- Check that the radio is not close to any sources of interference such as microwaves, fluorescent lights, etc.

No sound

- Check the volume setting.
- Check that the power switch is set to **ON** and that the mains adaptor is connected correctly.
- Try changing to another station.

The controls are not working

- Check that the power switch is set to **ON** and that the mains adaptor is connected correctly.
- Turn the radio off, unplug the adaptor, wait about 1 minute. Reconnect the adaptor to the radio and wall socket.
- Reset the radio to its factory settings, see *Resetting the radio to factory settings*.

Check which software version your radio has

Find this out before ringing customer services if you have problems with the radio.

1. Press [MENU] (6).
2. Turn the multifunction knob (1) to scroll to **SW version**. Press in the multifunction knob to confirm. The installed software version will appear on the display.
3. Press in the multifunction knob to confirm your selection.

12. Disposal

This product should be disposed of in accordance with local regulations. If you are unsure how to proceed, contact your local council.

13. Specifications

AC/DC adaptor input voltage	100–240 V, 50/60 Hz
AC/DC adaptor output voltage	5 V, 1 A
Frequency range	DAB band III and FM PLL radio Band III 174–240 MHz FM 87.5–108 MHz
Speaker output	3 W
LCD display	Display with backlight
AUX socket	3.5 mm
Batteries	4 × AA/LR6 (sold separately)
Size	18 × 11 × 10 cm

DAB/FM-RADIO

Art.nr 18-8377/78/79 Modell EXIBEL DX25
38-5850/51/52 EXIBEL DX25

Läs igenom hela bruksanvisningen före användning och spara den sedan för framtida bruk. Vi reserverar oss för ev. text- och bildfel samt ändringar av tekniska data. Vid tekniska problem eller andra frågor, kontakta vår kundtjänst (se adressuppgifter på baksidan).

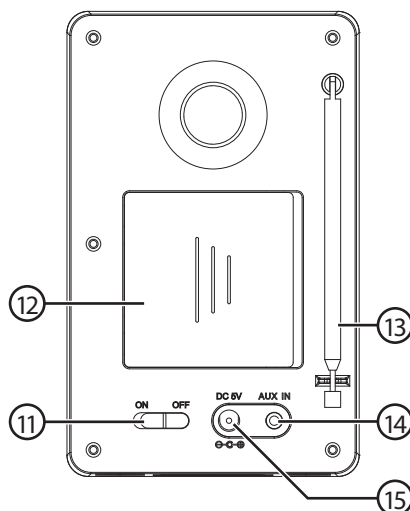
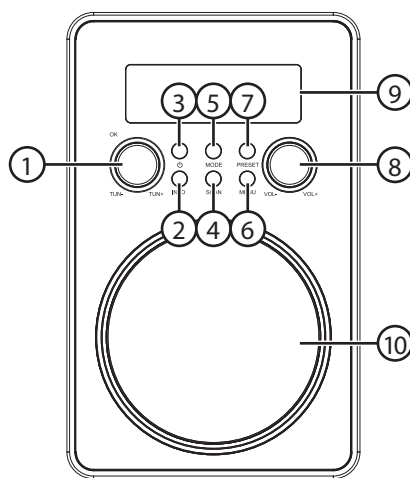
1. Säkerhet

- Radion får inte demonteras eller ändras. Farlig spänning finns oskyddad på komponenter inuti radions hölje. Kontakt med dessa kan leda till brand eller ge elektriska stötar.
- Radion är endast avsedd för inomhusbruk.
- Utsätt aldrig radion för höga eller låga temperaturer, dammig miljö, starka vibrationer, stötar, fukt eller väta.
- Placera inte radion så att den kan falla ner i vatten eller annan vätska. Ställ inte några föremål som innehåller vätska på radion, t.ex. en blomvas eller dryck.
- Täck inte över radion. Tillräcklig ventilation, med ett minsta avstånd på ca 10 cm mellan ventilationshålen och omgivande ytor, är nödvändig för att förhindra att radion blir för varm.
- Bryt strömmen till radion genom att dra dess batterieliminators ur vägguttaget.
- Skydda din hörsel. Lyssning med hög volym under lång tid kan leda till bestående hörselskador.
- Låt behörig personal utföra service och reparationer och endast med originalreservdelar.
- Radion får inte demonteras eller modifieras på något sätt.
- Använd endast bifogad batterieliminators.
- Radion får inte användas i närheten av medicinsk utrustning i intensivvård etc. Den får inte heller användas i närheten av någon som har en inopererad pacemaker eller liknande.

2. Beskrivning

Förpackningen innehåller:
DAB/FM-radio, batterieliminatör och
bruksanvisning.

1. Multifunktionsknapp med flera funktioner:
[OK] (Select/Snooze) Tryck in knappen
för att bekräfta
[TUN-] Vrid knappen åt vänster för
att stega neråt till lägre frekvens eller
undermeny
[TUN+] Vrid knappen åt höger för att
stega uppåt till högre frekvens eller
undermeny
2. [INFO] Visa information på displayen
3. [ON/OFF] Tryck för att slå på/stänga av radion
4. [SCAN] Starta stationssökning
5. [MODE] Välj funktion, DAB, FM eller AUX
6. [MENU] Välj önskad meny
7. [PRESET] Spara hittade stationer som
snabbval
8. [VOL -/+] volymkontroll
9. Display
10. Högtalare
11. [ON-OFF] Strömbrytare
12. Batterilucka
13. Teleskopantenn
14. AUX IN Anslutning för yttre ljudkälla
15. DC 5 V Anslutning för batterieliminatör



3. Användning

3.1 Placering

Placera radion på en plan yta inomhus som inte är belyst av solen, inte nära heta föremål och inte på en fuktig plats som t.ex. i badrum.

3.2 Slå på radion första gången

1. Se till att strömbrytaren (11) står i läge **OFF**.
2. Dra ut teleskopantennen helt och rikta in den vertikalt. Det är viktigt för att få bästa mottagning när radion startar första gången och gör automatisk sökning av DAB- eller FM-stationer.
3. Anslut kabeln från batterieliminatortill till "DC 5 V" (15) på baksidan av radion.
4. Anslut batterieliminatortill till ett vägguttag.
5. Ställ strömbrytaren (11) på **ON**, radion är i standbyläge. "Welcome to Digital Radio" visas på displayen.
6. Tryck på [⏻] (3) för att slå på radion. Radion startar automatiskt att söka efter DAB-radiostationer. "Full Scanning" visas på displayen och en händelseindikator visar att sökningen pågår samt hur många stationer som har hittats. När sökningen är klar kommer radion att starta uppspelning av den först hittade hörbara stationen. Om inga DAB-radiostationer hittas visas "NO DAB Station".
7. Alla hittade DAB-radiostationer sparas i minnet, nästa gång som du slår på radion sker därför ingen automatisk sökning. Det är dock möjligt att söka efter stationer manuellt genom att trycka på [SCAN] (4) i DAB-läge.

Slå på och stäng av radion

I fortsättningen används [⏻] (3) för att slå på/stänga av radion.

3.3 Inställning av tid och datum

Automatisk inställning

Första gången som du lyssnar till DAB-radion synkroniseras tid och datum automatiskt till 24-timmarsvisning med sommartid (gäller endast om det finns DAB-mottagning).

Manuell inställning

Grundinställning

1. Tryck på [MENU] (6), "Alarm" visas på displayen.
2. Vrid multifunktionsknappen (1) åt höger för att skrolla till **Time**. Tryck på multifunktionsknappen (1) för att bekräfta.
3. "Set 12/24 hour" visas på displayen. Tryck på multifunktionsknappen (1) för att bekräfta.
4. "Set 12/24 hour" visas på displayen.
5. Vrid multifunktionsknappen (1) för att välja **Set 12 hour** eller **Set 24 hour**. Tryck på multifunktionsknappen (1) för att bekräfta.

Ställ in tid

1. Vrid multifunktionsknappen (1) åt höger för att välja **Set Time/Date**. Tryck på multifunktionsknappen (1) för att bekräfta.
2. "Set time" visas på displayen och siffrorna för timangivelsen blinkar. Vrid multifunktionsknappen (1) för att ställa in timme. Tryck på multifunktionsknappen (1) för att bekräfta inställningen. Ställ in minuterna på samma sätt. Tryck på multifunktionsknappen (1) för att bekräfta.

Ställ in datum

1. "Set Date" visas på displayen. Ställ in datum, månad och år på samma sätt.
2. När inställningen av datum är klar, tryck på multifunktionsknappen för att bekräfta. "Time Saved" visas när inställningen är klar och sparad.

Ändra kalendervisning

1. Tryck på [MENU] (6).
2. Vrid multifunktionsknappen (1) åt höger för att skrolla till **Time**. Tryck på multifunktionsknappen (1) för att bekräfta
3. Vrid multifunktionsknappen (1) och välj **Set date format**. Tryck på multifunktionsknappen (1) för att bekräfta. Välj visning mellan **DD-MM-YYYY** och **MM-DD-YYYY** genom att vrida multifunktionsknappen. Tryck på multifunktionsknappen (1) för att bekräfta.

Uppdatera tiden automatiskt från DAB-stationer på samma sätt (i "Time"-läge). Välj **Auto update** och tryck sedan på multifunktionsknappen (1) för att starta automatisk uppdatering av tiden (gäller endast om det finns DAB-mottagning).

3.4 Sätt i batterier

1. Se till att batterieliminatoren är bortkopplad från vägguttaget och från radion.
2. Skjut batteriluckan i pilens riktning för att ta bort den.
3. Sätt i 4 × AA/LR6-batterier (säljs separat). Observera märkningen i batterifacket.
4. Sätt tillbaka batteriluckan.

Obs! Om batterier inte finns i batterifacket måste alla inställningar göras om när batterieliminatoren tas ur eluttaget eller när radion stängs av med strömbrytaren (11).

3.5 Justera bakgrundsbelysning

1. Tryck på [MENU] (6).
2. Vrid multifunktionsknappen (1) för att skrolla till **Backlight**. Tryck på multifunktionsknappen för att bekräfta.
3. Vrid multifunktionsknappen (1) för att skrolla till önskad funktion i undermenyn. Välj aktiveringstid för bakgrundsbelysningen: **ON** (alltid på) eller **10, 20, 30, 45, 60, 90, 120** eller **180** sekunder.
4. Tryck på multifunktionsknappen för att bekräfta inställning.

4. Välj önskad funktion för radion

Välj att lyssna till DAB, FM eller AUX-ingång (extern ljudkälla).
Tryck på [MODE] (5) upprepade gånger för att välja mellan:

- **DAB** – lyssna på DAB-radio.
- **FM** – lyssna på FM-radio.
- **Auxiliary Input** – lyssna på en extern ljudkälla som är ansluten till AUX IN (14).

5. DAB-radio

DAB - Digital Audio Broadcasting

DAB-radio skiljer sig från analog radio. I DAB-läge sammanstrålar de olika signalerna från flera stationer och sänds som en enda frekvens. Dessa grupper kallas Multiplexes and Ensembles. Varje gång en grupp har hittats så visas namnet i nedre delen av displayen.

DAB-läge med sekundära tjänster

Vid vissa tillfällen kan symbolen ">" visas efter namnet på stationen. Det indikerar att det finns sekundära tjänster till stationen. Det kan till exempel vara en station som sänder sport som har lagt till extra kommentatorer/information.

5.1 Lyssna på DAB-radio

Aktivera DAB-läge

1. Tryck på [MODE] (5) upprepade gånger tills "DAB mode" visas på displayen.
2. När radion startas första gången går den automatiskt in i DAB-läge och gör en autoskanning. Under skanningen visas "Full Scanning" i displayen samt hur många stationer som hittats.
3. När skanningen är klar väljer radion att starta uppspelning av den station som har lägst frekvens.
4. Om inga DAB-stationer hittas visas "No DAB Station" på displayen.

5.2 Aktivera automatisk sökning efter DAB-radiostationer

1. Tryck på [SCAN] (4) för att starta sökning eller, tryck på [MENU] (6) och vrid multifunktionsknappen (1) för att skrolla till **Full Scan**. Tryck på multifunktionsknappen för att bekräfta.
2. Displayen visar "Scanning" under tiden som sökningen pågår.
3. När stationerna hittats sparas de automatiskt. För att lyssna på en sparad station, vrid multifunktionsknappen (1) till önskad station. Tryck sedan på multifunktionsknappen för att bekräfta.

Obs! Sökningen kan ta 1 till 2 minuter.

5.3 Spara en hittad DAB-radiostation till snabbval

Radion kan spara upp till 10 olika DAB-radiostationer som snabbval. Sparade DAB-radiostationer skriver inte över sparade snabbval för FM.

Spara DAB-radiostationer så här (i DAB-läge):

1. Ställ in önskad station på radion.
2. Håll in [Preset] (7), "Preset Store 1" (snabbval 1) visas på displayen.
3. Vrid multifunktionsknappen (1) för att välja önskat snabbvalsnummer (1–10) där stationen ska sparas. Om det finns en tidigare sparad station på snabbval 1 visas dess namn och frekvens, om ingen station är sparad tidigare på snabbval 1 visas "Empty" på displayen.
4. Tryck på multifunktionsknappen för att bekräfta.
5. På displayen visas "Preset X stored", vilket bekräftar att stationen har sparats på valt nummer.

Obs! Om det redan finns en sparad station på den valda platsen, blir den överskriven av den nya.

5.4 Stega mellan de hittade DAB-radiostationerna (i DAB-läge)

1. Tryck in [Preset] (7).
2. "Preset Recall 1" (snabbval 1) samt dess sparade stationsnamn och frekvens visas på displayen. Om ingen station är sparad tidigare på snabbval 1 visas "Empty" på displayen.
3. Vrid multifunktionsknappen (1) för att välja bland stationerna som har sparats som snabbval 1–10.
4. Bekräfta med multifunktionsknappen. **Obs!** Det kan bli tyst en kort stund när radion skiftar station.

5.5 DAB displayinformation

Genom att trycka upprepade gånger på [INFO] (2) får du fram följande information i displayen:

- Time/Date – tid och datum (ställs in automatiskt).
- Channel/Frequency – frekvensen visas t.ex. som "11C 220.352MHz".
- Audio Bit Rate: displayen visar radioläge (DAB) och den digitala audio bit rate som mottas.
- Signal Strength: signalstyrkan visas grafiskt.
- DLS (Dynamic Label Segmenting): text från den DAB-station som du lyssnar till. Informationen kan t.ex. inkludera fakta om låtar.
- PTY (Programme Type): visar programtyp för sändningen, "Rock", "Pop", "News" etc. Om ingen information finns visas "Programme Type".
- Multiplex name (group name): detta är en samling av radiostationer som sänds på samma frekvens. Det finns nationella och lokala multiplex. Lokala innehåller bara stationer specifika för området.
- Signal error: visar signalkvalitet från 0 till 99. Det är normalt möjligt att lyssna till en station som har signalkvalitet > 30.

5.6 Manuell sökning efter DAB-radiostationer (endast i DAB-läge)

Det går att ställa in en specifik kanal/frekvens manuellt och lägga till den till stationslistan. Denna funktion kan användas för att erhålla optimal mottagning för en specifik kanal/frekvens.

1. Tryck på [MENU] (6) för att öppna menyn.
2. Vrid multifunktionsknappen (1) för att skrolla till "Manual tune". Tryck in multifunktionsknappen för att bekräfta.
3. Vrid multifunktionsknappen (1) för att skrolla till önskad kanal/frekvens.
4. Tryck in multifunktionsknappen, en rektangel visas på den andra raden på displayen. Rektangeln visar signalstyrkan (ju starkare signal = rektangeln längre åt mot höger).
5. Justera antennen till maximal signalstyrka.
6. Tryck in multifunktionsknappen för att bekräfta.

6. FM-radio

- Dra ut teleskopantennen helt och rikta in den vertikalt. Det är viktigt för att få bästa mottagning när radion söker efter FM-stationer.
- När radion slås på kommer den att starta med samma program som var inställt när den stängdes av.
- I FM-läge kan RDS (Radio Data System) tas emot och visas på displayen. RDS-information sänds ut från stationen. Det kan t.ex. vara stationens namn, detaljer om programmet och aktuell tid.

6.1 Aktivera FM-läge

1. Tryck på [MODE] (5) upprepade gånger tills "FM mode" visas. Frekvensen för FM-radio visas i displayen.
2. För att aktivera autosökning efter nästa station, tryck och släpp [SCAN] (4).
3. Sökningen startar. Displayen visar "Scanning..." när sökningen pågår. Sökningen stannar automatiskt när en station hittats.
4. Finjustera frekvensen genom att vrida multifunktionsknappen (1).

6.2 Spara en hittad FM-radiostation till snabbval

Radion kan spara upp till 10 olika FM-radiostationer som snabbval. Sparade FM-radiostationer skriver inte över sparade snabbval för DAB. Spara FM-radiostationer så här:

1. Ställ in önskad station på radion.
2. Håll in [Preset] (7), "Preset Store 1" (snabbval 1) visas på displayen.
3. Vrid multifunktionsknappen (1) för att välja önskat snabbvalsnummer (1–10) där stationen ska sparas. Om det finns en tidigare sparad station på snabbval 1 visas dess namn och frekvens, om ingen station är sparad tidigare på snabbval 1 visas "Empty" på displayen.
4. Tryck på multifunktionsknappen för att bekräfta.
5. På displayen visas "Preset X stored", vilket bekräftar att stationen har sparats på valt nummer.

Obs! Om det redan finns en sparad station på den valda platsen, blir den överskriven av den nya.

6.3 Stega mellan de hittade FM-radiostationerna (i FM-läge)

1. Tryck in [Preset] (7).
2. "Preset Recall 1" (snabbval 1) samt dess sparade stationsnamn och frekvens visas på displayen. Om ingen station är sparad tidigare på snabbval 1 visas "Empty" på displayen.
3. Vrid multifunktionsknappen (1) för att välja bland stationerna som har sparats som snabbval 1–10.
4. Bekräfta med multifunktionsknappen. **Obs!** Det kan bli tyst en kort stund när radion skiftar station.
5. Om ingen FM-station har sparats som snabbval kommer radion att spela upp den station som var inställd när den stängdes av.

6.4 FM displayinformation

Genom att trycka upprepade gånger på [INFO] (2) får du fram följande information på displayen:

- Tid.
- Datum.
- RT (radiotext): rullande textinfo från stationen.
- PTY (Programme Type): visar programtyp för sändningen, "Rock", "Pop", "News" etc. Om ingen information finns visas "Programme Type".
- Stationsnamn.
- Auto (Mono) eller (Stereo): automatisk växling mellan mono- och stereomottagning. Aktuell inställning visas.


7. Aktivera AUX-läge (extern ljudkälla)

1. Tryck på [MODE] (5) upprepade gånger tills "Auxiliary Input" visas på displayen.
2. Anslut en extern ljudkälla med en lämplig kabel till AUX IN (14) (anslutning för 3,5 mm stereoplugg).
3. Uppspelingen styrs från den externa ljudenheten. Justera volym på både extern ljudenhet och på radion till bästa ljudkvalitet.

8. Alarm


8.1 Inställning av alarm

Obs! Kontrollera att radion har rätt inställd tid och datum före inställning av alarm.

1. Tryck på [MENU] (6) , "Alarm" visas. Tryck på multifunktionsknappen (1) för att bekräfta.
2. Vrid multifunktionsknappen (1) för att välja **Alarm 1** eller **Alarm 2**. Tryck på multifunktionsknappen för att bekräfta.
3. Välj **ON** för tillslag (eller **Off** för avstängning). Tryck på multifunktionsknappen för att bekräfta. "Set alarm time" visas på displayen.
4. Vrid multifunktionsknappen för att ställa in önskad timme för alarm. Tryck på multifunktionsknappen för att bekräfta. Gör lika med minuter.
5. "Mode:" (funktion) visas.
6. Välj önskad alarmfunktion: **DAB**, **FM** eller **Buzzer** (summer) genom att vrida på multifunktionsknappen (1).
7. Tryck på multifunktionsknappen för att bekräfta vald funktion.
8. "Days:" (vilka dagar som alarmet aktiveras) visas.
9. Välj önskad alarmrepetering genom att vrida på multifunktionsknappen (1): **once** (en gång), **daily** (dagligen), **weekdays** (veckodagar) eller **weekends** (helgdagar).
10. Tryck på multifunktionsknappen för att bekräfta vald funktion.
11. "Alarm volume" (alarmvolym) visas.
12. Välj önskad alarmvolym genom att vrida på multifunktionsknappen (1). Volymen visas grafiskt.
13. Tryck på multifunktionsknappen för att bekräfta inställningarna.
14. "Alarm saved" visas. Alarminställningarna är sparade. Ikonen  visas på displayen i standbyläge.

Obs! Om DAB eller FM är valt som alarmaktivering kommer den senast avlyssnade stationen (Last listened) att höras när alarmet aktiveras.

8.2 Stäng av alarm

Tryck på [] (3) när larmet ljuder. "Alarm off" visas på displayen och radion återgår till standbyläge.

Eller alternativt:

8.3 Snooze

Aktivera snoozefunktionen när larmet ljuder. Den förinställda tiden för snoozefunktionen är 5 minuter, men det går att ändra mellan 5–10–15–20–25 och 30 minuter.

1. Tryck på [MENU].
2. Vrid på multifunktionsknappen (1) till **Snooze Time**.
3. Tryck på multifunktionsknappen för att bekräfta.
4. Vrid på multifunktionsknappen (1) för att välja önskad snoozetid: 5–10–15–20–25–30 minuter.
5. Tryck på multifunktionsknappen för att bekräfta.

8.4 Stäng av alarm permanent

1. Tryck på [MENU] (6) upprepade gånger tills "Alarm" visas. Tryck på multifunktionsknappen (1) för att bekräfta.
2. Vrid multifunktionsknappen (1) för att välja **Alarm 1** eller **Alarm 2**. Tryck på multifunktionsknappen för att bekräfta.
3. Välj **Off** och tryck på multifunktionsknappen för att stänga av alarmet.
4. Tryck på multifunktionsknappen för att bekräfta.

9. Reset - återställa radion till fabriksinställningarna

1. Tryck på [MENU] (6).
2. Vrid multifunktionsknappen (1) för att skrolla till **Factory Reset**. Tryck på multifunktionsknappen för att bekräfta.
3. Välj **NO** (nej) eller **Yes** (ja) med multifunktionsknappen.
4. När inställningen är klar, tryck på multifunktionsknappen (1) för att bekräfta. Displayen visar "Restarting..." under tiden.

Obs! Alla förinställda stationer försvinner vid återställning, se nedan.

10. Skötsel och underhåll

Rengör produkten med en torr och mjuk trasa. Använd aldrig lösningsmedel eller slipande rengöringsmedel.

11. Felsökning

Dålig radiomottagning

- Dra ut antennen helt.
- Byt plats. Kom ihåg att göra en ny stationssökning efter flyttningen.
- Kontrollera att inga elektriska produkter – mikrovågsugn, lysrör etc. – som kan störa radion finns i närheten.

Inget ljud

- Kontrollera volyminställning på radion.
- Kontrollera att strömbrytaren är i läge **ON** och att batterieliminatorm är rätt ansluten.
- Prova att byta till en annan kanal.

Funktionsknapparna fungerar inte

- Kontrollera att strömbrytaren är i läge **ON** och att batterieliminatorm är rätt ansluten.
- Stäng av radion och dra ur batterieliminatorm, vänta i ca 1 minut. Anslut sedan batterieliminatorm till radion och eluttaget.
- Återställ radion till fabriksinställning, se *Reset - återställa radion till fabriksinställningarna*.

Kontrollera radions mjukvaruversion

Ta reda på detta innan du ringer kundtjänst om du har problem med radion.

1. Tryck på [MENU] (6).
2. Vrid multifunktionsknappen (1) för att skrolla till **SW version**. Tryck på multifunktionsknappen för att bekräfta. Installerad mjukvaruversion visas på displayen.
3. Tryck på multifunktionsknappen för att bekräfta och återgå.

12. Avfallshantering

När du ska göra dig av med produkten ska detta ske enligt lokala föreskrifter. Är du osäker på hur du ska gå tillväga, kontakta din kommun.

13. Specifikationer

Batterieliminators inspänning	100–240 V, 50/60 Hz
Batterieliminators utspänning	5 V/1 A
Frekvensområde	DAB band III och FM PLL radio band III 174–240 Mhz FM 87,5–108 MHz
Uteffekt högtalare	3 W
LCD-display	Display med bakgrundsljus
AUX-anslutning	3,5 mm
Batterityp	4 × AA/LR6-batterier (säljs separat)
Mått	18 × 11 × 10 cm

DAB/FM-RADIO

Art.nr. 18-8377/78/79 Modell EXIBEL DX25
38-5850/51/52 EXIBEL DX25

Les nøye igjennom hele bruksanvisningen og ta vare på den til senere bruk. Vi reserverer oss mot ev. tekst- og bildefeil, samt forandringer av tekniske data. Ved tekniske problemer eller andre spørsmål, ta kontakt med vårt kundesenter (se opplysninger på baksiden).

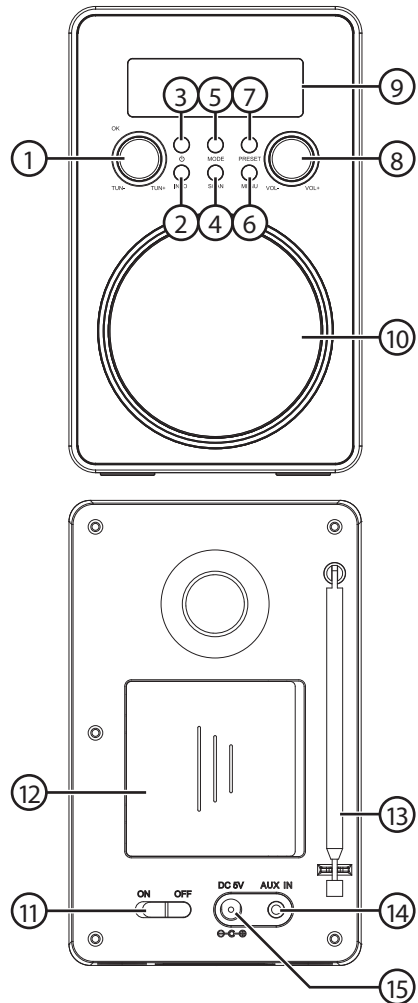
1. Sikkerhet

- Produktet må ikke demonteres eller endres på. Farlig spenning ligger ubeskyttet på visse komponenter under produktets deksel. Kontakt med disse kan føre til brann eller gi elektriske støt.
- Produktet er kun beregnet for innendørs bruk.
- Utsett aldri produktet for høye temperaturer, fuktighet, støvete omgivelser, sterke vibrasjoner eller støt.
- Plasser ikke produktet slik at det kan falle ned i vann eller annen væske. Plasser aldri produktet nær gjenstander som kan forårsake at væske skylles over produktet.
- Produktet må ikke tildekkes. Tilstrekkelig ventilasjon, med en minsteavstand på ca. 10 cm mellom ventilasjonsrillene og omliggende flater er nødvendig, for å forhindre at anlegget blir for varm.
- Produktet gjøres strømløst ved at støpselet trekkes ut av strømuttaket.
- Beskytt hørselen din. Høyt volum over tid kan føre til varige hørselsskader.
- La profesjonelle fagfolk utføre service og reparasjoner. Benytt kun originale reservedeler.
- Produktet må ikke demonteres eller endres på.
- Bruk kun medfølgende batterieliminatør.
- Radioen må ikke brukes nær medisinsk utstyr på intensivavdelinger etc. Den må heller ikke brukes nær noen som har innplantert pacemaker eller liknende.

2. Beskrivelse

Forpakningen inneholder:
DAB/FM-radio, batterieliminatør og
bruksanvisning.

1. Multifunksjonsknapp med flere funksjoner:
[OK] (Select/Snooze) Trykk inn knappen for å bekrefte
[TUN-] Drei knappen til venstre for å gå nedover til en lavere frekvens eller undermeny
[TUN+] Drei knappen til høyre for å gå oppover til høyere frekvens eller undermeny
2. [INFO] Vis informasjon på displayet
3. [POWER] Trykk for å skru på eller stenge radioen
4. [SCAN] Start stasjonssøkingen
5. [MODE] Velg funksjon, DAB, FM eller AUX
6. [MENU] Velg ønsket meny
7. [PRESET] Lagre stasjoner som du har kommet fram til i hurtigvalglisten
8. [VOL -/+] volumkontroll
9. Display
10. Høytaler
11. [ON/OFF] Strømbryter
12. Batterilokk
13. Teleskopantenne
14. AUX IN For tilkobling av andre lydilder
15. 5 V DC Uttak for batterieliminatør



3. Bruk

3.1 Plassering

Plasser radioen på en plan flate, innendørs. Den bør ikke plasseres i direkte sollys eller for nær varme. Radioen er ikke beregnet plassert på fuktige steder, som f.eks. på bad/våtrom.

3.2 Første gang radioen slås på

1. Påse at strømbryteren (11) står i posisjon **OFF**.
2. Trekk ut teleskopantennen og rett den opp til vertikal stilling. Dette er viktig for å oppnå best mulig mottak når radioen startes og man skal søke etter DAB- og FM-stasjoner for første gang.
3. Kabelen fra batterieliminatoren kobles til «5 V DC»-uttaket (15), som sitter på radioens bakside.
4. Batterieliminatorens støpsel kobles til ett strømuttak.
5. Still strømbryteren på (11) på **ON** og radioen er innstilt på standby. «Welcome to Digital Radio» vises på displayet.
6. Trykk på [**⏻**] (3) for å slå på radioen. Radioen starter automatisk søk etter DAB-radiostasjoner. «Full Scanning» vises på displayet og en indikator viser at søking pågår og hvor mange stasjoner som er funnet. Når søkingen er fullført vil radioen starte avspilling fra den første hørbare stasjonen den finner. Hvis den ikke finner noen DAB-stasjoner vil «NO DAB Station» vises.
7. Alle DAB-stasjoner som er funnet vil lagres i minnet. Neste gang du skrur på radioen vil det derfor ikke være automatsøk. Men det er også mulig å søke etter stasjoner manuelt ved at man trykker på [**SCAN**] (4) i DAB-modus.

Slå på og skru av radioen

Heretter benyttes [**⏻**] (3) for å slå på/stenge radioen.

3.3 Innstilling av klokkeslett og dato

Automatisk innstilling

Den første gangen man lytter på DAB-radioen vil klokkeslett og dato automatisk stilles inn på 24-timers visning med sommertid (dette gjelder kun dersom radioen har DAB-mottak).

Manuell innstilling

Grunninnstilling

1. Trykk på [**MENU**] (6), «Alarm» vises i displayet.
2. Drei multifunksjonsknappen (1) til høyre for å skrolle til **Time**. Trykk på multifunksjonsknappen (1) for å bekrefte.
3. «Set 12/24 hour »vises i displayet. Trykk på multifunksjonsknappen (1) for å bekrefte.
4. «Set 12/24 hour »vises i displayet.
5. Drei multifunksjonsknappen (1) for å velge enten **Set 12 hour** eller **Set 24 hour**. Trykk på multifunksjonsknappen (1) for å bekrefte.

Stille inn tiden

1. Drei multifunksjonsknappen (1) til høyre for å velge til **Set Time/Date**. Trykk på multifunksjonsknappen (1) for å bekrefte.
2. «Set time» vises på displayet og tallene for angivelse av timer blinker. Drei på multifunksjonsknappen (1) for å stille inn timene. Trykk på multifunksjonsknappen (1) for å bekrefte. Still inn minutter på samme måte. Trykk på multifunksjonsknappen (1) for å bekrefte.

Innstilling av dato

1. «Set Date» vises på displayet. Still inn dato, måned og år på samme måte.
2. Når innstilling av dato er fullført trykkes multifunksjonsknappen inn for å bekrefte. «Time Saved» vises når innstillingen er fullført og lagret.

Endre visningsoppsett for dato

1. Trykk på [MENU] (6).
2. Drei multifunksjonsknappen (1) til høyre for å skrolle til **Time**. Trykk på multifunksjonsknappen (1) for å bekrefte.
3. Drei på multifunksjonsknappen (1) og velg **Set date format**. Trykk på multifunksjonsknappen (1) for å bekrefte. Velg mellom visning som **DD-MM-YYYY** eller **MM-DD-YYYY** ved å dreie på multifunksjonsknappen. Trykk på multifunksjonsknappen (1) for å bekrefte.

Tiden oppdateres automatisk fra DAB-stasjoner på samme måte (i «Time»-modus). Velg **Auto update** og trykk deretter på multifunksjonsknappen (1) for å starte automatisk oppdatering av tiden (gjelder kun hvis det er DAB-dekning/mottak).

3.4 Sette i batterier

1. Påse at batterieliminatoren er koblet bort fra både strømuttaket og radioen.
2. Skyv batterilokket i pilens retning og fjern det.
3. Plasser 4 × AA/LR6-batterier (selges separat) i holderen. Følg merking i batteriholder.
4. Sett batterilokket på plass igjen.

Obs! Hvis det ikke er batterier i batteriholderen må alle innstillinger foretas på nytt når batterieliminatoren trekkes ut av strømuttaket eller når radioen stenges med strømbryteren (11).

3.5 Justering av bakgrunnsbelysning

1. Trykk på [MENU] (6).
2. Drei på multifunksjonsknappen (1) for å skrolle til **Backlight**. Trykk på multifunksjonsknappen for å bekrefte.
3. Drei på multifunksjonsknappen (1) for å skrolle til ønsket funksjon i undermenyen.
4. Velg aktiveringstid for bakgrunnsbelysningen: **ON** (alltid på) – **10, 20, 30, 45, 60, 90, 120** eller **180** sekunder.
5. Trykk på multifunksjonsknappen for å bekrefte.

4. Velg ønsket funksjon for radioen

Velg mellom lytting til DAB, FM eller AUX-inngang (ekstern lydkilde).

Trykk inn [MODE] (5) gjentatte ganger for å velge mellom:

- **DAB** lytte til DAB-radio.
- **FM** lytte til FM-radio.
- **Auxiliary Input** lytte til en annen lydkilde som er koblet til AUX IN (14).

5. DAB-radio

DAB - Digital Audio Broadcasting

DAB-radioer skiller seg fra analoge radioer. I DAB-modus samles signaler fra flere stasjoner hvor de blir sendt på en og samme frekvens. Disse gruppene kalles Multiplexes and Ensembles. Hver gang man finner en gruppe vil navnet vises nederst på displayet.

DAB-innstillinger med sekundære tjenester

Ved visse anledninger kan symbolet «>» vises etter navnet på stasjonen. Det indikerer at det er sekundære tjenester til stasjonen. Det kan f.eks. være at en stasjon som sender sport har lagt til ekstra kommentarer/informasjon.

5.1 Lytte til DAB-radio

Aktivere DAB-modus

1. Trykk på [MODE] (5) gjentatte ganger til «DAB mode» vises i displayet.
2. Når radioen starter vil den automatisk stilles inn på DAB-modus og foreta en autoskanning. Under skanningen vises «Full Scanning» i displayet samtidig som det kommer opp hvor mange stasjoner som er funnet.
3. Når søket er fullført velger radioen den stasjonen som har den laveste frekvensen.
4. Hvis den ikke finner noen DAB-radiostasjoner vil «No DAB Station» vises.

5.2 Aktivere automatisk søking etter DAB-radiostasjoner

1. Trykk på [SCAN] (4) for å starte søkingen eller trykk på [MENU] (6) og drei på multifunksjonsknappen (1) for å skrolle til **Full Scan**. Trykk på multifunksjonsknappen for å bekrefte.
2. Displayet viser «Scanning» mens søket pågår.
3. Når radioen finner stasjoner vil de lagres automatisk. For å lytte til en lagret stasjon dreies multifunksjonsknappen (1) til ønsket stasjon. Trykk deretter på multifunksjonsknappen for å bekrefte.

Obs! Søkingen kan ta 1–2 minutter.

5.3 Lagre DAB-radiostasjoner til hurtigvalg

Man kan lagre inntil 10 DAB-radiostasjoner som hurtigvalg på radioen. Lagrede DAB-radiostasjoner overtar ikke plassen til hurtigvalg av FM.

DAB-radiostasjoner lagres slik (i DAB-modus):

1. Still inn på ønsket stasjon.
2. Hold [Preset] (7) inne, og «Preset Store 1» (hurtigvalg 1) vises på displayet.
3. Drei multifunksjonsknappen (1) for å velge ønsket hurtigvalgnnummer (1–10) hvor stasjonsinnstillingen skal lagres. Hvis det er en tidligere lagret stasjon på plass 1 vil navnet og frekvensen på denne vises. Hvis det ikke er lagret noe på denne plassen tidligere vil «Empty» vises i displayet.
4. Trykk på multifunksjonsknappen for å bekrefte.
5. På displayet vises «Preset X stored» som bekrefter at stasjonen er lagret på det valgte nummeret.

Obs! Hvis det allerede er lagret en stasjon på den valgte plassen vil den bli erstattet av den nye.

5.4 Bla mellom de forskjellige lagrede DAB-radiostasjonene

I DAB-modus:

1. Trykk inn [Preset] (7).
2. «Preset Recall 1» (hurtigvalg 1) med respektive navn og frekvenser vises i displayet. Hvis man ikke har lagret noen stasjon på hurtigvalg 1 tidligere vil «Empty» komme på displayet.
3. Drei på multifunksjonsknappen (1) for å velge mellom stasjonene som er lagret som hurtigvalg 1–10.
4. Bekreft med multifunksjonsknappen. Obs! Det kan være stille en kort stund mens radioen skifter stasjon.

5.5 DAB displayinformasjon

Ved å trykke på [INFO] (2) gjentatte ganger får du frem følgende informasjon i displayet:

- Time/Date – Tid og dato (stilles inn automatisk).
- Channel/Frequency – frekvensen vises f.eks. som «11C 220.352 MHz».
- Audio Bit Rate: displayet viser radiomodus (DAB) og den digitale audio bit rate som mottas.
- Signal Strength: signalstyrken vises grafisk.
- DLS (Dynamic Label Segmenting): Tekst fra den DAB-stasjonen du lytter på. Informasjonen kan f.eks. inkludere informasjon om musikken.
- PTY (Program Type): viser programtype på sendingen: «Rock», «Pop», «News» etc. Hvis det ikke vises noen informasjon kommer «Program Type» opp.
- Multiplex name (group name): dette er en samling radiostasjoner som sender på samme frekvens. Det er både nasjonale og lokale multiplex. De lokale inneholder kun stasjoner i et spesifikt område.
- Signal error: viser signalkvalitet fra 0 til 99. Det er normalt mulig å lytte til en stasjon som har signalkvalitet > 30.

5.6 Manuelt søk etter DAB-radiostasjoner (kun i DAB-modus)

Kanaler/frekvenser kan søkes opp manuelt og deretter legges inn i listen over faste stasjoner. Denne funksjonen kan brukes for å optimalisere mottaket på en spesiell kanal/frekvens.

1. Trykk på [MENU] (6) for å åpne menyen.
2. Drei på multifunksjonsknappen (1) for å skrolle til «Manual tune». Trykk på multifunksjonsknappen for å bekrefte.
3. Drei på multifunksjonsknappen (1) for å skrolle til ønsket kanal/frekvens.
4. Trykk inn multifunksjonsknappen og et rektangel kommer opp på den andre raden på skjermen. Rektangelet viser signalstyrken (jo sterkere signalet er, desto lengre til høyre er rektangelet).
5. Juster antennen til maksimal signalstyrke.
6. Trykk på multifunksjonsknappen for å bekrefte.

6. FM-radio

- Trekk teleskopantennen helt ut og plasser den vertikalt. Det er viktig for å få best mulig mottak når radioen søker etter FM-stasjoner.
- Når radioen skrus på starter den med samme innstilling som da den ble skrudd av.
- I FM-modus kan RDS (Radio Data System) mottas og vises på displayet. RDS-informasjon sendes ut fra stasjonen. Det kan f.eks. være stasjonens navn, detaljer om programmet og aktuell tid.

6.1 Aktivere FM-modus

1. Trykk på [MODE] (5) gjentatte ganger til «FM mode» vises i displayet. Den aktuelle FM-frekvensen vises på skjermen.
2. For å aktivere autosøking etter neste stasjon, trykk og slipp [SCAN] (4).
3. Søkingen starter. Displayet viser «Scanning...» mens søkingen pågår. Søkingen stopper automatisk når den finner en stasjon.
4. Frekvensen finjusteres ved å dreie på multifunksjonsknappen (1).

6.2 Lagre FM-radiostasjoner til hurtigvalg

Man kan lagre inntil 10 FM-radiostasjoner som hurtigvalg. Lagrede FM-radiostasjoner overtar ikke plassen til hurtigvalg av DAB. FM-radiostasjoner lagres slik:

1. Still inn ønsket stasjon.
2. Hold [Preset] (7) inne, og «Preset Store 1» (hurtigvalg 1) vises på displayet.
3. Drei multifunksjonsknappen (1) for å velge ønsket hurtigvalgunnummer (1–10) hvor stasjonsinnstillingen skal lagres.
4. Hvis det er en tidligere lagret stasjon på plass 1 vil navnet og frekvensen på denne vises. Hvis det ikke er lagret noe på denne plassen tidligere vil «Empty» vises i displayet.
5. Trykk på multifunksjonsknappen for å bekrefte.
6. På displayet vises «Preset X stored» som bekrefter at stasjonen er lagret på det valgte nummeret.

Obs! Hvis det allerede er lagret en stasjon på den valgte plassen vil den bli erstattet av den nye.

6.3 Bla mellom de forskjellige lagrede FM-radiostasjonene

I FM-modus:

1. Trykk inn [Preset] (7).
2. «Preset Recall 1» (hurtigvalg 1) med respektive navn og frekvenser vises i displayet. Hvis man ikke har lagret noen stasjon på hurtigvalg 1 tidligere vil «Empty» komme på displayet.
3. Drei multifunksjonsknappen (1) for å velge mellom stasjonene som er lagret som hurtigvalg 1–10.
4. Bekreft med multifunksjonsknappen. Obs! Det kan være stille en kort stund mens radioen skifter stasjon.
5. Hvis man ikke har lagret noen FM-stasjon som hurtigvalg vil radioen spille fra den stasjonen den var innstilt på da den ble skrudd av.

6.4 FM displayinformasjon

Ved å trykke på [INFO] (2) gjentatte ganger får du frem følgende informasjon i displayet:

- Tid.
- Dato.
- RT (radiotekst): rullende tekstinfo fra stasjonen.
- PTY (Program Type): viser programtype på sendingen: «Rock», «Pop», «News» etc. Hvis det ikke vises noen informasjon kommer «Program Type» opp.
- Stasjonsnavn.
- Auto (Mono) eller (Stereo): Automatisk skifting mellom mono- og stereomottak, aktuell innstilling vises.


7. Aktivere AUX-modus (ekstern lydkilde)

1. Trykk på [MODE] (5) gjentatte ganger til «Auxiliary Input» vises i displayet.
2. En ekstern lydkilde med passende kabel plugges til AUX IN (14).
3. Avspillingen styres fra den eksterne lydkilden. Juster volumet både på den eksterne lydenheten og på radioen for å oppnå best mulig lyd kvalitet.

8. Alarm

8.1 Innstilling av alarm

Obs! Kontroller at radioen er innstilt med riktig tid og dato før tid for alarm stilles inn.

1. Trykk på [MODE] (6), «Alarm» vises. Trykk på multifunksjonsknappen (1) for å bekrefte.
2. Drei multifunksjonsknappen (1) for å velge enten **Alarm 1** eller **Alarm 2**. Trykk på multifunksjonsknappen for å bekrefte.
3. Velg **ON** for tilslag (eller **OFF** for stenging). Trykk på multifunksjonsknappen for å bekrefte. «Set alarm time» vises på displayet.
4. Drei på multifunksjonsknappen for å stille inn ønsket time for alarmen. Trykk på multifunksjonsknappen for å bekrefte. Gjør det samme for innstilling av minuttene.
5. «Mode:» (funktion) vises.
6. Velg ønsket alarmfunksjon: **DAB**, **FM** eller **Buzzer** (summer) ved å dreie på multifunksjonsknappen (1).
7. Trykk på multifunksjonsknappen for å bekrefte valget.
8. «Days:» De dagene alarmen skal varsle vises.
9. Velg ønsket repetisjon av alarmen ved å dreie på multifunksjonsknappen (1): **once** (en gang), **daily** (daglig), **weekdays** (ukedager) eller **weekends** (helger).
10. Trykk på multifunksjonsknappen for å bekrefte valget.
11. «Alarm volume» (alarmvolum) vises.
12. Velg ønsket volum ved å dreie på multifunksjonsknappen (1).
Volumet framstilles grafisk.
13. Trykk på multifunksjonsknappen for å bekrefte.
14. «Alarm saved» vises. Alarminnstillingene er lagret. Ikonet  vises i displayet i standbymodus.

Obs! Hvis DAB eller FM er valgt som alarmaktivering vil den stasjonen radioen sist var innstilt høres når alarmen aktiveres.

8.2 Skru av alarmen

Trykk på [] (3) når alarmen varsler. «Alarm off» vises på displayet og radioen går tilbake til standby-modus.

Eller:

8.3 Snooze

Snoozefunksjonen aktiveres når alarmen starter. Den forhåndsinnstilte tiden for snoozefunksjonen er 5 minutter, men den kan endres. Valgene er 5–10–15–20–25–30 minutter.

1. Trykk på [MENU].
2. Drei multifunksjonsknappen (1) til **Snooze Time**.
3. Trykk på multifunksjonsknappen for å bekrefte.
4. Drei på multifunksjonsknappen (1) for å velge ønsket snoozetid: 5–10–15–20–25–30 minutter.
5. Trykk på multifunksjonsknappen for å bekrefte.

8.4 Skru av alarmen permanent

1. Trykk på [MODE] (6) gjentatte ganger til «Alarm» vises. Trykk på multifunksjonsknappen (1) for å bekrefte.
2. Drei multifunksjonsknappen (1) for å velge enten **Alarm 1** eller **Alarm 2**. Trykk på multifunksjonsknappen for å bekrefte.
3. Velg **OFF** og trykk på multifunksjonsknappen for å stenge alarmen.
4. Trykk på multifunksjonsknappen for å bekrefte.

9. Reset - stille radioen tilbake til fabrikkinnstillingene

1. Trykk på [MENU] (6).
2. Drei på multifunksjonsknappen (1) for å skrolle til **Factory Reset**. Trykk på multifunksjonsknappen for å bekrefte.
3. Velg **NO** (nei) eller **Yes** (ja) med multifunksjonsknappen.
4. Når innstillingen fullført trykkes multifunksjonsknappen inn for å bekrefte. Displayet viser «Restarting...».

Obs! Alle forhåndsinnstilte stasjoner forsvinner når radioen resettes, se nedenfor.

10. Stell og vedlikehold

Rengjør produktet med en myk, tørr klut. Bruk aldri slipende rengjøringsmidler eller sterke løsemidler.

11. Feilsøking

Dårlige mottaksforhold for radio

- Trekk antennen helt ut.
- Flytt på radioen. Husk å foreta et nytt stasjonssøk etter flyttingen.
- Kontroller at det ikke er noen elektriske produkter som mikrobølgeovn, lysrør etc. i nærheten. De kan være årsak til forstyrrelser.

Ingen lyd

- Kontroller voluminnstillingen på radioen.
- Kontroller at strømbryteren er innstilt på **ON** og at batterieliminatoren er riktig koblet.
- Forsøk med å skifte til en annen kanal.

Funksjonsknappene virker ikke

- Kontroller at strømbryteren er innstilt på **ON** og at batterieliminatoren er riktig koblet.
- Skru av radioen og trekk ut batterieliminatoren. Vent i ca. ett minutt. Deretter kobles batterieliminatoren til radioen og strømuttaket igjen.
- Still radioen tilbake til fabrikkinnstillingene se: *Reset - stille radioen tilbake til fabrikkinnstillingene.*

Kontroller radioens software

Sjekk dette før du ringer kundeservice, hvis du har problemer.

1. Trykk på [MENU] (6).
2. Drei på multifunksjonsknappen (1) for å skrolle til **SW version**. Trykk på multifunksjonsknappen for å bekrefte. Versjonen på Softwaren vises på skjermen.
3. Trykk på multifunksjonsknappen for å bekrefte og å gå tilbake.

12. Avfallshåndtering

Når produktet skal kasseres, må det skje i henhold til lokale forskrifter. Hvis du er usikker, ta kontakt med kommunen din.

13. Spesifikasjoner

Batterieliminatorens innspenning	100–240 V, 50/60 Hz
Batterieliminatorens utspenning	5 V/1 A
Frekvensområde	DAB bånd III og FM PLL radio Band III 174–240 MHz FM 87,5–108 MHz
Uteffekt, høyttalere	3 W
LCD-display	Display/skjerm med bakgrunnslys
AUX-tilkobling	3,5 mm
Batteritype	4 × AA/LR6-batterier (selges separat)
Mål	18 × 11 × 10 cm

DAB/UKW-Radio

Art.Nr. 18-8377/78/79
38-5850/51/52

Modell EXIBEL DX25
EXIBEL DX25

Vor Inbetriebnahme die komplette Bedienungsanleitung durchlesen und aufbewahren. Irrtümer, Abweichungen und Änderungen behalten wir uns vor. Bei technischen Problemen oder anderen Fragen freut sich unser Kundenservice über eine Kontaktaufnahme (Kontakt siehe Rückseite).

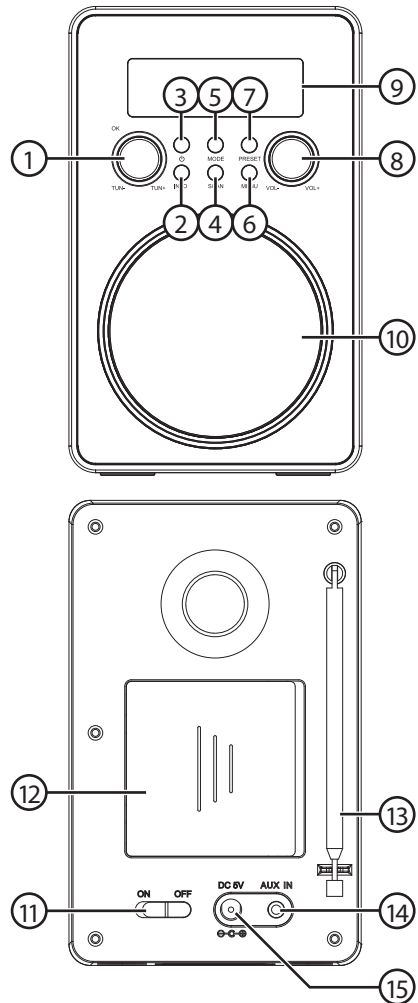
1. Sicherheitshinweise

- Das Gerät nicht demontieren oder technisch verändern. Im Inneren des Produktes befinden sich nicht isolierte Komponenten mit gefährlicher Stromspannung. Bei Kontakt können diese zu Bränden oder Stromschlägen führen.
- Das Gerät ist nur für die Verwendung in Innenräumen geeignet.
- Das Gerät niemals sehr hohen oder niedrigen Temperaturen, staubiger Umgebung, starken Erschütterungen, Flüssigkeiten oder Feuchtigkeit aussetzen.
- Das Gerät immer so aufstellen, dass es nicht in Wasser oder andere Flüssigkeiten fallen kann. Niemals Gegenstände mit Flüssigkeiten (z.B. Blumenvasen oder Getränke) auf das Produkt stellen.
- Das Gerät nicht zudecken. Sicherstellen, dass auf allen Seiten mindestens 10 cm Platz für eine ausreichende Belüftung ist.
- Der Stromfluss zum Gerät wird erst unterbrochen, wenn der Netzstecker gezogen ist.
- Gehörschäden vermeiden. Wird das Gehör über längere Zeit einer hohen Lautstärke ausgesetzt, kann es geschädigt werden.
- Reparaturen nur von qualifizierten Servicetechnikern und mit Originalzubehör durchführen lassen.
- Das Gerät weder demontieren noch auf irgendeine Weise verändern.
- Nur das beiliegende Netzteil verwenden.
- Das Gerät nicht in der Nähe medizinischer Ausrüstung auf der Intensivstation usw. verwenden. Das Gerät nicht in der Nähe von Personen mit Herzschrittmacher etc. betreiben.

2. Beschreibung

Verpackungsinhalt:
DAB/UKW-Radio, Netzteil und
Bedienungsanleitung.

1. Funktionswahlschalter mit mehreren Funktionen.
[OK] (Select/Snooze) Taste drücken um zu bestätigen
[TUN-] Schalter nach links drehen um in der Frequenz oder im Untermenü nach unten zu navigieren
[TUN+] Schalter nach rechts drehen um in der Frequenz oder im Untermenü nach oben zu navigieren
2. [INFO] Information auf dem Display anzeigen
3. [⏻] Drücken, um das Radio ein- oder auszuschalten
4. [SCAN] Sendersuchlauf starten
5. [MODE] Funktion wählen: DAB, UKW oder AUX
6. [MENU] Das gewünschte Menü wählen
7. [PRESET] Gefundene Sender speichern
8. [VOL +/-] Lautstärkeregler
9. Display
10. Lautsprecher
11. [ON-OFF] Ein-/Ausschalter
12. Batterieabdeckung
13. Teleskopantenne
14. AUX IN Anschluss für externe Audioquelle
15. DC 5 V Anschluss für Netzteil



3. Gebrauch

3.1 Aufstellung

Das Gerät auf einer ebenen Fläche im Innenbereich aufstellen, ohne direkte Sonneneinstrahlung, nicht zu nahe an heißen Gegenständen und nicht in feuchten Räumen wie z. B. einem Badezimmer.

3.2 Das Gerät zum ersten Mal einschalten

1. Sicherstellen, dass sich der Ein-/Ausschalter (11) in Position **OFF** befindet.
2. Die Teleskopantenne ausziehen und senkrecht ausrichten. Dies ist wichtig um beim ersten Start den besten Empfang zu erhalten und eine automatische Suche nach DAB- und UKW-Sendern durchzuführen.
3. Das Kabel des Netzteils an DC 5 V (15) an der Rückseite des Gerätes anschließen.
4. Das Netzteil an eine Steckdose anschließen.
5. Um das Radio in den Standby-Modus zu versetzen, den Ein-/Ausschalter (11) auf **ON** stellen. Auf dem Display wird „Welcome to Digital Radio“ angezeigt.
6. [⏻] (3) betätigen, um das Radio einzuschalten. Das Gerät startet automatisch die Suche nach DAB-Radiosendern. Auf dem Display wird „Full Scanning“ angezeigt und eine Verlaufsanzeige informiert über die laufende Suche und die Anzahl der gefundenen Sender. Nach abgeschlossener Suche spielt das Radio den ersten der gefundenen Sender ab. Wurden keine DAB-Sender gefunden, wird „NO DAB Station“ angezeigt.
7. Alle gefundenen DAB-Sender werden gespeichert, sodass beim erneuten Einschalten des Gerätes keine neue Suche gestartet wird. Um manuell nach Sendern zu suchen, im DAB-Modus auf [SCAN] (4) drücken.

Ein- und Ausschalten des Radios

Ab jetzt kann [⏻] (3) benutzt werden um das Gerät ein- bzw. auszuschalten.

3.3 Einstellung von Zeit und Datum

Automatische Einstellung

Bei der ersten Benutzung des DAB-Radios werden Zeit und Datum automatisch mit 24-Stunden-Anzeige und Sommerzeit synchronisiert (gilt nur bei vorhandenem DAB-Empfang).

Manuelle Einstellung

Grundeinstellung

1. Die [MENU]-Taste drücken, auf dem Display „Alarm“ erscheint.
2. Den Funktionswahlschalter (1) nach rechts drehen bis **Time** angezeigt wird. Zum Bestätigen auf den Funktionswahlschalter (1) drücken.
3. Auf dem Display wird „Set 12/24 hour“ angezeigt. Zum Bestätigen auf den Funktionswahlschalter (1) drücken.
4. Auf dem Display wird „Set 12/24 hour“ angezeigt.
5. Den Funktionswahlschalter (1) drehen um **Set 12 hour** oder **Set 24 hour** auszuwählen. Zum Bestätigen auf den Funktionswahlschalter (1) drücken.

Einstellung der Uhrzeit

1. Den Funktionswahlschalter (1) nach rechts drehen bis **Set Time/Date** angezeigt wird. Zum Bestätigen auf den Funktionswahlschalter (1) drücken.
2. Auf dem Display wird „Set time“ angezeigt und die Ziffern für die Zeiteingabe blinken. Den Funktionswahlschalter (1) drehen um die Stunde einzustellen. Zum Bestätigen der Einstellung auf den Funktionswahlschalter (1) drücken. Die Minuten auf die gleiche Weise einstellen. Zum Bestätigen auf den Funktionswahlschalter (1) drücken.

Einstellung des Datums

1. Auf dem Display wird „Set Date“ angezeigt. Tag, Monat und Jahr auf die gleiche Weise einstellen.
2. Ist die Einstellung des Datums fertig, zum Bestätigen den Funktionswahlschalter drücken. Wenn die Einstellung abgespeichert wurde, wird „Time Saved“ angezeigt.

Änderung der Kalenderansicht

1. Auf [MENU] (6) drücken.
2. Den Funktionswahlschalter (1) nach rechts drehen bis **Time** angezeigt wird. Zum Bestätigen auf den Funktionswahlschalter (1) drücken.
3. Den Funktionswahlschalter (1) drehen und **Set date format** auswählen. Zum Bestätigen auf den Funktionswahlschalter (1) drücken. Den Funktionswahlschalter drehen um die Ansicht als **DD-MM-YY** oder als **MM-DD-YY** zu wählen. Zum Bestätigen auf den Funktionswahlschalter (1) drücken.

Die Zeit im DAB-Modus auf dieselbe Weise automatisch aktualisieren (im „Time“-Modus).

Auto update auswählen und dann den Funktionswahlschalter (1) drücken um die Aktualisierung der Zeit automatisch zu starten (gilt nur bei vorhandenem DAB-Empfang).

3.4 Einsetzen von Batterien

1. Sicherstellen, dass der Netzstecker gezogen ist.
2. Zum Abnehmen die Batterieabdeckung in Pfeilrichtung schieben.
3. 4 AA/LR6-Batterien einsetzen (separat erhältlich). Dabei die Markierungen beachten.
4. Die Batterieabdeckung wieder anbringen.

Achtung: Befinden sich keine Batterien im Batteriefach, müssen alle Einstellungen erneut durchgeführt werden, wenn das Netzteil abgezogen wird oder das Gerät mit dem Ein-/Ausschalter abgeschaltet wird.

3.5 Anpassung der Hintergrundbeleuchtung

1. Auf [MENU] (6) drücken.
2. Den Funktionswahlschalter (1) drehen bis **Backlight** angezeigt wird. Zum Bestätigen auf den Funktionswahlschalter drücken.
3. Den Funktionswahlschalter (1) drehen bis die gewünschte Einstellung im Untermenü angezeigt wird. Den Aktivierungscountdown für die Hintergrundbeleuchtung auswählen: **ON** (immer eingeschaltet) bzw. **10, 20, 30, 45, 60, 90, 120** oder **180** Sekunden.
4. Zum Bestätigen der Auswahl auf den Funktionswahlschalter drücken.

4. Auswahl der gewünschten Funktion des Radios

DAB, UKW oder AUX-Eingang (externe Audioquelle) auswählen.
Mehrmals auf [MODE] drücken um zwischen Folgendem auszuwählen.

- **DAB:** DAB-Radio anhören.
- **FM:** UKW-Radio anhören.
- **Auxiliary Input:** eine externe Audioquelle anhören, die an AUX IN (14) angeschlossen ist.

5. DAB-Radio

DAB - Digital Audio Broadcasting

Digitalradio unterscheidet sich vom analogen Radio. Bei der DAB-Übertragung werden die Signale verschiedener Sender gebündelt und auf einer Frequenz gesendet. Diese Gruppen werden als Multiplexes und Ensembles bezeichnet. Sobald eine Gruppe gefunden ist wird der Name im unteren Teil des Displays angezeigt.

Weitere Dienste im DAB-Modus

In manchen Fällen kann nach dem Sendernamen das Symbol „>“ angezeigt werden. Dies bedeutet, dass weitere Dienste verfügbar sind. Dies kann z.B. bei Sportübertragungen ein extra Kommentar oder zusätzliche Information sein.

5.1 DAB-Radio hören

DAB-Modus aktivieren

1. Mehrmals auf [MODE] drücken, bis auf dem Display „DAB mode“ angezeigt wird.
2. Nach dem ersten Einschalten befindet sich das Radio automatisch im DAB-Modus und führt einen Sendersuchlauf durch. Während des Sendersuchlaufs wird auf dem Display „Full Scanning“ und die Anzahl der bereits gefundenen Sender angezeigt.
3. Nach dem Sendersuchlauf wird der Sender mit der niedrigsten Frequenz abgespielt.
4. Wurden keine DAB-Sender gefunden, wird „No DAB Station“ angezeigt.

5.2 Aktivierung der automatischen Suche nach DAB-Sendern

1. Auf [SCAN] (4) drücken um die Suche zu starten oder auf [MENU] (6) drücken und den Funktionswahlschalter (1) drehen bis **Full Scan** angezeigt wird. Zum Bestätigen auf den Funktionswahlschalter drücken.
2. Auf dem Display wird während der Suche „Scanning“ angezeigt.
3. Gefundene Sender werden automatisch gespeichert. Um einen gespeicherten Sender anzuhören, den Funktionswahlschalter (1) bis zum gewünschten Sender drehen. Zum Bestätigen auf den Funktionswahlschalter drücken.

Achtung: Die Suche kann 1 bis 2 Minuten dauern.

5.3 Gefundene DAB-Sender speichern

Das Gerät kann bis zu 10 versch. DAB-Sender speichern. Gespeicherte DAB-Sender überschreiben keine gespeicherten UKW-Sender.

DAB-Sender folgendermaßen speichern (im DAB-Modus):

1. Den gewünschten Sender am Radio einstellen.
2. [Preset] (7) gedrückt halten, auf dem Display wird „Preset Store 1“ (Speicherplatz 1) angezeigt.
3. Den Funktionswahlschalter (1) drehen um den gewünschten Speicherplatz (1–10) zum Speichern des Senders auszuwählen. Befindet sich bereits ein Sender auf Speicherplatz 1 wird dessen Name und Frequenz angezeigt, befindet sich dort kein Sender, wird auf dem Display „Empty“ angezeigt.
4. Zum Bestätigen auf den Funktionswahlschalter drücken.
5. Auf dem Display wird „Preset X stored“ angezeigt um zu bestätigen, dass der Sender auf dem gewählten Platz gespeichert wurde.

Achtung: Befindet sich bereits ein Sender an dieser Stelle, wird dieser von dem neuen Sender überschrieben.

5.4 Navigation zwischen den gefundenen DAB-Sendern

Im DAB-Modus:

1. Auf [Preset] (7) drücken.
2. Auf dem Display werden „Preset Recall 1“ (Speicherplatz 1) sowie der gespeicherte Sendername und Frequenz angezeigt. Wurde noch kein Sender gespeichert, wird „Empty“ auf dem Display angezeigt.
3. Den Funktionswahlschalter (1) drehen um zwischen den gespeicherten Sendern auf Speicherplatz 1–10 zu wählen.
4. Mit dem Funktionswahlschalter bestätigen. **Achtung:** Wenn das Radio den Sender wechselt, kann es kurzzeitig stumm werden.

5.5 DAB Displayinformation

Wiederholt auf [INFO] (2) drücken um die folgende Information auf dem Display anzuzeigen:

- Time/Date – Uhrzeit und Datum (wird automatisch eingestellt).
- Channel/Frequency – Anzeige der Frequenz, z. B. „11C 220.352MHz“.
- Audio Bit Rate: Auf dem Display wird Radiomodus (DAB) und die empfangene digitale Audio-Bit-Rate angezeigt.
- Signal Strength: Die Signalstärke wird grafisch angezeigt.
- DLS (Dynamic Label Segmenting): Text des aktuellen DAB-Senders. Die Information kann Fakten über Lieder etc. enthalten.
- PTY (Programme Type): Anzeige der Programmart der Sendung: „Rock“, „Pop“, „News“ etc. Wenn keine Information verfügbar ist, wird „Programme Type“ angezeigt.
- Multiplex name (group name): Dies ist eine Sammlung von Sendern, die auf der gleichen Frequenz gesendet werden. Es gibt nationale und regionale Multiplexe. Regionale Multiplexe sind für eine Region angepasst.
- Signal error: Zeigt die Signalqualität von 0 bis 99 an. Normalerweise ist es möglich, Sender mit einer Signalqualität > 30 anzuhören.

5.6 Manuelle Suche nach DAB-Sendern (nut im DAB-Modus)

Es ist möglich, einen bestimmten Sender (Frequenz) manuell einzustellen und zur Senderliste hinzuzufügen. Dies ermöglicht z. B. optimalen Empfang für einen bestimmten Sender.

1. Auf [MENU] (6) drücken, um zum Einstellungsmenü zu gelangen.
2. Den Funktionswahlschalter (1) drehen bis „Manual tune“ angezeigt wird. Zum Bestätigen auf den Funktionswahlschalter drücken.
3. Den Funktionswahlschalter (1) drehen bis der gewünschte Sender (Frequenz) angezeigt wird.
4. Den Funktionswahlschalter drücken. In der zweiten Reihe des Display wird ein Rechteck angezeigt. Das Rechteck steht für die Empfangsqualität (bei besserer Empfangsqualität wird das Rechteck weiter nach rechts gefüllt).
5. Die Ausrichtung der Antenne für besten Empfang einstellen.
6. Zum Bestätigen auf den Funktionswahlschalter drücken.

6. UKW-Radio

- Die Teleskopantenne ausziehen und senkrecht ausrichten. Dies ist wichtig um bei der Suche nach UKW-Sendern den besten Empfang zu garantieren.
- Wird das Radio angeschaltet startet es vor dem Ausschalten das zuletzt aktive Programm.
- Im UKW-Modus kann RDS (Radio Data System) empfangen und auf dem Display angezeigt werden. Die RDS-Information wird vom Radiosender gesendet. Dies kann z. B. der Sendername sein, Informationen über das Programm sowie die aktuelle Uhrzeit.

6.1 Aktivierung des UKW-Modus

1. Mehrmals auf [MODE] (5) drücken, bis auf dem Display „FM mode“ angezeigt wird. Die UKW-Frequenz wird angezeigt.
2. Um die Autosuche nach dem nächsten Sender zu aktivieren, [SCAN] (4) drücken und loslassen.
3. Die Suche startet. Auf dem Display wird während der Suche „Scanning...“ angezeigt. Die Suche stoppt automatisch, sobald ein Sender gefunden wurde.
4. Die Frequenz durch Drehen des Funktionswahlschalters (1) präzise einstellen.

6.2 Gefundene UKW-Sender speichern

Das Gerät kann bis zu 10 versch. UKW-Sender speichern. Gespeicherte UKW-Sender überschreiben keine gespeicherten DAB-Sender.

UKW-Sender folgendermaßen speichern:

1. Den gewünschten Sender am Radio einstellen.
2. [Preset] (7) gedrückt halten, auf dem Display wird „Preset Store 1“ (Speicherplatz 1) angezeigt.

3. Den Funktionswahlschalter (1) drehen um den gewünschten Speicherplatz (1–10) zum Speichern des Senders auszuwählen. Befindet sich bereits ein Sender auf Speicherplatz 1 wird dessen Name und Frequenz angezeigt, befindet sich dort kein Sender, wird auf dem Display „Empty“ angezeigt.
4. Zum Bestätigen auf den Funktionswahlschalter drücken.
5. Auf dem Display wird „Preset X stored“ angezeigt um zu bestätigen, dass der Sender auf der gewählten Nummer abgespeichert wurde.

Achtung: Befindet sich bereits ein Sender an dieser Stelle, wird dieser von dem neuen Sender überschrieben.

6.3 Navigation zwischen den gefundenen UKW-Sendern

Im UKW-Modus:

1. Auf [Preset] (7) drücken.
2. Auf dem Display werden „Preset Recall 1“ (Speicherplatz 1) sowie der gespeicherte Sendername und Frequenz angezeigt. Wurde noch kein Sender gespeichert, wird „Empty“ auf Schnellwahl 1 auf dem Display angezeigt.
3. Den Funktionswahlschalter (1) drehen um zwischen den gespeicherten Sendern auf Speicherplatz 1–10 zu wählen.
4. Mit dem Funktionswahlschalter bestätigen. Achtung: Wenn das Radio den Sender wechselt, kann es kurzzeitig stumm werden.
5. Wurde kein UKW-Sender gespeichert, spielt das Radio den zuletzt gewählten Radiosender ab.

6.4 UKW Displayinformation

Wiederholt auf [INFO] (2) drücken um die folgende Information auf dem Display anzuzeigen:

- Uhrzeit.
- Datum.
- RT (radiotext): Durchlaufende Textinformation vom Radiosender
- PTY (Programme Type): Anzeige der Programmart der Sendung: „Rock“, „Pop“, „News“ etc. Wenn keine Information verfügbar ist, wird „Programme Type“ angezeigt.
- Sendernamen.
- Auto (Mono) oder (Stereo): automatischer Wechsel zwischen Mono- und Stereoempfang, aktuelle Einstellung wird angezeigt.

7. AUX-Modus aktivieren (externe Audioquelle)

1. Mehrmals auf [MODE] drücken, bis auf dem Display „Auxiliary Input“ angezeigt wird.
2. Eine externe Audioquelle mit einem geeigneten Kabel an AUX IN (14) anschließen (Buchse für 3,5 mm Klinkenstecker).
3. Die Wiedergabe wird von der externen Audioquelle aus gesteuert. Für optimale Audioqualität die Lautstärke am externen Gerät sowie am Radio einstellen.

8. Alarm

8.1 Einstellen des Weckers

Achtung: Vor dem Einstellen des Weckers sicherstellen, dass das Radio die korrekte Uhrzeit und Datum anzeigt.

1. Mehrmals auf [MENU] (6) drücken, bis „Alarm“ angezeigt wird. Zum Bestätigen auf den Funktionswahlschalter (1) drücken.
2. Den Funktionswahlschalter (1) drehen um **Alarm 1** oder **Alarm 2** auszuwählen. Zum Bestätigen auf den Funktionswahlschalter drücken.
3. **ON** zum Anschalten auswählen (oder **Off** zum Ausschalten). Zum Bestätigen auf den Funktionswahlschalter drücken. Auf dem Display wird „Set alarm time“ angezeigt.
4. Den Funktionswahlschalter (1) drehen um die Stunde der Weckzeit einzustellen. Zum Bestätigen auf den Funktionswahlschalter drücken. Genauso mit den Minuten verfahren.
5. „Mode:“ (Funktion) wird angezeigt.
6. Die gewünschte Weckfunktion wählen: **DAB**, **UKW** oder **Buzzer** (Summer) durch Drehen des Funktionswahlschalters (1).
7. Zum Bestätigen der Auswahl auf den Funktionswahlschalter drücken.
8. „Days:“ Wochentage, an denen der Wecker aktiv ist wird angezeigt.
9. Die gewünschte Wiederholung durch Drehen des Funktionswahlschalters (1) auswählen: once (einmal), daily (täglich), weekdays (Mo bis Fr) oder weekends (Wochenende).
10. Zum Bestätigen der Auswahl auf den Funktionswahlschalter drücken.
11. „Alarm volume“ (Weckerlautstärke) wird angezeigt.
12. Die gewünschte Weckerlautstärke durch Drehen des Funktionswahlschalters (1) einstellen. Die Lautstärke wird grafisch angezeigt.
13. Zum Bestätigen der Einstellungen auf den Funktionswahlschalter drücken.
14. „Alarm saved“ wird angezeigt. Die Weckereinstellungen sind gespeichert.
Das Symbol  wird im Standby-Modus auf dem Display angezeigt.

Achtung: Wurde DAB oder UKW als Wecksignal ausgewählt, wird der zuletzt gewählte Sender gespielt (Last listened) wenn der Wecker klingelt.

8.2 Ausschalten des Weckers

Auf [] (3) drücken wenn der Wecker klingelt. Auf dem Display wird „Alarm off“ angezeigt und das Radio wird in den Standby-Modus versetzt.

Alternative:

8.3 Snooze

Die Snooze-Funktion aktivieren, wenn der Wecker klingelt. Die voreingestellte Zeitspanne der Schlämmerfunktion sind 5 Minuten, dies kann jedoch geändert werden: 5–10–15–20–25–30 Minuten.

1. Auf [MENU] drücken.
2. Den Funktionswahlschalter (1) auf „Snooze Time“ drehen.
3. Zum Bestätigen auf den Funktionswahlschalter drücken.
4. Zum Auswählen der gewünschten Snooze-Zeitspanne den Funktionswahlschalter (1) drehen: 5–10–15–20–25–30 Minuten.
5. Zum Bestätigen auf den Funktionswahlschalter drücken.

8.4 Permanentes Ausschalten des Weckers

1. Mehrmals auf [MENU] (6) drücken, bis „Alarm“ angezeigt wird. Zum Bestätigen auf den Funktionswahlschalter (1) drücken.
2. Den Funktionswahlschalter (1) drehen um **Alarm 1** oder **Alarm 2** auszuwählen. Zum Bestätigen auf den Funktionswahlschalter drücken.
3. **Off** auswählen und den Funktionswahlschalter drücken um den Wecker abzuschalten.
4. Zum Bestätigen auf den Funktionswahlschalter drücken.

9. RESET - Zurücksetzen auf die Werkseinstellung

1. Auf [MENU] (6) drücken.
2. Den Funktionswahlschalter (1) drehen bis **Factory Reset** angezeigt wird. Zum Bestätigen auf den Funktionswahlschalter drücken.
3. Mit dem Funktionswahlschalter **NO** (nein) oder **YES** (ja) auswählen.
4. Ist die Einstellung fertig, zum Bestätigen den Funktionswahlschalter (1) drücken. Auf dem Display wird währenddessen „Restarting...“ angezeigt.

Achtung: Beim Resetten wird die Favoritenliste geleert, siehe unten.

10. Pflege und Wartung

Das Produkt mit einem trockenen Tuch reinigen. Niemals Lösungsmittel oder scheuernde Reinigungsmittel benutzen.

11. Fehlersuche

Schlechter Radioempfang

- Die Antenne vollständig herausziehen.
- Den Aufstellungsort wechseln. Nach dem Umplatzen einen neuen Sendersuchlauf durchzuführen.
- Sicherstellen, dass keine elektrischen Produkte wie Mikrowelle, Leuchtstoffröhren usw. den Radioempfang stören.

Kein Ton

- Die Lautstärkeeinstellung am Radio überprüfen.
- Sicherstellen, dass der Ein-/Ausschalter in Position **ON** steht und das Netzteil korrekt angeschlossen ist.
- Probeweise einen anderen Sender auswählen.

Die Funktionstasten funktionieren nicht

- Sicherstellen, dass der Ein-/Ausschalter in Position **ON** steht und das Netzteil korrekt angeschlossen ist.
- Das Radio ausschalten, den Netzstecker ziehen und ca. 1 Minute warten. Dann das Netzteil wieder an das Gerät und die Steckdose anschließen.
- Das Radio auf die Werkseinstellung zurücksetzen, siehe *RESET - Zurücksetzen auf die Werkseinstellung*.

Die Software-Version des Radios überprüfen

Diese Information heraussuchen bevor der Kundendienst im Fall von Problemen kontaktiert wird.

1. Auf [MENU] (6) drücken.
2. Den Funktionswahlschalter (1) drehen bis **SW version** angezeigt wird. Zum Bestätigen auf den Funktionswahlschalter drücken. Die installierte Software-Version wird auf dem Display angezeigt.
3. Zum Bestätigen der Auswahl auf den Funktionswahlschalter drücken.

12. Hinweise zur Entsorgung

Bitte das Produkt entsprechend den lokalen Bestimmungen entsorgen. Weitere Informationen sind von der Gemeinde oder den kommunalen Entsorgungsbetrieben erhältlich.

13. Technische Daten

Netzteil Eingangsspannung	100–240 V AC, 50/60 Hz
Netzteil Ausgangsspannung	5 V DC, 1 A
Frequenzbereich	DAB Band III und UKW PLL Radio Band III 174–240 Mhz UKW 87,5–108 MHz
Ausgangsleistung Lautsprecher	3 W
LCD-Display	Display mit Hintergrundbeleuchtung
AUX-Anschluss	3,5 mm
Batterien	4 × AA/LR6-Batterien (separat erhältlich)
Abmessungen	18 × 11 × 10 cm

Declaration of Conformity

EG-försäkran om överensstämmelse / Egenerklæring / EY-vaatimustenmukaisuusvakuutus / EG-konformitaterklæring



This declaration of conformity is issued under the sole responsibility of the manufacturer.

Denna EG-försäkran om överensstämmelse utfärdas på tillverkarens eget ansvar. / Egenerklæringen er utstedt under produsentens eget ansvar. / Tämä vaatimustenmukaisuusvakuutus on annettu valmistajan yksinomaisella vastuulla. / Die alleinige Verantwortung für die Ausstellung dieser Konformitätserklärung trägt der Hersteller.

DAB/FM Radio
18-8377/18-8378/18-8379/38-5850/38-5851/38-5852
EXIBEL DX25

has been manufactured in full compliance with the requirements of the RE-directive 2014/53/EU and relevant harmonized standards

har tilverkåts i full överensstämmelse med kraven i 2014/53/EU och relevanta harmoniserade standarder / har blitt produsert i full overensstemmelse med kravene i 2014/53/EU og relevante harmoniserte standarder / on valmistettu noudattaen kokonaisuudessaan koskevan direktiivin 2014/53/EU ja asiaankuuluvat yhdenmukaistetut standardit / hat in voller Übereinstimmung mit den Anforderungen der 2014/53/EU und einschlägigen harmonisierten Normen hergestellt wurde.

Reference to harmonized standards used, or reference to the specifications in which declaration of conformity is declared:

Hänvisning till de harmoniserade standarder som använts eller hänvisningar till de specifikationer som försäkran om överensstämmelse deklarerar: / Referere til harmoniserte standarder som brukes, eller henvisninger til spesifikasjonene der samsvarserklæring er erklært: / Viittaus yhdenmukaistettuihin standardeihin tai viittaus eritelmiin, jossa vaatimustenmukaisuusvakuutus on julistettu: / Referenz verwendet harmonisierten Normen oder Bezugnahme auf die Spezifikationen, in der Konformitätserklärung wird erklart:

Article 3.1a (Health): EN 62479

Article 3.1a (Safety): EN 60065

Article 3.1b (EMC): EN 301489-1
EN 301489-9

Article 3.2 (Radio): EN 303345

Signed for and on behalf of:

Henrik Alfredsson
Technical Manager
Insjön, Sweden, 2017-07-04

CLAS OHLSON AB, SE-793 85 INSJÖN, SWEDEN

SVERIGE

KUNDTJÄNST tel: 0247/445 00
fax: 0247/445 09
e-post: kundservice@clasohlson.se

INTERNET www.clasohlson.se

BREV Clas Ohlson AB, 793 85 INSJÖN

NORGE

KUNDESENTER tlf.: 23 21 40 00
faks: 23 21 40 80
e-post: kundesenter@clasohlson.no

INTERNETT www.clasohlson.no

POST Clas Ohlson AS, Postboks 485 Sentrum, 0105 OSLO

SUOMI

ASIAKASPVELU puh.: 020 111 2222
sähköposti: asiakaspalvelu@clasohlson.fi

INTERNET www.clasohlson.fi

OSOITE Clas Ohlson Oy, Kaivokatu 10 B, 00100 HELSINKI

GREAT BRITAIN

CUSTOMER SERVICE contact number: 020 8247 9300
e-mail: customerservice@clasohlson.co.uk

INTERNET www.clasohlson.co.uk

POSTAL 10 – 13 Market Place
Kingston Upon Thames
Surrey
KT1 1JZ

DEUTSCHLAND

KUNDENSERVICE Hotline: 040 2999 78111
E-Mail: kundenservice@clasohlson.de

Homepage www.clasohlson.de

Postanschrift Clas Ohlson GmbH, Jungfernstieg 38,
20354 Hamburg