

40-9926

**Cocraft**<sup>®</sup>  
PRO EDITION

MULTI-TOOL 300 W

**PRO MC300-T**

MULTIVERKTYG      MULTIVERKTØY  
MONITOIMITYÖKALU      MULTIWERKZEUG



**Important!**

Read the entire instruction manual carefully and make sure that you fully understand it before you use the equipment. Keep the manual for future reference.

**Viktig informasjon:**

Läs hela bruksanvisningen noggrant och försäkra dig om att du har förstått den innan du använder utrustningen. Spara bruksanvisningen för framtida bruk.

**Viktig informasjon:**

Les disse anvisningene nøye og forsikre deg om at du forstår dem, før du tar produktet i bruk. Ta vare på anvisningene for seinere bruk.

**Tärkeää tietoa:**

Lue nämä ohjeet huolellisesti ja varmista että olet ymmärtänyt ne, ennen kuin alat käyttää laitetta. Säilytä ohjeet myöhempää tarvetta varten.

**Wichtiger Hinweis:**

Vor Inbetriebnahme die komplette Bedienungsanleitung sorgfältig durchlesen und aufbewahren.



**Art.no**  
40-9926

**Model**  
PMF300S.1

Ver. 20170131  
Original instructions  
Bruksanvisning i original  
Originalbruksanvisning  
Alkuperäinen käyttöohje  
Original Bedienungsanleitung

ENGLISH

SVENSKA

NORSK

SUOMI

DEUTSCH



# Multi-Tool

Art.no 40-9926 Model PMF300S.1

Please read the entire instruction manual before using the product and then save it for future reference. We reserve the right for any errors in text or images and any necessary changes made to technical data. In the event of technical problems or other queries, please contact our Customer Services (see address details on the back).

## Safety

### General safety instructions for power tools

**Warning!** Read all the instructions. Failure to adhere to the following instructions may lead to electric shocks, fires and/or serious injury. The term “power tools” in the warning text below refers to your handheld mains operated or battery operated tool.

#### SAVE THESE INSTRUCTIONS.

##### 1) Work area

- a) **Keep the work area clean and well illuminated.** Cluttered and poorly lit areas invite accidents.
- b) **Do not use power tools in explosive environments, e.g. near to flammable liquids, gases or dust.** Power tools generate sparks that can easily ignite dust or fumes.
- c) **Keep children and other bystanders away from the area where you are using the power tool.** Distractions can cause you to lose your concentration and control.

##### 2) Electrical safety

- a) **The power tool's plug must fit correctly into the wall socket. Never modify the plug in any way. Never use an adaptor together with earthed power tools.** Unmodified plugs and suitable wall sockets minimize the risk of electric shocks.
- b) **Avoid physical contact with earthed objects such as pipes, radiators, ovens and refrigerators.** There is an increased risk of receiving an electrical shock if your body is earthed.
- c) **Do not expose the power tool to rain or other wet conditions.** If water gets inside it increases the risk of electric shock.
- d) **Do not abuse the mains lead. Never use the lead to carry the tool or pull the plug from a wall socket. Keep the lead away from heat, oil, sharp edges and moving parts.** Damaged or tangled leads increase the risk of electric shock.
- e) **When using power tools outdoors, use an extension lead that is suitable for this purpose.** The use of an extension lead designed for outdoor use decreases the risk of electric shocks.
- f) **If the use of the power tool in a wet environment is unavoidable, a wall socket equipped with a residual current device (RCD) should be used.** Using an RCD significantly reduces the chances of you receiving an electric shock.

### 3) *Personal safety*

- a) **Pay attention to what you are doing and use common sense when using power tools. Never use power tools if you are tired or under the influence of drugs, alcohol or medication.** One moment of inattention while using a power tool may result in a serious injury.
- b) **Wear protective clothing. Always wear safety glasses.** Using protective clothing such as dust masks, non-slip safety shoes, helmets and ear defenders decreases the risk of injury.
- c) **Avoid accidental starts. Make sure that the power switch is set to OFF before plugging the power tool into a wall socket, fitting the battery or picking up/ carrying the power tool.** Carrying a power tool with your finger on the power switch/trigger or connecting the power tool to a wall socket when the power switch is set to ON is inviting an accident.
- d) **Remove all service tools/keys before switching on the power tool.** A service tool left on any moving part of the power tool may result in injury.
- e) **Do not overreach. Make sure you stand steady and well balanced at all times.** This ensures better control over the power tool in unexpected situations.
- f) **Wear suitable clothing. Do not wear loose-fitting clothing or jewellery. Keep hair, clothes and gloves away from moving parts.** Loose-fitting clothes, jewellery or long hair could become caught in moving parts.
- g) **If equipment for dust extraction or collecting is available make sure it is connected and used properly.** Using technical aids may decrease dust related hazards.

### 4) *Use and maintenance of the power tool*

- a) **Do not force the power tool. Use a power tool suitable for the work you are about to perform.** The proper power tool will perform the task better and safer if used at the correct feed rate.
- b) **Never use the power tool if the power switch does not switch the tool on and off properly.** All power tools that cannot be controlled by the power switch are dangerous and must be repaired.
- c) **Unplug the lead from the wall socket or remove the battery before making any adjustments, changing accessories or storing the power tool.** These precautions reduce the risk of the power tool starting unexpectedly.
- d) **Store power tools that are not being used out of children's reach. Do not allow people who are unfamiliar with the tool or its functions to operate the tool.** Power tools can be dangerous if they fall into the hands of inexperienced users.
- e) **Maintaining power tools. Check for any incorrect settings, parts that catch, broken parts or anything else which may cause the power tool to malfunction. If something is damaged it must be repaired before use.** Many accidents are caused by poorly maintained power tools.

- f) **Keep cutting tools sharp and clean.** Properly maintained cutting tools with sharp blades are less likely to jam and are easier to control.
- g) **Use the power tool, and any accessories in accordance with these instructions, take into consideration the working conditions and the work that is to be performed.** Using the power tool for a purpose other than that for which it is intended could result in a dangerous situation.

## 5) Service

- a) **Repairs and service should only be performed by qualified tradesmen, and only with original spare parts.** This guarantees that the safety of the power tool is maintained.

## Specific safety warnings for multi-tools

- **This electric hand tool is intended for sawing, sanding, polishing and cutting. Read all safety warnings, instructions, illustrations, and specifications provided with this tool.** Neglecting to follow all of the instructions listed below can result in electric shock, fire and/or serious injury.
- **Do not use accessories which are not intended to be used with this tool and which are not recommended by the manufacturer.** Even if the accessory can be attached to your power tool, there is no guarantee that it can be used safely.
- **Wear personal protective equipment. Depending on how you use the machine; use a visor/face protection or safety glasses. If necessary use a mask, ear protection, gloves, and apron/work clothing to protect you from small shards of metal or splinters from the work object. The eye protection you use must be able to protect against flying debris produced in different working positions. The breathing protection should be able to filter any particles produced by the work.** Prolonged exposure to high levels of noise can result in hearing damage.
- **Keep children at a safe distance from the work area. Everyone who visits the place of work must wear personal protective equipment.** Debris from the workpiece or from a damaged accessory can fly off and injure people outside of the immediate work area.
- **Only hold the power tool by its insulated gripping surfaces when working in situations where the tool could cut through hidden cables or its own mains lead.** Tools which come in contact with a live cable can electrify metal parts of the power tool and subject the user to an electric shock.
- **Regularly clean the motor's ventilation ports.** The motor's fan pulls in dust, which gets inside the outer casing and a build up of this collected metal dust can lead to electrical dangers.
- **Do not use the power tool near flammable material.** Sparks can easily ignite flammable material.
- **Do not use accessories, which require liquid coolants.** The use of water or other liquid coolants can result in electric shock or electrocution.

## Specific safety instructions for sanding

- **Extra caution should be taken when sanding lead paint, wood, metal or other materials which produce toxic dust.** Make sure any bystanders in the work area are well protected.
- **Remember that dust caused by sanding can be very flammable when mixed with air.**

## Safety instructions specific for cutting

- **Hold power tool by its insulated gripping surfaces when performing an operation in where the cutting accessory may contact hidden wiring or its own cord could cut through hidden cables or its own cord.** Cutting accessory contacting a “live” wire may make exposed metal parts of the power tool “live” and could give the operator an electric shock.
- **Always wear a dust mask.**

## Vibration

- The measurement of the vibration emission level declared in this instruction manual has been carried out in accordance with a standardised test method described in EN 60745 and can be used for comparing one power tool with another.
- The measurement method may also be used for a preliminary assessment of vibration exposure.
- The declared vibration emission level applies when the power tool is used in accordance with this instruction manual. If however, the power tool is used for other purposes and with other accessories or has not been properly maintained, the vibration emission level could increase significantly over the total working period.
- For an exact assessment of the vibration exposure, the times when the tool is switched off or running idle should also be taken into account. This significantly reduces the vibration exposure over the total working period. Decide upon safety measures to protect the operator from the effects of vibration during all types of use.

## Product safety symbols

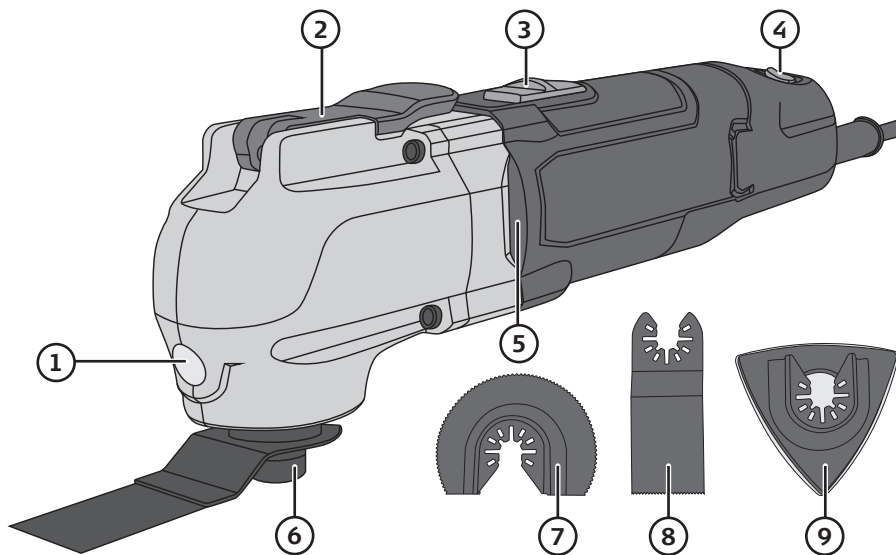


Read the entire instruction manual.



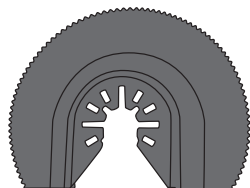
Always use ear defenders, respiratory protection and safety glasses or a visor.

## Product description



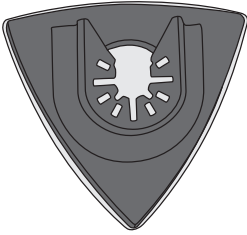
1. LED work light
2. Quick-release lever
3. [I/O] On/off switch
4. Speed selector
5. Ventilation ports (one on each side)
6. Accessories retainer with bolt
7. Segment saw blade HSS
8. Bi-metallic plunge cutter blade
9. Delta sanding plate

## Supplied accessories



### *Segment saw blade HSS*

Oscillating saw blade for cutting-off/parting-off. This tool is ideal for sawing in those hard-to-reach places such as in corners when laying floors or skirting boards.



### *Delta sanding plate*

Perfect for sanding those hard-to-reach places, such as corners. Changing the grade of sandpaper used allows you to sand wood, stone, paint and so forth.



### *Plunge-cutter saw blade*

Ideal for deep incisions in wood, e.g. cutting holes for fitting air vents. Can also be used for sawing in confined spaces. This saw blade can even saw through nails.

### *Extra accessories*

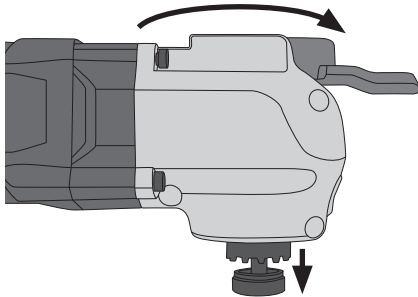
The Cocraft range includes several other accessories compatible with this multi-tool, amongst others:

- Metal cutting blade
- Saw blades and sanding pads for cement, wall tiles and plastic.
- Various sandpaper types.

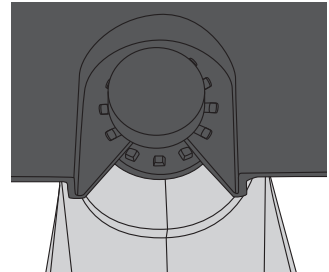
## Operating instructions

### Fitting and changing accessories

**Note:** Always pull the plug out of the wall socket before mounting and changing accessories.

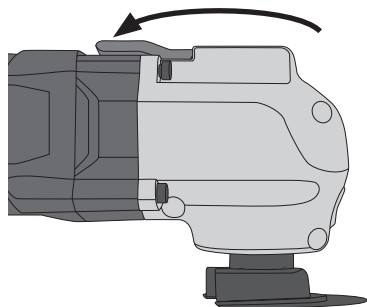


1. Flip the quick-release lever to its fully extended open position and pull the accessories bolt out enough to give the accessory clearance to slot into place.

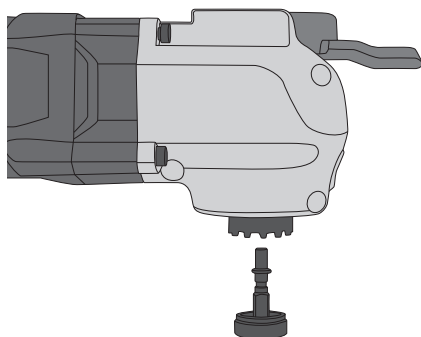


2. Fit the accessory onto the accessories retainer, making sure that the accessory's holes are securely fastened onto the retainer's fastening pins.





3. Press the accessory flush onto the retainer and flip the quick-release lever back to its locked and closed position.



4. Remove the accessories bolt completely for accessories that do not have an open end and cannot be slotted onto the retainer.
5. Mount the accessory as described above, refit the bolt and flip the quick-release lever back into the locked position. **Note:** The bolt has a square end that must line up with the retainer's bolt slot in order for the bolt to fasten securely and correctly.

## Changing sanding sheets

The sanding sheets are attached with hook and loop fasteners. Remove the old sanding sheet, brush off the hook and loop fabric on the sanding pad if necessary, and then attach the new sanding sheet.

## Turn on the multi-tool

1. Make sure that the power switch (3) is set to **0** (off) before plugging the multi-tool's mains lead into a wall socket.
2. Start the multi-tool by sliding the power switch to the **I** position (on).

## Select the required speed

The speed can be adjusted during use using the speed selector (4). The speed selected should be appropriate for the type of work being carried out and the type of material being worked on. Experiment until you find the best speed setting. The multi-tool is equipped with constant electronics which allows it to keep to the set speed setting even under load.

## Cutting and sawing

Caution should be observed when using the saw blades. Check the working area so that you are prepared for any nails, screws or anything else which could cause you to lose control over the multi-tool. If you are cutting wall tiles, bear in mind that the saw blade will be subjected to hard wear during prolonged use.

## Sanding

- Always use undamaged sandpaper and change it often. This will not only give you better results but also prolong the life of your multi-tool.
- Do not use excessive force when sanding, apply a constant, light pressure. Applying too much pressure will not speed up the sanding process; it will merely wear out the sandpaper and the multi-tool more quickly.
- When sanding wood, do not use sanding sheets which have previously been used for metal.

## Care and maintenance

- If the mains lead is damaged it must only be replaced by a qualified electrician.
- Keep the motor ventilation openings (5) free from contaminants.
- Clean the multi-tool using a damp cloth. Use only mild cleaning agents, never solvents or corrosive chemicals.
- If the mains lead is damaged it should only be replaced by a qualified electrician.
- If the multi-tool is not to be used for an extended period, it should be unplugged and stored in a dry and dust-free location out of reach of children.

## Troubleshooting guide

The multi-tool will not start.	<ul style="list-style-type: none"> <li>• Make sure the mains lead is undamaged and securely connected to the wall socket.</li> <li>• Check that the wall socket is live.</li> </ul>
The motor runs slowly.	<ul style="list-style-type: none"> <li>• Worn/damaged accessory. Replace the accessory with a new one.</li> <li>• Speed set too low for the task. Increase the speed setting.</li> </ul>
The machine vibrates or emits abnormal noises.	<ul style="list-style-type: none"> <li>• Check that the accessory is fitted correctly and that the multi-tool is undamaged.</li> </ul>

## Responsible disposal

This symbol indicates that this product should not be disposed of with general household waste. This applies throughout the entire EU. In order to prevent any harm to the environment or health hazards caused by incorrect waste disposal, the product must be handed in for recycling so that the material can be disposed of in a responsible manner. When recycling your product, take it to your local collection facility or contact the place of purchase. They will ensure that the product is disposed of in an environmentally sound manner.



## Specifications

<b>Rated voltage</b>	230–240 V AC, 50 Hz
<b>No-load speed</b>	11 000–20 000 rpm
<b>Oscillation angle</b>	3.2°
<b>Power output</b>	300 W
<b>Noise level</b>	L <sub>pA</sub> 83 dB(A), K: 3 dB L <sub>wA</sub> 94 dB(A), K: 3 dB Always wear ear protectors/defenders for noise levels exceeding 80 dB(A)
<b>Vibration</b>	a <sub>n</sub> 3.45 m/s <sup>2</sup> , K: 1.5 m/s <sup>2</sup>
<b>Weight</b>	1.5 kg

# Multiverktyg

Art.nr 40-9926 Modell PMF300S.1

Läs igenom hela bruksanvisningen före användning och spara den sedan för framtida bruk. Vi reserverar oss för ev. text- och bildfel samt ändringar av tekniska data. Vid tekniska problem eller andra frågor, kontakta vår kundtjänst (se adressuppgifter på baksidan).

## Säkerhet

### Generella säkerhetsinstruktioner för elektriska handverktyg

**Varning!** Läs alla instruktioner. Om nedanstående instruktioner inte följs kan detta leda till elektrisk stöt, brand och/eller allvarlig skada. Termen "elektriskt handverktyg" i varnings-texten nedan refererar till ditt nätslutna eller batteridrivna handverktyg.

### SPARA DESSA INSTRUKTIONER!

#### 1) Arbetsutrymmet

- a) **Håll arbetsutrymmet rent och väl upplyst.** Belamrade och mörka utrymmen inbjuder till olyckor.
- b) **Använd inte elektriska handverktyg i explosiva miljöer, som i närheten av lättantändliga vätskor, gaser eller damm.** Elektriska handverktyg genererar gnistor som kan antända damm eller ångor.
- c) **Håll undan barn och åskådare medan du använder det elektriska handverktyget.** Störningsmoment kan göra att du tappar kontrollen.

#### 2) Elektrisk säkerhet

- a) **Det elektriska handverktygets stickpropp måste passa i vägguttaget. Modifiera aldrig stickproppen på något vis. Använd aldrig adapter tillsammans med jordade elektriska handverktyg.** Omodifierade stickproppar och passande vägguttag minskar risken för elektrisk stöt.
- b) **Undvik kroppskontakt med jordade föremål, t.ex. rör, element, köksspis och kylskåp.** Det innebär ökad risk för elektrisk stöt om din kropp är jordad.
- c) **Utsätt inte det elektriska handverktyget för regn eller våta förhållanden.** Om vatten tränger in i ett elektriskt handverktyg ökar det risken för elektrisk stöt.
- d) **Misshandla inte nätsladden. Använd aldrig nätsladden för att bära, dra eller rycka stickproppen ur vägguttaget. Håll nätsladden undan från värme, olja, vassa kanter och rörliga delar.** Skadade eller trassliga nätsladdar ökar risken för elektrisk stöt.
- e) **När du använder ett elektriskt handverktyg utomhus, använd en skarvsladd anpassad för detta ändamål.** Användning av en skarvsladd för utomhusbruk minskar risken för elektrisk stöt.

- f) Om det inte går att undvika att det elektriska handverktyget används i fuktig miljö, använd ett vägguttag utrustat med jordfelsbrytare. Användning av jordfelsbrytare minskar risken för elektrisk stöt.

### 3) Personlig säkerhet

- a) **Var uppmärksam på vad du gör och använd sunt förnuft när du använder ett elektriskt handverktyg. Använd inte ett elektriskt handverktyg om du är trött eller påverkad av droger, alkohol eller medicinering.** Ett ögonblicks ouppmärksamhet när du använder ett elektriskt handverktyg kan resultera i allvarlig personskada.
- b) **Använd skyddsutrustning. Bär alltid skyddsglasögon.** Att vid behov använda skyddsutrustning, t.ex. andningsskydd, halssäkra skyddsskor, hjälm och hörselskydd minskar risken för personskada.
- c) **Undvik oavsiktlig start. Se till att strömbrytaren är i läge OFF innan du ansluter stickproppen till vägguttaget, ansluter batteriet eller lyfter upp/bär det elektriska handverktyget.** Att bära ett elektriskt handverktyg med ett finger på strömbrytaren/avtryckaren eller att ansluta ett elektriskt handverktyg till elnätet när strömbrytaren är i läge ON inbjuder till olyckor.
- d) **Ta bort alla serviceverktyg/nycklar innan du slår på det elektriska handverktyget.** Ett kvarglömt serviceverktyg på en roterande del av det elektriska handverktyget kan resultera i personskada.
- e) **Sträck dig inte för långt. Se till att du står stadigt med god balans hela tiden.** Detta möjliggör bättre kontroll över det elektriska handverktyget i oväntade situationer.
- f) **Bär lämplig klädsel. Bär inte löst sittande kläder eller smycken. Håll hår, kläder och handskar undan från rörliga delar.** Lösa kläder, smycken och långt hår kan fastna i rörliga delar.
- g) **Om utrustning för utsugning och uppsamling av damm finns tillgänglig, se till att denna är ansluten och används på ett korrekt sätt.** Användning av dessa hjälpmedel kan minska dammrelaterade faror.

### 4) Användning och underhåll av det elektriska handverktyget

- a) **Pressa inte det elektriska handverktyget. Använd ett elektriskt handverktyg som är avsett för det arbetsmoment du utför.** Korrekt elektriskt handverktyg gör jobbet bättre och säkrare med avsedd matningshastighet.
- b) **Använd inte det elektriska handverktyget om strömbrytaren inte slår på och stänger av verktyget.** Alla elektriska handverktyg som inte kan kontrolleras med strömbrytaren är farliga och måste repareras.
- c) **Ta stickproppen ur vägguttaget eller ta ur batteriet innan du utför några justeringar, byter tillbehör eller lägger undan det elektriska handverktyget för förvaring.** Dessa förebyggande skyddsåtgärder minskar risken för att starta det elektriska handverktyget oavsiktligt.
- d) **Förvara elektriska handverktyg som inte används utom räckhåll för barn och låt inte personer som inte är förtrogna med det elektriska handverktyget eller dessa instruktioner använda det.** Elektriska handverktyg är farliga om de kommer i händerna på ovana användare.

- e) **Underhåll elektriska handverktyg.** Kontrollera om något är felinställt, om rörliga delar kärvar, om delar har gått sönder eller om något annat har inträffat som kan påverka funktionen hos det elektriska handverktyget. Om något är skadat måste det repareras före användning. Många olyckor beror på dåligt underhållna elektriska handverktyg.
- f) **Håll skärverktyg vassa och rena.** Ordentligt underhållna skärverktyg med vassa eggjar är mindre benägna att kärva och lättare att kontrollera.
- g) **Använd det elektriska handverktyget, tillbehör etc. enligt dessa instruktioner, ta hänsyn till arbetsförhållanden och till det arbete som ska utföras.** Användning av det elektriska handverktyget för arbeten andra än vad det är ämnat för kan resultera i en farlig situation.

## 5) Service

- a) **Låt behörig personal utföra service och reparationer, och endast med original-reservdelar.** Detta garanterar att säkerheten på det elektriska handverktyget behålls.

## Särskilda säkerhetsvarningar för multiverktyg

- Detta elektriska handverktyg är avsett för sågning, slipning, putsning och kapning. Läs alla säkerhetsvarningar, instruktioner, illustrationer och specifikationer som medföljer detta verktyg. Underlåtelse att följa alla instruktioner nedan kan resultera i elektrisk chock, brand och/eller allvarlig skada.
- **Använd inte tillbehör som inte är speciellt avsedda och rekommenderade av verktygstillverkaren.** Även om tillbehöret kan monteras på ditt elektriska handverktyg är det ingen försäkran om säker användning.
- **Bär personlig skyddsutrustning.** Beroende på hur du använder maskinen, använd ansiktsskydd eller skyddsglasögon. Vid behov, använd ansiktsmask, hörselskydd, handskar och arbetsförkläde som skyddar mot små slippartiklar eller flisor från arbetsstycket. Ögonskyddet ska kunna skydda mot kringflygande skräp som bildas vid olika arbetsmoment. Andningsskyddet ska kunna filtrera partiklar som bildas vid arbetet. Långvarig vistelse i buller kan orsaka hörselskador.
- **Håll åskådare på behörigt avstånd från arbetsplatsen. Alla som besöker arbetsplatsen måste bära personlig skyddsutrustning.** Flisor från arbetsstycket eller från ett trasigt tillbehör kan flyga iväg och orsaka skada utanför arbetets omedelbara närområde.
- **Håll det elektriska handverktyget endast i isolerade greppytor när du utför arbetsmoment där verktyget kan komma i kontakt med gömda kablar eller den egna sladden.** Verktyg som kommer i kontakt med en strömförande kabel kan göra utsatta metalldelar av verktyget strömförande och utsätta användaren för elektriska stötar.
- **Rengör regelbundet motorns ventilationsöppningar.** Motorns fläkt drar åt sig damm som kommer in under höljet, och överflödigt metallspån som ansamlats kan orsaka elektriska faror.

- **Använd inte det elektriska handverktyget i närheten av lättantändliga material.** Gnistor kan antända dessa material.
- **Använd inte tillbehör som kräver kylvätskor.** Användning av vatten eller andra kylvätskor kan resultera i elektrisk chock eller dödande elektrisk stöt.

## Särskilda säkerhetsinstruktioner vid slipning

- **Var extra noggrann vid slipning av färg som kan innehålla bly eller vid slipning av trä, metall eller andra material som kan avge giftigt slipdamm.** Se då också till att personer som vistas på eller i närheten av arbetsplatsen är skyddade.
- **Tänk på att slipdamm kan vara mycket brandfarligt i blandning med luft.**

## Särskilda säkerhetsinstruktioner för kapning

- **Håll endast i det elektriska handverktygets isolerade greppytor när du utför arbetsmoment där skärverktyget kan komma i kontakt med gömda kablar eller den egna sladden.** Skärverktyg som kommer i kontakt med en strömförande kabel kan göra utsatta metalldelar av verktyget strömförande och utsätta användaren för elektriska stötar.
- **Använd alltid andningsskydd.**

## Vibration

- Mätningen av den vibrationsnivå som anges i denna bruksanvisning har utförts enligt en mätmetod som är standardiserad i EN 60745 och kan användas vid jämförelse av olika elektriska handverktyg.
- Mätmetoden är även lämplig för preliminär bedömning av vibrationsbelastningen.
- Den angivna vibrationsnivån gäller när det elektriska handverktyget används på det sätt som beskrivs i den här bruksanvisningen. Om däremot det elektriska handverktyget används för andra ändamål och med andra tillbehör eller inte har underhållits ordentligt kan vibrationsnivån under arbetsperioden öka betydligt.
- För en exakt bedömning av vibrationsbelastningen bör även de tider beaktas när det elektriska handverktyget är frånkopplat eller är igång utan att det används. Detta reducerar vibrationsbelastningen betydligt för den totala arbetsperioden. Bestäm säkerhetsåtgärder för att skydda operatören mot vibrationernas inverkan vid alla typer av användning.

## Produktmärkning med säkerhetssymboler

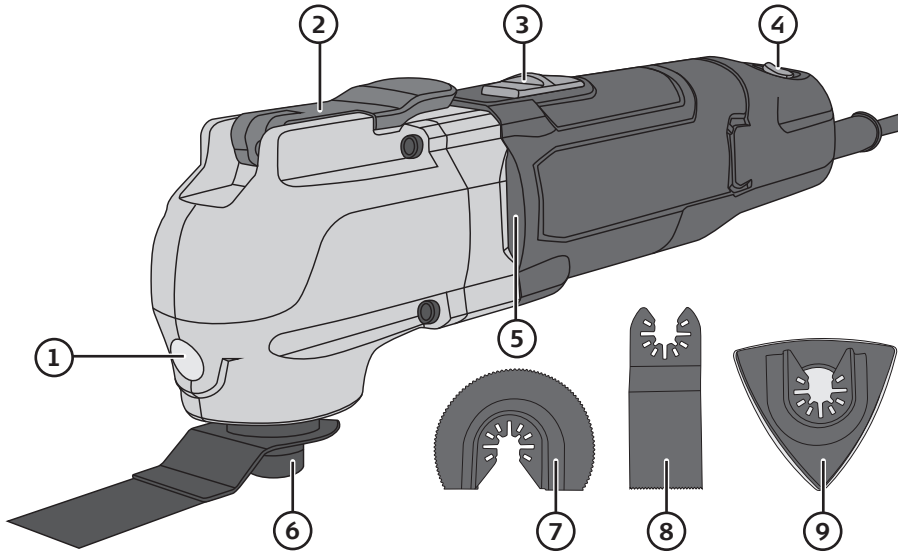


Läs hela bruksanvisningen.



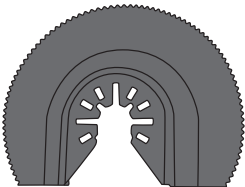
Använd alltid skyddsglasögon/visir, andningsskydd och hörselskydd.

## Produktbeskrivning



1. LED-belysning
2. Spärr för verktygsfäste
3. [I/O] På/av
4. Reglage för inställning av hastighet
5. Ventilationsöppning (en på vardera sidan)
6. Fäste med hållare för tillbehör
7. Cirkelformat sågblad HSS
8. Instickssågblad bimetall
9. Slipsula

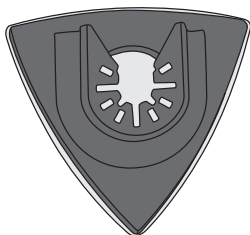
## Medföljande verktyg



### *Cirkelformat sågblad HSS*

För insågssnitt och kapning. Passar utmärkt vid sågning där det är svårt att komma åt, t.ex. i hörn när du vill kapa monterade golv- eller taklistor.





### Slipsula

Passar mycket bra vid slipning där det är svårt att komma åt, t.ex. i hörn. Beroende på slippapper kan du slipa trä, sten, färg m.m.



### Instickssågblad

Idealiskt för djupa instickssnitt i trä, t.ex. om du ska montera ett ventilationsgaller eller liknande. Passar även bra för sågning där det är svårt att komma åt. Detta sågblad klarar även att såga genom spikar.

### Extra tillbehör

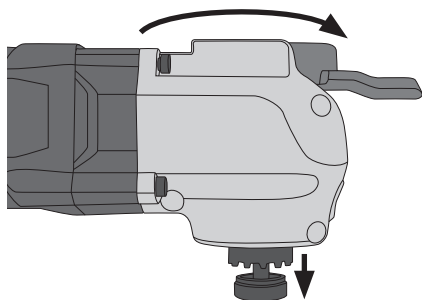
I Cocraft-sortimentet finns flera andra tillbehör som passar till detta multiverktyg, bl.a.:

- Sågblad för metall.
- Sågklingor och slippplattor för cementfogar, väggplattor och plast.
- Olika typer av slippapper.

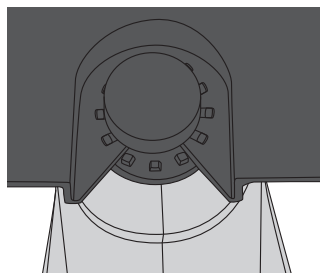
## Användning

### Montering och byte av tillbehör

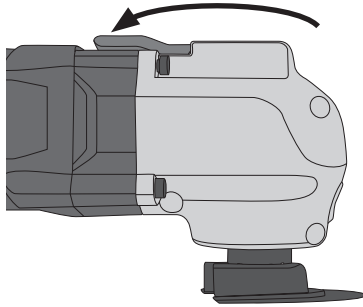
**Obs!** Dra alltid ut nätkabeln ur vägguttaget före montering och byte av tillbehör.



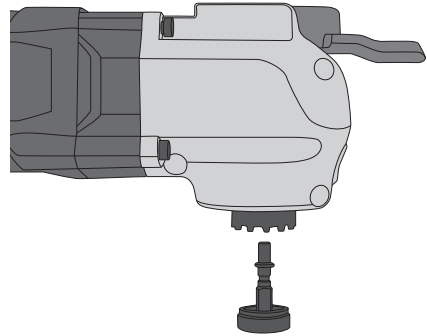
1. Vik ut spärren för verktygsfästet helt och dra ut hållaren tillräckligt mycket för att tillbehöret ska gå att sätta fast på fästet.



2. Placera tillbehöret på fästet, se till att piggarna på fästet ligger i hålen i tillbehöret.



3. Tryck in hållaren tills den bottnar i fästet och vik tillbaka spärren helt.



4. Du kan också dra ut hållaren helt ur fästet vilket är nödvändigt om du använder ett tillbehör som inte har öppet fäste.
5. Montera tillbehöret enligt ovan, skjut tillbaka hållaren i fästet och vik tillbaka spärren helt. **Obs!** Hållaren är fyrkantig i sin anslutning till fästet och går bara att skjuta i på ett sätt.

## Byte av slippapper

Slippapperet sitter fast med kardborre. Dra bort det använda slippapperet, rengör vid behov kardborreväven på verktyget och sätt sedan fast ett nytt slippapper.

## Slå på multiverktyget

1. Se till att strömbrytaren (3) står i läge **0** (av) innan du ansluter multiverktygets nätkabel till ett vägguttag.
2. Starta multiverktyget genom att skjuta strömbrytaren framåt till läge **I** (på).

## Val av hastighet

Du kan under användning ställa in lämplig hastighet med reglaget (4). Vilken hastighet du väljer beror på vilken typ av arbete som ska utföras samt vilket material du ska bearbeta. Prova dig fram till den hastighet som fungerar bäst. Multiverktyget har konstantelektronik vilket gör att det håller inställd hastighet även under belastning.

## Kapning och sågning

Var försiktig när du använder sågbladen. Kontrollera arbetsområdet så att du är beredd på ev. spik, skruv eller annat som kan leda till att du tappar kontrollen över multiverktyget. Om du kapar väggplattor, tänk på att sågbladet slits hårt vid långvarig användning.

## Slipning

- Använd alltid felfria slippapper och byt ofta. Det gör att resultatet blir bättre och ökar dessutom multiverktygets livslängd.
- Tryck inte för hårt när du slipar utan arbeta med ett jämnt, lätt tryck. Slipeffekten blir inte högre om du trycker hårt utan det medför endast att både slippapper och multiverktyget slits snabbare.
- Använd inte ett slippapper till trä som tidigare har använts till metall.

## Skötsel och underhåll

- Om nätkabeln skadas får den endast bytas av behörig elektriker.
- Håll alltid motorns ventilationsöppningar (5) fria från föroreningar.
- Rengör multiverktyget med en lätt fuktad trasa. Använd ett mildt rengöringsmedel, aldrig lösningsmedel eller frätande kemikalier.
- Om nätkabeln skadas ska den bytas av behörig elektriker.
- Dra alltid ut nätkabelns stickpropp ur vägguttaget och förvara multiverktyget torrt och utom räckhåll för barn om den inte ska användas under en längre period.

## Felsökningsschema

Multiverktyget startar inte.	<ul style="list-style-type: none"> <li>• Kontrollera att nätkabeln är hel och ordentligt ansluten till vägguttaget.</li> <li>• Finns det ström i vägguttaget?</li> </ul>
Motorn går sakta.	<ul style="list-style-type: none"> <li>• Slöa eller skadade tillbehör. Byt till nytt tillbehör.</li> <li>• För låg hastighet är vald för det arbete som ska utföras. Öka varvtalet.</li> </ul>
Vibrationer eller onormala ljud uppstår.	<ul style="list-style-type: none"> <li>• Kontrollera att tillbehöret är korrekt monterat och att multiverktyget är oskadat.</li> </ul>

## Avfallshantering

Denna symbol innebär att produkten inte får kastas tillsammans med annat hushållsavfall. Detta gäller inom hela EU. För att förebygga eventuell skada på miljö och hälsa, orsakad av felaktig avfallshantering, ska produkten lämnas till återvinning så att materialet kan tas omhand på ett ansvarsfullt sätt. När du lämnar produkten till återvinning, använd dig av de returhanteringssystem som finns där du befinner dig eller kontakta inköpsstället. De kan se till att produkten tas om hand på ett för miljön tillfredställande sätt.



## Specifikationer

<b>Nätanslutning</b>	230–240 V AC, 50 Hz
<b>Varvtal</b>	11 000–20 000/min
<b>Rörelse</b>	3,2°
<b>Effekt</b>	300 W
<b>Ljud</b>	LpA 83 dB(A), K: 3 dB LwA 94 dB(A), K: 3 dB Använd alltid hörselskydd vid ljudnivåer över 80 dB(A)
<b>Vibration</b>	$a_h$ 3,45 m/s <sup>2</sup> , K: 1,5 m/s <sup>2</sup>
<b>Vikt</b>	1,5 kg

# Multiverktøy

Art.nr. 40-9926 Modell PMF300S.1

Les brukerveiledningen grundig før produktet tas i bruk, og ta vare på den for framtidig bruk. Vi reserverer oss mot eventuelle feil i tekst og bilder, samt endringer av tekniske data. Ved tekniske problemer eller spørsmål, ta kontakt med vårt kundesenter. (Se opplysninger på baksiden).

## Sikkerhet

### Generelle sikkerhetsinstruksjoner for elektrisk håndverktøy

**Advarsel!** Les gjennom hele brukerveiledningen. Hvis ikke denne bruksanvisningene følges, kan det føre til elektrisk støt, brann og/eller andre alvorlige skader.

Med «elektrisk håndverktøy» i den følgende teksten menes verktøy som enten er koblet til strømmettet eller batteridrevne håndverktøy.

**TA VARE PÅ DENNE VEILEDNINGEN.**

#### 1) Arbeidsplassen

- a) **Hold arbeidsplassen ren, ryddig og godt opplyst.** Rot og dårlig opplyst arbeidsplass kan forårsake ulykker.
- b) **Ikke bruk elektriske håndverktøy i eksplosjonsfarlige omgivelser, som for eksempel nær lettantennelige væsker, gasser eller mye støv.** Elektrisk håndverktøy kan danne gnister, som igjen kan antenne støv eller trespon.
- c) **Hold barn og andre tilskuere på god avstand når du bruker elektriske håndverktøy.** Forstyrrelser kan føre til at man mister kontrollen.

#### 2) Sikkerhet ved bruk av elektrisk strøm

- a) **Støpselet til det elektriske verktøyet må passe inn i strømuttaket. Støpselet må ikke endres på. Bruk aldri adapter sammen med elektrisk håndverktøy som krever jording.** Ved bruk av originale støpsler reduseres faren for elektrisk støt.
- b) **Unngå kroppskontakt med jodede gjenstander, som rør, ovner, komfyrer, kjøleskap etc.** Kroppskontakt med disse kan gi for elektrisk støt.
- c) **Elektrisk håndverktøy må ikke utsettes for regn eller fuktighet.** Hvis det kommer vann inn i et elektrisk håndverktøy, øker faren for elektrisk støt.
- d) **Påse at ikke strømledningen blir skadet. Bær aldri apparatet i strømledningen. Trekk heller ikke i strømledningen når støpselet skal tas ut av strømuttaket. Hold ledningen unna varme, olje, skarpe kanter og bevegelige deler.** Skadede eller deformerte ledninger kan gi elektrisk støt.

- e) **Ved bruk av elektrisk håndverktøy utendørs, skal man benytte en skjøteledning som er beregnet til dette formålet.** Når skjøteledning som er beregnet for utendørs bruk benyttes, reduseres faren for elektrisk støt.
- f) **Hvis håndverktøyet må brukes i fuktige omgivelser må strømuttaket være utstyrt med jordfeilbryter.** Bruk av jordfeilbryter reduserer faren for elektrisk støt.

### 3) Personlig sikkerhet

- a) **Vær oppmerksom og bruk sunn fornuft ved bruk av elektrisk verktøy. Ikke bruk elektriske håndverktøy når du er trett eller påvirket av rusmidler, alkohol eller sterke medisiner.** Når du bruker elektrisk håndverktøy kan et lite øyeblikks uoppmerksomhet resultere i store personskader.
- b) **Bruk verneutstyr. Benytt alltid vernebriller.** Verneutstyr som støvmaske, sklisikre såler på skoene, hjelm og hørselsvern ved behov, reduserer faren for personskade.
- c) **Unngå uønsket oppstart. Pass på at strømbryteren er innstilt på OFF før støpselet kobles til et strømuttak, kobler til batteriet eller løfter/bærer det elektriske håndverktøyet.** Det å bære et elektrisk håndverktøy med en finger på strømbryteren/avtrekkeren eller å koble det til strømmettet når strømbryteren er innstilt på ON kan føre til skader.
- d) **Fjern alle nøkler/serviceverktøy før det elektriske håndverktøyet startes.** Et gjenglemt serviceverktøy på en roterende del, kan forårsake personskader.
- e) **Strekk deg ikke for langt. Påse at du står stødig og har god balanse i kroppen under hele arbeidsoperasjonen.** Dette gjør at man har bedre kontroll over verktøyet i de fleste situasjoner.
- f) **Benytt fornuftige arbeidsklær. Ikke bruk løstsittende klær og smykker. Hold klær, hansker, smykker og annet løstsittende unna bevegelige deler.** Løstsittende klær, smykker eller langt hår, kan feste seg i bevegelige deler.
- g) **Hvis det er mulig å koble til en støvsamler/støvsuger, bør dette gjøres.** Ved bruk av slike hjelpemidler, kan en redusere faren for støvrelaterte skader og ulykker.

### 4) Bruk og vedlikehold av det elektriske håndverktøyet

- a) **Ikke press det elektriske håndverktøyet. Bruk elektriske håndverktøy som er beregnet til den arbeidsoperasjonen du skal utføre.** Riktig hastighet på matingen er viktig for å utføre bedre og sikrere arbeid.
- b) **Ikke bruk det elektriske håndverktøyet dersom det er feil på strømbryteren og den ikke skrur verktøyet på/av med din kontroll.** Alle elektriske håndverktøy, som ikke kan kontrolleres med en strømbryter, er farlige og må repareres.
- c) **Trekk ut støpselet før justeringer utføres, ved skifte av tilbehør eller når verktøyet legges til oppbevaring.** Dette for å unngå at elektriske håndverktøy får en ukontrollert start.
- d) **Oppbevar elektrisk håndverktøy utilgjengelig for barn. Påse også at elektriske håndverktøy er utilgjengelige for personer som ikke har fått tilstrekkelig opplæring på eller er fortrolig med verktøyet.** Elektriske håndverktøy kan være farlige dersom de kommer i hendene på ukyndige.

- e) **Hold det elektriske håndverktøyet ved like. Kontroller at verktøyet ikke er feilinnstilt, at bevegelige deler ikke beveger seg usymmetrisk, at ingen deler er skadet eller at det elektriske håndverktøyet har andre feil som kan påvirke dets funksjon. Dersom noe er skadet må dette repareres før verktøyet tas i bruk.** Mange ulykker skyldes dårlig eller manglende vedlikehold.
- f) **Hold verktøyene skarpe og rene. Påse også at det elektriske verktøyet holdes skarpt.** Godt vedlikeholdt skjæreverktøy, med skarpe egger, er lettere å kontrollere.
- g) **Bruk håndverktøyet og tilbehøret som beskrevet i instruksjonene. Ta hensyn til arbeidsforholdene og det arbeidet som skal utføres.** Bruk av elektrisk håndverktøy til andre arbeidsoperasjoner enn det som det er beregnet til, kan skape farlige situasjoner.

## 5) Service

- a) **La profesjonelle fagfolk foreta service og reparasjoner. Benytt kun originale reservedeler.** Dette for å opprettholde sikkerheten ved bruk av det elektriske håndverktøyet.

## Spesielle sikkerhetsforanstaltninger for multiverktøy

- Dette elektriske håndverktøyet er beregnet for saging, sliping, pussing og kapping. Les alle sikkerhetsadvarsler, instruksjoner, illustrasjoner og spesifikasjoner som følger med dette verktøyet. Hvis du ikke følger alle instruksjonene nedenfor, kan det føre til i elektrisk støt, brann og/eller alvorlige skader.
- **Bruk ikke tilbehør som ikke er spesielt beregnet for verktøyet og anbefalt av verktøyprodusenten.** Selv om tilbehøret kan monteres på ditt elektriske håndverktøy, er ikke dette noen forsikring om sikker bruk.
- **Benytt alltid personlig verneutstyr. Avhengig av hvordan du bruker maskinen, bruk beskyttelse for ansikt eller vernebriller. Ved behov, bruk ansiktsmaske, hørselsvern, hansker og arbeidsforkle, som beskytter mot små slipepartikler eller fliser fra arbeidsstykket. Beskyttelsen for øynene som benyttes, skal kunne beskytte mot flygende biter som dannes ved forskjellige arbeidsoperasjoner. Støvmasken skal kunne filtrere partikler, som dannes ved arbeidet.** Langvarig opphold i støy kan forårsake hørselskader.
- **Hold tilskuere på sikker avstand fra arbeidsplassen. Alle som besøker arbeidsplassen må ha på seg personlig verneutstyr.** Fliser fra arbeidsstykket eller fra ødelagte tilbehør, kan bli slynget ut og forårsake skade utenfor arbeidets umiddelbare nærrområde.
- **Hold det elektriske håndverktøyet kun på de isolerte gripeflatene når arbeidsoperasjoner utføres og når verktøyet kan komme i kontakt med skjulte kabler eller sin egen ledning.** Verktøy som kommer i kontakt med en strømførende kabel kan gjøre utsatte metalldele av verktøyet strømførende og utsette operatøren for elektriske støt.
- **Rengjør motorens ventilasjonsåpninger regelmessig. Motorens vifte trekker til seg støv, som kommer inn under dekselet.** Overflødige metallspon samles opp og kan forårsake elektriske farer.

- **Bruk ikke det elektriske håndverktøyet i nærheten av lettantennelige materialer.** Gnister kan antenne disse materialene.
- **Bruk ikke tilbehør som krever kjølevæsker.** Bruken av vann eller andre kjølevæsker kan resultere i elektrisk sjokk eller dødelig elektrisk støt.

## Spesielle sikkerhetsforanstaltninger ved sliping

- **Vær ekstra forsiktig ved sliping av maling som kan inneholde bly, eller ved sliping av tre, metall og andre materialer som kan avgir giftig slipestøv.** Påse da også at personer som oppholder seg ved eller i nærheten av arbeidsplassen er beskyttet.
- **Slipestøv kan være svært brannfarlig sammen med luft.**

## Spesielle sikkerhetsinstruksjoner for kapping

- **Hold kun på de isolerte gripeflatene når det er fare for at skjæreverktøyet kan komme i kontakt med skjulte kabler eller sin egen ledning.** Skjæreverktøy som kommer i kontakt med en strømførende kabel kan gjøre utsatte metalldele av verktøyet strømførende og utsette operatøren for elektriske støt.
- **Benytt alltid åndedrettsvern.**

## Vibrasjon

- Målingen av vibrasjonsnivået som er oppgitt i denne bruksanvisningen er utført i henhold til en standard målemetode etter EN60745 og kan benyttes ved sammenlikning av forskjellige elektriske håndverktøy.
- Målemetoden kan også benyttes til foreløpige målinger av vibrasjonsbelastningen.
- Vibrasjonsnivået som er oppgitt gjelder når det elektriske håndverktøyet brukes som beskrevet i bruksanvisningen. Hvis verktøyet skal brukes til andre formål og med annet tilbehør eller ikke er tilstrekkelig vedlikeholdt kan vibrasjonsnivået øke betraktelig.
- For å få en grundig vurdering av vibrasjonsbelastningen bør man også ta i betraktning den tiden håndverktøyet er frakoblet eller er i gang uten å bli brukt. Dette reduserer vibrasjonsbelastningen betydelig for den totale arbeidsperioden. Når man skal vurdere sikkerhetstiltak mot vibrasjonenes påvirkning på operatøren bør det tas hensyn til alle typer bruk av håndverktøyet.

## Produktmerking med sikkerhetssymboler



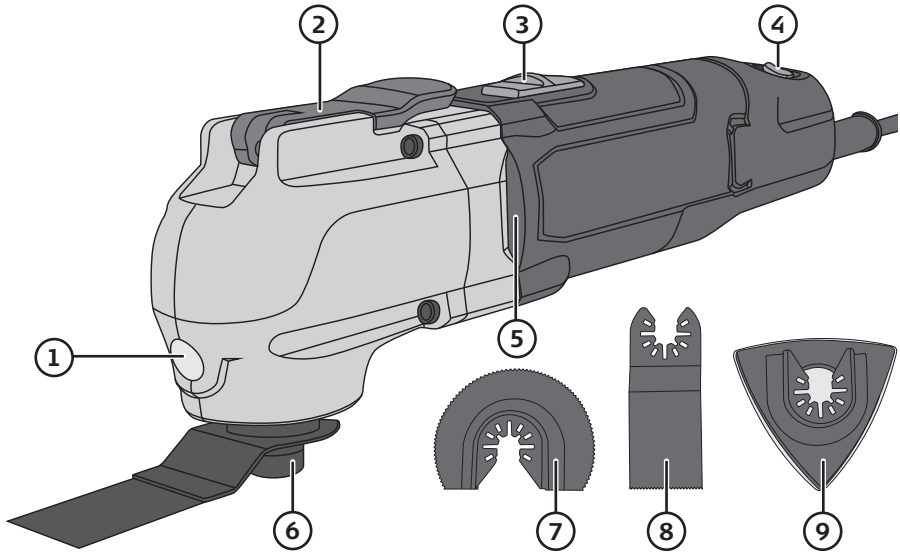
Les hele bruksanvisningen



Bruk alltid vernebriller/visir, åndedrettsvern og hørselsvern.

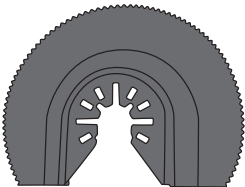


# Produktbeskrivelse



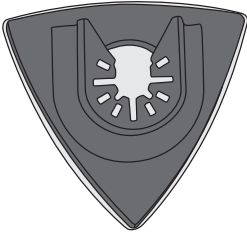
1. LED-lys
2. Sperre for verktøyfeste
3. [I/O] På/av
4. Bryter for innstilling av hastighet
5. Ventilasjonsåpning (en på hver side)
6. Feste med holder for tilbehør
7. Sirkelformet HSS-sagblad
8. Innstikksagblad i bimetall
9. Slipesåle

## Medfølgende verktøy



### *Sirkelformet sagblad HSS*

For innsagesnitt og kapping. Passer til saging hvor det er vanskelig å komme til, som f.eks. i hjørner, når en skal kappe monterte gulv- eller taklister.



### **Slipesåle**

Passer til sliping på plasser hvor det er vanskelig å komme til, som f.eks. i hjørner. Kan slipe både tre, stein, maling m.m. avhengig av valg av slipepapir.



### **Innstikksagblad**

Ideell til å lage innstikksnitt i tre ved f.eks. hulltaking for ventilasjonsluker etc. Passer bra til saging på plasser hvor det er vanskelig å komme til. Dette sagbladet sager også over spikre.

### **Ekstra tilbehør**

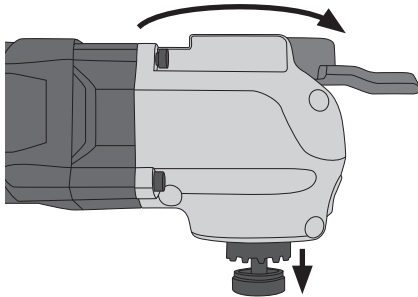
I Cocraft-sortimentet er det flere andre tilbehør som også passer dette multiverktøyet, som for eksempel:

- Sagblad for metall.
- Sageklinger og slipeplater for sementfuger, veggplater og plast.
- Forskjellige typer slipepapir.

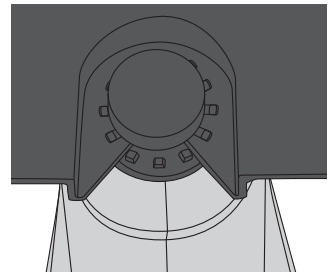
## **Bruk**

### **Montering og skifte av tilbehør**

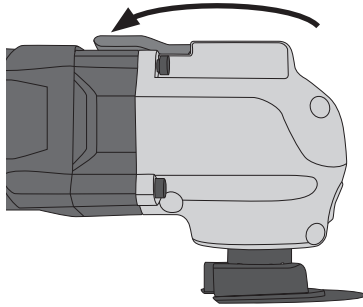
**Obs!** Trekk alltid støpselet ut av strømuttaket, før montering og skifte av tilbehør.



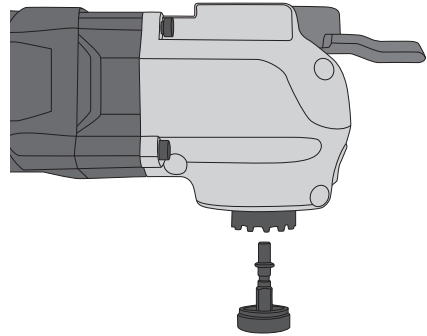
1. Bend sperrene for verktøyfeste helt ut og trekk ut holderen nok til at tilbehøret får feste.



2. Plasser tilbehøret på festet, og pass på at piggene på festet ligger i holderen til tilbehøret.



3. Trykk holderen inn til den når bunnen i festet og sett sperrene tilbake i riktig posisjon igjen.



4. Du kan også dra holderen helt ut av festet. Det kan være nødvendig hvis du bruker et tilbehør som ikke har åpent feste.
5. Monter tilbehøret som beskrevet ovenfor, skyv holderen tilbake i festet og bend sperren helt tilbake. **Obs!** Holderen er firkantet i selve festeordningen og kan bare monteres på en måte.

## Skifte slipepapir

Slipepapiret festes med borrelås. Fjern det brukte slipepapiret, rengjør ved behov borrelåsen på verktøyet og fest det nye slipepapiret.

## Start multiverktøyet

1. Påse at strømbryteren (3) står innstilt på **0** før multiverktøyets støpsel kobles til strømuttaket.
2. Verktøyet startes ved at strømbryteren skyves framover til **I** (på).

## Valg av hastighet

Når maskinen er i gang kan hastigheten justeres med bryteren (4). Hvilken hastighet du bør ha er avhengig av type jobb som skal utføres og hvilket materiale som skal bearbeides. Prøv deg fram til det som fungerer best. Verktøyet har konstantelektronikk, noe som gjør at det holder innstilt hastighet selv ved belastning.

## Kapping og saging

Vær forsiktig når du bruker sagblad. Kontroller arbeidsområdet slik at du er forberedt på ev. spikre, skruer og annet som kan føre til at du mister kontrollen på multiverktøyet. Hvis man skal kappe veggplater, så husk at verktøyet slites ved langvarig bruk.

## Sliping

- Bruk alltid feilfrie slipepapir og skift ofte. Da blir resultatet best og levetiden til multiverktøyet lengre.
- Press ikke for hardt ved sliping, men jobb med et jevnt lett trykk. Slipeeffekten blir ikke større hvis man trykker hardt, men både slipepapiret og verktøyet slites raskere.
- Bruk ikke slipepapir til sliping av tre hvis papiret tidligere har blitt brukt til metall.

## Stell og vedlikehold

- Hvis strømkabelen er skadet må den skiftes umiddelbart av en faglært elektriker.
- Hold alltid motorens ventilåpninger (5) frie for smuss.
- Rengjør multiverktøyet med en lett fuktet klut. Bruk et mildt rengjøringsmiddel, aldri løsningsmidler eller etsende kjemikalier.
- Hvis strømkabelen er skadet må den skiftes umiddelbart av en faglært elektriker.
- Trekk alltid ut støpselet ved lagring av verktøyet og sørg for at det oppbevares tørt og utenfor barns rekkevidde.

## Feilsøking

Multiverktøyet starter ikke.	<ul style="list-style-type: none"> <li>• Kontroller at strømkabelen er riktig koblet til strømuttaket.</li> <li>• Er det strøm i strømuttaket?</li> </ul>
Motoren går sakte.	<ul style="list-style-type: none"> <li>• Sløvt eller skadet tilbehør. Skift til nytt tilbehør.</li> <li>• For lav hastighet er valgt. Øk turtallet.</li> </ul>
Vibrasjoner eller ulyder oppstår.	<ul style="list-style-type: none"> <li>• Kontroller at tilbehøret er riktig montert og at multiverktøyet er uskadet.</li> </ul>

## Avfallshåndtering

Symbolet viser til at produktet ikke skal kastes sammen med husholdningsavfallet. Dette gjelder i hele EØS-området. For å forebygge eventuelle skader på helse og miljø, som følge av feil håndtering av avfall, skal produktet leveres til gjenvinning, slik at materialet blir tatt hånd om på en ansvarsfull måte. Benytt miljøstasjonene som er der du befinner deg eller ta kontakt med forhandler. De kan se til at produktet blir behandlet på en tilfredsstillende måte som gagnar miljøet.



## Spesifikasjoner

<b>Nettspenning</b>	230–240 V AC, 50 Hz
<b>Turtall</b>	11 000–20 000/min
<b>Bevegelse</b>	3,2°
<b>Effekt</b>	300 W
<b>Lyd</b>	LpA 83 dB(A), K: 3 dB LwA 94 dB(A), K: 3 dB Ved lydnivåer over 80 dB må man bruke hørselvern
<b>Vibrasjon</b>	$a_h$ 3,45 m/s <sup>2</sup> , K: 1,5 m/s <sup>2</sup>
<b>Vekt</b>	1,5 kg

# Monitoimityökalu

Tuotenro 40-9926

Malli PMF300S.1

Lue käyttöohje ennen tuotteen käyttöönottoa ja säilytä se tulevaa tarvetta varten. Pidätämme oikeuden teknisten tietojen muutoksiin. Emme vastaa mahdollisista teksti- tai kuvavirheistä. Jos tuotteeseen tulee teknisiä ongelmia, ota yhteys myymälään tai asiakaspalveluun (yhteystiedot käyttöohjeen lopussa).

## Turvallisuus

### Sähkökäyttöisten käsityökalujen yleisiä turvallisuusohjeita

**Varoitus!** Lue kaikki ohjeet. Seuraavien ohjeiden noudattamatta jättäminen saattaa johtaa sähköiskuun, tulipaloon ja/tai vakavaan onnettomuuteen. Varoitustekstien termi ”sähkökäyttöinen käsityökalu” tarkoittaa verkkovirralla tai paristoilla/akulla toimivaa käsityökalua.

### SÄILYÄ NÄMÄ OHJEET!

#### 1) Työtilat

- a) **Pidä työtilat puhtaina ja hyvin valaistuin.** Täynnä tavaraa olevat ja pimeät tilat lisäävät onnettomuusriskiä.
- b) **Älä käytä sähkökäyttöisiä käsityökaluja räjähdysherkässä ympäristössä, kuten helposti syttyvien nesteiden, kaasujen tai pölyn lähellä.** Sähkökäyttöiset käsityökalut muodostavat kipinöitä, jotka saattavat sytyttää pölyn tai höyryt.
- c) **Pidä lapset ja sivulliset loitolla, kun käytät sähkökäyttöisiä käsityökaluja.** Häiriötekijät voivat aiheuttaa laitteen hallinnan menettämisen.

#### 2) Sähköturvallisuus

- a) **Sähkökäyttöisen käsityökalun pistokkeen tulee sopia pistorasiaan. Älä muuta pistoketta millään tavalla. Älä käytä sovittimia maadoitettujen sähkökäyttöisten käsityökalujen kanssa.** Pistokkeet, joita ei ole muutettu sekä oikeanlaiset pistorasiat pienentävät sähköiskun vaaraa.
- b) **Vältä koskettamasta maadoitettuja esineitä, kuten putkia, lämpöpattereita, liettä tai jääkaappia.** Sähköiskun riski kasvaa, jos kehosi on maadoitettu.
- c) **Älä altista sähkökäyttöistä käsityökalua sateelle äläkä käytä sitä kosteissa olosuhteissa.** Veden joutuminen sähkökäyttöiseen käsityökaluun lisää sähköiskun vaaraa.
- d) **Käsittele virtajohtoa varoen. Älä kanna laitetta sähköjohdosta äläkä irrota pistoketta pistorasiasta johdosta vetämällä. Älä altista virtajohtoa kuumuudelle, öljyille, teräville reunoille tai liikkuville osille.** Virtajohdon vioittuminen tai sotkeutuminen lisää sähköiskun vaaraa.

- e) **Kun käytät sähkökäyttöistä käsityökalua ulkona, käytä ainoastaan ulkokäyttöön sopivia jatkojohtoja.** Ulkokäyttöön sopivan jatkojohdon käyttäminen pienentää sähköiskun vaaraa.
- f) **Jos sinun täytyy käyttää sähkökäyttöistä työkalua kosteassa ympäristössä, liitä laite pistorasiaan vikavirtasuojakytkimen kautta.** Vikavirtasuojakytkimen käyttö vähentää sähköiskun vaaraa.

### 3) Oma turvallisuutesi

- a) **Ole huolellinen ja käytä tervettä järkeä, kun työskentelet sähkökäyttöisellä työkalulla. Älä käytä sähkökäyttöistä käsityökalua, jos olet väsynyt tai päihteiden, lääkkeiden tai alkoholin vaikutuksen alainen.** Lyhyenkin hetken kestävä tarkkaavaisuuden herpaantuminen saattaa johtaa vakavaan loukkaantumiseen.
- b) **Käytä suojavarusteita. Käytä aina suojalaseja.** Suojavarusteiden, kuten hengityssuojaimen, liiкуestekenkien, kypärän ja kuulosuojaimien käyttäminen vähentää loukkaantumisvaaraa.
- c) **Vältä tahatonta käynnistystä. Varmista, että virtakytkin on OFF-asennossa, ennen kuin liität pistokkeen pistorasiaan, liität akun tai nostat/kannat sähkökäyttöistä käsityökalua.** On äärimmäisen vaarallista kantaa sähkökäyttöistä käsityökalua sormi liipaisimella tai liittää sähkökäyttöinen käsityökalu pistorasiaan virtakytkimen ollessa ON-asennossa.
- d) **Poista kaikki huoltotyökalut/avaimet, ennen kuin käynnistät sähkökäyttöisen käsityökalun.** Sähkökäyttöisen työkalun liikkuvan osan päälle onohdettu työkalu saattaa johtaa onnettomuuteen.
- e) **Älä kurota liian pitkälle. Varmista, että seisot tukevasti ja tasapainossa työn jokaisessa vaiheessa.** Näin hallitset laitteen paremmin ylläpitävissä tilanteissa.
- f) **Käytä tarkoituksenmukaisia vaatteita. Älä pidä löysiä vaatteita tai koruja. Pidä hiukset, vaatteet ja käsineet loitolla koneen liikkuvista osista.** Löysät vaatteet, korut tai pitkät hiukset saattavat juuttua liikkuviin osiin.
- g) **Jos käytössäsi on pölynpoistojärjestelmä, käytä sitä.** Näiden apuvälineiden käyttö vähentää pölyyn liittyviä vaaroja.

### 4) Sähkökäyttöisten käsityökalujen käyttäminen ja huoltaminen

- a) **Älä pakota sähkökäyttöistä käsityökalua. Käytä sähkökäyttöistä käsityökalua, joka soveltuu suunnittelemaasi työtehtävään.** Sopiva sähkökäyttöinen käsityökalu tekee työn paremmin ja turvallisemmin oikealla nopeudella.
- b) **Älä käytä sähkökäyttöistä käsityökalua, mikäli virtakytkin ei käynnistä ja sammuta laitetta.** Sähkökäyttöiset käsityökalut, joita ei voida hallita virtakytkimellä, ovat vaarallisia ja ne tulee korjata.
- c) **Irrota pistoke pistorasiasta tai poista akku ennen sähkökäyttöisen käsityökalun säätämistä tai varusteiden vaihtamista tai ennen työkalun laittamista säilytykseen.** Nämä ennaltaehkäisevät toimenpiteet vähentävät sähkökäyttöisen käsityökalun tahatonta käynnistymistä.
- d) **Säilytä sähkökäyttöisiä käsityökaluja lasten ulottumattomissa. Älä luovuta sähkökäyttöistä käsityökalua henkilöille, jotka eivät tunne sitä tai sen käyttöohjetta.** Sähkökäyttöiset käsityökalut ovat vaarallisia tottumattomien käyttäjien käsissä.

- e) **Huolla sähkökäyttöisiä käsityökaluja. Tarkasta, että säädöt ovat kunnossa, että liikkuvat osat liikkuvat esteettä, että osat ovat ehjiä, ja että sähkökäyttöisessä käsityökalussa ei ole muita laitteen toimintaan vaikuttavia seikkoja.** Vioittuneet osat tulee korjata ennen käyttöä. Monet onnettomuudet johtuvat väärin hoidetuista sähkökäyttöisistä käsityökaluista.
- f) **Pidä leikkaavat osat terävinä ja puhtaina.** Terätyökalun hallinta on helpompaa, kun se on oikein huollettu ja sen terät ovat teräviä.
- g) **Käytä sähkökäyttöistä käsityökalua ja sen varusteita näiden ohjeiden mukaisesti. Ota myös huomioon työskentelyolosuhteet ja suoritettava työ.** Sähkökäyttöisen käsityökalun käyttäminen muihin kuin sille tarkoitettuihin työtehtäviin voi aiheuttaa vaaratilanteita.

## 5) Huolto

- a) **Laitteen saa huoltaa ja korjata ainoastaan ammattihenkilö, ja huollossa tulee käyttää ainoastaan alkuperäisosa.** Näin taataan sähkökäyttöisen käsityökalun turvallisuus.

## Monitoimityökalun turvaohjeita

- Tämä sähkökäyttöinen käsityökalu on tarkoitettu sahaukseen, hiontaan, puhdistukseen ja katkaisuun. Lue kaikki laitteen mukana tulevat varoitukset, ohjeet, kuvitukset ja tekniset tiedot. Ohjeiden noudattamatta jättäminen saattaa johtaa sähköiskuun, tulipaloon tai vakavaan loukkaantumiseen.
- Käytä ainoastaan valmistajan hyväksymiä ja suosittelemia tarvikkeita. Vaikka varuste voidaan asentaa laitteeseen, sen käyttö ei silti välttämättä ole turvallista.
- Käytä henkilösuojaimia. Käytä kasv suojusta tai suojalaseja koneen käyttötavasta riippuen. Käytä tarvittaessa sellaisia suojarusteita (kasvoja kuulosuojain, käsineet ja työesiliina), jotka suojaavat työkappaleesta irtoavilta pieniltä hiontakappaleilta ja paloilta. Silmäsuojuksen tulee suojata lentäviltä osilta, joita syntyy eri työvaiheissa. Hengityssuojaimen tulee suodattaa työssä syntyvät hiukkaset. Pitkäaikainen altistuminen melulle saattaa aiheuttaa kuulovaurioita.
- Pidä sivulliset riittävän kaukana työpisteestä. Kaikkien työpisteessä oleskelevien tulee käyttää henkilösuojaimia. Työstettävästä kappaleesta tai viallisesta varusteesta lentävät lastut saattavat aiheuttaa vahinkoa myös työpisteen ulkopuolella.
- Pidä kiinni ainoastaan laitteen eristetyistä pinnoista, kun työskentelet alueilla, jossa laikka voi joutua kosketuksiin piilossa olevien kaapeleiden tai laitteen virtajohdon kanssa. Jos työkalu joutuu kosketuksiin virtaa johtavan kaapelin kanssa, laitteen metalliosat saattavat tulla jännitteisiksi ja aiheuttaa käyttäjälle sähköiskun vaaran.
- Puhdista moottorin ilmastointiaukot säännöllisesti. Moottorin puhallin kerää pölyä, joka kerääntyy kotelon alle. Laitteeseen kerääntyvä metallijäte saattaa aiheuttaa turvallisuusriskin.
- Älä käytä sähkökäyttöistä käsityökalua helposti syttyvien materiaalien läheisyydessä. Kipinöinti saattaa aiheuttaa näiden materiaalien syttymisen.
- Älä käytä varusteita, jotka vaativat jäähdytysnesteitä. Veden tai muiden jäähdytysnesteiden käyttö saattaa johtaa hengenvaaralliseen sähköiskuun.



## Hiontaa koskevia turvallisuusohjeita

- Ole erityisen varovainen myrkyllisten hiontapölyjen kanssa: Lyijypitoiset maalit, tietyt puut, metallit ja muut materiaalit saattavat tuottaa myrkyllistä pölyä. Varmista myös, että henkilöt jotka oleilevat työtiloissa tai niiden läheisyydessä, ovat suojattuja.
- Ota huomioon, että hiomispöly saattaa olla helposti syttyvää joutuessaan kosketuksiin ilman kanssa.

## Katkaisua koskevia turvallisuusohjeita

- Pidä kiinni ainoastaan monitoimityökalun eristetyistä pinnoista, kun työskentelet alueilla, jossa laikka voi joutua kosketuksiin piilossa olevien kaapeleiden tai monitoimityökalun oman virtajohdon kanssa. Jännitteisen johdon katkaiseminen saattaa muuttaa työkalun eristämättömät osat jännitteisiksi ja altistaa käyttäjän sähköiskulle.
- Käytä aina hengityssuojainta.

## Tärinä

- Käyttöohjeessa ilmoitetun tärinäarvon mittausta on suoritettu EN 60745 -standardisoidulla mittaustavalla, ja se soveltuu sähkökäyttöisten käsityökalujen vertailuun.
- Mittaustapa soveltuu myös tärinäkuormituksen alustavaan arviointiin.
- Ilmoitettu tärinäarvo toteutuu, kun sähkökäyttöistä käsityökalua käytetään käyttöohjeessa kuvatulla tavalla. Jos sähkökäyttöistä käsityökalua käytetään muihin tarkoituksiin ja muilla tarvikkeilla, tai jos sitä ei ole huollettu kunnolla, käytön aikainen tärinäarvo saattaa kasvaa huomattavasti.
- Tarkan tärinäkuormituksen arvioimiseksi pitää huomioida ajat, jolloin sähkökäyttöinen käsityökalu ei ole kytkettynä, tai kun se on käynnissä ilman, että sitä käytetään. Tämä vähentää huomattavasti koko työskentelyjakson tärinäkuormitusta. Päätä turvallisuustoimenpiteet suojataksesi käyttäjää tärinän vaikutukselta kaikissa käyttötarkoituksissa.

## Tuotteen merkinnät ja turvallisuussymbolit

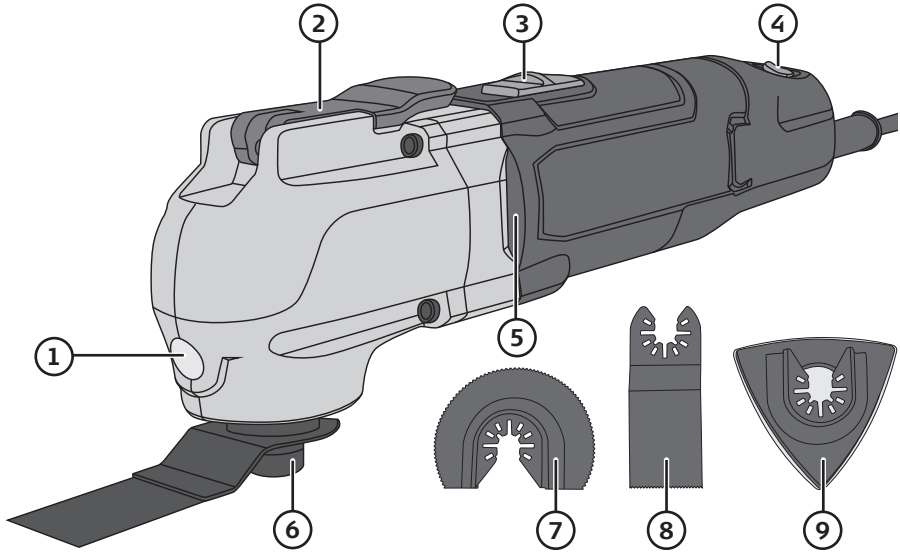


Lue koko käyttöohje.



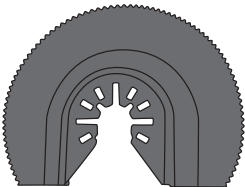
Käytä aina suojalaseja/visiiriä, kuulosuojainta ja hengityssuojainta.

# Tuotekuvaus



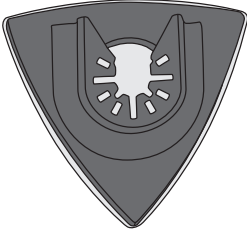
1. LED-valo
2. Tarvikekiinnikkeen lukitsin
3. [ I/O ] Virtakytkin
4. Nopeudensäädin
5. Ilmastointiaukko (molemmin puolin)
6. Kiinnike, jossa tarvikepidike
7. Ympyrän muotoinen sahanterä HSS
8. Pistosahanterä bimetallia
9. Hiomapohja

## Pakkauksen tarvikkeet



### *Ympyrän muotoinen sahanterä HSS*

Upotussahaukseen ja katkaisuun. Sopii erinomaisesti sahaukseen hankalissa paikoissa, kuten kulmissa katkaistaessa asennettuja lattia- tai kattolistoja.



### Hiontapohja

Sopii erinomaisesti hiontaan hankalissa paikoissa, kuten kulmissa. Hiontapaperista riippuen laitteella voidaan hioa puuta, kiveä, maalia ym.



### Pistosahanterä

Sopii erinomaisesti syviin pistosahauksiin puulle, esim. ilmastointiritilän asennukseen. Sopii myös sahaukseen hankalissa paikoissa. Sahanterä sahaa myös naulojen läpi.

### Lisätarvikkeet

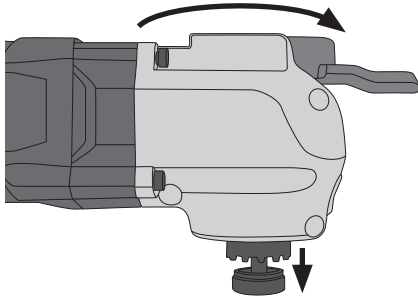
Cocraft-valikoimassa on useita muita tähän monitoimityökaluun sopivia tarvikkeita, mm.

- Sahanterä metallille
- Sahanteriä ja hiomalaikkoja sementtisaumoille, seinälaatoille ja muoville.
- Erityyppisiä hiomapapereita.

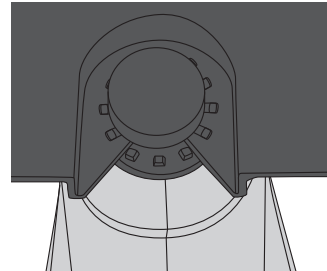
## Käyttö

### Tarvikkeiden asennus ja vaihto

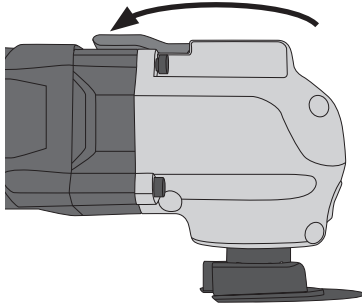
**Huom.!** Irrota aina virtajohdon pistoke pistorasiasta ennen tarvikkeiden asennusta tai vaihtoa.



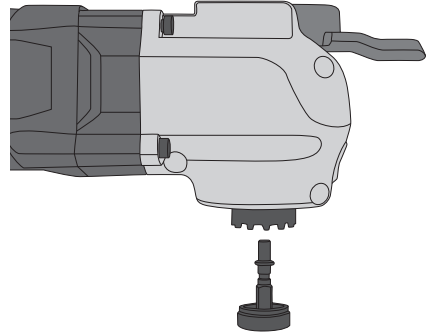
1. Taita tarvikkeikiinnikkeen lukitus kokonaan auki ja vedä pidikettä tarpeeksi ulos, jotta saat kiinnitettyä tarvikkeen kiinnikkeeseen.



2. Aseta tarvike kiinnikkeeseen ja varmista, että kiinnikkeen piikit ovat tarvikkeen rei'issä.



3. Paina pidike paikalleen, kunnes se on kiinnikkeen pohjassa. Taita lukitus kokonaan kiinni.



4. Voit myös vetää pidikkeen kokonaan irti kiinnikkeestä. Tämä on tarpeellista, jos käytät tarviketta, jossa ei ole avointa kiinnitystä.
5. Asenna tarvike yllä olevien ohjeiden mukaisesti, työnnä pidike takaisin paikalleen kiinnikkeeseen ja taita lukitus takaisin kiinni. **Huom.!** Pidikkeen kiinnikkeeseen tuleva pää on nelionmuotoinen, ja pidikkeen voi työntää paikalleen vain yhdellä tavalla.

## Hiomapaperin vaihto

Hiomapaperi on kiinnitetty tarralla. Irrota käytetty hiomapaperi, ja puhdista työkalun tarrakiinnitys tarvittaessa. Kiinnitä uusi hiomapaperi.

## Monitoimityökalun käynnistäminen

1. Varmista, että virtakytkin (3) on asennossa **0** (pois päältä) ennen kuin liität monitoimityökalun verkkojohdon pistorasiaan.
2. Käynnistä monitoimityökalu työntämällä virtakytkin **I**-asentoon (päällä).

## Nopeuden valitseminen

Voit käytön aikana säätää monitoimityökalun nopeutta nopeudensäätimellä (4). Nopeuden valinta riippuu tehtävästä työstä ja työstettävästä materiaalista. Kokeile, kunnes löydät sopivimman nopeuden. Monitoimityökalussa on vakioelektroniikka, minkä ansiosta asetettu nopeus pysyy myös kuormituksen aikana.

## Katkaisu ja sahaus

Ole varovainen käyttäessäsi sahanteriä. Tarkista työskentelyalue, jotta tiedät mahdolliset naulat, ruuvit tai muut asiat, jotka voivat johtaa monitoimityökalun hallinnan menettämiseen. Jos katkaiset seinälaattoja, ota huomioon, että sahanterä rasittuu huomattavasti pitkäaikaisessa käytössä.

## Hiominen

- Käytä aina hyväkuntoisia hiomapapereita ja vaihda ne usein. Tulos on silloin parempi ja pidennät monitoimityökalun käyttöikää.
- Älä paina liian kovaa hioessasi, vaan paina konetta tasaisesti. Painaminen ei paranna hionnan tulosta, mutta kuluttaa hiomapaperia ja työkalua.
- Älä hio puuta hiomapaperilla, jolla on hiottu metallia.

## Huolto ja ylläpito

- Ainoastaan valtuutettu sähköasentaja saa vaihtaa vahingoittuneen virtajohdon.
- Huolehdi, että moottorin ilmastointiaukot (5) pysyvät puhtaina.
- Puhdista monitoimityökalu kevyesti kostutetulla liinalla. Käytä mietoa puhdistusainetta. Älä käytä liuottimia tai syövyttäviä kemikaaleja.
- Vain sähköalan ammattilainen saa vaihtaa vaurioituneen virtajohdon.
- Jos monitoimityökalua ei käytetä pitkään aikaan, irrota pistoke pistorasiasta ja säilytä sitä kuivassa paikassa lasten ulottumattomissa.

## Vianhakutaulukko

Monitoimityökalu ei käynnisty.	<ul style="list-style-type: none"><li>• Varmista, että virtajohto on ehjä ja että se on liitetty kunnolla pistorasiaan.</li><li>• Tarkista, onko pistorasiassa virtaa.</li></ul>
Moottori käy hitaasti.	<ul style="list-style-type: none"><li>• Varusteet ovat tylsät tai vioittuneet. Vaihda uusi varuste.</li><li>• Olet valinnut liian alhaisen nopeuden. Lisää nopeutta.</li></ul>
Monitoimityökalu pärisee tai siitä kuuluu epätavallisia ääniä.	<ul style="list-style-type: none"><li>• Varmista, että varuste on liitetty oikein ja että monitoimityökalu ei ole vioittunut.</li></ul>

## Kierrättäminen

Tämä kuvake tarkoittaa, että tuotetta ei saa hävittää kotitalousjätteen seassa. Tämä koskee koko EU-aluetta. Virheellisestä kierrättämisestä johtuvien mahdollisten ympäristö- ja terveyshaittojen ehkäisemiseksi tuote tulee viedä kierrätettäväksi, jotta materiaali voidaan käsitellä vastuullisella tavalla. Kierrätä tuote käyttämällä paikallisia kierrätysjärjestelmiä tai ota yhteys ostopaikkaan. Ostopaikassa tuote kierrätetään vastuullisella tavalla.



## Tekniset tiedot

<b>Verkkoliitäntä</b>	230–240 V AC, 50 Hz
<b>Kierrosluku</b>	11 000–20 000/min
<b>Liike</b>	3,2°
<b>Teho</b>	300 W
<b>Ääni</b>	LpA 83 dB(A), K: 3 dB LwA 94 dB(A), K: 3 dB Käytä aina kuulosuojaimia, jos äänenvoimakkuus ylittää 80 dB
<b>Tärinä</b>	a <sub>h</sub> 3,45 m/s <sup>2</sup> , K: 1,5 m/s <sup>2</sup>
<b>Paino</b>	1,5 kg

# Multiwerkzeug

Art.Nr. 40-9926 Modell PMF300S.1

Vor Inbetriebnahme die Bedienungsanleitung vollständig durchlesen und für künftigen Gebrauch aufbewahren. Irrtümer, Abweichungen und Änderungen behalten wir uns vor. Bei technischen Problemen oder anderen Fragen freut sich unser Kundenservice über eine Kontaktaufnahme (Kontakt siehe Rückseite).

## Sicherheitshinweise

### Allgemeine Sicherheitshinweise für Elektrowerkzeuge

**Achtung:** Die komplette Bedienungsanleitung durchlesen. Nichtbeachtung der folgenden Anweisungen kann zu Stromschlägen, Feuer und/oder schweren Verletzungen führen. Die Bezeichnung „Elektrowerkzeug“ im weiteren Textverlauf bezieht sich auf das netzkabelgeschlossene oder akkubetriebene Handwerkzeug.

### DIESE BEDIENUNGSANLEITUNG AUFBEWAHREN!

#### 1) Arbeitsumgebung

- a) **Die Arbeitsumgebung sauber und gut beleuchtet halten.** Unordentliche und dunkle Umgebungen können zu Unfällen führen.
- b) **Elektrowerkzeuge sind nicht in feuergefährlichen Umgebungen (z. B. leicht entzündbare Flüssigkeiten, Gase oder Staub) zu benutzen.** Elektrowerkzeuge erzeugen Funken, die Staub oder Dämpfe entzünden können.
- c) **Während der Benutzung des Elektrowerkzeugs Kinder und Zuschauer auf Abstand halten.** Störungen können zum Verlust der Kontrolle führen.

#### 2) Sicherheitshinweise Elektrik

- a) **Der Netzstecker des Elektrowerkzeugs muss in die Netzsteckdose passen. Niemals den Netzstecker verändern. Niemals einen Adapter zusammen mit geerdeten Elektrowerkzeugen verwenden.** Unveränderte Stecker und passende Steckdosen verringern das Risiko für Stromschläge.
- b) **Körperkontakt mit geerdeten Gegenständen, z. B. Rohr, Heizung, Ofen oder Kühlschrank, vermeiden.** Ist der eigene Körper geerdet, erhöht sich das Risiko für Stromschläge.
- c) **Elektrowerkzeuge nicht für Regen oder Feuchtigkeit aussetzen.** Wasser im Inneren von Elektrowerkzeugen erhöht das Risiko für Stromschläge.
- d) **Mit dem Netzkabel behutsam umgehen. Das Netzkabel nie zum Ziehen oder Tragen des Elektrohandwerkzeugs oder zum Herausziehen des Steckers aus der Steckdose verwenden. Das Kabel von Wärme, Öl, scharfen Kanten und beweglichen Teilen fernhalten.** Beschädigte oder verformte Netzkabel erhöhen die Gefahr von elektrischen Schlägen.

- e) **Bei der Benutzung von Elektrowerkzeugen im Außenbereich immer ein Verlängerungskabel benutzen, das dafür vorgesehen ist.** Die Benutzung eines Verlängerungskabels für den Außenbereich verkleinert das Risiko für Stromschläge.
- f) **Sollte das Elektrowerkzeug trotzdem in feuchter Umgebung benutzt werden, unbedingt eine Fehlerstrom-Schutzeinrichtung vorschalten.** Die Benutzung einer Fehlerstrom-Schutzeinrichtung verkleinert das Risiko für Stromschläge.

### 3) *Persönliche Sicherheit*

- a) **Bei der Benutzung von Elektrowerkzeugen vorsichtig sein und auf den gesunden Menschenverstand hören. Die Bedienung von Elektrowerkzeugen bei Müdigkeit und/oder Einfluss von Drogen, Alkohol oder Medizin ist untersagt.** Ein kurzer Moment der Unachtsamkeit kann zu schweren Sach- und Personenschäden führen.
- b) **Persönliche Schutzausrüstung benutzen. Immer Augenschutz tragen.** Die Benutzung von persönlicher Schutzausrüstung bei Bedarf, wie Atemschutz, Sicherheitsschuhe, Helm und Gehörschutz, verkleinert das Verletzungsrisiko.
- c) **Ungewolltes Starten vermeiden. Sicherstellen, dass der Stromschalter in der Position OFF ist bevor der Netzstecker oder Akku angeschlossen wird oder das Elektrowerkzeug gehoben/getragen wird.** Das Tragen von Elektrowerkzeugen mit einem Finger auf dem Schalter oder der Anschluss von Elektrowerkzeugen an die Netzspannung, während der Schalter in der Position ON ist, birgt ein erhöhtes Unfallrisiko. Befindet sich der Ein-/Ausschalter in Stellung ON erhöht sich die Unfallgefahr.
- d) **Vor dem Einschalten des Elektrowerkzeugs alle Servicewerkzeuge/Schlüssel entfernen.** Ein vergessenes Servicewerkzeug an einem rotierenden Teil von Elektrowerkzeugen kann zu Personenschäden führen.
- e) **Eine stabile und bequeme Arbeitsposition einnehmen. Immer eine gute Balance sicherstellen.** Dies sorgt für bessere Kontrolle des Elektrowerkzeugs in unvorhergesehenen Situationen.
- f) **Geeignete Arbeitskleidung tragen. Keine losen Kleider oder Schmuck tragen. Haare, Kleidung und Handschuhe außerhalb von beweglichen Teilen halten.** Lose Kleidung, Schmuck oder lange Haare können sich in Beweglichen Teilen verfangen.
- g) **Ist Ausrüstung zum Absaugen und Aufsammeln von Staub zugänglich, sollte diese angeschlossen und benutzt werden.** Das Benutzen dieser Ausrüstung minimiert Staub-abhängige Gefahren.

### 4) *Benutzung und Wartung des Elektrowerkzeugs*

- a) **Elektrowerkzeuge nie überbeanspruchen. Elektrowerkzeuge nur für die dafür vorgesehene Arbeit benutzen.** Das richtige Elektrowerkzeug sorgt für mehr Sicherheit und ein besseres Resultat.
- b) **Niemals ein Elektrowerkzeug benutzen, wenn der Stromschalter das Gerät nicht ein-/ausschaltet.** Ein Elektrowerkzeug, das sich nicht mehr ein- oder ausschalten lässt, ist gefährlich und muss repariert werden.
- c) **Zum Ändern der Einstellungen, Austausch von Werkzeugteilen und bei Nichtbenutzung stets den Netzstecker ziehen.** Diese Vorkehrungsmaßnahme verkleinert das Risiko für einen unabsichtlichen Start.



- d) **Elektrowerkzeuge bei Nichtbenutzung außer Reichweite von Kindern aufbewahren. Personen, die nicht mit der Bedienung vertraut sind, nicht das Elektrowerkzeug benutzen lassen.** Elektrowerkzeuge sind gefährlich, wenn sie in die Hände von unerfahrenen Personen gelangen.
- e) **Elektrowerkzeuge warten. Regelmäßig überprüfen, ob etwas falsch eingestellt ist, ob bewegliche Teile klemmen, etwas kaputt gegangen ist oder etwas anderes die fehlerfreie Funktion behindert. Wenn etwas kaputt ist, muss es vor Inbetriebnahme repariert werden.** Viele Unglücke werden durch mangelnde Wartung verursacht.
- f) **Werkzeuge sind sauber und scharf zu halten.** Ordentlich gewartete Werkzeuge neigen weniger zu Fehlfunktionen und sind einfacher zu handhaben.
- g) **Elektrowerkzeuge, Zubehör usw. nur der Beschreibung entsprechend und für den vorgesehenen Verwendungszweck handhaben. Dabei immer die aktuellen Arbeitsbedingungen berücksichtigen.** Bei Zweckentfremdung können Sach- und Personenschäden entstehen.

## 5) Service

- a) **Reparaturen sind nur von qualifizierten Servicetechnikern und mit Originalzubehör durchzuführen.** Dies bewahrt die Sicherheit von Elektrowerkzeugen.

## Besondere Sicherheitshinweise für Multiwerkzeuge

- **Dieses Elektrowerkzeug ist zum Sägen, Schleifen, Bürsten und Schneiden vorgesehen. Alle Sicherheitshinweise, Anweisungen, Darstellungen und technischen Daten beachten, die mit diesem Werkzeug geliefert werden.** Eine Nichtbeachtung der aufgeführten Anweisungen kann zu Stromschlägen, Brand und/oder schweren Verletzungen führen.
- **Kein Zubehör verwenden, das nicht speziell für das jeweilige Gerät vorgesehen ist und vom Hersteller empfohlen wird.** Auch wenn das Zubehör am Elektrowerkzeug angebracht werden kann, ist das keine Garantie dafür, dass die Verwendung ungefährlich ist.
- **Unbedingt persönliche Schutzausrüstung tragen. Abhängig von der Benutzung der Maschine mit Gesichtsschutz oder Augenschutz arbeiten. Bei Bedarf Gesichtsmaske, Gehörschutz, Handschuhe und Arbeitsschürze als Schutz vor kleinen Partikeln oder Splintern, die vom Werkstück stammen, tragen. Der Augenschutz muss vor herumfliegendem Schrott schützen, der im Verlauf der einzelnen Arbeitsphasen entsteht. Der Atemschutz muss die bei der Arbeit auftretenden Partikel filtern können.**  
Bei langem Aufenthalt in Lärmbereichen können Gehörschäden entstehen.
- **Zuschauer in sicherem Abstand vom Arbeitsplatz fernhalten. Alle Besucher am Arbeitsplatz müssen persönliche Schutzausrüstung tragen.** Bruchstücke des Arbeitsstücks oder von defektem Zubehör können wegfliegen und auch außerhalb des unmittelbaren Nahbereichs Verletzungen verursachen.
- **Das Elektrohandwerkzeug bei Arbeiten, in deren Verlauf die Trennscheibe mit verborgenen Kabeln oder dem eigenen Gerätekabel in Kontakt kommen kann,**

**ausschließlich an den isolierten Greifflächen halten.** Der Kontakt des Elektrowerkzeuges mit einer spannungsführenden Leitung kann auch metallene Geräteteile unter Spannung setzen und einen Stromschlag verursachen.

- **Die Belüftungsöffnungen des Motors regelmäßig reinigen.**  
Das Motorgebläse zieht Staub an, der in das Gehäuse eindringt, und angesammelte, überschüssige Metallspäne können elektrische Gefährdungen verursachen.
- **Das elektrische Handwerkzeug nicht in der Nähe von leicht entflammaren Materialien verwenden.** Funken können dieses Material in Brand setzen.
- **Kein Zubehör verwenden, das Kühlflüssigkeiten benötigt.** Der Einsatz von Wasser oder anderen Kühlflüssigkeiten kann zu elektrischem Schock oder tödlichem elektrischen Schlag führen.

## **Besondere Sicherheitshinweise für Schleifarbeiten**

- **Besondere Vorsicht ist geboten beim Schleifen von bleihaltiger Farbe, Holz oder anderen Materialien, die giftigen Schleifstaub produzieren können.** Sicherstellen, dass auch andere Personen die sich in der Nähe aufhalten einen Atemschutz tragen.
- **Beachten, dass Schleifstaub zusammen mit Luft extrem feuergefährlich sein kann.**

## **Besondere Sicherheitsanweisungen beim Trennen von Werkstücken**

- **Das Elektrowerkzeug bei Arbeiten, in deren Verlauf das Schneidwerkzeug mit verborgenen Kabeln oder dem eigenen Gerätekabel in Kontakt kommen kann, ausschließlich an den isolierten Greifflächen halten.** Der Kontakt des Schneidwerkzeuges mit einer spannungsführenden Leitung kann auch metallene Geräteteile unter Spannung setzen und einen Stromschlag verursachen.
- **Immer Atemschutz benutzen.**

## **Vibrationen**

- Die Messung des in dieser Bedienungsanleitung angegebenen Schwingungsemissionswert ist mit der standardisierten Messmethode gemäß EN 60745 durchgeführt worden und kann zum Vergleich versch. Elektrowerkzeuge herangezogen werden.
- Die Messmethode ist für eine vorläufige Beurteilung der Schwingungsbelastung geeignet.
- Der angegebene Schwingungsemissionswert gilt wenn das Elektrowerkzeug auf die in der Bedienungsanleitung beschriebenen Weise genutzt wird. Wird das Elektrowerkzeug dagegen zweckentfremdet, mit anderem Zubehör genutzt oder nicht ordentlich gewartet, kann der Schwingungsemissionswert während der Betriebsdauer erheblich steigen.
- Für eine exakte Beurteilung der Schwingungsbelastung sollte auch die Zeit beachtet werden, während der das Elektrowerkzeug vom Stromnetz getrennt ist oder eingeschaltet ist, ohne benutzt zu werden. Dies reduziert die Schwingungsbelastung während der Betriebsdauer deutlich. Sicherheitsmaßnahmen festlegen, um den Anwender vor den Wirkungen der Schwingung während jeglicher Benutzung zu schützen.

## Produktmarkierung mit Gebotszeichen

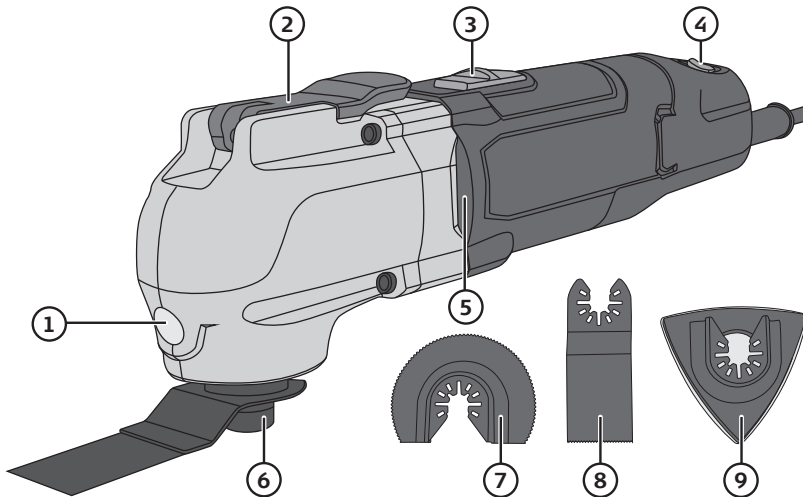


Die Bedienungsanleitung vollständig durchlesen.



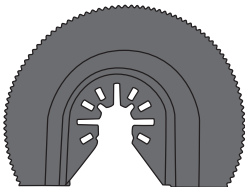
Immer einen Augenschutz, Atemschutz und Gehörschutz tragen.

## Produktbeschreibung



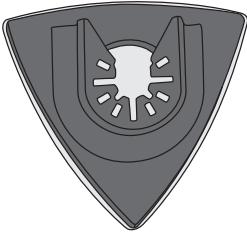
- |   |  |
|---|--|
| 1. LED-Beleuchtung                            | 6. Einstecksystem mit Zubehörhalterung |
| 2. Sperre für die Werkzeugaufnahme            | 7. Kreisförmiges Sägeblatt HSS         |
| 3. [I/O] Ein/Aus                              | 8. Bimetall-Tauchsägeblatt             |
| 4. Geschwindigkeitsregler                     | 9. Schleifplatte                       |
| 5. Belüftungsöffnungen (eine auf jeder Seite) |  |

## Mitgeliefertes Zubehör



### *Kreisförmiges Sägeblatt HSS*

Zum Sägen und Schneiden. Besonders praktisch bei Sägearbeiten mit erschwelter Erreichbarkeit, z. B. beim Abtrennen von befestigten Fußboden- oder Deckenleisten in Ecken.



### **Schleifplatte**

Besonders praktisch bei Schleifarbeiten mit erschwerter Erreichbarkeit, z. B. in Ecken. Je nach Schleifpapier kann Holz, Stein, Farbe usw. geschliffen werden.



### **Tauchsägeblatt**

Ideal für tiefe Einschnitte in Holz, z. B. bei der Montage eines Lüftungsgitters o. ä. Auch für Sägearbeiten mit erschwerter Erreichbarkeit geeignet. Dieses Sägeblatt kann sogar durch Schrauben sägen.

### **Extra Zubehör**

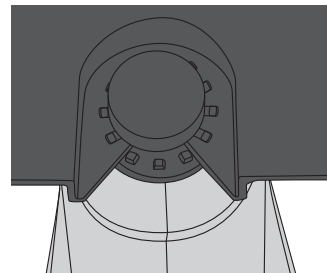
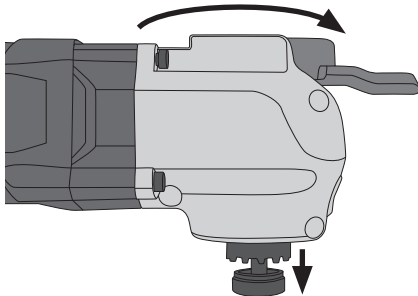
Im Cocraft-Sortiment gibt es weiteres passendes Zubehör für dieses Multiwerkzeug, u. a.:

- Sägeblatt für Metall.
- Sägeblätter und Schleifplatten für Zementfugen, Wandplatten oder Kunststoff.
- Versch. Schleifpapiere.

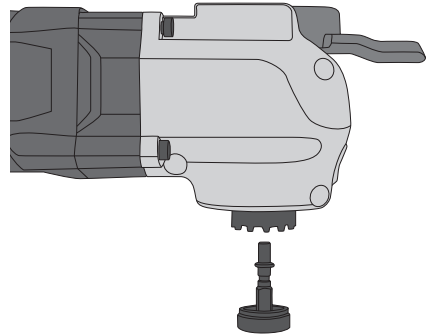
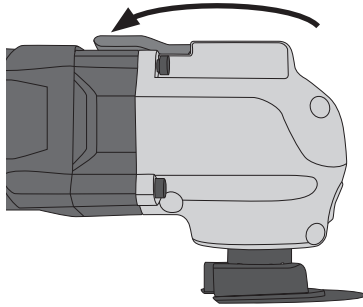
## **Benutzung**

### **Einbau und Austausch der Schleif-/Trennscheibe**

**Hinweis:** Vor der Montage oder dem Wechsel von Zubehör immer das Netzkabel aus der Steckdose ziehen.



1. Die Sperre für die Werkzeugaufnahme komplett ausklappen und die Halterung soweit herausziehen, dass das Zubehör auf die Aufnahme gesetzt werden kann.
2. Das Zubehör auf die Werkzeugaufnahme setzen und sicherstellen, dass die Stifte an der Aufnahme in den Löchern am Zubehör sitzen.



3. Die Halterung bis zum Anschlag in die Werkzeugaufnahme drücken und die Sperre wieder komplett eindrücken.
4. Die Halterung kann auch komplett aus der Werkzeugaufnahme gezogen werden, wenn Zubehör verwendet wird, das keine offene Aufnahme hat.
5. Das Zubehör wie oben beschrieben montieren, die Halterung in die Werkzeugaufnahme schieben und die Sperre komplett einklappen.  
**Hinweis:** Die Halterung ist in seinem Anschluss an die Werkzeugaufnahme viereckig und kann nur auf eine Weise hineingeschoben werden.

## Austausch des Schleifpapiers

Das Schleifpapier wird mit Klettverschluss befestigt. Das benutzte Schleifpapier abziehen, bei Bedarf den Klettverschluss am Werkzeug reinigen und dann das neue Schleifpapier festsetzen.

## Das Multiwerkzeug einschalten

1. Vor dem Anschließen an die Steckdose sicherstellen, dass sich der Schalter (3) in Stellung **0** (aus) befindet.
2. Den Netzschalter in Stellung **I** (ein) schieben, um das Gerät zu starten.

## Einstellung der Geschwindigkeit

Die geeignete Geschwindigkeit kann mit dem Regler (4) während der Benutzung eingestellt werden. Welche Geschwindigkeit geeignet ist, beruht auf der auszuführenden Arbeit sowie auf dem zu bearbeitenden Material. Durch Ausprobieren die geeignete Geschwindigkeit ermitteln. Das Gerät hat Konstantelektronik, wodurch die eingestellte Geschwindigkeit auch bei Belastung gehalten wird.

## Schneiden und Sägen

Bei der Benutzung des Sägeblatts vorsichtig vorgehen. Den Arbeitsbereich überprüfen um auf evtl. Nägel, Schrauben usw. gefasst zu sein, die zum Verlust der Kontrolle über das Elektroh Handwerkzeug führen können. Beim Schneiden von Wandplatten darauf achten, dass es bei langandauernder Benutzung zu Verschleiß am Sägeblatt kommen kann.

## Schleifen

- Immer fehlerfreies Schleifpapier anwenden und regelmäßig auswechseln. Dies verbessert das Ergebnis und verlängert die Lebensdauer des Elektroh Handwerkzeuges.
- Beim Schleifen einen leichten, gleichmäßigen Druck ausüben. Die Schleifleistung erhöht sich nicht durch hohen Druck sondern beschleunigt Verschleiß am Schleifpapier und Elektroh Handwerkzeug.
- Kein Schleifpapier für Holz anwenden, das zuvor für Metall benutzt wurde.

## Pflege und Wartung

- Ein beschädigter Netzstecker darf nur von einem qualifizierten Elektriker ausgetauscht werden.
- Die Belüftungsöffnungen des Motors (5) immer frei von Verschmutzungen halten.
- Das Gerät mit einem leicht feuchten Tuch reinigen. Ein sanftes Reinigungsmittel verwenden, keine scharfen Chemikalien oder Reinigungslösungen.
- Ein beschädigter Netzstecker muss von einem qualifizierten Elektriker ausgetauscht werden.
- Bei längerer Nichtbenutzung immer den Stecker ziehen und das Gerät in einem trockenen Innenraum und für Kinder unzugänglich aufbewahren.

## Fehlersuche

Das Gerät startet nicht.	<ul style="list-style-type: none"><li>• Sicherstellen, dass der Netzstecker intakt und korrekt an der Steckdose angeschlossen ist.</li><li>• Sicherstellen, dass Strom aus der Steckdose kommt.</li></ul>
Der Motor läuft langsam.	<ul style="list-style-type: none"><li>• Träges oder beschädigtes Zubehör. Zubehör austauschen.</li><li>• Die gewählte Geschwindigkeit ist für die auszuführende Arbeit zu niedrig. Die Drehzahl erhöhen.</li></ul>
Vibrationen oder ungewohnte Geräusche treten auf.	<ul style="list-style-type: none"><li>• Sicherstellen, dass das Zubehör korrekt montiert und das Gerät intakt ist.</li></ul>

## Hinweise zur Entsorgung

Dieses Symbol zeigt an, dass das Produkt nicht gemeinsam mit dem Haushaltsabfall entsorgt werden darf. Dies gilt in der gesamten EU. Um möglichen Schäden für die Umwelt und Gesundheit vorzubeugen, die durch fehlerhafte Abfallentsorgung verursacht werden, dieses Produkt zum verantwortlichen Recycling abgeben um die nachhaltige Wiederverwertung von stofflichen Ressourcen zu fördern. Bei der Abgabe des Produktes bitte die vorhandenen Recycling- und Sammelstationen benutzen oder den Händler kontaktieren. Dieser kann das Produkt auf eine umweltfreundliche Weise recyceln.



## Technische Daten

<b>Betriebsspannung</b>	230–240 V AC, 50 Hz
<b>Drehzahl</b>	11 000–20 000 /min
<b>Bewegung</b>	3,2°
<b>Leistung</b>	300 W
<b>Schallpegel</b>	LpA 83 dB(A), K: 3 dB LwA 94 dB(A), K: 3 dB Bei einem Schallpegel von über 80 dB immer einen Gehörschutz tragen
<b>Schwingungswert</b>	$a_h$ 3,45 m/s <sup>2</sup> , K: 1,5 m/s <sup>2</sup>
<b>Gewicht</b>	1,5 kg

# Declaration of Conformity

Försäkran om överensstämmelse  
Samsvarerklæring  
Vakuutus yhdenmukaisuudesta  
Konformitätserklärung



Declares that this product complies with the requirements of the following directives and standards  
Intygar att denna produkt överensstämmer med kraven i följande direktiv och standarder  
Bekrefter at dette produktet er i samsvar med følgende direktiver og standarder  
Vakuuttaa, että tämä tuote täyttää seuraavien direktiivien ja standardien vaatimukset  
Erklärt hiermit, dass dieses Produkt die Anforderungen und Bestimmungen folgender Richtlinien erfüllt

## MULTI-FUNCTION TOOL

Cocraft 40-9926  
PMF300S.1

Machinery Directive 2006/42/EC	EMC Directive 2014/30/EU	
EN 60745-1:2009 +A11:2010 EN 60745-2-4:2009 +A11:2011	EN 55014-1:2006 +A1:2009+A2:2011 EN 55014-2:1997 +A1:2001+A2:2008+2015 EN 61000-3-2:2006 +A1:2009+A2:2009 EN 61000-3-3:2013	

Henrik Alfredsson  
Manager Technique & Quality

Insjön, Sweden, 2017-01-31

CLAS OHLSON AB, SE-793 85 INSJÖN, SWEDEN









## Sverige

---

Kundtjänst                    tel: 0247/445 00  
                                      fax: 0247/445 09  
                                      e-post: kundservice@clasohlson.se

Internet                        www.clasohlson.se

Post                              Clas Ohlson AB, 793 85 INSJÖN

## Norge

---

Kundesenter                tlf.: 23 21 40 00  
                                      faks: 23 21 40 80  
                                      e-post: kundesenter@clasohlson.no

Internett                      www.clasohlson.no

Post                              Clas Ohlson AS, Postboks 485 Sentrum,  
0105 OSLO

## Suomi

---

Asiakaspalvelu            puh.: 020 111 2222  
                                      sähköposti: asiakaspalvelu@clasohlson.fi

Internet                        www.clasohlson.fi

Osoite                           Clas Ohlson Oy, Kaivokatu 10 B,  
00100 HELSINKI

## Great Britain

---

Customer Service        contact number: 020 8247 9300  
                                      e-mail: customerservice@clasohlson.co.uk

Internet                        www.clasohlson.co.uk

Postal                           10 – 13 Market Place  
Kingston Upon Thames  
Surrey  
KT1 1JZ

## Deutschland

---

Kundenservice            Hotline: 040 2999 78111  
                                      E-Mail: kundenservice@clasohlson.de

Homepage                    www.clasohlson.de

Postanschrift                Clas Ohlson GmbH, Jungfernstieg 38,  
20354 Hamburg