

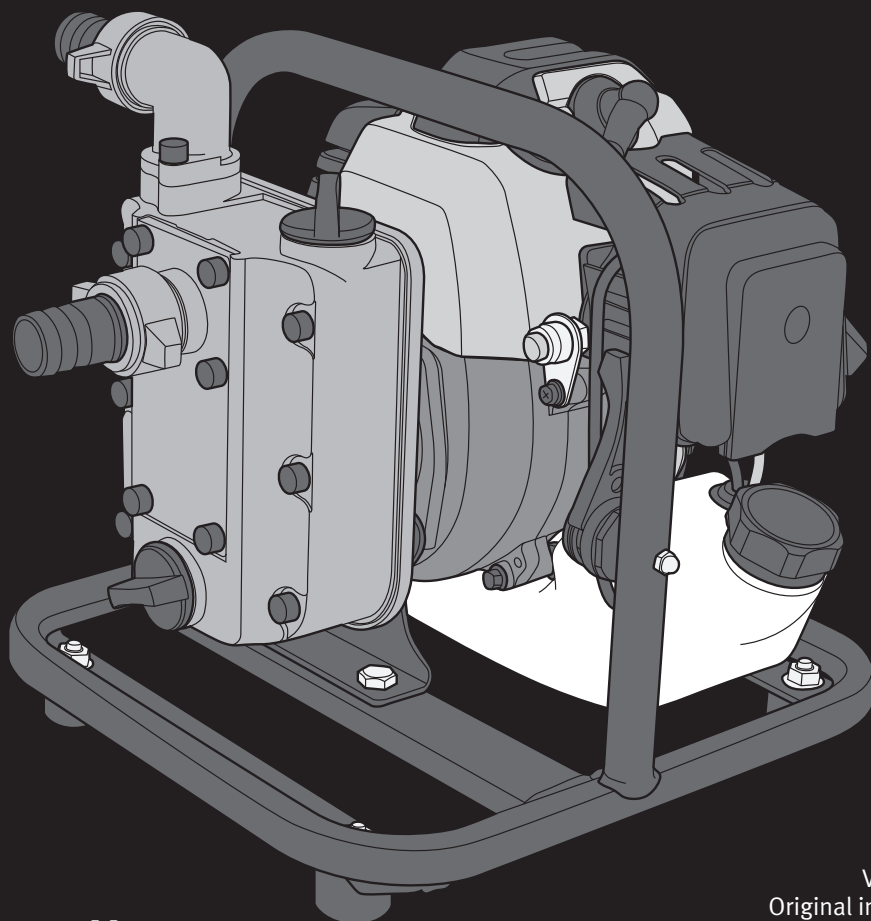
# CO/TECH®

## Pump

Pump

Pumpe

Pumppu



### Important!

Read the entire instruction manual carefully and make sure that you fully understand it before you use the equipment. Keep the manual for future reference.

### Viktig information:

Läs hela bruksanvisningen noggrant och försäkra dig om att du har förstått den innan du använder utrustningen. Spara bruksanvisningen för framtida bruk.

### Viktig informasjon:

Les disse anvisningene nøye og forsikre deg om at du forstår dem, før du tar produktet i bruk. Ta vare på anvisningene for seinere bruk.

### Tärkeää tietoa:

Lue nämä ohjeet huolellisesti ja varmista että olet ymmärtänyt ne, ennen kuin alat käyttää laitetta. Säilytä ohjeet myöhempiä tarvetta varten.

ART.NO  
30-9529

MODEL  
IE40F-5A

Ver. 201106  
Original instructions  
Bruksanvisning i original  
Original bruksanvisning  
Alkuperäinen käyttöohje

ENGLISH

SVENSKA

NORSK

SUOMI



# Pump

ART.NO 30-9529    MODEL IE40F-5A

Please read the entire instruction manual before use and save it for future reference. We reserve the right for any errors in text or images and for making any necessary technical changes to this document. If you should have any questions concerning technical problems please contact our Customer Services.

## 1. Safety symbols on the machine



**Warning!** Hot surface.



**Warning!** Highly flammable.

## 2. Important safety information

**Note!** Always turn off the engine before servicing, adjusting or cleaning the pump.

The pump is only intended for pumping water (not drinking water); other applications may harm the user or the pump.

Most accidents can be prevented if you follow the directions in this manual and on the pump. The most common hazards are described below, together with instructions on how to protect yourself and others.

### 2.1 The user's responsibility

It is the responsibility of the user to make sure that all safety regulations are being followed, in order to protect people and property. You have to be able to turn off the engine quickly, in case of danger. Never leave the pump operating without supervision, turn off the engine if you have to leave it out of sight. Learn how all the controls and connections work.

Everyone operating the pump must read the manual and be given all necessary information. Never let minors operate the pump. Keep children and animals away from the pump when it is running.

### 2.2 Range of application

Only pump water that is not intended for drinking. Pumping flammable liquids, such as petrol or fuel oil, may lead to explosion or fire, resulting in heavy damage. Pumping seawater, acid, chemicals or other corrosive fluids may damage the pump.

### 2.3 Refuelling

Petrol is highly flammable, and petrol fumes may explode. Only refuel outdoors, in a well ventilated place, on a flat surface, with the engine turned off. Do not overfill the fuel tank. Do not smoke while refuelling, and remove all ignition sources, sparks, open flames and so on from places where fuel is mixed, handled or stored. Always store fuel in approved cans. Wipe up all spillage from the place of refuelling before starting the engine.

### 2.4 Hot surfaces

The silencer becomes very hot during operation, and it remains hot for a while after being turned off. Keep hands and other body parts clear of the silencer during, and immediately after use. Let the engine cool off before transportation or indoor storage.

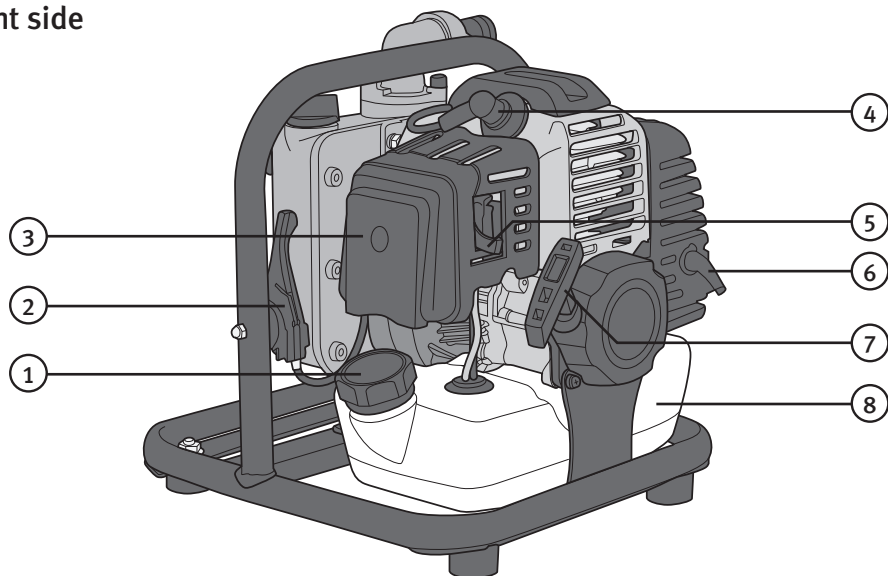
Prevent the risk of fire by only using the pump more than 1 metre away from houses, buildings and other equipment, do not place flammable objects close to the engine.

### 2.5 Carbon monoxide, risk of poisoning

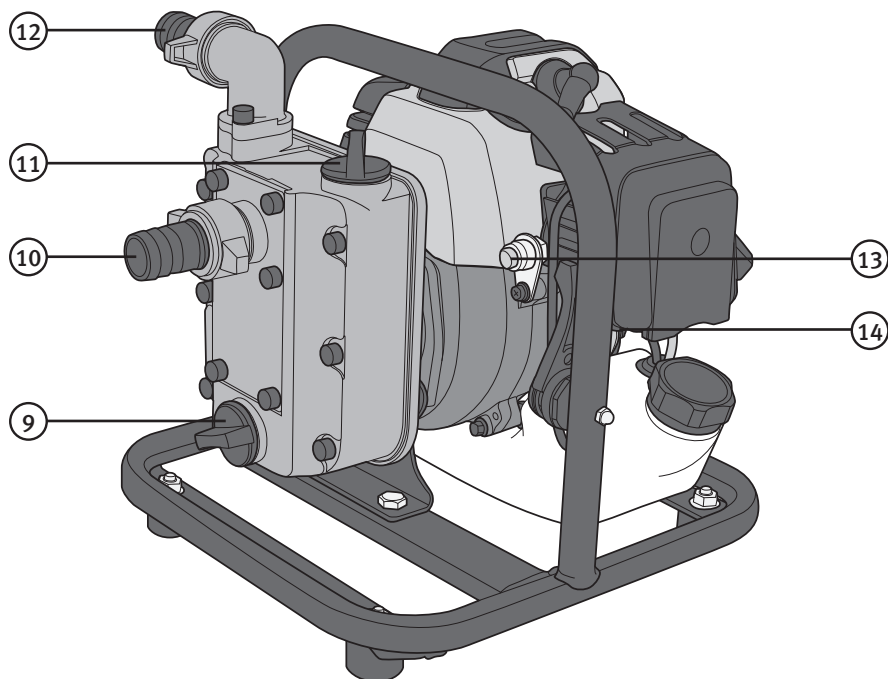
The exhaust fumes are dangerous to inhale, they contain poisonous carbon monoxide. Never start the engine in an enclosed room or in any building that is not well ventilated.

### 3. Description

#### Right side



#### Left side



- 1. Filler cap
- 2. Throttle lever
- 3. Air filter cover
- 4. Spark plug  
screened terminal
- 5. Choke

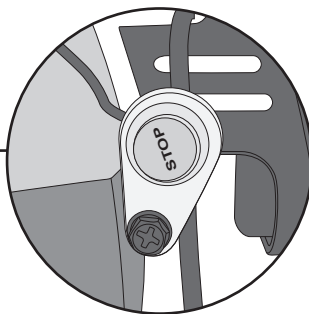
- 6. Silencer
- 7. Recoil starter handle
- 8. Fuel tank
- 9. Draining plug
- 10. Inlet
- 11. Filling plug

- 12. Outlet
- 13. Stop button
- 14. Primer pump  
(under the carburettor)

### 3.1 Controls

#### **Stop button**

Press and hold the stop button to stop the engine.

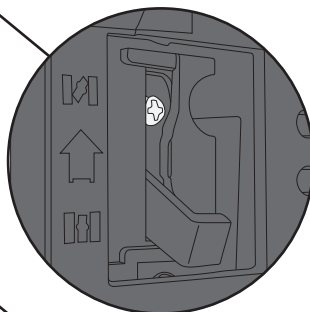


#### **Choke**

Opens and closes the choke in the carburettor.

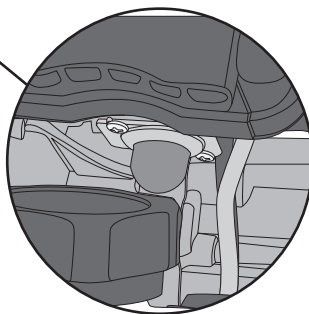
In closed position (upwards) it gives a richer fuel mixture to start a cold engine.

In open position (downwards) it gives the right fuel mixture for normal operation and to start a warm engine.



#### **Primer pump**

Push the primer pump (under the carburettor) about 8 times before start, to give the engine extra fuel for an easier start.

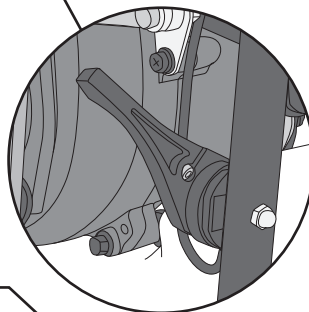


#### **Throttle lever**

The throttle lever controls the rotation speed of the engine.

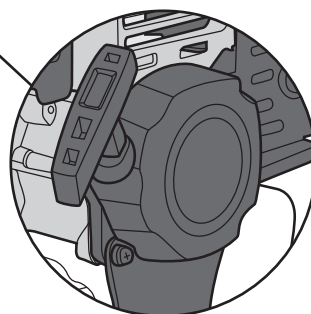
Push the throttle lever downwards to increase the rotation speed of the engine and upwards to lower it (vertical = idling and horizontal = maximum rotation speed).

The capacity of the pump is controlled by changing the rotation speed of the engine with the throttle lever (horizontal = maximum volume and continuous adjustment to vertical = minimum volume).



#### **Recoil starter handle**

**Note!** Pull the handle upwards and out, if the angle is wrong the friction against the edge of the sleeve will wear out the starting cord and break it prematurely. Hold on to the handle after attempting to start and slowly release it back, never let go of the handle entirely after the pull, it might get entangled or break something on the pump.



## 4. Before use

- Read through the whole manual and make sure you understand it, learn where the controls are and how they work.
- Acquaint yourself with the pump and its functions before you start using it; learn what to do to quickly minimize potential risks that may arise.
- Be completely sure about what kind of fluid you will be pumping. This pump is only intended for pumping clean water that is not to be used as drinking water.
- Check that all nuts, screws, bolts, hose couplings and plugs are secure.
- Check the condition of the hoses before connecting them to the pump; remember that the suction hose must be reinforced so that it does not implode from the suction when the pump is operating.
- Check that the gasket where the suction hose is attached is undamaged and intact.
- Check that the connections and any hose clips are tightened.
- Check that a functioning inlet filter is fitted on the suction hose.
- Check that the air filter is intact and clean. A dirty air filter reduces the induction air, and the engine loses power.

## 5. Operation

### 5.1 Safe operation

Before using the pump for the first time you have to read: *2. Important safety information* and *4. Before use*.

For your own safety, avoid starting the engine in a non-ventilated space. The exhaust fumes are very dangerous to inhale, they contain poisonous carbon monoxide that may lead to unconsciousness or death.

Only pump water that is not intended for drinking. Pumping flammable fluids, such as petrol or fuel oil, may lead to explosion or fire, resulting in heavy damage. Pumping seawater, acid, chemicals or other corrosive fluids may damage the pump.

### 5.2 Placement of the pump

The highest capacity and the shortest suction time at start-up will be achieved when the pump is placed near the surface of the water. Do not use a longer hose than necessary.

If the total head is increased, the capacity of the pump is reduced. The type, length and diameter of the hose used also noticeably affects the capacity.

The pressure head for the pump is always larger than the suction head, so the suction hose should be as short as possible.

Low suction head is also very important in order to reduce the suction time at start-up (the time it takes before the entire pump housing and suction hose is filled with water).

### 5.3 Fitting the suction hose

The suction hose must be equipped with an inlet filter, and ideally with a non-return valve (the non-return valve reduces the suction time at up-start).

The suction hose should not be longer than necessary, the optimal pump capacity is achieved when the pump is placed near the surface of the water and the suction hose is short.

Never use a suction hose with an inner diameter smaller than 25 mm (1").

Use a hose clip to fix the suction hose to the inlet, secure tightly to avoid a leak. Check that the inlet gasket is intact.

Fit the enclosed suction filter on the other end of the suction hose and secure it by using a hose clip. The inlet filter reduces the risk of the pump becoming clogged or damaged by contamination.

## 5.4 Fitting the pressure hose

Attach a pressure hose (not enclosed) to the outlet on the pump. It should be as short as possible and have as large a diameter as possible. This reduces the resistance and increases the capacity, while the opposite (a long and narrow hose) greatly reduces the capacity.

If the pressure hose is equipped with a shut-off valve or a nozzle that can be closed, do not use it to shut off the flow for longer periods of time, the pump may become overheated.

Do not tighten the outlet adapter too hard, it may damage the threads.

## 5.5 Refilling the pump housing with water

Remove the filling plug on top of the pump housing before starting the engine, and fill the entire pump housing with water, put the filling plug back in its place and tighten it securely.

Running the pump dry harms the seals.

If the pump has been run dry after all: immediately turn off the engine and let the pump cool off, then refill the pump housing with water.

## 5.6 Start the engine

1. When starting a cold engine: close the choke (upwards).
2. When starting a warm engine: open the choke (downwards).
3. Set the throttle lever to half way.
4. Push the primer pump about 8 times, until there is fuel coming through the transparent return tube on the carburettor.
5. Hold on to the carrying handle with one hand; pull out the recoil starter handle until resistance is felt, then jerk the recoil starter handle. Hold on to the handle after the attempt to start and slowly release it back, never let go of the handle entirely after the pull, it might get entangled or break something on the pump.
6. Carefully switch the choke to the open position (downwards) once the engine becomes warm.

## 5.7 Set the required rotation speed of the engine

Turn the throttle lever to full throttle to let the pump begin suction, control the flow in the pressure hose.

The flow of the pump is adjusted by changing the rotation speed of the engine.

Increase the gas to increase the flow, and reduce it to reduce the flow.

## 5.8 Turn off the engine

**Quick shut off in case of danger:** Press the stop button and hold until the engine has stopped completely.

- Normal shut off:**
1. Turn the throttle lever to idling and let the engine wind down.
  2. Press the stop button.

Open the draining plug and let the water out of the pump housing, rinse the pump housing with clean water and let it drain out, replace the draining plug and tighten it.



## 6. Service and maintenance

**Warning!** Not following all the safety regulations and instructions may lead to you getting hurt or killed. Always follow all the safety regulations and instructions.

### 6.1 Safety regulations

Make sure that the engine is turned off before you carry out any service or maintenance, this will eliminate the following risks:

- **Carbon monoxide poisoning from exhaust fumes**  
The place where you start the engine must have good ventilation.
- **Burn injury**  
Let the engine and the silencer cool off completely before you touch them.
- **Injury caused by rotating parts**  
Do not run the engine unless it is absolutely necessary.

Read all the instructions before carrying out service or maintenance; make sure that you have the necessary knowledge and the right equipment.

Prevent fire or explosions by being careful when handling fuel. Never use petrol or other flammable liquids for cleaning.

Remove all ignition sources, sparks, open flames and so on from places where fuel is mixed, handled or stored. Do not smoke near the fuel.

### 6.2 Maintenance

- For your own safety, and to make the pump last as long as possible, it is important to check the condition of the pump before use. Correct any defects yourself, or let a qualified technician make reparations before use.
- Remove dirt, leaves or other contaminations, especially around the silencer, the starter apparatus and the cooling flanges.
- Check for signs of damage on the pump housing and the engine.
- Check that all nuts, screws, bolts, hose couplings and plugs are secure.
- Check the condition of the hoses before connecting them to the pump; remember that the suction hose must be reinforced so that it does not implode from the suction when the pump is operating.
- Check that the gasket where the suction hose is attached is undamaged and intact.
- Check that the connections and any hose clips are tightened.
- Check that a functioning inlet filter is fitted on the suction hose.
- Check that the air filter is intact and clean. A dirty air filter reduces the induction air, and the engine loses power.

### 6.3 Refilling fuel

**Note!** Only refuel if you are completely sure that the can contains two-stroke fuel!

The fuel level is visible in the transparent fuel tank. When you see that the level is low, turn off the engine, let it cool down and then refuel in a well-ventilated place.

**Warning!**

- Petrol is highly flammable and explosive.
- You may get burnt or get seriously injured when handling fuel. Stop the engine and remove all ignition sources such as sparks, open flames and so on. Do not smoke. Only handle fuel outdoors. Wipe up any spilled fuel immediately.
- Place the pump on a flat surface. Remove the filler cap and carefully refill the tank with petrol, do not over fill it! Tighten the filler cap securely.
- Never refill fuel indoors, where the fumes may ignite from sparks or open flames. Keep the fuel away from grills, electrical equipment, candles and so on.
- Spilled fuel is not only a fire hazard; it is also an environmental hazard. Wipe up any spillage immediately.

**6.4 Fuel**

Mix petrol (unleaded 95 octane, no added ethanol) with a good quality two-stroke oil, intended for an air-cooled two-stroke engine.

Recommended ratio of mixture: petrol/oil 50:1 (2 %).

**Note!** Be precise when mixing.

1. Carefully measure petrol and oil before mixing them.
2. Pour some of the petrol into a clean can, approved for fuel.
3. Pour in all of the oil and shake the can.
4. Pour in the rest of the petrol and shake the can for at least a minute. Some oils are hard to mix, so it is important to shake the can to mix oil and petrol. The engine will last longer if the fuel has been mixed well. If the fuel has not been mixed right, the engine might run on too lean a mixture, which increases the risk for engine damage.
5. Mark the can so that there can be no misunderstanding regarding the content.
6. Oil-mixed fuel is only intended for two-stroke engines, and pure petrol for four-stroke engines, therefore it is very important to mark the fuel cans.

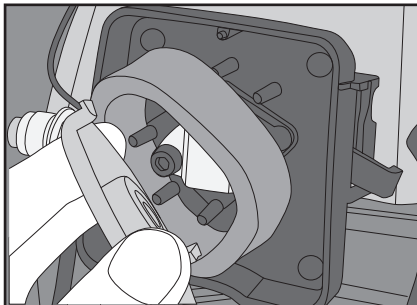
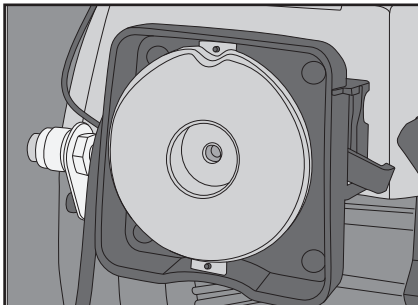
**Note!** Do not mix too much fuel; the mixed fuel should be used within 90 days.

**Warning!** Use only oil-mixed fuel for two-stroke engines, using pure petrol without any oil mixed in quickly leads to engine damage not covered by the guarantee.

- Use only unleaded petrol 95 octane (minimum 86 octane).
- The engine was designed to be used with unleaded fuel.
- Use unleaded fuel to protect the environment and your own health.
- Bad quality fuel or oil may harm the seals, the fuel lines or the fuel tank.

**6.5 Inspecting the air filter**

Unfasten the screw that holds the air filter cover (above the filler cap); check that the plastic foam filter is clean and intact. Do this frequently if you use the pump in dusty environments.



### ***Clean the filter this way***

1. Remove the plastic foam filter and the cover plate; use a moist cloth to remove dirt from the cover plate and the air filter cover.
2. Wash the filter in soapy water. Do not use petrol!
3. Squeeze the filter and then let it air dry.
4. Dip the filter into motor oil and then squeeze out superfluous oil.
5. Put back the filter and the cover plate (note that the escutcheon plate is fastened by two screws), and then fit the air filter cover.
6. Make sure that the air filter cover is securely fastened so that it won't shake loose.

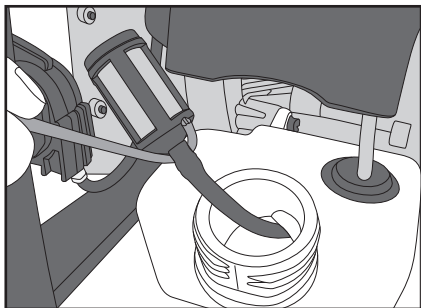
**Note!** Never run the engine without an air filter (or with a damaged air filter); contaminants may be pulled into the engine and cause wear not covered by the guarantee.

## **6.6 Inspecting and cleaning the fuel tank, fuel filter and fuel lines**

### **Warning!**

You may get burnt or get seriously injured when handling fuel.

- Remove all ignition sources such as sparks and open flames. Do not smoke.
  - Only handle fuel outdoors.
  - Wipe up any spilled fuel immediately.
1. Carefully open the filler cap and let out any pressure that might have built up inside the tank. Wipe up any spillage and pour the remaining fuel into a petrol can.
  2. Pull out the fuel line/fuel filter, using for instance a bent piece of iron wire.



3. Inspect the fuel filter and change it if clogged.
4. Change the fuel filter by pulling it loose (it is easier if you twist the filter).
5. Put in a new fuel filter.
6. Remove dirt and precipitation from the bottom of the tank, do not use flammable solvents.
7. Check the two fuel lines between the carburettor and the fuel tank, look for leaks or cracks, change if necessary.

## 7. Storage

It is very important that the pump is stored properly, in order for it to work well and be in good shape for a long time. Follow these instructions to protect the pump against rust and other things that may impair function and appearance, it will also be easier to start the engine the next time.

1. Pour the remaining fuel from the tank into a petrol can.
2. Put clean water in the pump housing (note that the pump must not be run dry).
3. Start the engine.
4. Let the engine idle until it stops, to empty the carburettor of fuel.
5. Clean the outside of the pump and rinse out the pump housing with clean water.
6. Wipe off all surfaces on the engine and the pump housing so that they become completely dry.
7. Use a spark plug tube to remove the spark plug.
8. Pour one teaspoon of pure two-stroke oil into the cylinder through the spark plug hole, slowly pull the recoil starter handle a few times to distribute the oil inside the engine, put back the spark plug.
9. Store the pump somewhere dry and well ventilated.

### 7.1 Fuel

Petrol is a perishable product that deteriorates when stored, volatile substances in petrol evaporates and precipitation from the remaining petrol may clog the carburettor so that it must be cleaned at a service shop.

The storage time of the fuel depends on: the quality of the fuel, the storage temperature and if the tank is half full or completely full. The air in a half full or almost empty tank accelerates the deterioration of the fuel; lots of warm air will also accelerate the breaking down of the fuel.

Mixed two-stroke fuel should be used within 3 months of purchase. Remember that the petrol you use to mix with oil might have been stored in a can for a long time.

It is possible to prolong the durability of the fuel by adding "Fuel stabilizer" specially developed to prevent the breakdown of the fuel.

1. Fill the tank all the way up with new petrol and add "Fuel stabilizer" according to the supplier's instructions.
2. Run the engine for ten minutes so that the fuel with the added ingredient has passed through the lines and the carburettor. (Remember that the pump must not be run dry).
3. Turn off the engine.

## 7.2 Empty the fuel tank and the carburettor

1. Carefully open the filling cap and let out any pressure that might have been building up inside the tank. Wipe up all spillage and pour the remaining fuel into a petrol can.
2. Press the primer pump several times until petrol is no longer visible in the transparent return tube.
3. Tip the pump and pour any remaining fuel into a petrol can.
4. Tighten the filling cap securely.

### Warning!

You may get burnt or get seriously injured when handling fuel.

- Remove all ignition sources such as sparks and open flames. Do not smoke.
- Only handle fuel outdoors.
- Wipe up any spilled fuel immediately.

If the pump is stored with fuel in the tank, it is important to reduce the risk of evaporating petrol fumes being ignited. Store the pump in a well ventilated place, far from boilers, stoves or electric motors that may give off sparks, electric tools/machines being used, and so on.

Avoid storing the pump somewhere with high atmospheric humidity, to prevent rust and corrosion.

Place the pump on a flat surface.

Cover the pump when it is completely cooled down, but do not use too tightly woven materials that will lock in any condensation, which may lead to rust and corrosion.

## 7.3 To use the pump after storing it for a longer period of time

1. Start by following all the steps under 4. *Before use*.
2. Refill with new fuel.

If the cylinder has been preserved with oil before storage, the engine will cause more smoke than usual the first time it is started again after being stored. This is completely normal.

## 8. Transport

Let the pump cool off for at least 15 minutes before loading it into a vehicle for transportation, or the warm silencer might melt or ignite materials.

## 9. Trouble shooting

### 9.1 Engine

<b>The engine won't start.</b>	<b>Likely cause</b>	<b>Solution</b>
Check the position of the controls.	Choke is open.	Close the choke, unless the engine is warm.
	Throttle lever is in wrong position.	Put throttle lever into starting position.
Fuel fault.	Ran out of fuel.	Refill with new fuel.
	Bad/old fuel.	Empty the tank and carburettor and refill with new fuel.
Check the spark plug.	Something wrong with the spark plug, or wrong electrode spacing.	Change the spark plug.
	The spark plug is moist.	Wipe off the spark plug and put it back. Turn the throttle lever to the "Full throttle" position and the choke to "Open" (downwards).

<b>The engine has no power.</b>	<b>Likely cause</b>	<b>Solution</b>
Check the air filter.	The filter is clogged.	Wash the air filter.
Check the fuel.	Old/bad fuel.	Empty the tank and carburettor and refill with new fuel.
Engine fault.	Engine fault.	Take the pump to an authorised machine shop.

### 9.2 Pump

<b>There is no water coming from the pump.</b>	<b>Likely cause</b>	<b>Solution</b>
Check the pump housing.	The pump housing is not filled with water.	Put in water.
Check the suction hose.	The suction hose is damaged or leaking.	Change the suction hose.
	The inlet filter is not completely under the surface of the water.	Lower the inlet filter under the surface and make sure it stays there.
	The suction connection is leaking.	Check that the gasket is fitted and intact, tighten the connection and the hose clip.
	The inlet filter is clogged.	Clean the inlet filter.
Measure the suction/pressure head.	The total head is too high.	Change the placement of the pump and/or hoses.

<b>The flow of the pump is too low.</b>	<b>Likely cause</b>	<b>Solution</b>
Check the throttle lever.	The throttle lever is positioned wrong.	Put throttle lever to "Full throttle".
Check the suction hose.	The suction hose may be damaged, leaking, or too long, or the diameter is too small.	Check the suction hose.
	Leaking suction connection.	Check that the gasket is fitted and intact, tighten the connection and the hose clip.
	The inlet filter is partly clogged.	Clean the inlet filter.
Check the pressure hose.	The hose is damaged, too long or the diameter is too small.	Change the hose.
Measure the suction/pressure head.	The total head is almost at maximum.	Change the placement of the pump and/or hoses.

## 10. Disposal

Follow local ordinances when disposing of this product. If you are unsure about how to dispose of this product contact your municipality.

## 11. Specifications

<b>Model</b>	IE40F-5A
<b>Engine</b>	Air-cooled two-stroke engine
<b>Cubic capacity</b>	42.7 cc
<b>Maximum engine power</b>	1.5 hp
<b>Fuel</b>	Mixture of petrol & oil 50:1 (2 %)
<b>Tankage</b>	1.2 litres
<b>Spark plug</b>	TORCH: L7T Champion: CJ6Y & CJ6RY NGK: BPM6A & BPMR6A
<b>Pump capacity</b>	135 l/min
<b>Maximum suction head</b>	7 m
<b>Maximum pressure head</b>	30 m
<b>Maximum water temp.</b>	35 °C
<b>Connection inlet/outlet</b>	1" external thread or hose nipple 25 mm (1")
<b>Idling speed</b>	2500 rpm
<b>Sound power level L<sub>WA</sub></b>	85 dB(A)
<b>Sound pressure level L<sub>pA</sub></b>	70 dB(A)
<b>Weight</b>	8 kg

# Pump

ART.NR 30-9529

MODELL IE40F-5A

Läs igenom hela bruksanvisningen före användning och spara den sedan för framtida bruk.

Vi reserverar oss för ev. text- och bildfel samt ändringar av tekniska data.

Vid tekniska problem eller andra frågor, kontakta vår kundtjänst (se adressuppgifter på baksidan).

## 1. Produktmärkning med säkerhetssymboler på maskinen



**Varning!** Het yta.



**Varning!** Mycket brandfarligt.



## 2. Viktig säkerhetsinformation

**Obs!** Stäng av motorn innan service, justering och rengöring av pumpen.

Pumpen är endast avsedd för att pumpa vatten (ej dricksvatten), annan användning kan skada användaren eller pumpen.

De flesta olyckor kan förhindras om du följer de anvisningar som finns i bruksanvisningen och på pumpen. De vanligaste riskerna beskrivs nedan tillsammans med anvisningar för att skydda dig och andra.

### 2.1 Användarens ansvar

Det är användarens ansvar att se till att alla säkerhetsregler följs för att skydda människor och egendom. Du måste kunna stänga av motorn snabbt vid fara. Lämna aldrig pumpen i drift utan tillsyn, stäng av motorn om du måste lämna området utom synhåll. Lär dig hur alla reglage och anslutningar fungerar.

Alla som använder pumpen måste läsa bruksanvisningen och ges all nödvändig information. Låt aldrig minderåriga använda pumpen. Håll undan barn och djur från pumpens närhet när den är i drift.

### 2.2 Användningsområde

Pumpa endast vatten som ej är avsett som dricksvatten. Användning av pumpen för pumpning av brandfarliga vätskor, t.ex. bensin eller eldningsolja, kan leda till explosion eller brand med mycket svåra skador som följd. Pumpning av havsvatten, syra, kemikalier och andra korrosiva vätskor kan skada pumpen.

### 2.3 Påfyllning av bränsle

Bensin är mycket brandfarligt, bensinångor kan explodera. Fyll endast på bränsle utomhus på en plan och väl ventilerad plats med motorn avstängd. Överfyll inte bränsletanken. Rök inte under tankning och avlägsna alla antändningskällor, gnistor, öppna lågor, tobaksrökning etc. från platser där bränsle blandas, hanteras eller förvaras. Förvara alltid bränsle i en godkänd dunk. Torka upp allt spill från tankningsplatsen innan motorn startas.

### 2.4 Heta ytor

Ljuddämparen blir mycket het under användning och förblir varm en stund även efter avstängning. Håll undan händer och andra kroppsdelar från ljuddämparen under drift och strax därefter. Låt motorn svalna innan transport eller förvaring inomhus.

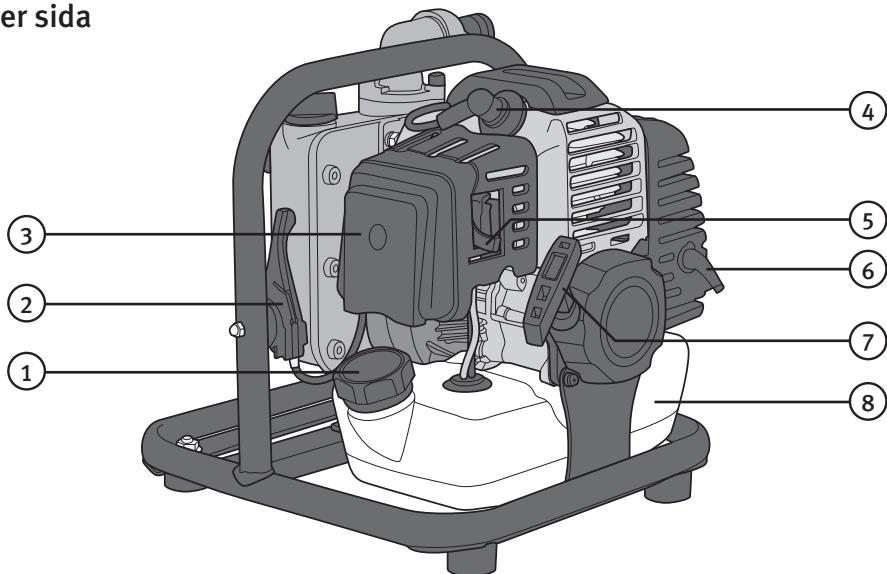
Förebygg brandfara genom att endast använda pumpen minst 1 meter från hus, byggnader och annan utrustning. Placera inte brännbara föremål nära motorn.

### 2.5 Koloxid, risk för förgiftning

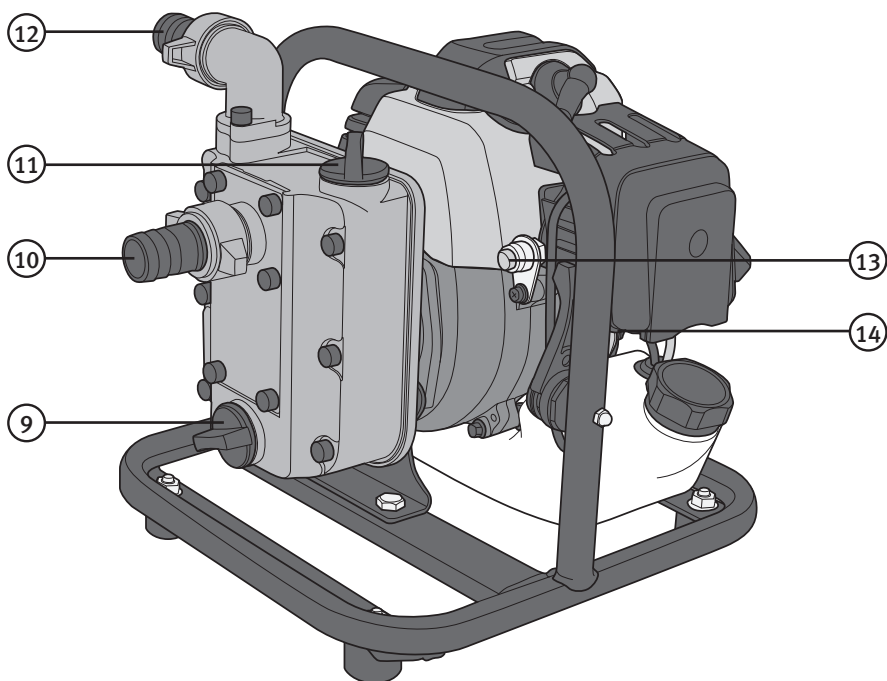
Avgaserna är farliga att andas in, de innehåller giftig koloxid. Starta därför aldrig motorn i ett stängt rum eller annan byggnad som inte är väl ventilerad.

### 3. Beskrivning

#### Höger sida



#### Vänster sida



1. Tanklock
2. Gasreglage
3. Luftfilterkåpa
4. Tändstiftshatt
5. Choke

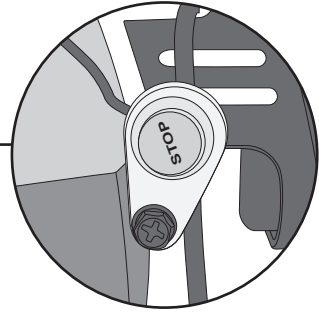
6. Ljuddämpare
7. Starthandtag
8. Bränsletank
9. Avtappningsplugg
10. Inlopp

11. Påfyllningsplugg
12. Utlopp
13. Stoppknapp
14. Primerpump  
(under förgasaren)

### 3.1 Reglage

#### Stoppknapp

Tryck och håll in stoppknappen för att stoppa motorn.

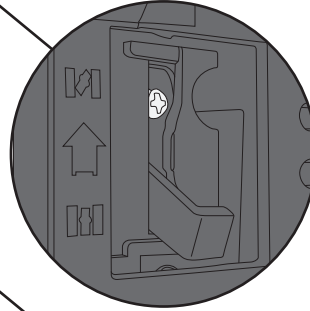


#### Chokereglage

Chokereglaget öppnar och stänger chokespjället i förgasaren.

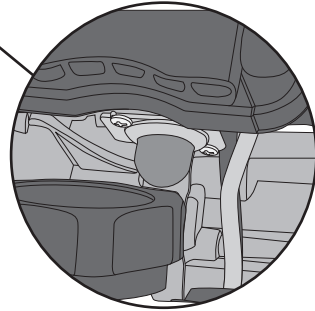
I stängt läge (uppåt) ger det en fetare bränsleblandning för start av kall motor.

I öppet läge (nedåt) ger det rätt bränsleblandning för normal drift och start av varm motor.



#### Primerpump

Tryck in primerpumpen (under förgasaren) ca 8 gånger innan start för att ge motorn överskottsbränsle så att den startar lättare.

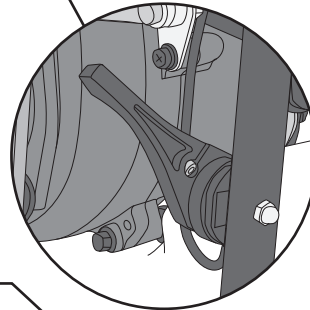


#### Gasreglage

Gasreglaget styr motorns varvtal.

För gasreglaget nedåt för att öka motorns varvtal och uppåt för att sänka (lodrät = tomgång och vågrät = maxvarvtal).

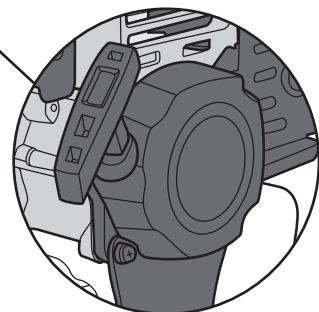
Pumpens kapacitet kontrolleras genom att ändra motorns varvtal med gasreglaget (vågrät = maxvolym och steglöst till lodrät = min. volym).



#### Starthandtag

**Obs!** Dra starthandtaget snett uppåt. Om draget är i fel vinkel gör friktionen mot kanten av bussningen att startsnöret slits och går av i förtid.

Håll kvar starthandtaget efter startförsöket och släpp tillbaka det sakta. Släpp aldrig starthandtaget helt efter rycket eftersom det kan trassla sig eller slå sönder något på pumpen.



## 4. Komma igång

- Läs igenom och förstå hela bruksanvisningen, lär dig var reglagen finns och hur de fungerar.
- Gör dig bekant med pumpen och dess funktion innan du börjar använda den. Lär dig vad som ska göras för att snabbt minska ev. risker som kan uppkomma.
- Försäkra dig om vilken vätska som ska pumpas. Pumpen är endast avsedd för att pumpa rent vatten som inte används som dricksvatten.
- Kontrollera att alla muttrar, skruvar, bultar, slangkopplingar och pluggar sitter fast.
- Kontrollera slangarna innan de ansluts till pumpen. Tänk på att sugslangen måste vara av förstärkt typ så att den inte sugs ihop när pumpen börjar användas.
- Kontrollera att packningen vid anslutningen till sugslangen är oskadad och hel.
- Kontrollera att anslutningar och ev. slangklämmor är åtdragna.
- Kontrollera att ett väl fungerande inloppsfilter är monterat på sugslangen.
- Kontrollera att luftfiltret är helt och rent. Ett smutsigt luftfilter minskar insugningsluften, och motorn tappar effekt.

## 5. Användning

### 5.1 Säker användning

Innan pumpen används för första gången, läs noggrant igenom denna bruksanvisnings samtliga delar.

Undvik att starta motorn i en lokal utan ventilation. Avgaserna är mycket farliga att andas in, de innehåller giftig koloxid som kan leda till medvetslöshet eller dödsfall.

Pumpa endast vatten som inte är avsett som dricksvatten. Användning av pumpen för pumpning av brandfarliga vätskor, t.ex. bensin eller eldningsolja, kan leda till explosion eller brand med mycket svåra skador som följd. Pumpning av havsvatten, syra, kemikalier och andra korrosiva vätskor kan skada pumpen.

### 5.2 Placering av pumpen

Den högsta kapaciteten och kortaste sugtiden vid uppstart ger pumpen om den placeras nära vattenytan. Använd inte längre slangar än vad som behövs.

Med ökande uppfodringshöjd minskar pumpens kapacitet. Slangarnas typ, längd och diameter påverkar också kapaciteten markant.

Tryckhöjden för pumpen är alltid större än sughöjden, vilket gör att sugslangen bör vara så kort som möjligt.

Låg sughöjd är också mycket viktigt för att minska sugtiden vid uppstart (den tid som det tar innan hela pumphuset och sugslangen är fyllda med vatten).

### 5.3 Montering av sugslang

Sugslangen ska vara försedd med ett inloppsfilter och gärna med en backventil (backventilen minskar sugtiden vid uppstart).

Sugslangen ska inte vara längre än vad som behövs, pumpens kapacitet är bäst när pumpen är nära vattenytan och sugslangen är kort.

Använd aldrig en sugslang som har mindre innerdiameter än 25 mm (1").

Använd en slangklämma före att fixera sugslangen på inloppet, dra åt hårt så att ingen läcka finns. Kontrollera att inloppets packning är hel.

Montera det bifogade sugfiltret i sugslangens andra ände och fixera det med en slangklämma, inloppsfiltret minskar risken för att pumpen blir igensatt eller skadad av föroreningar.

## 5.4 Montering av tryckslang

Anslut en tryckslang (medföljer ej) till utloppet på pumpen. Den bör vara så kort som möjligt och ha så stor diameter som möjligt, det minskar motståndet och ökar kapaciteten medan motsatsen (lång och smal slang) minskar kapaciteten väsentligt.

Om tryckslangen är försedd med en avstängningsventil eller ett munstycke som går att stänga, ska inte den användas för att stänga av flödet under en längre tid så att pumpen överhettas.

Dra inte åt utloppsadaptern för hårt så att gängorna skadas.

## 5.5 Påfyllning av vatten i pumphuset

Ta bort påfyllningspluggen på ovsidan av pumphuset innan motorn startas och fyll hela pumphuset med vatten. Sätt tillbaka påfyllningspluggen och dra åt den så att den sitter säkert.

Torrkörning av pumpen skadar tätningarna i pumpen.

Om pumpen trots allt har körts torr: Stäng av motorn direkt och låt pumpen kallna. Fyll sedan på vatten i pumphuset.

## 5.6 Starta motorn

1. Vid start av kall motor: Stäng chokereglaget (uppåt).  
Vid start av varm motor: Öppna chokereglaget (nedåt).
2. Ställ in gasreglaget på halvgas.
3. Tryck in primerpumpen ca 8 gånger tills det kommer bränsle i den transparenta returslangen på förgasaren.
4. Håll i bärhandtaget med en hand, dra ut starthandtaget tills ett motstånd känns och ryck till i starthandtaget. Håll kvar starthandtaget efter startförsöket och släpp tillbaka det sakta. Släpp aldrig starthandtaget helt efter rycket eftersom det kan trassla sig eller slå sönder något på pumpen.
5. Flytta försiktigt chokereglaget till öppet läge (nedåt) när motorn blir varm.

## 5.7 Ställ in önskat varvtal

Ställ in gasreglaget på full gas för att låta pumpen suga, kontrollera flödet i tryckslangen.

Pumpens flöde justeras genom att ändra motorns varvtal, öka gasen för att öka flödet och minska gasen för att minska flödet.

## 5.8 Stäng av motorn

**Snabbavstängning vid fara:** Tryck och håll in stoppknappen till motorn har stannat helt.

**Normal avstängning:**

1. Ställ gasreglaget på tomgång och låt motorn gå ner i varv.
2. Tryck in stoppknappen.

Öppna avtappningspluggen och låt vattnet rinna ur pumphuset. Skölj ur pumphuset med rent vatten och låt sedan vattnet rinna ur pumphuset. Skruva därefter tillbaka avtappningspluggen och dra åt.

## 6. Skötsel och underhåll

**Varning!** Om du inte följer alla säkerhetsföreskrifter och instruktioner kan det vålla olyckor eller leda till allvarlig personskada. Följ därför alltid alla säkerhetsföreskrifter och instruktioner.

### 6.1 Säkerhetsföreskrifter

Se till att motorn är avstängd innan du utför service eller underhåll, det undanröjer följande risker:

- **Koloxidförgiftning på grund av avgaser**  
God ventilation måste finnas där du startar motorn.
- **Brännskada**  
Låt motor och ljuddämpare kallna helt innan du vidrör dem.
- **Skada från roterande delar**  
Kör inte motorn om det inte är absolut nödvändigt.

Läs alla instruktioner innan du utför service eller underhåll, se till att du har nödvändig kunskap och rätt verktyg.

Förhindra brand eller explosion, var försiktig vid hantering av bränsle. Använd aldrig bensin eller andra brandfarliga ämnen till rengöring.

Avlägsna alla antändningskällor, gnistor, öppna lågor, tobaksrökning etc. från platser där bränsle blandas, hanteras eller förvaras.

### 6.2 Skötsel

- För din egen säkerhet och för att ge pumpen största möjliga livslängd, är det viktigt att alltid kontrollera pumpens skick innan användning. Laga eventuella fel själv eller låt en kvalificerad serviceverkstad reparera den innan användning.
- Ta bort smuts, löv och andra föroreningar, speciellt runt ljuddämpare, startapparat och kylflänsar.
- Leta efter tecken på skador på pumphus och motor.
- Kontrollera att alla muttrar, skruvar, bultar, slangkopplingar och pluggar sitter fast.
- Kontrollera slangarna innan de ansluts till pumpen. Tänk på att sugslangen måste vara av förstärkt typ så att den inte sugs ihop när pumpen börjar användas.
- Kontrollera att packningen vid anslutningen till sugslangen är oskadad och hel.
- Kontrollera att anslutningar och ev. slangklämmor är åtdragna.
- Kontrollera att ett väl fungerande inloppsfilter är monterat på sugslangen.
- Kontrollera att luftfiltret är helt och rent. Ett smutsigt luftfilter minskar insugningsluften, och motorn tappar effekt.

### 6.3 Påfyllning av bränsle

**Obs!** Tanka endast om du är helt säker på att dunken innehåller tvåtaktsbränsle!

Bränslenivån syns i den transparenta bränsletanken. Stäng av motorn, låt den kallna och fyll på bränsle när du ser att nivån är låg, utför på en väl ventilerad plats.

**Varning!**

- Bensin är mycket brandfarligt och explosivt.
- Du kan skadas allvarligt vid hantering av bränsle. Stoppa motorn och avlägsna alla antändningskällor som gnistor, öppna lågor, tobaksrökning etc. Hantera endast bränsle utomhus. Torka upp ev. bränslespill direkt.
- Ställ pumpen på en plan yta. Ta bort tanklocket och fyll försiktigt på bensin, överfyll inte! Dra åt tanklocket så att det sitter fast.
- Fyll aldrig på bränsle inomhus där bränsleångorna kan antändas av gnistor eller öppna lågor. Håll undan bränslet från grillar, elektrisk utrustning, levande ljus etc.
- Utspillt bränsle är inte endast en brandrisk, det är också en miljöfara. Torka upp ev. spill direkt.

**6.4 Bränsle**

Blanda bensin (95 oktan utan etanoltillsats) med en tvåtaktsolja av god kvalitet, avsedd för luftkylda tvåtaktsmotorer.

Rekommenderat blandningsförhållande: bensin/olja 50:1 (2 %).

**Obs!** Var noga med blandningen.

1. Mät noga upp bensin och olja innan blandning.
2. Häll i en liten del av bensinen i en ren dunk som är godkänd för bränsle.
3. Häll i all oljan och skaka dunken.
4. Häll i resten av bensinen och skaka dunken i minst en minut. Vissa oljor är svåra att blanda och det är därför viktigt att skaka dunken så att olja och bensin blandas. Motorn håller längre om bränslet är välblandat, om bränslet inte är rätt blandat kan motorn gå på för mager blandning med större risk för motorskador.
5. Märk dunken så att inga missförstånd om innehållet kan uppkomma.
6. Oljeblandat bränsle är endast avsett för tvåtaktsmotorer och ren bensin för fyrtaktsmotorer. Det är därför mycket viktigt att märka upp bränsledunkarna.

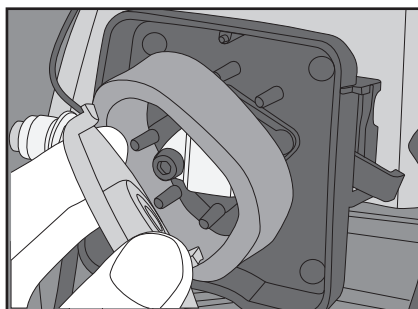
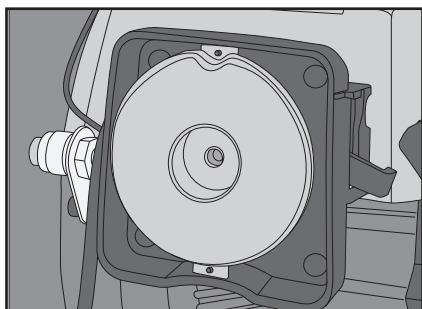
**Obs!** Blanda inte för mycket bränsle, det blandade bränslet bör användas inom 90 dagar.

**Varning!** Använd endast oljeblandat bränsle för tvåtaktsmotorer, användning av ren bensin utan inblandad olja leder mycket snabbt till motorskador som inte täcks av garantin.

- Använd endast 95 oktan bensin (minst 86 oktan).
- Motorn är konstruerad för att användas med oblyat bränsle.
- Bränsle eller olja av dålig kvalitet kan skada tätningar, bränsleledningar eller bränsletank.

**6.5 Inspektion av luftfilter**

Lossa skruven som håller fast luftfilterkåpan (ovanför tanklocket), kontrollera att skumplastfiltret är rent och oskadat. Gör detta ofta om du använder pumpen i dammiga miljöer.



### Rengör filtret så här

1. Ta loss skumplastfiltret och täckbrickan, använd en fuktad tvättduk för att ta bort smuts från täckbrickan och luftfilterkåpan.
2. Tvätta filtret i tvål och vatten. Använd inte bensin!
3. Krama ur filtret och låt det sedan lufttorka.
4. Doppa ner filtret i motorolja och krama sedan ur överflödiga olja.
5. Sätt tillbaka filtret och täckbrickan. **Obs!** Täckbrickan fixeras i över- och underkant av två stift. Montera luftfilterkåpan.
6. Se till att luftfilterkåpan sitter fast så att den inte skakar loss.

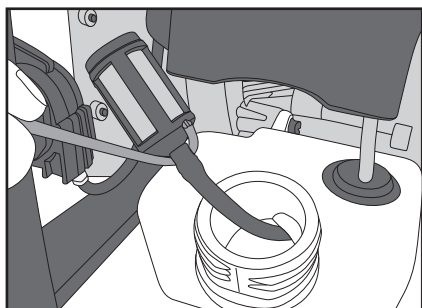
**Obs!** Kör aldrig motorn utan luftfilter (eller med skadat luftfilter). Föroreningar kan dras in i motorn och förorsaka slitage som inte täcks av garantin.

## 6.6 Inspektion och rengöring av bränsletank, bränslefilter och bränsleslangar

### Varning!

Du kan skadas allvarligt vid hantering av bränsle.

- Avlägsna alla antändningskällor som gnistor, öppna lågor, tobaksrökning etc.
  - Hantera endast bränsle utomhus.
  - Torka upp ev. bränslespill direkt.
1. Öppna tanklocket försiktigt och släpp ut trycket som kan ha uppkommit i tanken. Torka upp allt spill och håll över kvarvarande bränsle till en bensindunk.
  2. Dra ut bränsleslang/bränslefilter med t.ex. en böjd järntråd.



3. Inspektera bränslefiltret och byt om det är igensatt.
4. Byt bränslefiltret genom att dra loss det (vrid på filtret så går det lättare).
5. Sätt dit ett nytt bränslefilter.
6. Ta bort smuts och utfällningar i botten på tanken, använd ej lösningsmedel som är brandfarliga.
7. Kontrollera de båda bränsleslangarna mellan förgasare och bränsletank, leta efter läckage eller sprickor och byt ut vid behov.



## 7. Förvaring

Det är mycket viktigt att pumpen förvaras på rätt sätt för att den ska fungera bra och se bra ut under lång tid. Följ dessa råd för att skydda pumpen mot rost och annat som kan försämra funktion och utseende, det kommer också att bli lättare att starta motorn nästa gång.

1. Håll över kvarvarande bränsle i tanken till en bensindunk.
2. Fyll i rent vatten i pumphuset. **Obs!** Pumpen får inte torrköras.
3. Starta motorn.
4. Låt motorn gå på tomgång tills den stannar för att tömma förgasaren på bränsle.
5. Rengör pumpen utvändigt och skölj ur pumphuset med rent vatten.
6. Torka av alla ytor på motor och pumphus så att de blir helt torra.
7. Använd en tändstiftshylsa för att ta ur tändstiftet.
8. Håll i en tesked ren tvåtaktsolja in i cylindern genom tändstiftshålet, dra sakta i starthandtaget några gånger för att fördela oljan över motorns insida och sätt tillbaka tändstiftet.
9. Förvara pumpen på en torr och ventilerad plats.

### 7.1 Bränsle

Bensin är en färskvara som försämras under lagring. Lättflyktiga ämnen i bensin avdunstar och utfällningar från den kvarvarande bensinen kan sätta igen förgasaren så att den måste rengöras av en serviceverkstad.

Bränslets lagringstid påverkas av bränslets kvalitet, lagringstemperatur och om tanken är delvis eller helt fylld. Luften i en tank som är halvfylld eller nästan tom påskyndar försämringen av bränslet, mycket varm luft påskyndar också nedbrytningen av bränsle.

Blandat tvåtaktsbränsle ska användas inom 3 månader efter inköp. Tänk på att den bensin som du använder vid blandningen med olja kanske har lagrats länge i en dunk.

Det går att förlänga bränslets hållbarhet genom att tillsätta en bränslestabilisator som är speciellt utvecklad för att förhindra bränslets nedbrytning.

- Fyll tanken helt full med ny bensin och tillsätt en bränslestabilisator enligt leverantörens anvisning.
- Kör motorn i tio minuter så att bränslet med tillsatsen har passerat genom slangar och förgasare. **Obs!** Tänk på att pumpen inte får torrköras.
- Stäng av motorn.

## 7.2 Töm ur bränsletank och förgasare

1. Öppna tanklocket försiktigt och släpp ut trycket som kan ha uppkommit i tanken. Torka upp allt spill, luta pumpen och håll över kvarvarande bränsle till en bensindunk.
2. Tryck på primerpumpen flera gånger tills det inte längre syns någon bensin i den transparenta returslangen.
3. Luta pumpen och håll över ev. kvarvarande bränsle till en bensindunk.
4. Dra åt tanklocket så att det sitter fast.

### Varning!

Du kan skadas allvarligt vid hantering av bränsle.

- Avlägsna alla antändningskällor som gnistor, öppna lågor, tobaksrökning etc.
- Hantera endast bränsle utomhus.
- Torka upp ev. bränslespill direkt.

Om pumpen förvaras med bränsle i tanken, är det viktigt att minska risken för att bensinångor som avdunstar antänds. Förvara pumpen på en väl ventilerad plats långt ifrån värmepanna, kamin, elmotorer som kan avge gnistor, elektriska verktyg/maskiner som används etc.

Undvik att förvara pumpen på en plats som har hög luftfuktighet, för att förhindra att rost och korrosion uppkommer.

Placera pumpen på en plan yta.

Täck över pumpen när den har svalnat helt men använd inte helt täta material som håller kvar ev. kondens som kan leda till rost och korrosion.

## 7.3 Börja använda pumpen efter längre förvaring

1. Följ instruktionerna i avsnitt 4, 5 och 6.
2. Fyll på nytt bränsle, se avsnitt 6.

Om cylindern har konserverats med olja innan förvaring kommer motorn att röka mer än vanligt vid första start efter förvaringen, det är helt normalt.

## 8. Transport

Låt pumpen kallna i minst 15 minuter innan den lastas i ett fordon för att transporteras, annars kan den varma ljuddämparen smälta eller antända material.

## 9. Felsökning

### 9.1 Motor

Motorn startar inte.	Trolig orsak	Lösning
Kontrollera reglagens position.	Chokereglaget öppet.	Stäng chokereglaget, om inte motorn är varm.
	Gasreglaget står i fel läge.	Ställ gasreglaget i startläge.
Bränslefel.	Slut på bränsle.	Fyll på nytt bränsle.
	Dåligt/gammalt bränsle.	Töm ur tank och förgasare och fyll på nytt bränsle.
Kontrollera tändstift.	Fel på tändstift, eller fel elektrodavstånd.	Byt tändstift.
	Tändstiftet är fuktigt.	Torka tändstiftet och sätt tillbaka det. Ställ gasreglaget i läge "Full gas" och chokereglaget på "Öppet" (nedåt).

Motorn har ingen kraft.	Trolig orsak	Lösning
Kontrollera luftfiltret.	Filtret är igensatt.	Tvätta luftfiltret.
Kontrollera bränsle.	Dåligt/gammalt bränsle.	Töm ur tank och förgasare och fyll på nytt bränsle.
Motorfel.	Motorfel.	Lämna in pumpen till en auktoriserad verkstad.

### 9.2 Pump

Inget vatten kommer från pumpen.	Trolig orsak	Lösning
Kontrollera pumphuset.	Pumphuset är inte fyllt med vatten.	Fyll på vatten.
Kontrollera sugledningen.	Sugslangen skadad eller otät.	Byt ut sugslangen.
	Inloppsfiltret är inte helt nedsänkt under vattenytan.	Sänk ner inloppsfiltret under ytan och se till att det stannar kvar under ytan.
	Suganslutningen är otät.	Kontrollera att packningen är monterad och oskadad, dra åt anslutningen och slangklämman.
	Inloppsfiltret är igensatt.	Rengör inloppsfiltret.
Mät sug-/tryckhöjden.	Uppfordringshöjden för hög.	Ändra pumpens och/eller slangarnas placering.

Pumpen ger för lågt flöde.	Trolig orsak	Lösning
Kontrollera gasreglaget.	Gasreglaget står fel.	Ställ gasreglaget på "Full gas".
Kontrollera sugledningen.	Sugslangen skadad eller otät, för lång eller har för liten diameter.	Byt ut sugslangen.
	Otät suganslutning.	Kontrollera att packningen är monterad och oskadad, dra åt anslutningen och slangklämman.
	Inloppsfilteret är delvis igensatt.	Rengör inloppsfilteret.
Kontrollera tryckslangen.	Slangen är skadad, för lång eller har för liten diameter.	Byt slang.
Mät sug-/tryckhöjden.	Uppfordringshöjden ligger nästan på max.	Ändra pumpens och/eller slangarnas placering.

## 10. Avfallshantering

När du ska göra dig av med produkten ska detta ske enligt lokala föreskrifter. Är du osäker på hur du ska gå tillväga, kontakta din kommun.

## 11. Specifikationer

<b>Modell</b>	IE40F-5A
<b>Motor</b>	Luftkyld tvåtaktsmotor
<b>Cylindervolym</b>	42,7 cm <sup>3</sup>
<b>Max motoreffekt</b>	1,5 hk
<b>Bränsle</b>	Blandning bensin och olja 50:1 (2 %)
<b>Tankvolym</b>	1,2 liter
<b>Tändstift</b>	TORCH: L7T Champion: CJ6Y & CJ6RY NGK: BPM6A & BPMR6A
<b>Pumpkapacitet</b>	135 l/min
<b>Max sughöjd</b>	7 m
<b>Max tryckhöjd</b>	30 m
<b>Max vattentemperatur</b>	35 °C
<b>Anslutning inlopp/utlopp</b>	1" utv. gäng eller slangnippel 25 mm (1")
<b>Tomgångsvarvtal</b>	2500 rpm
<b>Ljudeffekt LwA</b>	85 dB(A)
<b>Ljudtryck LpA</b>	70 dB(A)
<b>Vikt</b>	8 kg

# Pumpe

ART.NR. 30-9529      MODELL IE40F-5A

Les nøye igjennom hele bruksanvisningen og ta vare på den til senere bruk. Vi reserverer oss mot ev. tekst- og bildefeil, samt forandringer av tekniske data. Ved tekniske problemer eller andre spørsmål, ta kontakt med vårt kundesenter (se opplysninger på baksiden).

## 1. Produktmerking med sikkerhetssymboler på maskinen



**Advarsel!** Varme overflater.



**Advarsel!** Meget brannfarlig.

## 2. Viktig sikkerhetsinformasjon

**Obs!** Skru av motoren før service, justering og rengjøring av pumpen.

Pumpen er kun beregnet for pumping av vann (ikke drikkevann). Annen bruk kan skade brukeren og/eller pumpen.

Ulykker kan unngås dersom du følger anvisningene som finns i denne bruksanvisningen og på pumpen. De vanligste farene er beskrevet nedenfor, sammen med tiltak for å unngå dem, samt anbefalinger om hvordan du kan beskytte deg og andre.

### 2.1 Brukerens ansvar

Det er brukerens ansvar å påse at alle sikkerhetsregler blir fulgt, for å beskytte mennesker og eiendom. Du må kunne skru av motoren raskt, når en faresituasjon oppstår. Forlat aldri pumpen mens den er i drift. Skru av motoren dersom du må forlate området uten tilsyn. Lær deg hvordan alle reguleringer og tilkoblinger fungerer.

Alle som bruker pumpen, må ha lest bruksanvisningen, og ha blitt gitt all nødvendig informasjon/opplæring. La aldri mindreårige bruke pumpen. Hold barn og dyr unna pumpen når den er i drift.

### 2.2 Bruksområde

Pumpen er kun beregnet til å pumpe vann med (ikke drikkevann). Bruk av pumpen for pumping av brannfarlige væsker, som f.eks. bensin eller fyringsolje, kan føre til eksplosjon eller brann, med store skader. Pumping av saltvann, syrer, kjemikalier eller væsker som kan forårsake korrosjon, kan skade pumpen.

### 2.3 Påfylling av drivstoff

Bensin er meget brannfarlig, og bensindamp kan eksplodere. Fyll på drivstoff på et godt ventilert sted, utendørs. Pass på at motoren er avskrudd, og at pumpen står stødig ved påfylling av drivstoff. Ikke fyll drivstofftanken for full. Ikke røyk mens du fyller drivstofftanken, og pass på at det ikke er gnister, åpen flamme eller andre antenningskilder i nærheten, mens tankingen pågår, eller der du lagrer eller blander drivstoff. Tørk opp alt spill fra tankplassen, før du starter motoren.

### 2.4 Varme overflater

Lyddemperen blir veldig varm ved bruk og den holder seg varm en god stund etter at motoren er skrudd av. Pass derfor på å ikke komme i kontakt med denne, da dette kan medføre brannskader på huden. La motoren kjøle før ev. transport til lagringsplass.

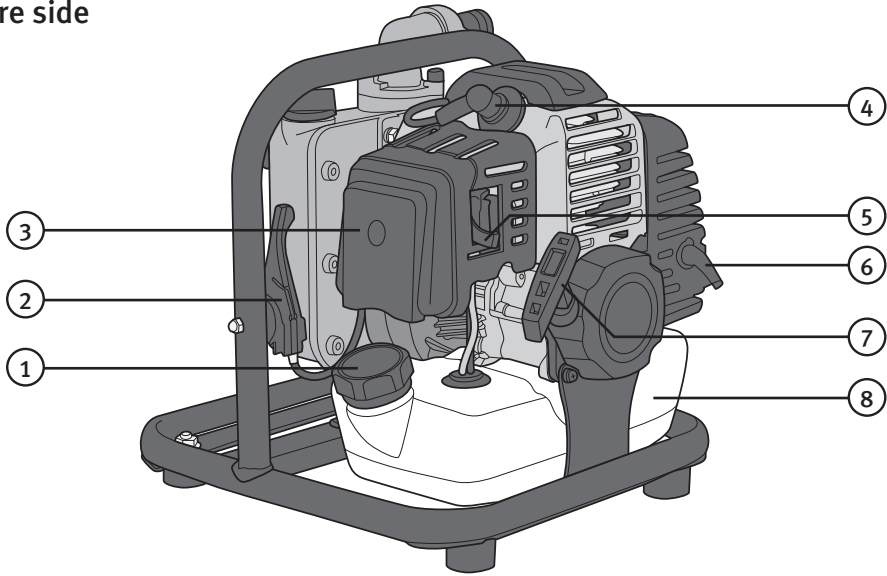
For å forebygge brann, bør pumpen stå minst 1 meter fra hus, bygninger og lignende. Ikke plasser brennbare gjenstander nær varm motor eller motor som er i drift.

### 2.5 Kulldioksid, fare for forgiftning

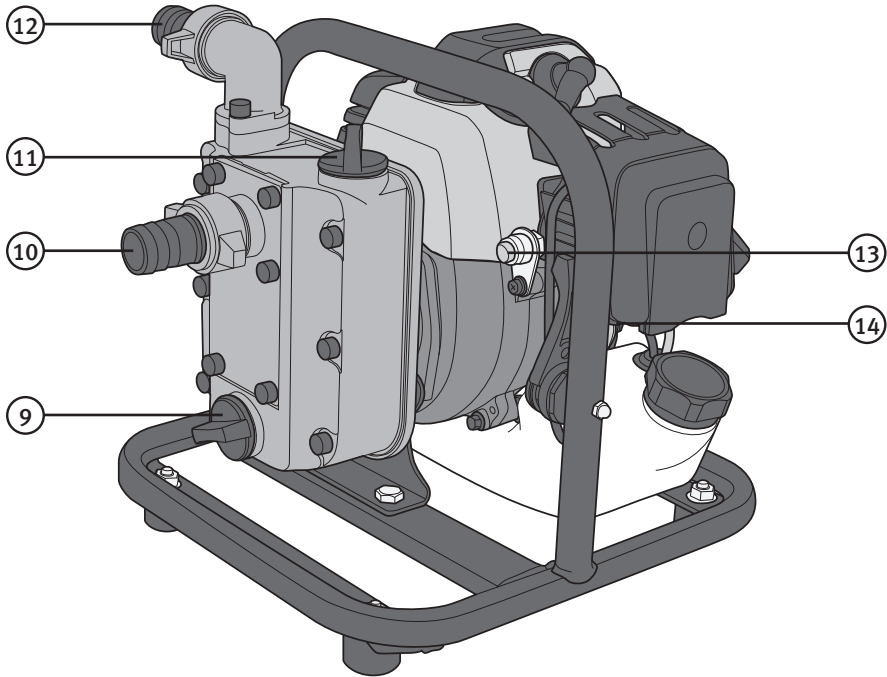
Det er meget helseskadelig å puste inn avgassene fra motoren, da disse inneholder giftig kulldioksid. Motoren må derfor aldri startes opp i et innestengt rom eller bygning som ikke har avsug eller er godt ventilert.

### 3. Beskrivelse

#### Høyre side



#### Venstre side



1. Tanklokk
2. Gassregulering
3. Luftfilterdeksel
4. Tennplugghette
5. Choke

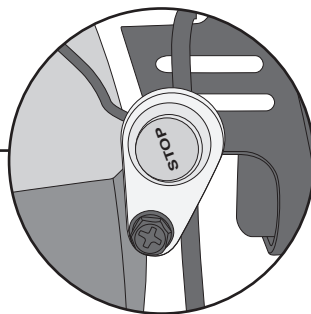
6. Lyddemper
7. Starthåndtak
8. Drivstofftank
9. Avtapningsplugg
10. Innløp

11. Påfyllingsplugg
12. Utløp
13. Stoppeknapp
14. Primærpumpe  
(under forgasseren)

## 3.1 Reguleringer

### Stoppeknapp

Trykk og hold stoppeknappen inne for å stenge motoren.

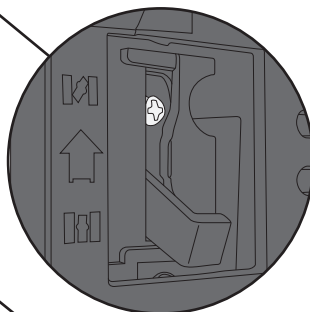


### Choken

Choken åpner og stenger chokespeilet i forgasseren.

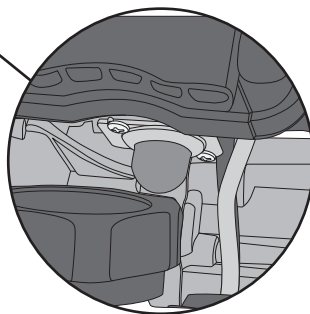
I stengt posisjon (oppover) gir det en fetere drivstoffblanding for start av kald motor.

I åpen posisjon (nedover) gir det riktig drivstoffblanding, for normal drift og start av varm motor.



### Primærpumpe

Trykk inn primærpumpen (under forgasseren) ca. 8 ganger, før du starter motoren. Den forsyner motoren med litt ekstra drivstoff, slik at den er enklere å starte.

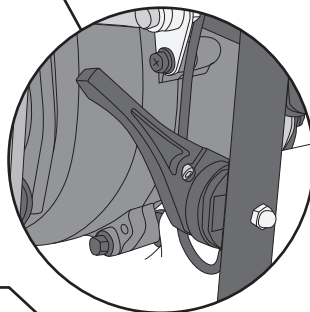


### Gassreguleringen/gassen

Gassen styrer motorens turtall.

Før gasshåndtaket nedover, for å øke motorens turtall, og oppover for å redusere det (loddrett = tomgang og vannrett = maks turtall).

Pumpens kapasitet kontrolleres ved å forandre motorens turtall med gassen (vannrett = maks volum og trinnløs til loddrett = min. volum).

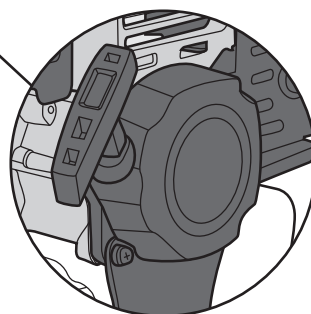


### Starthåndtak

**Obs!** Trekk starthåndtaket rett oppover.

Dersom du trekker skjevt vil det bli friksjon mot kanten av bussningen, og startsnoren vil slites raskt. Hold starthåndtaket i denne posisjonen etter at motoren har startet og slipp sakte tilbake.

Ikke slipp starthåndtaket umiddelbart etter oppstart. Da kan snøret floke seg eller håndtaket skade noe på pumpen.





## 4. Kom i gang

- Les gjennom og sørg for å forstå bruksanvisningen. Lær deg reguleringene og hvordan de fungerer.
- Gjør deg kjent med pumpen og dens funksjoner, før du begynner å bruke den. Lær deg også hva som må til for å raskt kunne gripe inn hvis ev. farer oppstår.
- Forsikre deg om hva slags væske som skal pumpes. Pumpen er kun beregnet for å pumpe rent vann (ikke drikkevann).
- Sjekk at alle mutre, skruer, bolter, slangekoblinger og pluggen sitter fast.
- Kontroller slangene før de kobles til pumpen. Sugelangene må være av en forsterket kvalitet, slik at den ikke «klapper sammen», ved oppstart av pumpe.
- Se til av pakningen ved luftinntaket er intakt.
- Pass på at tilkoblingene og ev. slangeklemmer er dratt til.
- Kontroller at det er innløpsfilter på sugelangene, og at dette er i orden.
- Kontroller at luftfilteret er helt og rent. Et filter som er tilsmusset, reduserer inntaket av luft og motoren blir mindre effektiv.

## 5. Bruk

### 5.1 Sikker bruk

Før du tar pumpen i bruk for første gang, må du lese hele bruksanvisningen.

Du må unngå å starte opp pumpen i et lukket rom uten ventilasjon. Det er meget farlig å puste inn avgassene. De inneholder giftig kulldioksid, som kan føre til at du besvimer og i verste fall dør.

Pump kun vann, som ikke er beregnet som drikkevann. Dersom du bruker pumpen til å pumpe brannfarlige væsker som f.eks. bensin eller fyringsolje, kan det føre til eksplosjon eller brann, med dertil følgende store skader. Pumping av saltvann, syre, kjemikalier eller andre væsker som kan føre til korrosjonsskader, kan skade pumpen.

### 5.2 Plassering av pumpen

Den beste effekten (høyeste kapasiteten og korteste sugetiden) oppnår du ved å plassere pumpen nær vannoverflaten. Ikke bruk lengre slanger enn nødvendig.

Med økt oppføringshøyde minsker pumpens kapasitet. Kapasiteten påvirkes også av slangenes type, diameter og lengde.

Trykkehøyden for pumpen er alltid større enn sugehøyden, så sugelangene bør være så kort som mulig.

Det er også viktig med lav sugehøyde, for å redusere sugetiden ved oppstart (den tiden det tar å fylle pumpehuset og slangen med vann).

### 5.3 Montering av sugeslange

Sugelangene skal være utstyrt med et innløpsfilter, og helst også en tilbakeslagsventil (tilbakeslagsventilen er med på å redusere sugetiden).

Sugelangene skal ikke være lengre enn nødvendig. Pumpens kapasitet er best når pumpen er nær vannoverflaten, og sugelangene er kort.

Bruk aldri en sugeslange, som har mindre diameter enn 2,5 mm (1").

Bruk en slangeklemme for å feste slangen i innløpet. Dra til slik at det ikke lekker luft inn. Kontroller at innløpets pakning er hel.

Monter det medfølgende sugefilteret i sugelangens andre ende, og fest det med en slangeklemme. Filteret er med på å redusere faren for at pumpen blir skadet eller «gror igjen».

## 5.4 Montering av trykkslange

Koble til en trykkslange (følger ikke med) til utløpet på pumpen. Den bør være så kort og ha så stor diameter, som mulig. Det reduserer motstanden og øker kapasiteten.

Dersom trykkslangen er utstyrt med en avstengningsventil eller et munnstykke, som kan stenges, må ikke denne stenges av over lengre tid, da dette kan føre til at motoren overopphetes.

Ikke trekk utløpsadapteren til for hardt. Da kan du skade gjengene.

## 5.5 Påfylling av vann i pumpehuset

Før motoren startes, må påfyllingspluggen på oversiden av pumpehuset fjernes. Fyll hele pumpehuset med vann, og sett tilbake påfyllingspluggen. Dra til slik at den sitter godt fast.

Tørrkjøring av pumpen kan skade tetningspakningene i pumpen.

Dersom du allikevel har startet pumpen tørr, må du umiddelbart skru den av, og la den avkjøles, før du fyller vann i pumpehuset.

## 5.6 Start av motor

1. Ved start av kald motor: Steng choken (oppover).  
Ved start av varm motor: Åpne choken (nedover).
2. Still inn gassreguleringen på halv gass.
3. Trykk inn primærpumpen ca. 8 ganger, til det kommer drivstoff i den transparente returslangen på forgasseren.
4. Hold i bærehåndtaket med en hånd og trekk i starthåndtaket til du kjenner motstand. Rykk til i starthåndtaket. Hold igjen starthåndtaket en stund etter start, og slipp det tilbake sakte, slik at snoren ikke knytter seg eller håndtaket ikke slår i stykker noe på pumpen.
5. Still choken forsiktig i åpen posisjon (nedover) når motoren er blitt varm.

## 5.7 Still inn ønsket turtall

Still gassen på fullt for å la pumpen få suge. Kontroller flyten i trykkslangen.

Flyten reguleres ved å stille turtallet. Gassen økes for å øke flyten og reduseres for å redusere flyten.

## 5.8 Skru av motor

**Hurtig avstenging ved fare:** Trykk stoppknappen og hold den inne, til motoren stopper helt.

**Normal avstenging:**

1. Still gassreguleringen på tomgang og la motoren redusere turtallet.
2. Trykk inn stoppknappen.

Åpne avtapningspluggen og la vannet fra pumpehuset renne ut. Skyll pumpehuset med rent vann, og la deretter vannet renne ut. Skru deretter igjen avtapningspluggen.

## 6. Stell og vedlikehold

### Advarsel!

Dersom du ikke følger alle instruksjoner i bruksanvisningen, kan det føre til alvorlige skader. Følg derfor alle sikkerhetsforskrifter og instruksjoner.

### 6.1 Sikkerhetstiltak

Påse at motoren er skrudd av, før du utfører service og vedlikehold. Det kan bl.a. gjøre sitt til at følgende unngås:

- **Kulldioksidforgiftning av avgasser**  
Det må være god ventilasjon der du starter opp motoren.
- **Brannskade**  
La motoren og lyddemperen kjøle før du tar på dem.
- **Skade fra roterende deler**  
Ikke la motoren gå, dersom det ikke er helt nødvendig.

Les alle instruksjoner før du starter service og/eller vedlikehold på pumpen, og påse at du har nødvendig og riktig verktøy.

Ved å behandle bensin og drivstoff med varsomhet, kan brann og eksplosjon forhindres. Bruk aldri bensin eller andre brannfarlige stoffer til rengjøring.

Påse at det ikke er noen antenningskilder, som gnister, tobakksrøyking, åpne flammer etc. der hvor drivstoff blandes, fylles eller oppbevares.

### 6.2 Vedlikehold

- For din egen sikkerhets skyld og for å gi pumpen lengst mulig levetid, er det viktig at du kontrollerer pumpens kondisjon før oppstart. Sørg for at eventuelle feil blir reparert på kvalifisert serviceverksted.
- Fjern smuss, løv etc. fra pumpen. Spesielt viktig er det å rense for smuss rundt lyddemperen, starteren og kjøleflenser.
- Kontroller at det ikke er skader på pumpehus eller motor.
- Sjekk at alle mutre, skruer, bolter, slangekoblinger og pluggen sitter fast.
- Kontroller slangene før de kobles til pumpen. Sugelangene må være av en forsterket kvalitet, slik at den ikke «klapper sammen», ved oppstart av pumpe.
- Se til av pakningen ved luftinntaket er intakt.
- Pass på at tilkoblingene og ev. slangeklemmer er dratt til.
- Kontroller at det er innløpsfilter på sugelangene, og at dette er i orden.
- Kontroller at luftfilteret er helt og rent. Et filter som er tilsmusset, reduserer inntaket av luft og motoren blir mindre effektiv.

### 6.3 Påfylling av drivstoff

**Obs!** Når du fyller drivstofftanken må du forvise deg om at du fyller riktig drivstoffblanding, totaktsbensinblanding. Drivstoffnivået vises i den transparente drivstofftanken. Skru av motoren, la den avkjøles og fyll så på mer drivstoff. Dette må utføres på et godt ventilert sted.

### Advarsel!

- Husk at bensin er meget brannfarlig og eksplosivt.
- Du kan pådra deg alvorlig skader ved håndtering av drivstoff.

- Stopp motoren og påse at det ikke er noen antenningskilder i nærheten, som tobakksrøyking, åpne flammer, gnister etc.
- Tanking, blanding av drivstoff etc. må kun skje utendørs.
- Tørk opp ev. spill umiddelbart.
- Plasser pumpen på et plant underlag. Fjern tanklokket og fyll bensinen forsiktig i tanken. Ikke fyll for mye! Skru lokket godt på igjen.
- Fyll aldri drivstoff innendørs, hvor det er åpne flammer, gnister etc. Hold drivstoffet unna griller, elektriske apparater, levende lys etc.
- Spill av drivstoff er ikke kun en brannfare, men også en miljøfare. Tørk opp ev. spill umiddelbart.

## 6.4 Drivstoff

Bland bensin (95 oktan, blyfri bensin uten etanoltilsetning) med en totaktsolje, som er beregnet for luftavkjølte totaktsmotorer.

Anbefalt blandingsforhold: Bensin/olje: 50:1 (2 %).

**Obs!** Vær nøye med å blande riktig.

1. Mål nøye opp bensin og olje, før du blander det.
2. Hell en liten del av bensinen i en ren dunk, som er godkjent til dette formålet.
3. Hell i oljen, og rist godt.
4. Hell i resten av bensinen, og rist i minst ett minutt. Visse oljer er vanskelige å blande, det er derfor viktig å riste dunken, slik at olje og bensin blir blandet godt. Motorens levetid blir lengre dersom drivstoffblandingen er godt blandet. Dersom drivstoffet ikke blandes godt, kan motoren gå på for mager blanding, med større fare for motorskader.
5. Merk dunken med drivstoff godt.
6. Oljeblandet drivstoff er kun beregnet på totaktsmotorer, og ren bensin på firetakere. Det er derfor meget viktig å markere drivstoffdunkene.

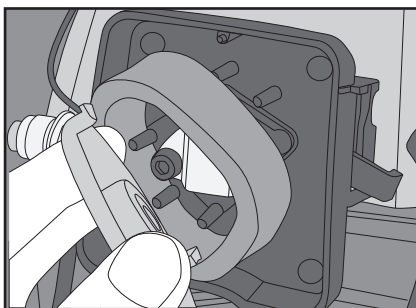
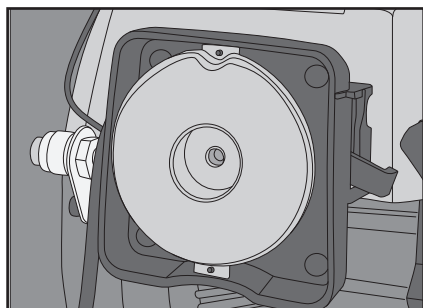
**Obs!** Bland ikke for mye drivstoff av gangen. Den har begrenset lagringstid og bør brukes innen 90 dager.

**Advarsel!** Bruk kun oljeblandet drivstoff på totaktsmotorer. Dersom du bruker ren bensin, uten olje, vil motoren skades, noe som ikke dekkes av garantien.

- Bruk kun 95 oktan, blyfri bensin (eller minst 86 oktan).
- Motoren er konstruert for blyfri bensin.
- Brensel og olje av dårlig kvalitet, kan skade pakninger, drivstoffslanger og bensintanken.

## 6.5 Inspeksjon av luftfilter

Løsne på skruen som holder luftfilterdekselet på plass (ovenfor tanklokket). Kontroller at skumplastfilteret er helt og rent. Gjør dette ofte dersom du bruker pumpen i støvete omgivelser.



### **Filteret rengjøres på følgende måte**

1. Ta bort filteret og dekkskiven. Bruk en lett fuktet klut/fille til å fjerne smuss fra skiven og luftfilterdekselet.
2. Vask filteret i såpevann. Ikke bruk bensin!
3. Klem vannet ut av filteret og la det lufttørke.
4. Dypp filteret i motorolje og klem deretter ut overflødig olje.
5. Plasser filteret og dekkskiven på plass igjen (obs! dekkskiven festes i over og underkant med to stifter), monter luftfilterdekselet.
6. Påse at dekselet blir festet skikkelig, slik at det ikke ristes løst.

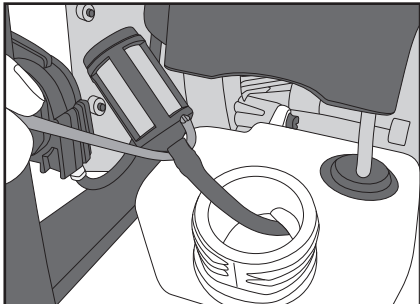
**Obs!** Kjør aldri motoren uten luftfilter (eller med skadet luftfilter). Da kan partikler komme inn i motoren, og forårsake slitasje, som ikke dekkes av garantien.

## **6.6 Inspeksjon og rengjøring av drivstofftank, filter og bensinslanger**

### **Advarsel!**

Feilhåndtering av drivstoff kan føre til alvorlige skader.

- Påse at det ikke er åpen ild eller gnister av noe slag når du håndterer drivstoff.
  - Håndtering av drivstoff bør kun foregå utendørs.
  - Tørk opp ev. spill umiddelbart.
1. Åpne tankklokken forsiktig, og slipp ut trykket som har bygget seg opp i tanken. Tørk opp alt spill, og hell bensin, som er igjen, over i en godkjent dunk.
  2. Bruk en bøyd ståltråd eller liknende, til å ta ut bensinfilter/bensinslange med.



3. Sjekk bensinfilteret, og skift det ut dersom det er behov for det.
4. Bensinfilteret løsnes ved å dra i det (vri på filteret, så går det lettere).
5. Sett på plass bensinfilteret (ev. det nye).
6. Fjern smuss og utfelling i bunn av tanken. Ikke bruk løsemiddel, da det er brannfarlig.
7. Kontroller begge bensinslangene (mellom forgasser og tank). Se etter lekkasjer eller sprekker og skift dersom det trengs.

## 7. Lagring

Det er viktig at pumpen oppbevares riktig, for at den skal fungere bra. Følg disse rådene for å beskytte pumpen mot rust og annet, som kan forringe funksjonen eller utseende, da er det også enklere å starte opp motoren etter lagringen:

1. Hell bensinen som er igjen i tanken, over i en dunk.
2. Fyll rent vann i pumpehuset (**Obs!** pumpen må ikke kjøres tørr).
3. Start motoren.
4. La motoren gå på tomgang til den stopper, og tøm forgasseren for drivstoff.
5. Rengjør pumpen utvendig og skylt pumpehuset med rent vann.
6. Tørk alle overflater.
7. Bruk en pluggnøkkel og ta ut tennpluggene.
8. Hell på en teskje med to-taktsolje i sylindren gjennom tennplugghullet. Trekk sakte noen ganger i starthåndtaket, for å fordele oljen inni motoren. Sett deretter pluggene på plass igjen.
9. Oppbevar pumpen på et tørt og ventilert sted.

### 7.1 Drivstoff

Bensin er en ferskvare, som forringes ved lagring. Lettflyktige partikler i bensinen avdunster og utfellinger fra bensinen som er igjen kan sette seg fast i forgasseren, slik at den må rengjøres på et verksted.

Drivstoffets lagringstid påvirkes av: Drivstoffets kvalitet, lagringstemperatur og hvor mye drivstoff som er på tanken. Luften i en tank som kun er halvfull eller nesten tom, påskynder forringelsen av drivstoffet. Varm luft er også med på å forringe kvaliteten.

Ferdigblandet to-takts drivstoff skal brukes innen 3 måneder etter innkjøp. Husk også at bensinen, som er blitt blandet med olje, kanskje er lagret en stund på kanne, før den er blandet med olje.

Drivstoffets holdbarhet kan forlenges ved å tilsette drivstoffstabilisator, som er spesielt utviklet for å forhindre drivstoffets nedbryting.

- Fyll tanken helt full med ny bensin og tilsett drivstoffstabilisator, i henhold til leverandørens anbefalinger.
- Kjør motoren i ti minutter, slik at drivstoffet, med tilsetningen, har passert slanger og forgasser. (**Obs!** Husk at pumpen ikke må kjøres tørr).
- Skru av motoren.

## 7.2 Tømming av drivstofftank og forgasser

1. Åpne tankklokke forsiktig og slipp ut trykket som har bygget seg opp i tanken. Tørk opp alt spill, hell på pumpen og hell ut drivstoffet som er igjen i bensintanken.
2. Trykk på primærpumpen flere ganger til det ikke lengre er noe bensin i den transparente returslangen.
3. Hell ev. bensin som er igjen over på en kanne.
4. Dra til tankklokke, slik at det sitter godt fast.

### Advarsel!

Du kan få skader ved håndtering av drivstoff.

- Påse at det ikke er åpen ild eller gnister av noe slag når du håndterer drivstoff.
- Håndtering av drivstoff bør kun foregå utendørs.
- Tørk opp ev. spill umiddelbart.

Dersom pumpen oppbevares med drivstoff i tanken, er det viktig å redusere faren for at bensindamp kan antennes. Oppbevar da pumpen på et godt ventilert sted, langt fra varmeovner, kamin, elmotorer eller annet som gir gnistdannelse.

Unngå å oppbevare pumpen på plasser med høy luftfuktighet. Dette for å redusere faren for korrosjon.

Pumpen bør oppbevares på et jevnt underlag.

Dekk til pumpen ved oppbevaring. (Påse at den er blitt kald før du tildekker den). Pumpen må ikke tildekkes av materialer som er for tette. Da er det fare for kondensering og rustdannelse.

## 7.3 Bruk av pumpe etter lengre tids lagring

1. Følg instruksjonene i avsnittene 4, 5 og 6.
2. Fyll på nytt drivstoff, se avsnitt 6.

Dersom sylindren er blitt konserverert med olje før oppbevaring, kommer motoren til å ryke mer enn vanlig ved oppstart. Det er helt normalt.

## 8. Transport

Avkjøl motoren i minst 15 minutter før den lastes for transport. Husk at lyddempere er meget varm etter kjøring.

## 9. Feilsøking

### 9.1 Motor

Motoren starter ikke.	Mulig årsak	Løsning
Kontroller chokens posisjon.	Choken er åpen.	Steng choken, dersom motoren ikke er varm.
	Gassen står i feil posisjon.	Still gassen i startstilling.
Feil med drivstoffet.	Slutt på drivstoffet.	Fyll på nytt drivstoff.
	Dårlig/gammelt drivstoff.	Tøm tanken og fyll på nytt drivstoff.
Kontroller tennpluggen.	Feil med pluggen eller feil elektrodeavstand.	Skift plugg.
	Pluggen er våt.	Tørk pluggen og sett den tilbake. Still gassenregulatoren på «Full gass» og choken på «Åpen» (nedover).

Motoren har ingen kraft.	Mulig årsak	Løsning
Kontroller luftfilteret.	Filteret er tett.	Rengjør filteret.
Kontroller drivstoffet.	Dårlig/gammelt drivstoff.	Tøm tanken og forgasseren og fyll på nytt.
Motorfeil.	Motorfeil.	Lever inn pumpen på et autorisert verksted.

### 9.2 Pumpe

Det kommer ikke vann fra pumpen.	Mulig årsak	Løsning
Sjekk pumpehuset.	Pumpehuset er ikke fylt med vann.	Fyll vann i pumpehuset.
Kontroller sugeledningen.	Sugeslangen er skadet eller utett.	Skift sugeslangen.
	Innløpsfilteret er ikke helt under vannoverflaten.	Senk innløpsfilteret under overflaten og se til at det forblir der.
	Ikke tett rundt innsugningen.	Sjekk at pakningen er montert og uskadet og trekk til tilkoblingen og slangeklemmen.
	Innløpsfilteret er tett.	Rengjør innløpsfilteret.
Mål suge-/trykkhøyden.	Oppføring for høy.	Endre pumpens og/eller slangenes plassering.



Pumpen gir for dårlig flyt.	Mulig årsak	Løsning
Kontroller gassregulatoren.	Gassregulatoren står feil.	Still på «Full gass».
Kontroller sugeledningen.	Sugeslangen er skadet eller utett, for lang eller har for liten diameter.	Skift sugeslangen.
	Lekkasje i koblingen.	Sjekk at pakningen er montert og uskadet, dra til koblingen og slangeklemmen.
	Innløpsfilteret er delvis tett.	Rengjør innløpsfilteret.
Kontroller trykkslangen.	Slangen er skadet, for lang eller har for liten diameter.	Skift slange.
Mål suge-/trykkhøyden.	Høy oppforingshøyde (nesten maksimum).	Endre pumpens og/eller slangenens plassering.

## 10. Avfallshåndtering

Når du skal kvitte deg med produktet, skal dette skje i henhold til lokale forskrifter. Er du usikker på hvordan du går fram, ta kontakt med lokale myndigheter.

## 11. Spesifikasjoner

<b>Modell</b>	IE40F-5A
<b>Motor</b>	Luftavkjølt totaktsmotor
<b>Sylindervolum</b>	42,7 cm <sup>3</sup>
<b>Maks. motoreffekt</b>	1,5 hk
<b>Drivstoff</b>	Blanding av bensin og olje 50:1 (2 %)
<b>Tankvolum</b>	1,2 liter
<b>Tennplugg</b>	TORCH: L7T Champion: CJ6Y & CJ6RY NGK: BPM6A & BPMR6A
<b>Pumpekapasitet</b>	135 l/min
<b>Maks. sugehøyde</b>	7 m
<b>Maks. trykkhøyde</b>	30 m
<b>Maks. vanntemperatur</b>	35 °C
<b>Tilkobling innløp/utløp</b>	1" utvendig gjenget eller slangenippel 25 mm (1")
<b>Tomgangsturtall</b>	2500 rpm
<b>Lydeffekt LwA</b>	85 dB (A)
<b>Lydtrykk LpA</b>	70 dB (A)
<b>Vekt</b>	8 kg

# Pumppu

TUOTENRO 30-9529

MALLI IE40F-5A

Lue käyttöohjeet ennen tuotteen käyttöönottoa. Säilytä käyttöohjeet tulevaa tarvetta varten. Pidätämme oikeuden teknisten tietojen muutoksiin. Emme vastaa mahdollisista teksti- tai kuvavirheistä. Jos laitteeseen tulee teknisiä ongelmia, ota yhteys myymälään tai asiakaspalveluun (yhteystiedot käyttöohjeen lopussa).

## 1. Tuotteen merkinnät ja turvallisuussymbolit



**Varoitus!** Kuuma pinta.



**Varoitus!** Erittäin palonarka.

## 2. Tärkeitä turvallisuustietoja

**Huom.!** Sammuta moottori ennen pumpun huoltoa, säätöä ja puhdistusta.

Pumppu soveltuu ainoastaan veden (ei juomaveden) pumppaamiseen, muu käyttö saattaa olla vaaraksi käyttäjälle tai pumpulle.

Useimmat onnettomuudet voidaan estää noudattamalla käyttöohjetta ja pumpussa olevia ohjeita. Alla on kuvattu tavallisimmat vaarat ja ohjeet itsesi ja muiden suojelemiseksi.

### 2.1 Käyttäjän vastuu

Kaikkien turvallisuusohjeiden noudattaminen ja ihmisten ja omaisuuden suojeleminen on käyttäjän vastuulla. Käyttäjän tulee nopeasti voida sammuttaa moottori vaaratilanteessa. Älä jätä pumppua käyntiin ilman valvontaa. Sammuta pumppu, mikäli poistut pumpun luota. Opettele kaikkien säädinten ja liitinten toiminta.

Kaikkien pumpun käyttäjien tulee lukea käyttöohje ja heillä tulee olla riittävät tiedot pumpun käyttämiseen. Älä anna alaikäisten käyttää pumppua. Älä päästä lapsia tai eläimiä pumpun läheisyyteen käytön aikana.

### 2.2 Käyttöalueet

Pumppaa ainoastaan vettä, jota ei käytetä juomavetenä. Mikäli pumppua käytetään herkästi syttyvien nesteiden kuten bensiinin tai lämmitysöljyn pumppaamiseen, seurauksena saattaa olla hengenvaarallinen räjähdys tai tulipalo. Meriveden, hapon, kemikaalien tai muiden syövyttävien nesteiden pumppaus saattaa vahingoittaa pumppua.

### 2.3 Polttoaineen täyttö

Bensiini syttyy erittäin helposti ja bensiinihöyryt saattavat räjähtää. Lisää bensiiniä ainoastaan ulkona hyvin tuuletetussa paikassa ja tasaisella alustalla moottorin ollessa sammutettuna. Älä ylitäytä polttoainesäiliötä. Älä tupakoi täytön aikana. Poista kaikki tulenarat kohteet, kuten kipinät, avotuli, savukkeet tms. paikasta, jossa käsitellään bensiiniä. Säilytä polttoainetta aina polttoaineelle tarkoitettussa astiassa. Pyyhi kaikki ylivuotanut polttoaine ennen moottorin käynnistämistä.

### 2.4 Kuumat pinnat

Äänenvaimennin kuumenee hyvin paljon käytön aikana ja se pysyy myös lämpimänä sammuttamisen jälkeen. Pidä kädet ja muut ruumiinosat poissa äänenvaimentimesta käytön aikana ja heti käytön jälkeen. Anna moottorin jäähtyä tarpeeksi ennen laitteen kuljetusta tai varastoimista sisätiloihin.

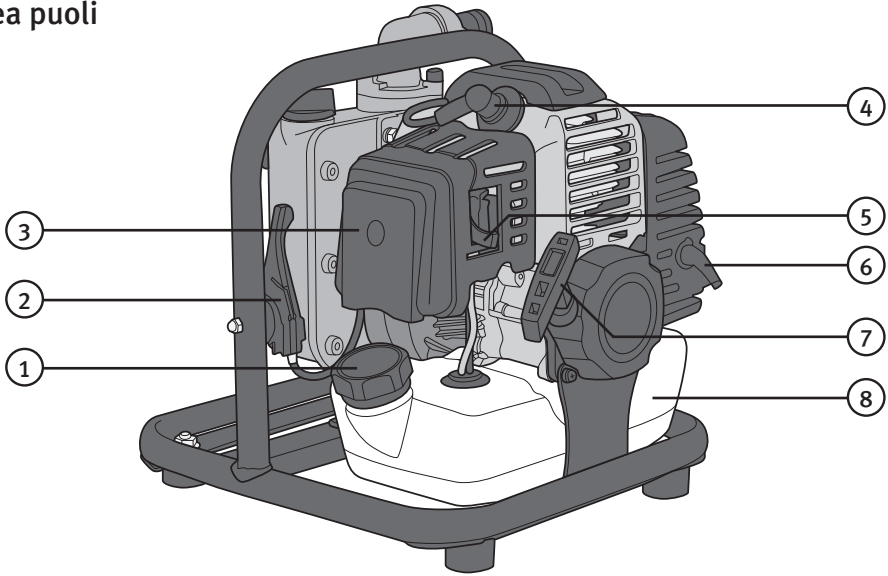
Estä tulipalot käyttämällä pumppua vähintään yhden metrin päässä taloista, rakennuksista ja muista vastaavista. Älä sijoita helposti syttyviä esineitä moottorin lähelle.

### 2.5 Häkä ja myrkytysvaara

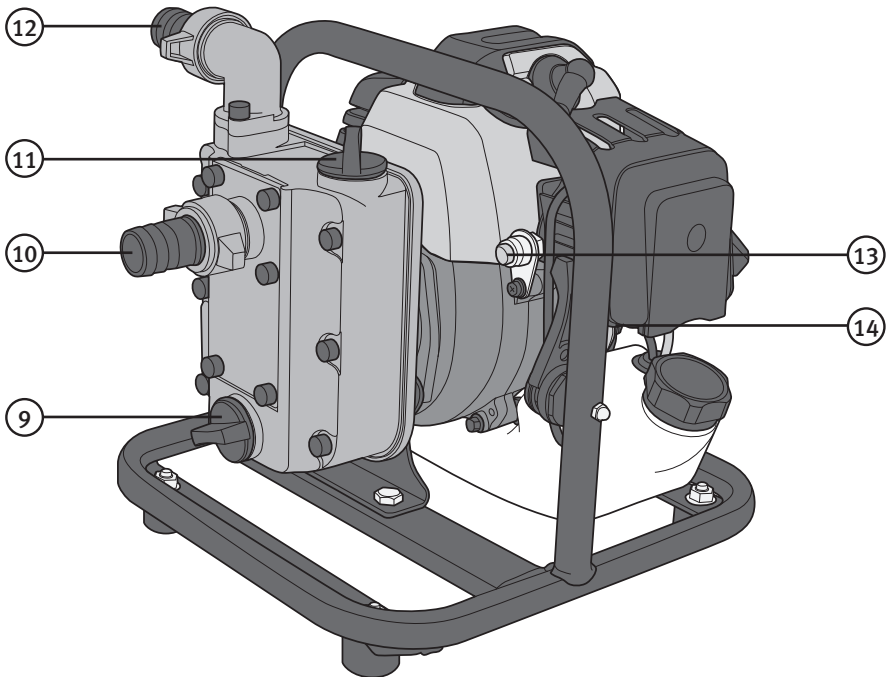
Pakokaasujen hengittäminen on vaarallista, sillä ne sisältävät vaarallista häkää. Älä käynnistä moottoria suljetuissa tai huonosti tuuletetuissa tiloissa.

### 3. Kuvaus

#### Oikea puoli



#### Vasen puoli

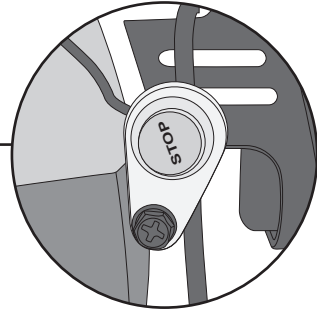


- |                           |                     |   |
|---------------------------|---------------------|---|
| 1. Säiliön kansi          | 6. Äänenvaimennin   | 11. Täydennystulppa                     |
| 2. Kaasunsäädin           | 7. Käynnistyskahva  | 12. Ulostulo                            |
| 3. Ilmansuodattimen kansi | 8. Polttoainesäiliö | 13. Pysäytyspainike                     |
| 4. Sytytystulpan hattu    | 9. Tyhjennystulppa  | 14. Primer-pumppu<br>(kaasuttimen alla) |
| 5. Rikastin               | 10. Sisääntulo      |   |

### 3.1 Säätimet

#### **Pysäytyspainike**

Pysäytä moottori painamalla pysäytyspainiketta.

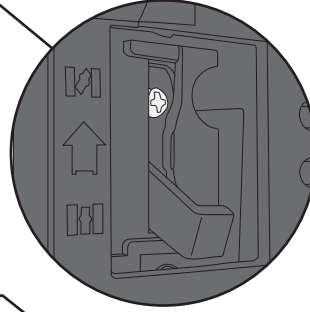


#### **Rikastin**

Rikastinvipu avaa ja sulkee kaasuttimen rikastinläpän.

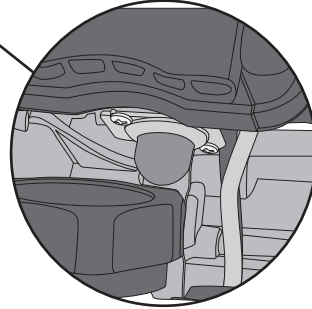
Suljetussa asennossa (ylöspäin) polttoaineseos on rikkaampi ja se sopii kylmän moottorin käynnistämiseen.

Avoimena olevassa asennossa (alaspäin) polttoaineseos on normaali ja se sopii lämpimän moottorin käynnistämiseen.



#### **Primerpumppu**

Paina primerpumppua (kaasuttimen alla) noin 8 kertaa ennen kylmän moottorin käynnistämistä, jolloin moottori saa lisää polttoainetta ja käynnistyy helpommin.

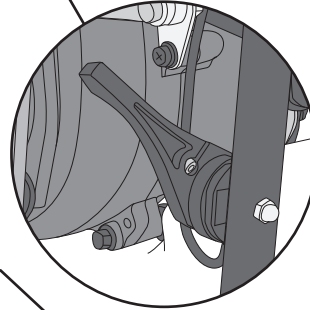


#### **Kaasusäädin**

Kaasusäädin ohjaa moottorin kierroslukua.

Lisää moottorin kierroslukua siirtämällä kaasusäädintä alaspäin ja vähennä kierroslukua siirtämällä säädintä ylöspäin (pystysuora = tyhjäkäynti ja vaakasuora = suurin kierrosluku).

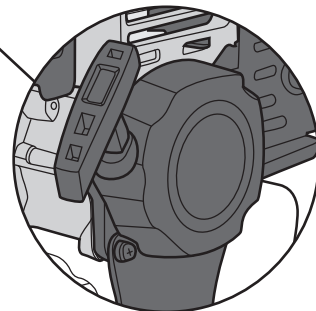
Pumpun kapasiteettia säädetään muuttamalla moottorin kierroslukua kaasunsäätimellä (vaakasuora = suurin kapasiteetti ja portaattomasti pystysuora = pienin kapasiteetti).



#### **Käynnistyskahva**

**Huom.!** Vedä käynnistyskahva vinosti ylöspäin.

Jos vedät väärässä kulmassa, holkien reunat aiheuttavat kitkaa vahingoittaen narua, ja se kuluu nopeammin. Pidä käynnistyskahva ulosvedettynä ja päästä sitä varoen. Älä päästä käynnistyskahvaa kerralla heti vetämisen jälkeen, sillä se saattaa sotkeutua tai vahingoittaa pumppua.



## 4. Ennen käyttöä

- Lue koko käyttöohje ja opettele säädinten sijainti ja niiden toiminta.
- Tutustu pumppuun ja sen toimintaan ennen käyttöönottoa. Opettele toimenpiteet, joilla mahdollisia riskejä voidaan nopeasti pienentää.
- Varmista, mitä nestettä pumppaat. Pumppu soveltuu ainoastaan puhtaan veden (ei juomaveden) pumppaamiseen.
- Varmista, että kaikki mutterit, ruuvit, pultit, letkuliittimet ja tulpat ovat paikoillaan.
- Varmista letkujen kunto ennen pumppuun liittämistä. Ota huomioon, imuletkun tulee olla vahvistettu, jotta se ei painu kasaan pumpun käytön aikana.
- Varmista, että imuletkun liitännän tiiviste on ehjä ja vahingoittumaton.
- Varmista, että liitännät ja mahdolliset letkukiristimet ovat tiukalla.
- Varmista, että imuletkuun on asennettu toimiva sisääntulosuodatin.
- Varmista, että ilmansuodatin on puhdas ja ehjä. Likainen ilmansuodatin vähentää ilmavirtaa ja pienentää moottorin tehoa.

## 5. Käyttö

### 5.1 Turvallinen käyttö

Lue ennen pumpun ensimmäistä käyttökertaa koko käyttöohje.

Oman turvallisuutesi vuoksi moottoria ei kannata käynnistää huonosti tuuletetussa tilassa. Pakokaasujen hengittäminen on hyvin vaarallista, pakokaasut sisältävät vaarallista häkää, joka saattaa johtaa tajuttomuuteen tai kuolemaan.

Pumppaa ainoastaan vettä, jota ei käytetä juomavetenä. Mikäli pumppua käytetään herkästi syttyvien nesteiden kuten bensiniin tai lämmitysöljyn pumppaamiseen, seurauksena saattaa olla hengenvaarallinen räjähdys tai tulipalo. Meriveden, hapon, kemikaalien tai muiden syövyttävien nesteiden pumppaus saattaa vahingoittaa pumppua.

### 5.2 Pumpun sijoittaminen

Pumppu toimii tehokkaimmin ja se aloittaa imemisen nopeammin, mikäli se sijoitetaan mahdollisimman lähelle vedenpintaa. Älä käytä tarpeettoman pitkiä letkuja.

Pumpun teho heikkenee nostokorkeuden kasvaessa. Letkujen tyyppi, pituus ja halkaisija vaikuttavat myös huomattavasti pumpun tehoon.

Pumpusta ulostuleva painekorkeus on aina imukorkeutta suurempi, joten pyri minimoimaan imukorkeus.

Pieni imukorkeus myös nopeuttaa imua pumppua käynnistettäessä (aika, joka kuluu koko imuletkun ja pumpun rungon täyttymiseen vedellä).

### 5.3 Imuletkun asentaminen

Imuletkussa tulee olla imusuodatin ja mielellään myös pohjaventtiili (pohjaventtiili lyhentää imuaikaa käynnistyksen yhteydessä).

Imuletku ei saa olla tarpeettoman pitkä; pumpun kapasiteetti on parhaimmillaan, kun pumppu on vedenpinnan lähellä ja imuletku on lyhyt.

Älä käytä imuletkua, jonka sisähalkaisija on alle 25 mm (1").

Kiinnitä imuletku sisääntuloaukkoon letkukiristimellä, kiristä kunnolla jotta vesi ei vuoda mistään. Tarkista, että imuaukon tiiviste on ehjä.

Asenna pakkauksessa oleva imusuodatin imuletkun toiseen päähän ja kiinnitä se letkukiristimellä. Imusuodatin estää pumpun tukkeutumista ja epäpuhtauksien aiheuttamaa vioittumista.

## 5.4 Paineletkun asentaminen

Liitä paineletku (ei sisälly) pumpun ulostuloaukkoon. Paineletkun tulee olla mahdollisimman lyhyt ja siinä tulee olla mahdollisimman suuri halkaisija, jolloin vastus pienenee ja teho kasvaa. Pitkä ja kapea letku pienentää tehoa huomattavasti.

Mikäli paineletkussa on sammutusventtiili tai suljettava suutin, sitä ei saa käyttää vedentulon pitkäkestoiseen pysäyttämiseen, sillä se ylikuumentaa pumppua. Älä kiristä ulostulosovitinta liikaa, jotta kierteet eivät mene pilalle.

## 5.5 Veden lisääminen pumpun runkoon

Irrota täyttötulppa pumpun rungosta yläpuolelta ennen moottorin käynnistämistä ja täytä pumpun runko vedellä. Laita tulppa takaisin paikalleen ja kiristä kunnolla.

Pumpun kuivakäynti vahingoittaa pumpun tiivisteitä.

Mikäli pumppua on silti käytetty ilman vettä: Sammuta moottori heti ja anna pumpun jäähtyä. Täytä tämän jälkeen pumpun runko vedellä.

## 5.6 Moottorin käynnistäminen

1. Kylmän moottorin käynnistäminen: Sulje rikastin (ylöspäin).  
Lämpimän moottorin käynnistäminen: Avaa rikastin (alaspäin).
2. Aseta kaasukytkin puolelle kaasulle.
3. Paina primer-pumppua n. 8 kertaa, kunnes kaasuttimen kirkkaaseen paluuletkuun tulee polttoainetta.
4. Pidä kantokahvasta kiinni yhdellä kädellä ja vedä käynnistyskahvasta kunnes tunnet vastusta, vedä tämän jälkeen nopeasti kahvasta. Pidä käynnistyskahva ulosvedettynä ja päästä sitä varoen. Älä päästä käynnistyskahvaa kerralla heti vetämisen jälkeen, sillä se saattaa sotkeutua tai vahingoittaa pumppua.
5. Siirrä rikastinvipua varoen kohti auki-asentoa (alaspäin), kun moottori lämpenee.

## 5.7 Kierrosluvun säätäminen

Säädä kaasu täysille kun imet pumpulla, tarkkaile paineletkun painetta.

Pumpun imumäärää muutetaan säätämällä moottorin kierroslukua. Lisää imutehoa lisäämällä kaasua ja vähennä imutehoa vähentämällä kaasua.

## 5.8 Moottorin sammuttaminen

**Pikasammutus vaaran sattuessa:** Paina pysäytyspainiketta, kunnes moottori on täysin pysähtynyt.

**Tavallinen sammutus:**

1. Aseta kaasusäädin tyhjäkäynnille ja anna moottorin kierrosluvun laskea.
2. Paina pysäytyspainiketta.

Avaa tyhjennystulppa ja anna veden valua pumpun rungosta. Huuhtelee pumpun runko puhtaalla vedellä ja anna veden valua pois pumpun rungosta. Ruuvaa tulppa takaisin paikalleen ja kiristä.

## 6. Huolto ja hoito

Alla on joitain yleisimpiä turvallisuusohjeita, mutta emme ota esille kaikkia huoltoon ja hoitoon liittyviä vaaroja.

**Varoitus!** Mikäli et noudata kaikkia turvallisuusohjeita ja neuvoja, seurauksena saattaa olla hengenvaarallinen loukkaantuminen. Noudata tämän vuoksi kaikkia turvallisuusohjeita ja muita neuvoja.

### 6.1 Turvallisuusohjeet

Varmista ennen käynnistämistä, että moottori on sammutettu, näin vähennät seuraavia riskejä:

- **Pakokaasuista johtuva häikämyrkytys**  
Huolehdi riittävästä tuuletuksesta moottorin käynnistyspaikalla.
- **Palovammat**  
Anna moottorin ja äänenvaimentimen jäähtyä täysin ennen kuin kosketat niitä.
- **Vaarallisia liikkuvia osia**  
Älä käytä moottoria ellei ole aivan pakko.

Lue kaikki ohjeet ennen huoltotoimenpiteitä. Varmista, että sinulla on riittävät tiedot ja oikeat työkalut.

Estä tulipalot ja räjähdykset ja käsittele polttoainetta varoen. Älä käytä polttoainetta ja muita helposti syttyviä aineita puhdistukseen.

Poista kaikki tulenarat kohteet, kuten kipinät, avotuli, savukkeet tms. paikasta, jossa käsitellään tai säilytetään bensiiniä.

### 6.2 Hoito

- Oman turvallisuutesi vuoksi ja pumpun pitkän eliniän takaamiseksi on tärkeää, että tarkastat pumpun kunnan aina ennen käyttöä. Hoida mahdolliset virheet kuntoon itse tai anna valtuutetun huoltoliikkeen korjata pumpun ennen kuin käytät sitä.
- Poista lika ja muut epäpuhtaudet erityisesti äänenvaimentimesta, käynnistimestä ja jäähdytyslaipoista.
- Tarkasta pumpun runko ja moottori ja varmista, ettei niissä ole vaurioita.
- Varmista, että kaikki mutterit, ruuvit, pultit, letkuliittimet ja tulpat ovat paikoillaan.
- Varmista letkujen kunto ennen pumppuun liittämistä. Ota huomioon, imuletkun tulee olla vahvistettu, jotta se ei painu kasaan pumpun käytön aikana.
- Varmista, että imuletkun liitännän tiiviste on ehjä ja vahingoittumaton.
- Varmista, että liitännät ja mahdolliset letkukiristimet ovat tiukalla.
- Varmista, että imuletkuun on asennettu toimiva sisääntulosuodatin.
- Varmista, että ilmansuodatin on puhdas ja ehjä. Likainen ilmansuodatin vähentää ilmavirtaa ja pienentää moottorin tehoa.

### 6.3 Polttoaineen täyttö

**Huom.!** Tankkaa ainoastaan, mikäli olet varma, että kanisterissa on 2-tahtibensiiniä!

Polttoaineen määrä näkyy läpinäkyvässä polttoainesäiliössä. Sammuta moottori ja anna sen jäähtyä ja lisää sen jälkeen polttoainetta, mikäli tarvetta on. Lisää polttoainetta hyvin tuuletetussa tilassa.

#### **Varoitus!**

- Polttoaine on hyvin helposti syttyvää ja räjähtävää.
- Polttoaineen käsittely saattaa johtaa tulipaloon tai käyttäjän loukkaantumiseen.
- Pysäytä moottori ja poista kaikki sytytyslähteet, kuten kipinät, avotuli, savukkeet jne.
- Käsittele polttoainetta ainoastaan ulkona.



- Pyyhi mahdolliset polttoaineroiskeet.
- Aseta pumppu tasaiselle ja tukevalle alustalle. Avaa polttoainesäiliön kansi ja täytä varovasti polttoainetta, älä täytä liikaa! Kiristä kansi kunnolla kiinni.
- Älä täytä polttoainetta sisätiloissa, jossa kipinät tai avotuli saattavat sytyttää polttoainehöyryt. Pidä polttoaine etäällä grilleistä, sähkölaitteista, kynttilöistä tms.
- Polttoaineroiskeet muodostavat palovaaran ja ovat haitaksi ympäristölle. Pyyhi mahdolliset polttoaineroiskeet välittömästi.

## 6.4 Polttoaine

Sekoita bensiiniä (lyijytön 95-oktaaninen, ilman etanolia) ja laadukasta 2-tahtiöljyä, joka soveltuu ilmajäähdytteisiin 2-tahtimoottoreihin.

Suositteltu sekoitussuhde: bensiiniä/öljyä 50:1 (2 %).

**Huom.!** Ole tarkkana sekoitussuhteen kanssa.

1. Mittaa tarkasti öljy- ja bensiinimäärät ennen kuin sekoitat ne keskenään.
2. Kaada osa bensiinistä säiliöön, joka on hyväksytty bensiinille.
3. Kaada kaikki öljy säiliöön ja ravista säiliötä.
4. Kaada sekaan loppu bensiini ja ravista säiliötä vähintään minuutin ajan. Tietyt öljyt sekoittuvat heikosti, joten niitä tulee sekoittaa hyvin, jotta bensiini ja öljy sekoittuvat keskenään. Moottori kestää pidempään, kun öljy on sekoittunut hyvin. Mikäli öljy ei ole sekoittunut kunnolla, seos on laihaa, mikä taas lisää moottorin vahingoittumisriskiä.
5. Merkitse kanisteri kunnolla, jotta säiliön sisällöstä ei tule epäselvyyksiä.
6. Öljyyn sekoitettu bensiini soveltuu ainoastaan 2-tahtimoottoreihin ja puhdas bensiini soveltuu ainoastaan 4-tahtimoottoreihin. Tämän vuoksi kanistereiden merkitseminen on hyvin tärkeää.

**Huom.!** Älä sekoita liikaa bensiiniä kerralla. Sekoitettu bensiini tulee käyttää 90 päivän kuluessa.

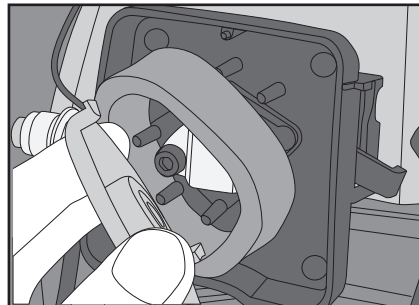
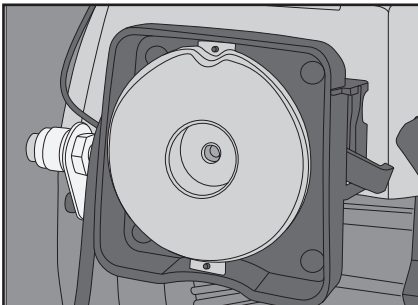
Varoitus! Käytä 2-tahtimoottoreissa ainoastaan bensiiniä, johon on sekoitettu öljyä.

Moottori vaurioituu nopeasti, mikäli siinä käytetään bensiiniä, johon ei ole sekoitettu öljyä, eikä takuu kata tällaisia vaurioita.

- Käytä ainoastaan lyijytöntä 95-oktaanista bensiiniä (vähintään 86 oktaania).
- Moottorissa tulee käyttää lyijytöntä bensiiniä.
- Käyttämällä lyijytöntä bensiiniä suojelet ympäristöäsi ja itseäsi.
- Huonolaatuinen bensiini tai öljy saattaa vahingoittaa tiivisteitä, polttoaineletkuja tai polttoainesäiliötä.

## 6.5 Ilmansuodattimen tarkastaminen

Avaa ilmansuodattimen kuvun ruuvi (säiliön kannen päällä), ja varmista, että vaahtuvoisuodatin on puhdas ja vahingoittumaton. Tarkasta suodatin usein, mikäli käytät pumppua pölyisissä tiloissa.



### Ilmansuodattimen puhdistaminen

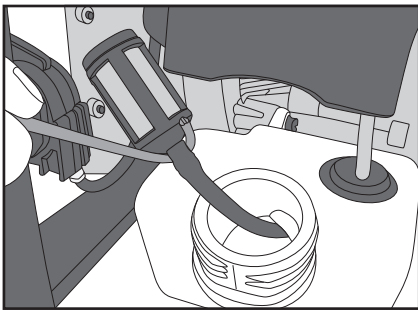
1. Poista vaahtomuvisuodatin ja peitelevy, pyyhi peitelevy ja ilmansuodattimen kupu kostutetulla liinalla.
2. Pese suodatin saippuavedellä. Älä käytä bensiiniä!
3. Purista vedet pois suodattimesta ja ripusta se kuivumaan.
4. Kasta suodatin moottoriöljyyn ja purista ylimääräinen öljy pois.
5. Laita suodatin ja peitelevy takaisin (**Huom.!** Peitelevy kiinnitetään ylä- ja alaosasta kahdella nastalla), asenna suodattimen kupu takaisin paikoilleen.
6. Varmista, että ilmansuodattimen kupu on kunnolla kiinni, jotta se ei irtoa tärinän johdosta.
7. **Huom.!** Älä käytä moottoria ilman ilmansuodatinta (tai mikäli ilmansuodatin on viallinen), sillä moottoriin saattaa joutua epäpuhtauksia, jotka aiheuttavat kulumista. Takuu ei kata tällaisia vaurioita.

## 6.6 Polttoainesäiliön, polttoainesuodatinten ja polttoaineletkujen tarkastaminen

### Varoitus!

Polttoaineen käsittely saattaa johtaa tulipaloon tai käyttäjän loukkaantumiseen.

- Poista kaikki sytytyslähteet kuten kipinät, avotuli, savukkeet jne.
  - Käsittele polttoainetta ainoastaan ulkona.
  - Pyyhi mahdolliset polttoaineroiskeet heti.
1. Avaa polttoainesäiliön kansi varoen ja päästä säiliöön syntynyt paine varoen. Puhdista läikkynyt polttoaine ja kaada ylitse jäänyt polttoaine bensiinikanisteriin.
  2. Vedä polttoaineletku/-suodatin ulos esimerkiksi taivutetulla rautalangalla.



3. Tarkista polttoainesuodattimen kunto ja vaihda se, jos se on tukkeutunut.
4. Irrota polttoainesuodatin vetämällä (käännä suodatinta, niin se irtoaa helpommin).
5. Aseta tilalle uusi suodatin.
6. Poista lika ja kertymät säiliön pohjasta, älä käytä helposti syttyviä liuotainaineita.
7. Tarkasta molemmat polttoaineletkut kaasuttimen ja polttoainesäiliön väliltä, etsi mahdollisia vuotoja tai murtumia – vaihda tarvittaessa.

## 7. Säilytys

Pumpun oikeanlainen säilyttäminen on hyvin tärkeää. Näin varmistetaan pumpun toimivuus ja pitkä elinikä. Noudata seuraavia ohjeita ja suojaa pumppu ruosteelta ja muilta toimintaa ja ulkonäköä heikentäviltä tekijöiltä. Oikein säilytetty pumppu on myös helpompi käynnistää seuraavalla kerralla.

1. Kaada polttoainesäiliöön jäljelle jäänyt bensiini bensakanisteriin.
2. Kaada pumpun runkoon puhdasta vettä (**Huom.!** pumppua ei saa käyttää kuivana).
3. Käynnistä moottori.
4. Anna moottorin käydä tyhjäkäynnillä, jotta kaasuttimessa oleva polttoaine loppuu.
5. Puhdista pumppu ulkoisesti ja huuhtelee pumpun runko puhtaalla vedellä.
6. Pyyhi moottorin ja pumpun rungon kaikki osat täysin kuiviksi.
7. Irrota sytytystulppa sytytystulppa-avaimella.
8. Kaada sylinteriin teelusikallinen puhdasta 2-tahtiöljyä sytytystulpan aukon kautta, vedä hitaasti käynnistyskahvasta muutamia kertoja, jotta öljy leviää tasaisesti moottoriin. Laita sytytystulppa takaisin paikoilleen.
9. Säilytä pumppua kuivassa ja hyvin tuuletetussa paikassa.

### 7.1 Polttoaine

Bensiini pilaantuu pitkäaikaisessa säilytyksessä. Bensiinissä on aineita, jotka haihtuvat helposti ja jäljelle jääneen bensiinin aineet saattavat tukkia kaasuttimen, jolloin kaasutin tulee puhdistuttaa huoltoliikkeessä.

Seuraavat tekijät vaikuttavat polttoaineen säilyvyyteen: Polttoaineen laatu, säilytyslämpötila sekä se, onko polttoainesäiliö täynnä vai melko tyhjä. Puoliksi tyhjässä tai lähes tyhjässä polttoainesäiliössä oleva ilma jouduttaa polttoaineen pilaantumista. Myös erittäin lämmin ilma jouduttaa polttoaineen hajoamista.

Sekoitettu 2-tahtipolttoaine tulee käyttää viimeistään 3 kuukauden kuluttua. Ota huomioon, että öljyn kanssa sekoitettavaa bensiiniä on saatettu säilyttää pitkään jo ennen sekoittamista.

Polttoaineen säilyvyyttä voidaan parantaa lisäämällä polttoaineeseen polttoaineen stabilisaattoria, joka on kehitetty erityisesti estämään polttoaineen hajoamista.

- Täytä polttoainesäiliö uudella bensiinillä ja lisää polttoaineen stabilisaattoria toimittajan ohjeiden mukaisesti.
- Anna moottorin käydä 10 minuutin ajan, jotta polttoaine ja lisäaine on kulkeutunut letkujen ja kaasuttimen läpi. **Huom.!** Pumppua ei saa käyttää kuivana!
- Sammuta moottori.

## 7.2 Polttoainesäiliön ja kaasuttimen tyhjentäminen

1. Avaa polttoainesäiliön kansi varoen ja päästä säiliöön syntynyt paine varoen. Puhdista läikkynyt polttoaine, kallista pumppua ja kaada ylitse jäänyt polttoaine bensiniikanisteriin.
2. Paina primerpumppua useita kertoja, kunnes kirkkaassa paluuletkussa ei enää näy polttoainetta.
3. Kallista pumppua ja kaada mahdollinen polttoaine polttoainekanisteriin.
4. Kiristä kansi kunnolla kiinni.

### Varoitus!

Polttoaineen käsittely saattaa johtaa tulipaloon tai käyttäjän loukkaantumiseen.

- Poista kaikki sytytyslähteet, kuten kipinät, avotuli, savukkeet jne.
- Käsittele polttoainetta ainoastaan ulkona.
- Pyyhi mahdolliset polttoaineroiskeet.

Mikäli pumppussa on säilytyksen aikana polttoainetta, on tärkeää estää höyryntyvän polttoaineen syttyminen. Säilytä pumppua hyvin tuuletetussa tilassa kaukana lämpökattiloista, uuneista, kipinöivistä sähkömoottoreista, käytössä olevista sähkötyökaluista ja –laitteista tms.

Vältä ruosteen syntyminen säilyttämällä pumppua kuivissa tiloissa.

Aseta pumppu tasaiselle ja tukevalle alustalle.

Peitä pumppu jäähtymisen jälkeen. Täysin tiiviin materiaalin käyttäminen saattaa johtaa ruostumiseen.

## 7.3 Pumpun käynnistäminen pitkäaikaisen säilytyksen jälkeen

1. Aloita suorittamalla kaikki toimenpiteet kohdasta 4. *Ennen käyttöä.*
2. Lisää polttoainetta.

Mikäli sylinteri on säilötty öljyyn ennen säilytystä, moottori savuaa tavallista enemmän ensimmäisellä käynnistyskerralla säilytyksen jälkeen. Tämä on täysin normaalia.

## 8. Kuljetus

Anna pumpun jäähtyä vähintään 15 minuutin ajan ennen kuin siirät pumpun ajoneuvon kuljetusta varten, muussa tapauksessa äänenvaimennin saattaa aiheuttaa materiaalin sulamisen tai syttymisen.

## 9. Vianetsintä

### 9.1 Moottori

Moottori ei käynnisty.	Mahdollinen syy	Ratkaisu
Tarkasta kaasunsäätimen asento.	Rikastin auki.	Sulje rikastin mikäli moottori ei ole lämmin.
	Kaasunsäädin väärässä asennossa.	Aseta kaasunsäädin käynnistysasentoon.
Polttoainevika.	Polttoaine loppu.	Lisää polttoainetta.
	Huonoa/vanhaa polttoainetta.	Tyhjennä säiliö ja kaasutin ja lisää uutta polttoainetta.
Tarkasta sytytystulppa.	Viallinen sytytystulppa tai väärä kärkiväli.	Vaihda sytytystulppa.
	Sytytystulppa on kostea.	Kuivaa sytytystulppa ja aseta se takaisin. Aseta kaasunsäädin täydelle kaasulle ja rikastin auki-asentoon (alaspäin).

Moottorissa ei ole voimaa.	Mahdollinen syy	Ratkaisu
Tarkasta ilmansuodatin.	Suodatin on tukossa.	Pese ilmansuodatin.
Tarkasta polttoaine.	Huonoa/vanhaa polttoainetta.	Tyhjennä säiliö ja kaasutin ja lisää uutta polttoainetta.
Moottorivika.	Moottorivika.	Vie pumppu valtuutettuun huoltoliikkeeseen.

### 9.2 Pumppu

Pumpusta ei tule vettä.	Mahdollinen syy	Ratkaisu
Tarkasta pumpun runko.	Pumpun runkoa ei ole täytetty vedellä.	Täytä vedellä.
Tarkasta veden tulo.	Imuletku on viallinen tai vuotaa.	Vaihda imuletku.
	Imusuodatin ei ole kokonaan veden pinnan alla.	Upota imusuodatin veden pinnan alle ja varmista, että se pysyy veden pinnan alla.
	Imuliitäntä ei ole tiivis.	Varmista, että tiiviste on asennettu ja että se on ehjä. Kiristä liitos ja letkukiristin.
	Imusuodatin on tukossa.	Puhdista imusuodatin.
Mittaa imu-/paine korkeus.	Nostokorkeus on liian suuri.	Muuta pumpun ja/tai letkujen sijaintia.

Pumpussa liian alhainen virtaus.	Mahdollinen syy	Ratkaisu
Tarkasta kaasunsäädin.	Kaasunsäädin väärässä asennossa.	Aseta kaasunsäädin täydelle kaasulle.
Tarkasta veden tulo.	Imuletku viallinen, vuotaa, liian pitkä tai liian pieni halkaisija.	Vaihda imuletku.
	Imuliitäntä ei ole tiivis.	Varmista, että tiiviste on asennettu ja että se on ehjä. Kivistä liitos ja letkukiristin.
	Imusuodatin osittain tukossa.	Puhdista imusuodatin.
Tarkasta paineletku.	Letku on vioittunut, liian pitkä tai sen halkaisija on liian pieni.	Vaihda letku.
Mittaa imu-/paine korkeus.	Nostokorkeus on melkein liian suuri.	Muuta pumpun ja/tai letkujen sijaintia.

## 10. Kierrätys

Kierrätä tuote asianmukaisesti, kun poistat sen käytöstä. Ota yhteys kuntasi jätehuoltoon, mikäli olet epävarma.

## 11. Tekniset tiedot

<b>Malli</b>	IE40F-5A
<b>Moottori</b>	Ilmajäähdytteinen 2-tahtimoottori
<b>Sylinteritilavuus</b>	42,7 cm <sup>3</sup>
<b>Moottorin teho enintään</b>	1,5 hv
<b>Polttoaine</b>	Bensiinin ja öljyn sekoitus 50:1 (2 %)
<b>Säiliön tilavuus</b>	1,2 litraa
<b>Sytytystulppa</b>	TORCH: L7T Champion: CJ6Y & CJ6RY NGK: BPM6A & BPMR6A
<b>Kapasiteetti (virtaus)</b>	135 l/min
<b>Suurin imukorkeus</b>	7 m
<b>Suurin painekorkeus</b>	30 m
<b>Suurin veden lämpötila</b>	35 °C
<b>Liitäntä imu/ulostulo</b>	1" ulkokierre tai letkunippa 25 mm (1")
<b>Tyhjäkäynnin kierrosnopeus</b>	2500 k/min
<b>Melutaso LwA</b>	85 dB(A)
<b>Äänenpaine, LpA</b>	70 dB(A)
<b>Paino</b>	8 kg

# Declaration of Conformity

Försäkran om överensstämmelse

Samsvarerklæring

Vakuutus yhdenmukaisuudesta



**CLAS OHLSON AB**  
**SE-793 85 INSJÖN, SWEDEN**

Declares that this product complies with the requirements of the following directives and standards

Intygar att denna produkt överensstämmer med kraven i följande direktiv och standarder

Bekrefter at dette produktet er i samsvar med følgende direktiver og standarder

Vakuuttaa, että tämä tuote täyttää seuraavien direktiivien ja standardien vaatimukset

## **PUMP PETROL**

**Cotech 30-9529**

**IE40F-5A**

**Machinery directive**  
**2006/42/EC**

**EMC directive**  
**2004/108/EC**

EN 809:1998+A1:2009

EN 55012:2007  
EN 61000-6-1:2007

Klas Balkow  
President

Insjön, Sweden, 2011-03-28



## SVERIGE

---

KUNDTJÄNST      Tel: 0247/445 00  
Fax: 0247/445 09  
E-post: kundtjanst@clasohlson.se

INTERNET      [www.clasohlson.se](http://www.clasohlson.se)

BREV      Clas Ohlson AB, 793 85 INSJÖN

## NORGE

---

KUNDESENTER      Tlf.: 23 21 40 00  
Faks: 23 21 40 80  
E-post: kundesenter@clasohlson.no

INTERNETT      [www.clasohlson.no](http://www.clasohlson.no)

POST      Clas Ohlson AS, Postboks 485 Sentrum, 0105 OSLO

## SUOMI

---

ASIAKASPALVELU      Puh.: 020 111 2222  
Sähköposti: [info@clasohlson.fi](mailto:info@clasohlson.fi)

INTERNET      [www.clasohlson.fi](http://www.clasohlson.fi)

OSOITE      Clas Ohlson Oy, Annankatu 34-36 A, 00100 HELSINKI

## UNITED KINGDOM

---

For consumer contact, please visit  
[www.clasohlson.co.uk](http://www.clasohlson.co.uk) and click on  
customer service.

INTERNET      [www.clasohlson.co.uk](http://www.clasohlson.co.uk)