

Always here to help you

Register your product and get support at
www.philips.com/welcome

HD7751

Question?
Contact
Philips

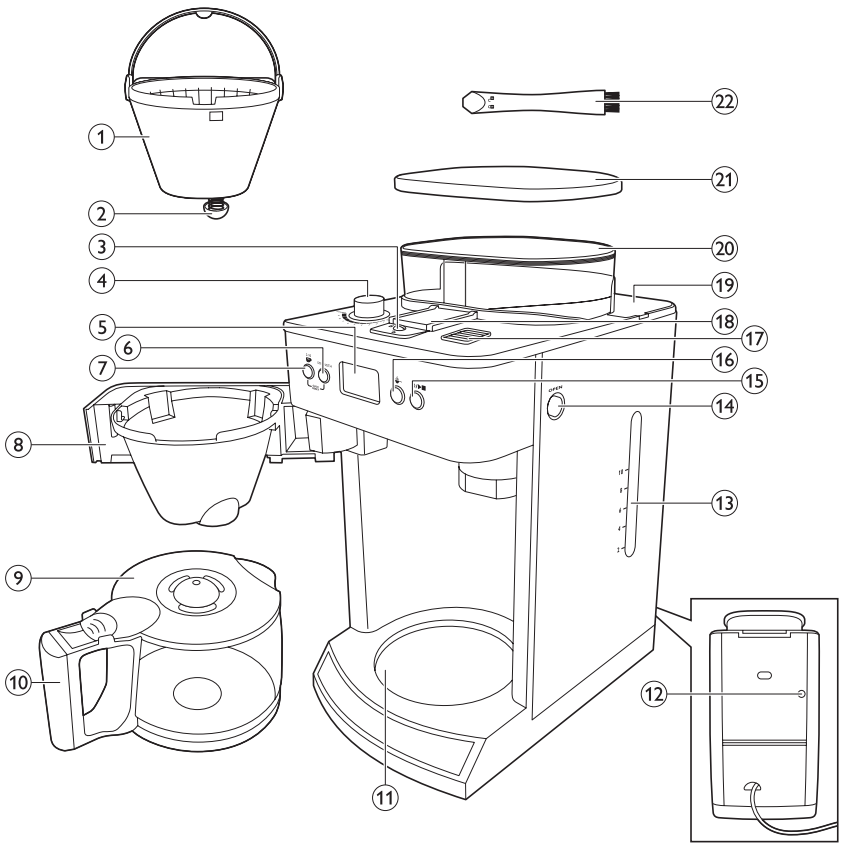


EN	User manual	5
DA	Brugervejledning	12
DE	Benutzerhandbuch	19
EL	Εγχειρίδιο χρήσης	27
ES	Manual del usuario	36
FI	Käyttöopas	44
FR	Mode d'emploi	51

IT	Manuale utente	59
NL	Gebruiksaanwijzing	67
NO	Brukerhåndbok	75
PT	Manual do utilizador	82
SV	Användarhandbok	90
TR	Kullanım kılavuzu	97

PHILIPS





1 Introduction

Congratulations on your purchase and welcome to Philips! To fully benefit from the support that Philips offers, register your product at www.philips.com/welcome.

2 General description (Fig. 1)

- 1 Filter basket
- 2 Drip stop
- 3 Lock of coffee bean chute
- 4 Grind selection knob
- 5 Display
- 6 STRENGTH button
- 7 2-10 cups button
- 8 Filter basket holder
- 9 Jug lid
- 10 Glass jug
- 11 Hotplate
- 12 Overflow hole
- 13 Water reservoir with water level window
- 14 OPEN button for filter basket holder
- 15 On/off, start/standby button
- 16 Pre-ground coffee button
- 17 Steam vent
- 18 Lid of coffee bean chute
- 19 Water reservoir lid
- 20 Coffee bean container
- 21 Coffee bean container lid
- 22 Cleaning brush

3 Important

Read this user manual carefully before you use the appliance and save it for future reference.

3.1 Danger

- Never immerse the appliance in water or any other liquid, nor rinse it under the tap.
-

3.2 Warning

- Check if the voltage indicated on the bottom of the appliance corresponds to the local mains voltage before you connect the appliance.
- If the mains cord is damaged, you must have it replaced by Philips, a service centre authorised by Philips or similarly qualified persons in order to avoid a hazard.
- This appliance is not intended for use by persons (including children) with reduced physical, sensory or mental capabilities, or lack of experience and knowledge, unless they have been given supervision or instruction concerning use of the appliance by a person responsible for their safety.
- Children should be supervised to ensure that they do not play with the appliance.
- Keep the mains cord out of the reach of children. Do not let the mains cord hang over the edge of the table or worktop on which the appliance stands.
- Do not touch the grinding burrs of the appliance, especially when the appliance is connected to the mains.
- Keep the packaging materials (plastic bags, cardboard buffers, etc.) out of the reach of children, as they are not a toy.
- Do not touch the hot surfaces of the appliance when it operates.
- This appliance is designed to grind beans and make coffee. Use it correctly and with care to avoid scalding by hot water and steam.
- Do not use the appliance if the plug, the mains cord or the appliance itself is damaged.

- If a problem occurs that you cannot solve by means of this user manual, contact the Consumer Care Centre in your country. If the problem cannot be solved, take the appliance to a service centre authorised by Philips for examination or repair. Do not attempt to repair the appliance yourself, otherwise your guarantee becomes invalid.

3.3 Caution

- Do not place the appliance on a hot surface and prevent the mains cord from coming into contact with hot surfaces.
- Unplug the appliance if problems occur during grinding or brewing and before you clean it.
- The jug is hot during and after brewing. Always hold the jug by its handle.
- Never use the jug in a microwave oven.
- Do not move the appliance while it is operating.
- Wait until the appliance has cooled down before you store it. The hotplate and the coffee jug may be hot.
- After you have unpacked the appliance, make sure it is complete and undamaged. If in doubt, do not use the appliance but contact the Consumer Care Centre in your country.
- This appliance is intended for normal household use only. It is not intended for use in environments such as staff kitchens of shops, offices, farms or other work environments. Nor is it intended to be used by clients in hotels, motels, bed and breakfasts and other residential environments.

3.4 Electromagnetic fields (EMF)

This Philips appliance complies with all standards regarding electromagnetic fields (EMF). If handled properly and according to the instructions in this user manual, the appliance is safe to use based on scientific evidence available today.

4 Before first use

4.1 Flushing the appliance

You need to flush the coffeemaker once before first use.

- 1 Put the mains plug in the wall socket.
 - *The start/standby button lights up.*
- 2 Press the start/standby button (Fig. 2).
 - *The display lights up and the appliance beeps.*

Note:

If you do not press any button within 5 minutes, the appliance goes into standby mode. In this case, the display goes out and only the start/standby button stays on to indicate that the appliance is still switched on. In standby mode, you can press any button to reactivate the appliance.

- 3 Open the water reservoir lid. Fill the water reservoir with fresh cold water **up to the 10-cup indication (Fig. 3).**

Note:

Do not put coffee beans or ground coffee in the appliance.

- 4 Close the water reservoir lid.
- 5 Place the jug on the hotplate (Fig. 4).

Note:

Make sure the lid is on the jug and the jug is properly placed on the hot plate. The spout of the jug has to face forward into the appliance. If the lid is not on the jug or the jug is not properly placed, the drip stop function is automatically activated (see chapter 'Using the appliance', section 'Drip stop function').

- 6 Press the start/standby button (Fig. 5).
 - *The appliance beeps and the freshness indicator appears on the display.*
- 7 Press the pre-ground coffee button to switch off the grinder (Fig. 6).
 - *The button lights up when you press it.*

Note:

When you switch off the grinder, the number of cups and the strength setting are not shown on the display.

- 8** Press the start/standby button to start the brewing process (Fig. 7).
- 9** Let the appliance operate until all the water has flowed into the jug.
 - *The coffeemaker produces 5 beeps when the brewing process is finished.*
- 10** Press the start/standby button to stop the brewing/ keep-warm process. (Fig. 5)
- 11** Empty the jug.

5 Using the appliance

5.1 Filling the water reservoir

- 1** Open the water reservoir lid and fill the water reservoir with the required amount of cold water (Fig. 3).

There are indications for 2 to 10 cups (275ml to 1375ml) on the water level window and on the jug. You can use these indications to determine how much water to put in the water reservoir. Keep in mind that the amount of brewed coffee will be slightly less, since ground coffee absorbs water.

Tip:

Use the jug to fill the water reservoir with the required amount of water.

Note: (Fig. 8)

Do not fill the water reservoir beyond the 10-cup indication, otherwise water spills from the opening at the back.

5.2 Using coffee beans

Warning:

Do not put espresso coffee beans in the coffee bean container. Only use regular coffee beans.

Warning:

Always keep the water reservoir lid closed when you fill the coffee bean container with coffee beans. Otherwise coffee beans can fall into the water reservoir and block up the water inlet.

- 1** Press the OPEN button on the right-hand side of the appliance to open the filter basket holder. (Fig. 9)
- 2** Place a paper filter (no. 4) in the filter basket to collect the ground coffee. (Fig. 10)
- 3** Remove the coffee bean container lid (1) and fill the container with coffee beans (2). Make sure there are enough coffee beans in the container for the amount of coffee you want to brew (Fig. 11).

Note:

Always make sure the bean container is at least half full.

Warning:

The maximum capacity of the coffee bean container is 250g. To prevent the grinder from jamming, do not exceed this amount.

Warning:

To prevent the grinder from jamming, do not use unroasted or caramelised beans.

- 4** Turn the grind selection knob to select the desired type of grind (from fine to coarse). There are nine grind settings (Fig. 12).

Tip:

We advise you to experiment with the different grind settings to find out which setting you prefer.

- 5** To select the number of cups, press the 2-10 cups button as many times as the desired number of cups (Fig. 13).

- The 2-10 cups button lights up when you press it.
- The selected number of cups appears on the display.

 **Note:**

The appliance uses all the water in the water tank. Make sure that the number of cups you select with the 2-10 cups button equals the amount of water that you have poured into the water reservoir. If you select a number of cups that is smaller than the amount of water, the coffee becomes weaker than you intended.

- 6 Press the STRENGTH button once or several times until the desired coffee strength is selected (mild, medium or strong) (Fig. 14).
 - The STRENGTH button lights up when you press it.
 - The display shows the selected coffee strength.
- 7 Press the start/standby button to start the brewing process (Fig. 15).

 **Warning:**

Keep away from the steam vent during brewing, as hot steam escapes through the vent.

- The grinder grinds the required amount of coffee beans.
- The freshness indicator flashes quickly on the display until the brewing process is finished (Fig. 16).
- The coffeemaker beeps 5 times when the brewing process is finished.
- The hotplate switches on automatically.

 **Warning:**

Do not touch the hotplate while it is on, as it gets hot.

- 8 Wait until the coffeemaker has stopped beeping before you remove the jug from the hotplate.

 **Note:**

After brewing, coffee drips from the filter basket for several seconds.

- The freshness indicator flashes slowly on the display for 120 minutes after brewing, to indicate that the coffee is fresh.

- 9 If you do not need the hotplate to keep the coffee hot, press the start/standby button to put the appliance in standby mode (Fig. 17).

- The appliance produces a long beep and the start/standby button stays on to indicate that the appliance is still switched on.

 **Note:**

If you do not press the start/standby button to put the appliance in standby mode, the appliance goes into standby mode automatically after 120 minutes. The start/standby button stays on to indicate that the appliance is still plugged into the mains.

 **Note:**

You can press any button to activate the appliance and brew coffee again.

5.3 Using pre-ground coffee

If you want to use pre-ground coffee instead of coffee beans, follow the steps below.

- 1 Fill the water reservoir with water, as described in 'Filling the water reservoir'.
- 2 Press the OPEN button on the right-hand side of the appliance to open the filter basket holder. (Fig. 9)
- 3 Place a paper filter (no. 4) in the filter basket. (Fig. 18)
- 4 Press the pre-ground coffee button to switch off the grinder (Fig. 6).
 - The button lights up when you press it.

 **Note:**

When you switch off the grinder, the number of cups and the strength setting are not shown on the display.

- 5 Put pre-ground coffee in the paper filter or in the permanent filter.

Note:

How much pre-ground coffee you use is a matter of personal taste. For a medium-strong cup of coffee, use one measuring spoon (approximately 6g) for each cup (125ml).

- 6** Close the filter basket holder and place the jug on the hotplate.
- 7** Follow steps 7, 8 and 9 in section 'Using coffee beans'.

5.4 Drip stop function

The drip stop function enables you to remove the jug from the coffeemaker before the brewing process is finished. When you remove the jug, the drip stop stops the flow of coffee into the jug.

Note:

The brewing process does not stop when you remove the jug. If you do not put the jug back onto the hotplate within 20 seconds, the filter basket overflows.

6 Cleaning and maintenance

6.1 Cleaning after every use

Warning:

Never immerse the appliance in water or any other liquid, nor rinse it under the tap.

- 1** Remove the mains plug from the wall socket.
- 2** Wipe the outside of the coffeemaker and the hotplate with a damp cloth.
- 3** Clean the filter basket and the glass jug with hot water and some washing-up liquid or clean them in the dishwasher.

6.2 Cleaning the coffee bean chute

You have to clean the coffee bean chute every 1 to 2 weeks, depending on the frequency of use.

- 1** Put the mains plug in the wall socket.
- 2** Press the start/standby button (Fig. 2).
 - *The start/standby button and the display lights up.*
- 3** Press the start/standby button and then remove the mains plug from the wall socket.
- 4** Insert the flat end of the cleaning brush handle into the chute lock and turn the lock to the 'open' position. (Fig. 19)
- 5** Open the lid of the coffee bean chute (Fig. 20).
- 6** Use the cleaning brush to brush ground coffee residues into the lower part of the chute (Fig. 21).

Tip:

Place a paper filter in the filter basket to collect the ground coffee.

- *The ground coffee residues fall into the filter basket.*
- 7** Close the lid of the coffee bean chute and turn the lock to the 'locked' position (Fig. 22).
 - 8** Remove the paper filter with the ground coffee residues and throw it away.

6.3 Descaling the coffeemaker

When the message 'CALC' appears on the display (after approx. 60 brewing processes), you need to descale the coffeemaker, as scale can clog the coffeemaker.

Regular descaling prolongs the life of the appliance and guarantees optimal brewing results and a constant brewing time for a long time. Descal the appliance:

- every 120 brewing cycles if you use soft water (up to 18dH).
- every 60 brewing cycles if you use hard water (over 18dH).

You can contact your local water board for information about the water hardness in your area.

Note:

If you are not aware of the water hardness in your area and are not in a position to contact your local water board, we advise you to descale the appliance every time the 'CALC' message appears on the display.

Note:

To remove the 'CALC' message from the display, press the 2-10 CUPS button and the STRENGTH button simultaneously.

- 1** Open the water reservoir lid.
- 2** Fill the water reservoir with 7 cups of white vinegar (4% acetic acid) and 3 cups of water (Fig. 23).
- 3** Place a paper filter (no. 4) in the filter basket and close the filter basket holder.
- 4** Place the empty jug on the hotplate (Fig. 4).
- 5** Put the mains plug in the wall socket.
- 6** Press the start/standby button.
- 7** Press the pre-ground coffee button to switch off the grinder. Then press the start/standby button to start the brewing process.
- 8** Wait until half of the vinegar-water solution has flowed into the jug. Then press the start/standby button to stop the brewing process and let the solution soak for at least 15 minutes.
- 9** Press the start/standby button to switch the coffeemaker back on and wait until the rest of the solution has flowed into the jug. Then press the start/standby button to put the appliance in standby mode.
- 10** Empty the jug and throw away the paper filter.
- 11** Fill the water reservoir with cold water and press the start/standby button to start another brewing process. Let the coffeemaker complete the entire brewing process and empty the jug.
- 12** Repeat step 12 until the water no longer tastes or smells like vinegar.
- 13** Clean the filter basket and the jug with hot water and some washing-up liquid.

7 Ordering accessories

To buy accessories or spare parts, visit

www.shop.philips.com/service or go to your Philips dealer. You can also contact the Philips Consumer Care Centre in your country (see the worldwide guarantee leaflet for contact details).

8 Environment

- Do not throw away the appliance with the normal household waste at the end of its life, but hand it in at an official collection point for recycling. By doing this, you help to preserve the environment (Fig. 24).
-

9 Guarantee and support

If you need information or support, please visit www.philips.com/support or read the separate worldwide guarantee leaflet.

10 Troubleshooting

This chapter summarises the most common problems you could encounter with the appliance. If you are unable to solve the problem with the information below, visit www.philips.com/support for a list of frequently asked questions or contact the Consumer Care Centre in your country.

The appliance does not work.

- Make sure that the voltage indicated on the appliance corresponds to the local mains voltage.
- Fill the water reservoir with water.

When I use the grinder, the coffee is too weak.

- Make sure the number of cups you select with the 2-10 cups button is consistent with the amount of water in the water reservoir. Please keep in mind that the appliance uses all the water in the water reservoir.
- Use the STRENGTH button to set the coffee strength to 'strong'.
- When you use coffee beans, make sure you do not press the pre-ground coffee button, as this switches off the grinder.
- Use coffee beans of a stronger blend or flavour.
- To increase the coffee strength, select a higher number of cups with the 2-10 cups button than the number of cups you fill the water reservoir with.

When I use pre-ground coffee, the coffee is too weak.

- Make sure the amount of pre-ground coffee in the filter is consistent with the amount of water in the water reservoir. Please keep in mind that the appliance uses all the water in the water reservoir.
- Use ground coffee of a stronger blend or flavour.
- To increase the coffee strength, increase the amount of pre-ground coffee or decrease the amount of water.

The filter overflows when I remove the jug from the appliance while it is brewing coffee.

- If you remove the jug for more than 20 seconds during the brewing process, the drip stop causes the filter basket to overflow. Also note that the coffee does not reach its full taste before the end of the brewing process. Therefore we advise you not to remove the jug and pour out the coffee before the end of the brewing process.

The appliance continues to drip long after the brewing process has ended.

- The dripping is caused by condensation of steam. It is completely normal that the appliance drips for some time.
- If the dripping does not stop, the drip stop may be clogged. To clean the drip stop, press the OPEN button on the right-hand side of the appliance to open the filter basket holder. Take out the filter basket. Then rinse the filter basket and the drip stop under the tap.
- If you remove the jug for more than 20 seconds during the brewing process, the drip stop causes the filter basket to overflow.

The coffee is not hot enough.

- Make sure the jug is placed properly on the hotplate.
- Make sure that the hotplate and the bottom of the jug are clean.
- Use thin-walled cups, because they absorb less heat from the coffee than thick-walled cups.
- Do not use milk that comes directly out of the fridge.
- Descale the appliance. See section 'Descaling' in chapter 'Cleaning and maintenance'.

1 Introduktion

Tillykke med dit køb og velkommen til Philips!
For at få fuldt udbytte af den support, Philips tilbyder, skal du registrere dit produkt på www.philips.com/welcome.

2 Generel beskrivelse (fig. 1)

- 1 Filterkurv
- 2 Drypstop-funktion
- 3 Lås til kaffebønnesliske
- 4 Vælgerknap til maling
- 5 Display
- 6 Knappen STRENGTH (styrke)
- 7 Knappen 2-10 CUPS
- 8 Holder til filterkurv
- 9 Kandelæg
- 10 Glaskande
- 11 Varmeplade
- 12 Overløbshul
- 13 Vandtank med vandstandsrudd
- 14 Knappen OPEN (åbn) til filterkurvens holder
- 15 Tænd/sluk, start/standby-knap
- 16 Knap til formaling af kaffe
- 17 Dampventil
- 18 Låg til kaffebønnesliske
- 19 Låg til vandtank
- 20 Beholder til kaffebønner
- 21 Låg til kaffebønnebeholder
- 22 Rensebørste

3 Vigtigt

Læs denne brugsvejledning omhyggeligt igennem, inden apparatet tages i brug, og gem den til eventuelt senere brug.

3.1 Fare

- Apparatet må aldrig kommes ned i vand eller andre væsker eller skylles under vandhanen.

3.2 Advarsel

- Kontrollér, om spændingsangivelsen i bunden af apparatet svarer til den lokale netspænding, før du slutter strøm til apparatet.
- Hvis netledningen beskadiges, må den kun udskiftes af Philips, et autoriseret Philips-serviceværksted eller en tilsvarende kvalificeret fagmand for at undgå enhver risiko.
- Dette apparat er ikke beregnet til at blive brugt af personer (herunder børn) med nedsatte fysiske og mentale evner, nedsat følesans eller manglende erfaring og viden, medmindre de er blevet vejledt eller instrueret i apparatets anvendelse af en person, der er ansvarlig for deres sikkerhed.
- Apparatet bør holdes uden for børns rækkevidde for at sikre, at de ikke kan komme til at lege med det.
- Hold netledningen uden for børns rækkevidde. Lad aldrig netledningen hænge ud over kanten af (køkken)bordet, hvor apparatet er placeret.
- Undgå at røre ved slutskiverne til formaling på apparatet, især når apparatet er tilsluttet en stikkontakt.
- Hold emballagen (plastikposer, pap, karton osv.) uden for børns rækkevidde. Det er ikke legetøj.
- Rør aldrig ved apparatets varme dele under betjening.
- Dette apparat er designet til at male bønner og lave kaffe. Brug det korrekt og med omhu for at undgå skoldning fra varmt vand og damp.
- Brug aldrig apparatet, hvis netstik, netledning eller selve apparatet er beskadiget.

- Hvis der opstår problemer, du ikke kan løse ved hjælp af brugsvejledningen, bedes du kontakte det lokale Philips Kundecenter. Hvis ikke problemet kan løses, skal du medbringe apparatet til et autoriseret Philips-serviceværksted, så de kan undersøge eller reparere det. Forsøg aldrig selv at reparere apparatet, da reklamationsretten i så fald bortfalder.

3.3 Forsigtig

- Stil aldrig apparatet på et varmt underlag, og sørg for, at netledningen ikke kommer i berøring med varme flader.
- Tag stikket ud af stikkontakten, hvis der opstår problemer under formling eller brygning samt før rengøring af apparatet.
- Kanden er varm under og efter brygningen. Brug altid håndtaget, når du skal løfte kanden.
- Brug aldrig kanden i en mikroovn.
- Flyt ikke apparatet under brug.
- Vent, indtil apparatet er kølet af, før du stiller det væk. Varmepladen og kaffekanden kan være varme.
- Efter udpakningen af apparatet skal du kontrollere, at det er helt og ubeskadiget. Anvend ikke apparatet, hvis du er i tvivl. Du bedes i stedet kontakte det lokale Philips Kundecenter.
- Dette apparat er kun beregnet til normal anvendelse i hjemmet. Det er ikke beregnet til brug i miljøer som personalekøkkener i butikker, på kontorer, på gårde eller andre arbejdspladser. Det er heller ikke beregnet til brug af gæster på hoteller, moteller, på bed and breakfasts eller i andre værelser til udlejning.

3.4 Elektromagnetiske felter (EMF)

Dette Philips-apparat overholder alle standarder for elektromagnetiske felter (EMF). Ved korrekt anvendelse i overensstemmelse med instruktionerne i denne brugervejledning er apparatet sikkert at anvende ifølge den videnskabelige viden, der er tilgængelig i dag.

4 Før apparatet tages i brug

4.1 Gennemskylning

Du skal gennemskylle kaffemaskinen før første brug.

- 1 Sæt stikket i en stikkontakt.
 - *Start/standby-knappen lyser.*
- 2 Tryk på start/standby-knappen (fig. 2).
 - *Displayet lyser, og apparatet bipper.*

Bemærk:

Hvis du ikke trykker på en knap i 5 minutter, skifter apparatet til standby. Hvis det sker, slukkes displayet, og det er kun start/standby-knappen, der lyser for at angive, at apparatet stadigvæk er tændt. I standbytilstand kan du trykke på en hvilken som helst knap for at aktivere apparatet igen.

- 3 Åbn låget til vandtanken. Fyld vandtanken med friskt, koldt vand **op til markering for 10 kopper** (fig. 3).

Bemærk:

Put ikke kaffebønner eller malet kaffe i apparatet.

- 4 Luk låget til vandtanken.
- 5 Stil kanden på varmepladen (fig. 4).

Bemærk:

Sørg for, at kandens låg sidder på, og at kanden er rigtigt placeret på varmepladen. Kandens tud skal vende fremad ind mod apparatet. Hvis låget ikke er på, eller kanden er forkert placeret, aktiveres drypstop-funktionen automatisk (se kapitlet "Sådan bruges apparatet", afsnittet "Drypstop-funktion").

- 6 Tryk på start/standby-knappen (fig. 5).
 - *Apparatet bipper, og friskhedsindikatoren vises på displayet.*
- 7 Tryk på knappen til formling af kaffe for at slukke for kværnen (fig. 6).
 - *Knappen lyser op, når du trykker på den.*

Bemærk:

Når du slukker for kværnen, vises antallet af kopper og styrkeindstillingen ikke på displayet.

- 8** Tryk på start/standby-knappen for at starte brygningen (fig. 7).
- 9** Lad apparatet være tændt, indtil alt vandet er løbet ned i kanden.
 - *Kaffemaskinen frembringer 5 bip, når brygningen er færdig.*
- 10** Tryk på start/standby-knappen for at stoppe brygningen/hold varm-processen. (fig. 5)
- 11** Tøm kanden.

5 Sådan bruges apparatet

5.1 Påfyldning af vandtanken

- 1** Åbn låget til vandtanken, og fyld vandtanken med den påkrævede mængde koldt vand (fig. 3).

Der er markeringer for 2 til 10 kopper (275 ml til 1375 ml) på vandstandsruddet og på kanden. Du kan bruge disse markeringer til at bestemme, hvor meget vand du vil hælde i vandtanken. Husk på, at mængden af brygget kaffe vil være en smule mindre, da malet kaffe opsluger vand.

Tip:

Brug kanden til at fylde vandtanken med den påkrævede mængde vand.

Bemærk: (fig. 8)

Fyld ikke vandtanken til over markeringen for 10 kopper; da vandet ellers vil løbe ud af åbningen bagpå.

5.2 Brug af kaffebønner

Advarsel:

Put ikke espressokaffebønner i beholderen til kaffebønner. Brug kun almindelige kaffebønner.

Advarsel:

Hold altid låget til vandtanken lukket, når du fylder beholderen til kaffebønner med kaffebønner. Ellers kan kaffebønnerne falde ned i vandtanken og blokere for vandindtaget.

- 1** Tryk på knappen OPEN på højre side af apparatet for at åbne holderen til filterkurven. (fig. 9)
- 2** Placer et papirfilter (nr. 4) i filterkurven for at opsamle den malede kaffe. (fig. 10)
- 3** Fjern låget til kaffebønnebeholderen (1), og fyld beholderen med kaffebønner (2). Sørg for, at der er nok kaffebønner i beholderen til den mængde kaffe, du vil brygge (fig. 11).

Bemærk:

Sørg altid for, at bønnebeholderen er mindst halvt fuld.

Advarsel:

Den maksimale kapacitet for kaffebønnebeholderen er 250 g. For at forhindre, at kaffebønnebeholderen sætter sig fast, bør du ikke overskride denne mængde.

Advarsel:

Brug ikke uristede eller karamelliserede bønner; det forhindrer, at kværnen låser sig fast.

- 4** Drej vælgerknappen til maling for at vælge den ønskede type maling (fra fin til grov). Der er ni malingsindstillinger (fig. 12).

Tip:

Vi anbefaler, at du eksperimenterer med de forskellige malingsindstillinger for at finde ud af, hvilken indstilling du foretrækker.

5 Du vælger antallet af kopper ved at trykke på knappen 2-10 CUPS, så mange gange som det ønskede antal kopper (fig. 13).

- *Knappen 2-10 CUPS lyser, når du trykker på den.*
- *Det valgte antal kopper vises på skærmen.*

Bemærk:

Apparatet bruger alt vandet i vandtanken. Sørg for, at det antal kopper, du vælger med knappen 2-10 CUPS, svarer til den mængde vand, du har hældt i vandtanken. Hvis du vælger et mindre antal kopper end vandmængden, bliver kaffen tyndere, end du havde til hensigt.

6 Tryk på knappen STRENGTH en eller flere gange, indtil den ønskede kaffestyrke er valgt (mild, medium eller strong (stærk)) (fig. 14).

- *Knappen STRENGTH lyser op, når du trykker på den.*
- *Displayet viser den valgte kaffestyrke.*

7 Tryk på start/standby-knappen for at starte brygningen (fig. 15).

Advarsel:

Hold afstand til dampventilen under brygning, der kommer varm damp ud af ventilen.

- *Kværnen maler den påkrævede mængde kaffebønner.*
- *Friskhedsindikatoren blinker hurtigt på displayet, indtil brygningen er færdig (fig. 16).*
- *Kaffemaskinen bipper 5 gange, når brygningen er færdig.*
- *Varmepladen tænder automatisk.*

Advarsel:

Rør ikke ved varmepladen, mens den er tændt, den bliver varm.

8 Vent, indtil kaffemaskinen er stoppet med at bippe, inden du fjerner kanden fra varmepladen.

Bemærk:

Efter brygningen drypper der kaffe fra filterkurven i flere sekunder:

- *Friskhedsindikatoren blinker langsomt på displayet i 120 minutter efter brygningen for at indikere, at kaffen er frisk.*

9 Hvis du ikke har brug for varmepladen til at holde kaffen varm, skal du trykke på start/standby-knappen for at sætte apparatet i standbytilstand (fig. 17).

- *Apparatet udsender et langt bip, og start/standby-knappen forbliver tændt for at angive, at apparatet stadig er tændt.*

Bemærk:

Hvis du ikke trykker på start/standby-knappen for at sætte apparatet i standbytilstand, skifter det automatisk til standbytilstand efter 120 minutter. Start/standby-knappen forbliver tændt for at angive, at apparatet stadigvæk er tilsluttet.

Bemærk:

Du kan trykke på en hvilken som helst knap for at aktivere apparatet igen og brygge kaffe.

5.3 Brug af formalet kaffe

Hvis du vil bruge formalet kaffe i stedet for kaffebønner, skal du følge nedenstående trin.

1 Fyld vandtanken med vand som beskrevet under "Påfyldning af vandtanken".

2 Tryk på knappen OPEN på højre side af apparatet for at åbne holderen til filterkurven. (fig. 9)

3 Placer et papirfilter (nr. 4) i filterkurven. (fig. 18)

4 Tryk på knappen til formaling af kaffe for at slukke for kværnen (fig. 6).

- *Knappen lyser op, når du trykker på den.*

Bemærk:

Når du slukker for kværnen, vises antallet af kopper og styrkeindstillingen ikke på displayet.

5 Put formalet kaffe i papirfiltret eller i det permanente filter.

Bemærk:

Den mængde formalet kaffe, der skal bruges, afhænger af personlig smag. Ønsker du en kop kaffe af mediumstyrke, skal du bruge én måleske (ca. 6 g) for hver kop (125 ml).

- 6 Luk filterkurven, og placer kanden på varmepladen.
- 7 Følg trin 7, 8 og 9 i afsnittet "Brug af kaffebønner".

5.4 Drypstop-funktion

Drypstop-funktionen gør det muligt at fjerne kanden fra kaffemaskinen, inden bryggeprocessen er færdig. Når du fjerner kanden, stopper drypstop-funktionen kaffens løb ned i kanden.

Bemærk:

Brygningen stopper ikke, når du fjerner kanden. Hvis du ikke stiller kanden tilbage på varmepladen inden for 20 sekunder, flyder filterkurven over.

6 Rengøring og vedligeholdelse

6.1 Rengøring efter hver brug

Advarsel:

Apparatet må aldrig komme ned i vand eller andre væsker eller skylles under vandhanen.

- 1 Tag stikket ud af stikkontakten.
- 2 Tryk ydersiden af kaffemaskinen og varmepladen med en fugtig klud.
- 3 Rengør filterkurven og glaskanden med varmt vand og lidt opvaskemiddel, eller vask dem i opvaskemaskinen.

6.2 Rengøring af kaffebønneslisken

Du skal rengøre kaffebønneslisken hver eller hver anden uge, afhængigt af hvor tit du bruger apparatet.

- 1 Sæt stikket i en stikkontakt.
- 2 Tryk på start/standby-knappen (fig. 2).
 - *Start/standby-knappen og displayet lyser.*
- 3 Tryk på start/standby-knappen, og tag derefter netledningen ud af stikkontakten.
- 4 Isæt den flade ende af rengøringsbørstens greb i sliskens lås, og drej låsen til åben position. (fig. 19)
- 5 Åbn låget til kaffebønneslisken (fig. 20).
- 6 Brug rengøringsbørsten til at børste rester af malet kaffe ned i nederste del af slisken (fig. 21).

Tip:

Placer et papirfilter i filterkurven for at opsamle den maledede kaffe.

- *De maledede kafferester falder ned i filterkurven.*
- 7 Luk låget til kaffebønneslisken, og drej låsen til låst position (fig. 22).
 - 8 Fjern papirfilteret med de maledede kafferester, og smid det væk.

6.3 Afkalkning af kaffemaskine

Når meddelelsen "CALC" (Afkalkning) vises på displayet (efter ca. 60 brygninger), skal du afkalke kaffemaskinen, da kalk kan tilstoppe kaffemaskinen. Regelmæssig afkalkning forlænger apparatets levetid og sikrer et optimalt brygningsresultat og en konstant brygningstid i lang tid. Afkalk apparatet:

- for hver 120 brygninger, hvis du bruger blødt vand (op til 18 dH).
- for hver 60 brygninger, hvis du bruger hårdt vand (over 18 dH).

Oplysninger om vandets hårdhedsgrad fås på det lokale vandværk.

Bemærk:

Hvis du ikke kender vandets hårdhedsgrad i dit område, og du ikke har mulighed for at kontakte det lokale vandværk, anbefaler vi, at du afkalker apparatet, hver gang "CALC" vises på displayet.

Bemærk:

Tryk på knappen 2-10 CUPS og knappen STRENGTH samtidigt for at fjerne meddelelsen "CALC" på displayet.

- 1 Åbn låget til vandtanken.
- 2 Fyld vandtanken med 7 kopper hvid eddike (4% eddikesyre) og 3 kopper vand (fig. 23).
- 3 Placer et papirfilter (nr. 4) i filterkurven, og luk holderen til filterkurven.
- 4 Stil den tomme kande på varmepladen (fig. 4).
- 5 Sæt stikket i en stikkontakt.
- 6 Tryk på start/standby-knappen.
- 7 Tryk på knappen for formling af kaffe for at slukke for kværnen. Tryk derefter på start/standby-knappen for at starte brygningen.
- 8 Vent, indtil halvdelen af opløsningen af eddike og vand er løbet ned i kanden. Tryk derefter på start/standby-knappen for at stoppe brygningen, og lad opløsningen trække i mindst 15 minutter.
- 9 Tryk på start/standby-knappen for at tænde kaffemaskinen igen, og vent, indtil resten af opløsningen er løbet ned i kanden. Tryk derefter på start/standby-knappen for at slukke kaffemaskinen.
- 10 Tøm kanden, og smid papirfiltret ud.
- 11 Fyld vandtanken med koldt vand, og tryk på start/standby-knappen for at starte en ny brygning. Lad kaffemaskinen gennemføre hele brygningen, og tøm kanden.
- 12 Gentag trin 12, indtil vandet ikke længere smager eller lugter af eddike.
- 13 Rengør filterkurven og kanden med varmt vand og noget opvaskemiddel.

7 Bestilling af tilbehør

For at købe tilbehør eller reservedele kan du besøge www.shop.philips.com/service eller gå til din Philips-forhandler. Du kan også kontakte det lokale Philips Kundecenter i dit land (se folderen "World-Wide Guarantee" for at få kontaktoplysninger).

8 Miljøhensyn

- Apparatet må ikke smides ud sammen med almindeligt husholdningsaffald, når det til sin tid kasseres. Aflever det i stedet på en kommunal genbrugsstation. På den måde er du med til at beskytte miljøet (fig. 24).

9 Sikkerhed og support

Hvis du brug for hjælp eller support, bedes du besøge www.philips.com/support eller læse i den separate folder "World-Wide Guarantee".

10 Fejlfinding

Dette kapitel opsummerer de mest almindelige problemer, der kan forekomme ved brug af apparatet. Har du brug for yderligere hjælp og vejledning, så besøg www.philips.com/support for en liste af ofte stillede spørgsmål eller kontakt dit lokale Philips Kundecenter.

Apparatet fungerer ikke.

- Kontroller, at den angivne netspænding på apparatet svarer til den lokale netspænding.
- Fyld vandtanken med vand.

Når jeg bruger kværnen, smager kaffen for svagt.

- Sørg for, at det antal kopper, du vælger med knappen 2-10 CUPS, passer med mængden af vand i vandtanken. Husk på, at apparatet bruger alt vandet i vandtanken.
- Brug knappen STRENGTH til at indstille kaffens styrke til "strong" (stærk).
- Når du bruger kaffebønner, skal du sørge for, at du ikke trykker på knappen til formaling af kaffe, da det slukker for kværnen.
- Brug kaffebønner med en stærkere blanding eller smag.
- Du kan øge kaffestyrken ved at vælge et større antal kopper med knappen 2-10 CUPS end det antal kopper, du fylder vandtanken med.

Når jeg bruger formalet kaffe, er kaffens styrke for svag.

- Sørg for, at mængden af formalet kaffe i filteret passer med mængden af vand i vandtanken. Husk på, at apparatet bruger alt vandet i vandtanken.
- Brug malet kaffe med en stærkere blanding eller smag.
- For at øge kaffens styrke, skal du øge mængden af formalet kaffe eller reducere mængden af vand.

Filteret flyder over, når jeg fjerner kanden fra apparatet, mens det brygger kaffe.

- Hvis du fjerner kanden i mere end 20 sekunder under brygningen, får drypstoppet filterkurven til at løbe over. Vær også opmærksom på, at kaffen ikke opnår sin fulde smag, før brygningen er fuldført. Vi fraråder derfor, at du fjerner kanden og skænker kaffen, før brygningen er afsluttet.

Apparatet fortsætter med at dryppe et stykke tid efter endt brygning.

- Det skyldes kondensering af damp. Det er helt normalt, at apparatet drypper et stykke tid.
- Hvis apparatet ikke stopper med at dryppe, kan drypstopfunktionen være tilstoppet. Rengør drypstoppet ved at trykke på OPEN-knappen på højre side af apparatet for at åben filterkurvens holder. Tag filterkurven ud. Skyl derefter filterkurven og drypstoppet under vandhanen.
- Hvis du fjerner kanden i mere end 20 sekunder under brygningen, får drypstoppet filterkurven til at løbe over.

Kaffen er ikke tilstrækkelig varm.

- Kontroller, at kanden er sat rigtigt på varmepladen.
- Kontroller, at varmepladen og undersiden af kanden er rene.
- Brug tynde kopper, fordi de absorberer mindre varme fra kaffen end tykke kopper.
- Brug ikke mælk, der kommer direkte fra køleskabet.
- Afkalk apparatet. Se afsnittet "Afkalkning" i kapitlet "Rengøring og vedligeholdelse".

1 Einführung

Herzlichen Glückwunsch zu Ihrem Kauf und willkommen bei Philips! Um die Unterstützung von Philips optimal nutzen zu können, registrieren Sie Ihr Produkt bitte unter www.philips.com/welcome.

2 Allgemeine Beschreibung (Abb. 1)

- 1 Filterkorb
- 2 Tropf-Stopp
- 3 Verschluss der Kaffeebohenschütte
- 4 Wahlschalter für Mahlgrad
- 5 Anzeige
- 6 STRENGTH-Taste
- 7 2-10 CUPS-Taste
- 8 Filterkorbhalter
- 9 Kannendeckel
- 10 Glaskanne
- 11 Warmhalteplatte
- 12 Überlauflöffnung
- 13 Wasserbehälter mit Sichtfenster (Wasserstand)
- 14 OPEN-Taste für Filterkorbhalter
- 15 Ein-/Ausschalter; Start-/Standby-Taste
- 16 Taste für gemahlene Kaffee
- 17 Dampfventil
- 18 Deckel der Kaffeebohenschütte
- 19 Deckel des Wasserbehälters
- 20 Kaffeebohnenbehälter
- 21 Deckel des Kaffeebohnenbehälters
- 22 Reinigungsbürste

3 Wichtig

Lesen Sie diese Bedienungsanleitung vor dem Gebrauch des Geräts aufmerksam durch, und bewahren Sie sie für eine spätere Verwendung auf.

3.1 Gefahr

- Tauchen Sie das Gerät niemals in Wasser oder andere Flüssigkeiten; spülen Sie es auch nicht unter fließendem Wasser ab.

3.2 Warnhinweis

- Prüfen Sie vor Inbetriebnahme, ob die Spannungsangabe auf der Unterseite des Geräts mit der örtlichen Netzspannung übereinstimmt.
- Um Gefährdungen zu vermeiden, darf ein defektes Netzkabel nur von einem Philips Service-Center, einer von Philips autorisierten Werkstatt oder einer ähnlich qualifizierten Person durch ein Original-Ersatzkabel ersetzt werden.
- Dieses Gerät ist für Benutzer (einschl. Kinder) mit eingeschränkten physischen, sensorischen oder psychischen Fähigkeiten bzw. ohne jegliche Erfahrung oder Vorwissen nur dann geeignet, wenn eine angemessene Aufsicht oder ausführliche Anleitung zur Benutzung des Geräts durch eine verantwortliche Person sichergestellt ist.
- Achten Sie darauf, dass Kinder nicht mit dem Gerät spielen.
- Halten Sie das Netzkabel außerhalb der Reichweite von Kindern. Lassen Sie es nicht über die Kante der Tisch- oder Arbeitsplatte hängen, auf der das Gerät steht.
- Berühren Sie das Mahlwerk nicht. Dies gilt besonders dann, wenn das Gerät an das Stromnetz angeschlossen ist.
- Halten Sie Verpackungsmaterial (Plastikbeutel, Packkarton usw.) von Kindern fern. Diese Gegenstände sind kein Spielzeug.
- Vermeiden Sie jede Berührung der heißen Oberflächen, wenn das Gerät in Betrieb ist.

- Dieses Gerät ist für das Mahlen von Kaffeebohnen und die Zubereitung von Kaffee bestimmt. Verwenden Sie es ordnungsgemäß und mit Vorsicht, um Verbrühungen durch heißes Wasser oder Dampf zu vermeiden.
- Verwenden Sie das Gerät nicht, wenn der Netzstecker, das Netzkabel oder das Gerät selbst defekt oder beschädigt sind.
- Sollten Probleme mit dem Gerät auftreten, die sich mithilfe dieser Bedienungsanleitung nicht beheben lassen, wenden Sie sich bitte an das Philips Service-Center in Ihrem Land. Falls das Problem nicht gelöst werden kann, geben Sie das Gerät bitte zur Überprüfung bzw. Reparatur an ein Philips Service-Center. Versuchen Sie nicht, das Gerät selbst zu reparieren, da andernfalls Ihr Garantiespruch erlischt.

3.3 Achtung

- Stellen Sie das Gerät nicht auf heiße Flächen. Lassen Sie auch das Netzkabel nicht mit heißen Oberflächen in Berührung kommen.
- Ziehen Sie den Netzstecker aus der Steckdose, falls Probleme während des Mahl- oder Brühvorgangs auftreten und bevor Sie das Gerät reinigen.
- Während und nach dem Brühvorgang ist die Kanne heiß. Fassen Sie sie daher immer am Griff an.
- Verwenden Sie die Kanne keinesfalls in einer Mikrowelle.
- Bewegen Sie das Gerät nicht, während es in Betrieb ist.
- Lassen Sie das Gerät abkühlen, bevor Sie es wegräumen. Die Warmhalteplatte und die Kaffeekanne können noch heiß sein.
- Vergewissern Sie sich, nachdem Sie das Gerät ausgepackt haben, dass keine Teile fehlen und das Gerät nicht beschädigt ist. Falls Sie sich nicht sicher sind, verwenden Sie das Gerät bitte nicht, sondern wenden Sie sich an das Philips Service-Center in Ihrem Land.

- Dieses Gerät ist nur für den Gebrauch im privaten Haushalt bestimmt. Es ist z. B. nicht für die Verwendung in Personalküchen von Geschäften, Büros, landwirtschaftlichen Betrieben oder anderen Arbeitsbereichen vorgesehen. Auch ist es nicht für den Gebrauch in Hotels, Motels, Pensionen oder anderen Gastgewerben bestimmt.

3.4 Elektromagnetische Felder

Dieses Philips Gerät erfüllt sämtliche Normen bezüglich elektromagnetischer Felder (EMF). Nach aktuellen wissenschaftlichen Erkenntnissen ist das Gerät sicher im Gebrauch, sofern es ordnungsgemäß und entsprechend den Anweisungen in dieser Bedienungsanleitung gehandhabt wird.

4 Vor dem ersten Gebrauch

4.1 Das Gerät durchspülen

Sie müssen die Kaffeemaschine vor dem ersten Gebrauch einmal durchspülen.

- 1 Stecken Sie den Netzstecker in eine Steckdose.
 - **Die Start-/Standby-Taste leuchtet auf.**
- 2 Drücken Sie die Start-/Standby-Taste (Abb. 2).
 - **Das Display leuchtet auf, und das Gerät gibt Signaltöne aus.**

Hinweis:

Wenn Sie innerhalb von 5 Minuten keine Taste drücken, wechselt das Gerät in den Standby-Modus. In diesem Fall schaltet sich das Display aus und nur die Start-/Standby-Taste bleibt an, um anzuzeigen, dass das Gerät noch eingeschaltet ist. Im Standby-Modus können Sie jede beliebige Taste drücken, um das Gerät wieder zu aktivieren.

- 3** Öffnen Sie den Deckel des Wasserbehälters. Füllen Sie den Wasserbehälter mit frischem, kaltem Wasser **bis zur 10-Tassen-Markierung (Abb. 3).**

Hinweis:

Geben Sie keine Kaffeebohnen oder gemahlene Kaffeebohnen in das Gerät.

- 4** Schließen Sie den Deckel des Wasserbehälters.
5 Stellen Sie die Kanne auf die Warmhalteplatte (Abb. 4).

Hinweis:

Vergewissern Sie sich, dass sich der Deckel auf der Kanne befindet und dass die Kanne richtig auf der Warmhalteplatte steht. Der Ausgießer der Kanne muss dabei vorn in das Gerät zeigen. Wenn sich der Deckel nicht auf der Kanne befindet oder die Kanne nicht richtig platziert ist, wird automatisch die Tropf-Stopp-Funktion aktiviert (siehe Kapitel "Das Gerät benutzen", Abschnitt "Tropf-Stopp-Funktion").

- 6** Drücken Sie die Start-/Standby-Taste (Abb. 5).
- *Das Gerät gibt ein akustisches Signal ab, und die Frischeanzeige wird auf dem Display angezeigt.*
- 7** Drücken Sie die Taste für gemahlene Kaffeebohnen, um das Mahlwerk auszuschalten (Abb. 6).
- *Die Taste leuchtet auf, wenn Sie sie drücken.*

Hinweis:

Wenn Sie das Mahlwerk ausschalten, wird die Anzahl der Tassen und die Stärkeinstellung nicht auf dem Display angezeigt.

- 8** Drücken Sie auf die Start-/Standby-Taste, um den Brühvorgang zu beginnen (Abb. 7).
- 9** Lassen Sie das Gerät laufen, bis alles Wasser in die Kanne gelaufen ist.
- *Wenn der Brühvorgang beendet ist, ertönen 5 Pieptöne.*
- 10** Drücken Sie auf die Start-/Standby-Taste, um den Brühvorgang zu stoppen. (Abb. 5)
- 11** Leeren Sie die Kanne aus.

5 Das Gerät benutzen

5.1 Den Wasserbehälter füllen

- 1** Öffnen Sie den Deckel des Wasserbehälters, und füllen Sie den Wasserbehälter mit der erforderlichen Menge an kaltem Wasser (Abb. 3). Auf dem Sichtfenster für den Wasserstand und auf der Kanne finden Sie Markierungen für 2 bis 10 Tassen (275 ml bis 1375 ml). Mithilfe dieser Markierungen können Sie bestimmen, wie viel Wasser Sie in den Wasserbehälter füllen. Beachten Sie bitte, dass die Menge des zubereiteten Kaffees etwas weniger sein wird, da gemahlener Kaffee Wasser absorbiert.

Tipp:

Verwenden Sie die Kanne, um den Wasserbehälter mit der erforderlichen Wassermenge zu füllen.

Hinweis: (Abb. 8)

Füllen Sie den Wasserbehälter nicht über die 10-Tassen-Markierung, andernfalls tritt Wasser aus der Öffnung an der Rückseite des Geräts aus.

5.2 Kaffeebohnen verwenden

Warnhinweis:

Geben Sie keine Espresso-Kaffeebohnen in den Kaffeebohnenbehälter. Verwenden Sie nur gewöhnliche Kaffeebohnen.

Warnhinweis:

Lassen Sie den Deckel des Wasserbehälters immer geschlossen, wenn Sie den Kaffeebohnenbehälter mit Kaffeebohnen füllen. Andernfalls können Kaffeebohnen in den Wasserbehälter fallen und den Wasserzulauf blockieren.

- 1** Drücken Sie die Taste OPEN auf der rechten Seite des Geräts, um den Filterkorbbalger zu öffnen. (Abb. 9)
- 2** Setzen Sie eine Filtertüte (Nr: 4) in den Filterkorb ein, um den gemahlene Kaffee darin aufzufangen. (Abb. 10)
- 3** Entfernen Sie den Deckel des Kaffeebohnenbehälters (1) und füllen Sie den Behälter mit Kaffeebohnen (2). Vergewissern Sie sich, dass genug Kaffeebohnen für die Zubereitung der gewünschten Kaffeemenge im Behälter sind (Abb. 11).

Hinweis:

Achten Sie stets darauf, dass der Bohnenbehälter mindestens halb voll ist.

Warnhinweis:

Die maximale Fassungsvermögen des Kaffeebohnenbehälters beträgt 250 g. Überschreiten Sie diese Menge nicht, um zu verhindern, dass das Mahlwerk klemmt.

Warnhinweis:

Um zu verhindern, dass das Mahlwerk klemmt, verwenden Sie keine ungerösteten oder karamellisierten Bohnen.

- 4** Drehen Sie den Wahlschalter zum Einstellen des gewünschten Mahlgrads (von fein bis grob). Es gibt neun Mahlstufen (Abb. 12).

Tipp:

Wir empfehlen, verschiedene Mahlstufen zu testen, um Ihre bevorzugte Stufe herauszufinden.

- 5** Um die Anzahl der Tassen auszuwählen, drücken Sie die 2-10 CUPS-Taste entsprechend der Anzahl der gewünschten Tassen (Abb. 13).
 - Die 2-10 CUPS-Taste leuchtet auf, wenn Sie sie drücken.
 - Die ausgewählte Anzahl an Tassen erscheint auf dem Display.

Hinweis:

Das Gerät verbraucht das ganze Wasser im Wasserbehälter. Vergewissern Sie sich, dass die Anzahl der Tassen, die Sie mit der 2-10 CUPS-Taste auswählen, mit der Wassermenge im Wasserbehälter übereinstimmt. Wenn Sie eine Tassenanzahl wählen, die kleiner als die Wassermenge ist, wird der Kaffee schwächer als beabsichtigt.

- 6** Drücken Sie die STRENGTH-Taste einmal oder mehrmals, bis die gewünschte Kaffeestärke ausgewählt ist (mild, mittelstark oder stark) (Abb. 14).
 - Die STRENGTH-Taste leuchtet auf, wenn Sie sie drücken.
 - Auf dem Display wird die ausgewählte Kaffeestärke angezeigt.

- 7** Drücken Sie auf die Start-/Standby-Taste, um den Brühvorgang zu beginnen (Abb. 15).

Warnhinweis:

Halten Sie sich während des Brühvorgangs vom Dampfventil fern, weil heißer Dampf durch das Ventil entweicht.

- Das Mahlwerk mahlt die erforderliche Menge an Kaffeebohnen.
- Die Frischeanzeige blinkt schnell auf dem Display, bis der Brühvorgang beendet ist (Abb. 16).
- Wenn der Brühvorgang beendet ist, gibt das Gerät 5 Pieptöne aus.
- Die Warmhalteplatte schaltet sich automatisch ein.

Warnhinweis:

Berühren Sie die Warmhalteplatte nicht, während sie eingeschaltet ist, da sie sehr heiß wird.

- 8** Warten Sie, bis die Kaffeemaschine aufgehört hat zu piepen, bevor Sie die Kanne von der Warmhalteplatte nehmen.

Hinweis:

Nach dem Brühvorgang tropft noch einige Sekunden lang Kaffee vom Filterkorb.

- **Die Frischeanzeige blinkt langsam 120 Minuten lang nach dem Brühvorgang auf dem Display, um anzuzeigen, dass der Kaffee frisch ist.**

- 9** Wenn Sie die Warmhalteplatte nicht benötigen, um den Kaffee heiß zu halten, drücken Sie die Start-/Standby-Taste, um das Gerät in den Standby-Modus zu schalten (Abb. 17).

- **Das Gerät gibt einen langen Piepton aus, und die Start-/Standby-Taste bleibt an, um anzuzeigen, dass das Gerät noch eingeschaltet ist.**

Hinweis:

Wenn Sie das Gerät nicht mit der Start-/Standby-Taste in den Standby-Modus schalten, wechselt es nach 2 Stunden automatisch in den Standby-Modus. Die Start-/Standby-Taste bleibt an, um anzuzeigen, dass das Gerät noch mit der Stromversorgung verbunden ist.

Hinweis:

Sie können jede beliebige Taste drücken, um das Gerät wieder zu aktivieren und erneut Kaffee zuzubereiten.

5.3 Gemahlene Kaffee verwenden

Wenn Sie gemahlene Kaffee statt Kaffeebohnen verwenden wollen, befolgen Sie diese Schritte.

- 1** Füllen Sie den Wasserbehälter wie im Abschnitt "Den Wasserbehälter füllen" mit Wasser.
- 2** Drücken Sie die Taste OPEN auf der rechten Seite des Geräts, um den Filterkorbbalger zu öffnen. (Abb. 9)
- 3** Setzen Sie einen Papierfilter (Nr. 4) in den Filterkorb ein. (Abb. 18)
- 4** Drücken Sie die Taste für gemahlene Kaffee, um das Mahlwerk auszuschalten (Abb. 6).
 - **Die Taste leuchtet auf, wenn Sie sie drücken.**

Hinweis:

Wenn Sie das Mahlwerk ausschalten, wird die Anzahl der Tassen und die Stärkeeinstellung nicht auf dem Display angezeigt.

- 5** Geben Sie gemahlene Kaffee in die Filtertüte oder in den Dauerfilter:

Hinweis:

Wie viel gemahlene Kaffee Sie verwenden, ist eine Frage des individuellen Geschmacks. Für eine mittelstarke Tasse Kaffee verwenden Sie einen Messlöffel (ungefähr 6 g) je Tasse (125 ml).

- 6** Schließen Sie den Filterkorbbalger, und stellen Sie die Kanne auf die Warmhalteplatte.
- 7** Befolgen Sie die Schritte 7, 8 und 9 im Abschnitt "Kaffeebohnen verwenden".

5.4 Tropf-Stopp-Funktion

Dank der Tropf-Stopp-Funktion können Sie die Kanne aus der Kaffeemaschine herauszunehmen, bevor der Brühvorgang beendet ist. Wenn Sie die Kanne herausnehmen, verhindert die Tropf-Stopp-Funktion ein Auslaufen des Kaffees.

Hinweis:

Der Brühvorgang wird nicht unterbrochen, wenn Sie die Kanne herausnehmen. Wenn Sie die Kanne nicht innerhalb von 20 Sekunden auf die Warmhalteplatte zurückstellen, läuft der Filterkorb über.

6 Reinigung und Wartung

6.1 Reinigung nach jedem Gebrauch

Warnhinweis:

Tauchen Sie das Gerät niemals in Wasser oder andere Flüssigkeiten; spülen Sie es auch nicht unter fließendem Wasser ab.

- 1 Ziehen Sie den Netzstecker aus der Steckdose.
- 2 Reinigen Sie das Gehäuse der Kaffeemaschine und die Warmhalteplatte mit einem feuchten Tuch.
- 3 Reinigen Sie den Filterkorb und die Glaskanne in heißem Spülwasser oder im Geschirrspüler.

6.2 Die Kaffeebohenschütte reinigen

Sie müssen die Kaffeebohenschütte alle 1 bis 2 Wochen reinigen, je nach Häufigkeit des Gebrauchs.

- 1 Stecken Sie den Netzstecker in eine Steckdose.
- 2 Drücken Sie die Start-/Standby-Taste (Abb. 2).
 - **Die Start-/Standby-Taste und das Display leuchten auf.**
- 3 Drücken Sie die Start-/Standby-Taste, und ziehen Sie dann den Netzstecker aus der Steckdose.
- 4 Führen Sie das flache Ende des Reinigungsbürstengriffs in den Verschluss der Schütte ein, und drehen Sie den Verschluss auf die Position zum Öffnen. (Abb. 19)
- 5 Öffnen Sie den Deckel der Kaffeebohenschütte (Abb. 20).
- 6 Verwenden Sie die Reinigungsbürste, um Reste von gemahlenem Kaffee in den unteren Teil der Schütte zu bürsten (Abb. 21).

* Tipp:

Setzen Sie eine Filtertüte in den Filterkorb ein, um den gemahlenen Kaffee darin aufzufangen.

- **Die Reste des gemahlenen Kaffees fallen in den Filterkorb.**
- 7 Schließen Sie den Deckel der Kaffeebohenschütte, und drehen Sie den Verschluss auf die Position zum Schließen (Abb. 22).
 - 8 Entfernen Sie die Filtertüte und entsorgen Sie sie mitsamt den Resten von gemahlenem Kaffee.

6.3 Die Kaffeemaschine entkalken

Wenn auf dem Display die Nachricht "CALC" (Reinigen) angezeigt wird (nach ungefähr 60 Brühvorgängen), müssen Sie die Kaffeemaschine entkalken, da Kalk das Gerät verstopfen kann.

Regelmäßiges Entkalken verlängert die Lebensdauer des Geräts und gewährleistet für lange Zeit eine optimale Kaffeezubereitung und konstante Brühzeiten. Entkalken Sie das Gerät:

- Nach je 120 Brühvorgängen, wenn Sie weiches Wasser verwenden (Wasserhärte 1 und 2).
- Nach je 60 Brühvorgängen, wenn Sie hartes Wasser (Wasserhärte 3 und 4) verwenden.

Das für Sie zuständige Wasserwerk kann Ihnen Auskunft über den Härtegrad in Ihrer Region geben.

☰ Hinweis:

Wenn Sie den Härtegrad in Ihrer Region nicht kennen und sich nicht an das für Sie zuständige Wasserwerk wenden können, empfehlen wir Ihnen, das Gerät immer dann zu entkalken, wenn die Nachricht "CALC" auf dem Display angezeigt wird.

☰ Hinweis:

Um die Nachricht "CALC" vom Display zu entfernen, drücken Sie die 2-10 CUPS-Taste und die STRENGTH-Taste gleichzeitig.

- 1 Öffnen Sie den Deckel des Wasserbehälters.
- 2 Füllen Sie den Wasserbehälter mit 7 Tassen Haushaltsessig (4 % Säuregehalt) und 3 Tassen Wasser (Abb. 23).
- 3 Setzen Sie eine Filtertüte (Nr. 4) in den Filterkorb ein, und schließen Sie den Filterkorbbalger.
- 4 Stellen Sie die leere Kanne auf die Warmhalteplatte (Abb. 4).
- 5 Stecken Sie den Netzstecker in eine Steckdose.
- 6 Drücken Sie die Start-/Standby-Taste.
- 7 Drücken Sie die Mahltaste, um das Mahlwerk auszuschalten. Drücken Sie anschließend die Start-/Standby-Taste, um den Brühvorgang zu starten.

-
- 8** Warten Sie, bis die Hälfte der Essig-Wasserlösung in die Kanne geflossen ist. Drücken Sie dann die Start-/Standby-Taste, um den Brühvorgang anzuhalten, und lassen Sie die Lösung für mindestens 15 Minuten einweichen.
 - 9** Drücken Sie die Start-/Standby-Taste, um die Kaffeemaschine wieder einzuschalten, und warten Sie, bis die restliche Lösung in die Kanne geflossen ist. Drücken Sie dann die Start-/Standby-Taste, um das Gerät in den Standby-Modus zu schalten.
 - 10** Leeren Sie die Kanne, und entsorgen Sie die Filtertüte.
 - 11** Füllen Sie den Wasserbehälter mit kaltem Wasser, und drücken Sie die Start-/Standby-Taste, um einen weiteren Brühvorgang zu starten. Lassen Sie die Kaffeemaschine den ganzen Brühvorgang vollenden, und leeren Sie die Kanne.
 - 12** Wiederholen Sie Schritt 12, bis das Wasser nicht mehr nach Essig schmeckt oder riecht.
 - 13** Reinigen Sie den Filterkorb und die Kanne mit heißem Wasser und etwas Spülmittel.
-

7 Zubehör bestellen

Um Zubehörteile oder Ersatzteile zu kaufen, besuchen Sie **www.shop.philips.com/service**, oder gehen Sie zu Ihrem Philips Händler; Sie können auch das Philips Service-Center in Ihrem Land kontaktieren (die Kontaktdetails finden Sie in der internationalen Garantieschrift).

8 Umwelt

- Geben Sie das Gerät am Ende der Lebensdauer nicht in den normalen Hausmüll. Bringen Sie es zum Recycling zu einer offiziellen Sammelstelle. Auf diese Weise tragen Sie zum Umweltschutz bei (Abb. 24).
-

9 Garantie und Support

Für Unterstützung und weitere Informationen besuchen Sie die Philips Website unter **www.philips.com/support**, oder lesen Sie die internationale Garantieschrift.

10 Fehlerbehebung

In diesem Abschnitt sind die häufigsten Probleme zusammengestellt, die mit Ihrem Gerät auftreten können. Sollten Sie ein Problem mithilfe der nachstehenden Informationen nicht beheben können, besuchen Sie unsere Website unter: **www.philips.com/support** für eine Liste mit häufig gestellten Fragen, oder wenden Sie sich den Kundendienst in Ihrem Land.

Das Gerät funktioniert nicht.

- Prüfen Sie, ob die Spannungsangabe auf dem Gerät mit der örtlichen Netzspannung übereinstimmt.
- Füllen Sie den Wasserbehälter mit Wasser.

Wenn ich das Mahlwerk verwende, ist der Kaffee zu schwach.

- Vergewissern Sie sich, dass die Anzahl der Tassen, die Sie mit der 2-10 CUPS-Taste auswählen, mit der Wassermenge im Wasserbehälter übereinstimmt. Bitte beachten Sie, dass das Gerät das ganze Wasser im Wasserbehälter verbraucht.
- Verwenden Sie die STRENGTH-Taste, um die Kaffeestärke auf "stark" einzustellen.
- Wenn Sie Kaffeebohnen verwenden, vergewissern Sie sich, dass Sie nicht die Taste für gemahlene Kaffee drücken, da dies das Mahlwerk ausschaltet.
- Verwenden Sie eine stärkere Kaffeearoma mit mehr Aroma.
- Um die Kaffeestärke zu erhöhen, wählen Sie eine höhere Anzahl Tassen mit der 2-10 CUPS-Taste aus, als die Anzahl der Tassen Wasser, die Sie in den Wasserbehälter füllen.

Wenn ich gemahlene Kaffee verwende, ist der Kaffee zu schwach.

- Vergewissern Sie sich, dass die Menge des gemahlene Kaffees im Filter mit der Menge des Wassers im Wasserbehälter übereinstimmt. Bitte beachten Sie, dass das Gerät das ganze Wasser im Wasserbehälter verbraucht.
- Verwenden Sie eine stärkere Sorte gemahlene Kaffee mit mehr Aroma.
- Um die Kaffeestärke zu erhöhen, verwenden Sie mehr gemahlene Kaffee oder weniger Wasser.

Der Filter läuft über; wenn ich die Kanne während des Brühvorgangs aus dem Gerät nehme.

- Wenn Sie die Kanne während des Brühvorgangs für mehr als 20 Sekunden herausnehmen, verursacht die Tropf-Stopp-Funktion ein Überlaufen des Filterkorbs. Der Kaffee entfaltet erst am Ende des Brühvorgangs sein volles Aroma, daher sollten Sie keinen Kaffee entnehmen, bevor der Brühvorgang abgeschlossen ist.

Das Gerät tropft noch eine Weile nach Ablauf des Brühvorgangs.

- Das Tropfen wird durch die Kondensation von Dampf verursacht. Es ist völlig normal, dass das Gerät noch eine Weile tropft.
- Wenn das Tropfen nicht aufhört, ist der Tropf-Stopp möglicherweise verstopft. Um den Tropf-Stopp zu reinigen, drücken Sie die OPEN-Taste auf der rechten Seite des Geräts, um den Filterkorbhalter zu öffnen. Nehmen Sie den Filterkorb heraus. Spülen Sie dann den Filterkorb und den Tropf-Stopp unter fließendem Wasser aus.
- Wenn Sie die Kanne während des Brühvorgangs für länger als 20 Sekunden herausnehmen, verursacht die Tropf-Stopp-Funktion ein Überlaufen des Filterkorbs.

Der Kaffee ist nicht heiß genug.

- Vergewissern Sie sich, dass die Kanne richtig auf der Warmhalteplatte steht.
- Vergewissern Sie sich, dass die Warmhalteplatte und der Boden der Kanne sauber sind.
- Verwenden Sie dünnwandige Tassen, da diese dem Kaffee weniger Wärme entziehen als dickwandige Tassen.
- Benutzen Sie keine Milch, die direkt aus dem Kühlschrank kommt.
- Entkalken Sie den Wasserbehälter. Weitere Informationen finden Sie im Kapitel "Reinigung und Pflege", Abschnitt "Entkalken".

1 Εισαγωγή

Συγχαρητήρια για την αγορά σας και καλώς ήρθατε στη Philips! Για να επωφεληθείτε πλήρως από την υποστήριξη που παρέχει η Philips, δηλώστε το προϊόν σας στην ιστοσελίδα www.philips.com/welcome.

2 Γενική περιγραφή (Εικ. 1)

- 1 Καλάθι φίλτρου
- 2 Διακοπή σταξίματος
- 3 Ασφάλιση διόδου κόκκων καφέ
- 4 Διακόπτης επιλογής άλεσης
- 5 Οθόνη
- 6 Κουμπί STRENGTH
- 7 Κουμπί 2-10 CUPS
- 8 Βάση καλαθιού φίλτρου
- 9 Καπάκι κανάτας
- 10 Γυάλινη κανάτα
- 11 Θερμαινόμενη πλάκα
- 12 Οπή υπερχειλίσης
- 13 Δοχείο νερού με παράθυρο ορατότητας στάθμης νερού
- 14 Κουμπί OPEN για το στήριγμα καλαθιού φίλτρου
- 15 Κουμπί ενεργοποίησης/απενεργοποίησης, έναρξης/αναμονής
- 16 Κουμπί αλεσμένου καφέ
- 17 Διέξοδος ατμού
- 18 Καπάκι διόδου κόκκων καφέ
- 19 Καπάκι δοχείου νερού
- 20 Δοχείο κόκκων καφέ
- 21 Καπάκι δοχείου κόκκων καφέ
- 22 Βουρτσάκι καθαρισμού

3 Σημαντικό

Διαβάστε προσεκτικά το παρόν εγχειρίδιο χρήσης προτού χρησιμοποιήσετε τη συσκευή και κρατήστε το για μελλοντική αναφορά.

3.1 Κίνδυνος

- Μην βυθίζετε ποτέ τη συσκευή σε νερό ή σε οποιοδήποτε άλλο υγρό και μην την ξεπλένετε με νερό βρύσης.

3.2 Προειδοποίηση

- Ελέγξτε εάν η τάση που αναγράφεται στο κάτω μέρος της συσκευής αντιστοιχεί στην τοπική τάση ρεύματος προτού συνδέσετε τη συσκευή.
- Αν το καλώδιο υποστεί φθορά, θα πρέπει να αντικατασταθεί από ένα κέντρο επισκευών εξουσιοδοτημένο από τη Philips ή από εξίσου εξειδικευμένα άτομα, προς αποφυγή κινδύνου.
- Αυτή η συσκευή δεν προορίζεται για χρήση από άτομα (συμπεριλαμβανομένων των παιδιών) με περιορισμένες σωματικές, αισθητήριες ή διανοητικές ικανότητες ή από άτομα χωρίς εμπειρία και γνώση, εκτός και εάν την χρησιμοποιούν υπό επίτηρηση ή έχουν λάβει οδηγίες σχετικά με τη χρήση της από άτομο υπεύθυνο για την ασφάλειά τους.
- Τα παιδιά πρέπει να επιβλέπονται, ώστε να μην παίζουν με τη συσκευή.
- Κρατάτε το καλώδιο μακριά από παιδιά. Μην αφήνετε το καλώδιο να κρέμεται από την άκρη του τραπεζιού ή του πάγκου πάνω στον οποίο έχετε τοποθετήσει τη συσκευή.
- Μην αγγίζετε τις λεπίδες άλεσης της συσκευής, ειδικά όταν η συσκευή είναι συνδεδεμένη στην πρίζα.
- Κρατήστε τα υλικά της συσκευασίας (πλαστικές σακούλες, χαρτόνια, κ.λπ.) μακριά από παιδιά, καθώς δεν αποτελούν παιχνίδι.
- Μην αγγίζετε τις ζεστές επιφάνειες της συσκευής κατά τη λειτουργία της.

- Η συσκευή αυτή έχει σχεδιαστεί για την άλεση κόκκων και την παρασκευή καφέ. Να την χρησιμοποιείτε σωστά και προσεκτικά προς αποφυγή εγκαυμάτων από ζεστό νερό και ατμό.
- Μην χρησιμοποιείτε τη συσκευή εάν το φιν, το καλώδιο ή η ίδια η συσκευή έχει υποστεί φθορά.
- Εάν παρουσιαστεί κάποιο πρόβλημα, το οποίο δεν μπορείτε να επιλύσετε με το παρόν εγχειρίδιο χρήσης, επικοινωνήστε με το Κέντρο Εξυπηρέτησης Καταναλωτών στη χώρα σας. Εάν δεν είναι δυνατή η επίλυση του προβλήματος, πηγαίνετε τη συσκευή σε ένα κέντρο σέρβις εξουσιοδοτημένο από τη Philips για έλεγχο και επισκευή. Μην επιχειρήσετε να επισκευάσετε τη συσκευή μόνοι σας, καθώς η εγγύησή σας θα καταστεί άκυρη.
- Όταν αφαιρέσετε τη συσκευή από τη συσκευασία της, βεβαιωθείτε ότι είναι ακέραιη και άφθαρτη. Εάν υπάρχουν αμφιβολίες, μην χρησιμοποιήσετε τη συσκευή και επικοινωνήστε με το Κέντρο Εξυπηρέτησης Καταναλωτών στη χώρα σας.
- Αυτή η συσκευή προορίζεται μόνο για φυσιολογική οικιακή χρήση. Δεν προορίζεται για χρήση σε περιβάλλοντα, όπως κουζίνες προσωπικού σε καταστήματα, γραφειακούς χώρους, φάρμες ή λοιπούς χώρους εργασίας. Επίσης δεν προορίζεται για χρήση από πελάτες σε ξενοδοχεία, μοτέλ, πανδοχεία και λοιπούς οικιστικούς χώρους.

3.3 Προσοχή

- Μην τοποθετείτε τη συσκευή πάνω σε ζεστή επιφάνεια και αποφύγετε την επαφή του καλωδίου με ζεστές επιφάνειες.
- Αποσυνδέστε τη συσκευή από την πρίζα εάν προκύψουν προβλήματα κατά την άλεση ή την παρασκευή καφέ και πριν τον καθαρισμό της.
- Η κανάτα είναι καυτή κατά τη διάρκεια της παρασκευής του καφέ, αλλά και μετά από αυτήν. Κρατάτε πάντα την κανάτα από τη λαβή της.
- Μην χρησιμοποιείτε ποτέ την κανάτα σε φούρνο μικροκυμάτων.
- Μην μετακινείτε τη συσκευή όταν βρίσκεται σε λειτουργία.
- Για να αποθηκεύσετε τη συσκευή, περιμένετε μέχρι να κρυώσει. Η θερμαινόμενη πλάκα και η κανάτα μπορεί να είναι ζεστές.

3.4 Ηλεκτρομαγνητικά πεδία (EMF)

Η συγκεκριμένη συσκευή της Philips συμμορφώνεται με όλα τα πρότυπα που αφορούν τα ηλεκτρομαγνητικά πεδία (EMF). Εάν τη χρησιμοποιείτε σωστά και σύμφωνα με τις οδηγίες αυτού του εγχειριδίου, η συσκευή είναι ασφαλής στη χρήση βάσει των επιστημονικών αποδείξεων που είναι διαθέσιμες μέχρι σήμερα.

4 Πριν την πρώτη χρήση

4.1 Καθαρισμός της συσκευής με νερό

Πρέπει να ξεπλύνετε την καφετιέρα με νερό μία φορά πριν από την πρώτη χρήση.

- 1 Συνδέστε το φιν στην πρίζα.
 - *Το κουμπί έναρξης/αναμονής ανάβει.*
- 2 Πατήστε το κουμπί έναρξης/αναμονής (Εικ. 2).
 - *Η οθόνη φωτίζεται και η συσκευή παράγει έναν ήχο (“μπιπ”).*

☹ Σημείωση:

Εάν δεν πατήσετε κανένα κουμπί εντός 5 λεπτών, η συσκευή μεταβαίνει σε κατάσταση αναμονής. Στην περίπτωση αυτή, η θόνη απενεργοποιείται και παραμένει αναμμένο μόνο το κουμπί έναρξης/αναμονής, υποδεικνύοντας ότι η συσκευή εξακολουθεί να είναι ενεργοποιημένη. Στην κατάσταση αναμονής, μπορείτε να πατήσετε οποιοδήποτε κουμπί για να επανενεργοποιήσετε τη συσκευή.

- 3 Ανοίξτε το καπάκι του δοχείου νερού. Γεμίστε το δοχείο νερού με φρέσκο, κρύο νερό **έως την ένδειξη για 10 φλιτζάνια (Εικ. 3)**.

☹ Σημείωση:

Μην τοποθετήσετε κόκκους καφέ ή αλεσμένο καφέ στη συσκευή.

- 4 Κλείστε το καπάκι δοχείου νερού.
- 5 Τοποθετήστε την κανάτα στη θερμαινόμενη πλάκα (Εικ. 4).

☹ Σημείωση:

Βεβαιωθείτε ότι το καπάκι είναι πάνω στην κανάτα, καθώς και ότι η κανάτα έχει τοποθετηθεί σωστά πάνω στη θερμαντική πλάκα. Το στόμιο της κανάτας πρέπει να είναι στραμμένο προς τα εμπρός στη συσκευή. Εάν το καπάκι δεν είναι πάνω στην κανάτα ή η κανάτα δεν έχει τοποθετηθεί σωστά, ενεργοποιείται αυτόματα η λειτουργία προστασίας σταξίματος (βλ. κεφάλαιο "Χρήση της συσκευής", ενότητα "Λειτουργία προστασίας σταξίματος").

- 6 Πατήστε το κουμπί έναρξης/αναμονής (Εικ. 5).
 - *Η συσκευή παράγει ένα ηχητικό σήμα και εμφανίζεται η ένδειξη φρεσκάδας στην οθόνη.*
- 7 Πατήστε το κουμπί αλεσμένου καφέ για να απενεργοποιήσετε το μύλο (Εικ. 6).
 - *Το κουμπί ανάβει όταν το πατάτε.*

☹ Σημείωση:

Όταν απενεργοποιείτε το μύλο, ο αριθμός φλιτζανιών και η ρύθμιση γεύσης καφέ δεν εμφανίζονται στην οθόνη.

- 8 Πατήστε το κουμπί έναρξης/αναμονής για να ξεκινήσετε τη διαδικασία παρασκευής (Εικ. 7).
- 9 Αφήστε τη συσκευή να λειτουργήσει μέχρι όλο το νερό να καταλήξει στην κανάτα.
 - *Η καφετιέρα παράγει 5 ηχητικά σήματα (μπιπ) μόλις ολοκληρωθεί η διαδικασία παρασκευής.*
- 10 Πατήστε το κουμπί έναρξης/αναμονής για να διακόψετε τη διαδικασία παρασκευής/διατήρησης θερμοκρασίας. (Εικ. 5)
- 11 Αδειάστε την κανάτα.

5 Χρήση της συσκευής

5.1 Πλήρωση της δεξαμενής νερού

- 1 Ανοίξτε το καπάκι του δοχείου νερού και γεμίστε το δοχείο νερού με την απαιτούμενη ποσότητα κρύου νερού (Εικ. 3). Στο παράθυρο ορατότητας στάθμης νερού και στην κανάτα υπάρχουν ενδείξεις για 2 έως 10 φλιτζάνια (275ml έως 1375ml). Μπορείτε να χρησιμοποιείτε αυτές τις ενδείξεις για να καθορίσετε πόσο νερό θα βάλετε στο δοχείο νερού. Να θυμάστε ότι η ποσότητα του παρασκευασμένου καφέ θα είναι ελαφρώς λιγότερη, καθώς ο αλεσμένος καφές απορροφά νερό.

☼ Συμβουλή:

Χρησιμοποιήστε την κανάτα για να γεμίσετε το δοχείο νερού με την απαιτούμενη ποσότητα.

Σημείωση: (Εικ. 8)

Μη γεμίσετε το δοχείο νερού πάνω από την ένδειξη για 10 φλιτζάνια, καθώς το νερό θα χυθεί από το άνοιγμα στην πίσω πλευρά.

5.2 Χρήση κόκκων καφέ

Προειδοποίηση:

Μην τοποθετείτε κόκκους espresso στο δοχείο κόκκων καφέ. Να χρησιμοποιείτε μόνο κόκκους κανονικού καφέ.

Προειδοποίηση:

Διατηρείτε πάντοτε κλειστό το καπάκι του δοχείου νερού όταν γεμίζετε το δοχείο κόκκων καφέ με κόκκους καφέ. Διαφορετικά, μπορεί να πέσουν κόκκοι καφέ μέσα στο δοχείο νερού και να φράξουν το άνοιγμα εισόδου του νερού.

- 1** Πατήστε το κουμπί OPEN στη δεξιά πλευρά της συσκευής για να ανοίξετε το στήριγμα του καλαθιού φίλτρου. (Εικ. 9)
- 2** Τοποθετήστε ένα χάρτινο φίλτρο (No. 4) στο καλάθι του φίλτρου για να συλλέξετε τον αλεσμένο καφέ. (Εικ. 10)
- 3** Αφαιρέστε το καπάκι δοχείου κόκκων καφέ (1) και γεμίστε το δοχείο με κόκκους καφέ (2). Βεβαιωθείτε ότι υπάρχουν αρκετοί κόκκοι καφέ στο δοχείο για την ποσότητα καφέ που θέλετε να παρασκευάσετε (Εικ. 11).

Σημείωση:

Να βεβαιώνεστε πάντα ότι το δοχείο κόκκων είναι γεμάτο τουλάχιστον μέχρι τη μέση.

Προειδοποίηση:

Η μέγιστη χωρητικότητα του δοχείου κόκκων καφέ είναι 250g. Για να μην μπλοκάρει ο μύλος, μην βάζετε μεγαλύτερη ποσότητα.

Προειδοποίηση:

Για να μην μπλοκάρει ο μύλος, μην χρησιμοποιείτε ακαβούρδιστους ή καραμελωμένους κόκκους.

- 4** Γυρίστε το διακόπτη επιλογής άλεσης για να επιλέξετε τον επιθυμητό τύπο άλεσης: από μικρούς έως μεγάλους κόκκους. Υπάρχουν εννέα ρυθμίσεις άλεσης (Εικ. 12).

Συμβουλή:

Σας συνιστούμε να πειραματιστείτε με τις διάφορες ρυθμίσεις άλεσης, ώστε να βρείτε εκείνη που προτιμάτε.

- 5** Για να επιλέξετε τον αριθμό φλιτζανιών, πατήστε το κουμπί 2-10 CUPS τόσες φορές όσες και ο επιθυμητός αριθμός φλιτζανιών (Εικ. 13).
 - *Το κουμπί 2-10 CUPS ανάβει όταν το πατάτε.*
 - *Ο επιλεγμένος αριθμός φλιτζανιών εμφανίζεται στην οθόνη.*

Σημείωση:

Η συσκευή χρησιμοποιεί όλο το νερό που υπάρχει στη δεξαμενή νερού. Βεβαιωθείτε ότι ο αριθμός φλιτζανιών που επιλέγετε με το κουμπί 2-10 CUPS αντιστοιχεί στην ποσότητα νερού που έχετε βάλει στο δοχείο νερού. Εάν επιλέξετε αριθμό φλιτζανιών μικρότερο από την ποσότητα του νερού, ο καφές γίνεται λιγότερο δυνατός απ' όσο σκοπεύατε.

- 6** Πατήστε το κουμπί STRENGTH μία ή αρκετές φορές μέχρι να επιλεγεί η επιθυμητή γεύση καφέ (ελαφρύς, μέτριος ή δυνατός) (Εικ. 14).
 - *Το κουμπί STRENGTH ανάβει όταν το πατάτε.*
 - *Στην οθόνη εμφανίζεται η επιλεγμένη γεύση καφέ.*
- 7** Πατήστε το κουμπί έναρξης/αναμονής για να ξεκινήσετε τη διαδικασία παρασκευής (Εικ. 15).

Προειδοποίηση:

Μείνετε μακριά από τη διαφυγή ατμού κατά την παρασκευή καφέ, καθώς ο καυτός ατμός διαφεύγει μέσω αυτής.

- *Ο μύλος αλέθει την απαιτούμενη ποσότητα κόκκων καφέ.*

- Η ένδειξη φρεσκάδας αναβοσβήνει γρήγορα στην οθόνη μέχρι να ολοκληρωθεί η διαδικασία παρασκευής (Εικ. 16).
- Όταν ολοκληρωθεί η διαδικασία παρασκευής, η καφετιέρα παράγει 5 ηχητικά σήματα.
- Η θερμαινόμενη πλάκα ενεργοποιείται αυτόματα.

Προειδοποίηση:

Μην αγγίζετε τη θερμαινόμενη πλάκα ενώ είναι αναμμένη, καθώς ζεσταίνεται πολύ.

- 8 Περιμένετε μέχρι η καφετιέρα να σταματήσει να παράγει ηχητικά σήματα προτού αφαιρέσετε την κανάτα από τη θερμαινόμενη πλάκα.

Σημείωση:

Μετά από την παρασκευή καφέ, ο καφές στάζει από το καλάθι φίλτρου για αρκετά δευτερόλεπτα.

- Η ένδειξη φρεσκάδας αναβοσβήνει αργά στην οθόνη για 120 λεπτά μετά την παρασκευή καφέ, υποδεικνύοντας ότι ο καφές είναι φρέσκος.
- 9 Εάν δεν είναι απαραίτητο η θερμαινόμενη πλάκα να διατηρεί τον καφέ καυτό, πατήστε το κουμπί έναρξης/αναμονής για να θέσετε τη συσκευή σε κατάσταση αναμονής (Εικ. 17).
 - Η συσκευή παράγει ένα παρατεταμένο ηχητικό σήμα και το κουμπί έναρξης/αναμονής παραμένει αναμμένο, υποδεικνύοντας ότι η συσκευή εξακολουθεί να είναι ενεργοποιημένη.

Σημείωση:

Αν δεν πατήσετε το κουμπί έναρξης/αναμονής για να θέσετε τη συσκευή σε κατάσταση αναμονής, η συσκευή θα μεταβεί αυτόματα σε κατάσταση αναμονής μετά από 120 λεπτά. Το κουμπί έναρξης/αναμονής παραμένει αναμμένο, υποδεικνύοντας ότι η συσκευή παραμένει ενεργοποιημένη.

Σημείωση:

Μπορείτε να πατήσετε οποιοδήποτε κουμπί για να ενεργοποιήσετε τη συσκευή και να παρασκευάσετε και πάλι καφέ.

5.3 Χρήση αλεσμένου καφέ

Εάν επιθυμείτε να χρησιμοποιήσετε αλεσμένο καφέ και όχι κόκκους καφέ, ακολουθήστε τα παρακάτω βήματα.

- 1 Γεμίστε το δοχείο νερού με νερό, όπως περιγράφεται στην παράγραφο “Πλήρωση του δοχείου νερού”.
- 2 Πατήστε το κουμπί OPEN στη δεξιά πλευρά της συσκευής για να ανοίξετε το στήριγμα του καλαθιού φίλτρου. (Εικ. 9)
- 3 Τοποθετήστε ένα χάρτινο φίλτρο (No. 4) στο καλάθι του φίλτρου. (Εικ. 18)
- 4 Πατήστε το κουμπί αλεσμένου καφέ για να απενεργοποιήσετε το μύλο (Εικ. 6).
 - Το κουμπί ανάβει όταν το πατάτε.

Σημείωση:

Όταν απενεργοποιείτε το μύλο, ο αριθμός φλιτζανιών και η ρύθμιση γεύσης καφέ δεν εμφανίζονται στην οθόνη.

- 5 Τοποθετήστε αλεσμένο καφέ στο χάρτινο φίλτρο ή στο μόνιμο φίλτρο.

Σημείωση:

Η ποσότητα αλεσμένου καφέ που χρησιμοποιείτε εξαρτάται από το τι σας αρέσει. Για μέτριο-δυνατό καφέ, χρησιμοποιήστε ένα κουτάλι μέτρησης (περίπου 6 γρ.) για κάθε φλιτζάνι (125 ml).

- 6 Κλείστε το στήριγμα καλαθιού φίλτρου και τοποθετήστε την κανάτα στη θερμαινόμενη πλάκα.
- 7 Ακολουθήστε τα βήματα 7, 8 και 9 της παραγράφου “Χρήση κόκκων καφέ”.

5.4 Λειτουργία προστασίας σταξίματος (Drip stop)

Η λειτουργία προστασίας σταξίματος (Drip stop) σάς επιτρέπει να αφαιρέσετε την κανάτα από την καφετιέρα προτού ολοκληρωθεί η διαδικασία παρασκευής. Όταν αφαιρείτε την κανάτα, η λειτουργία προστασίας σταξίματος (Drip stop) σταματά τη ροή του καφέ στην κανάτα.

Σημείωση:

Η διαδικασία παρασκευής δεν σταματά όταν αφαιρείτε την κανάτα. Εάν δεν τοποθετήσετε την κανάτα πίσω στη θερμαινόμενη πλάκα μέσα σε 20 δευτερόλεπτα, το καλάθι φίλτρου υπερχειλίζει.

6 Καθαρισμός και συντήρηση

6.1 Καθαρισμός μετά από κάθε χρήση

Προειδοποίηση:

Μην βυθίζετε ποτέ τη συσκευή σε νερό ή σε οποιοδήποτε άλλο υγρό και μην την ξεπλένετε με νερό βρύσης.

- 1 Αποσυνδέστε το φινς από την πρίζα.
- 2 Καθαρίστε το εξωτερικό μέρος της καφετιέρας και τη θερμαινόμενη πλάκα με ένα υγρό πανί.
- 3 Καθαρίστε το καλάθι του φίλτρου και τη γυάλινη κανάτα είτε με ζεστό νερό και λίγο υγρό απορρυπαντικό είτε στο πλυντήριο πιάτων.

6.2 Καθαρισμός του καπακιού διόδου κόκκων καφέ

Πρέπει να καθαρίζετε τη δίοδο κόκκων καφέ κάθε 1 - 2 εβδομάδες, ανάλογα με τη συχνότητα χρήσης.

- 1 Συνδέστε το φινς στην πρίζα.
- 2 Πατήστε το κουμπί έναρξης/αναμονής (Εικ. 2).
 - Το κουμπί έναρξης/αναμονής ανάβει και η οθόνη φωτίζεται.
- 3 Πατήστε το κουμπί έναρξης/αναμονής και στη συνέχεια αφαιρέστε το φινς από την πρίζα.
- 4 Εισαγάγετε το επίπεδο άκρο της λαβής από το βουρτσάκι καθαρισμού στην ασφάλιση διόδου και γυρίστε την ασφάλιση στην 'ανοικτή' θέση. (Εικ. 19)
- 5 Ανοίξτε το καπάκι της διόδου κόκκων καφέ (Εικ. 20).
- 6 Χρησιμοποιήστε το βουρτσάκι καθαρισμού για να καθαρίσετε τα υπολείμματα αλεσμένου καφέ στο κάτω μέρος της διόδου (Εικ. 21).

Συμβουλή:

Τοποθετήστε ένα χάρτινο φίλτρο στο καλάθι του φίλτρου για να συλλέξετε τον αλεσμένο καφέ.

- Τα υπολείμματα αλεσμένου καφέ πέφτουν μέσα στο καλάθι φίλτρου.
- 7 Κλείστε το καπάκι της διόδου κόκκων καφέ και γυρίστε την ασφάλιση στη θέση 'κλειδωματος' (Εικ. 22).
 - 8 Αφαιρέστε το χάρτινο φίλτρο με τα υπολείμματα αλεσμένου καφέ και πετάξτε το.

6.3 Αφαίρεση αλάτων από την καφετιέρα

Όταν εμφανίζεται το μήνυμα "CALC" στην οθόνη (μετά από περίπου 60 διαδικασίες παρασκευής), πρέπει να αφαιρέσετε τα άλατα από την καφετιέρα, καθώς ενδέχεται να τη φράξουν. Ο τακτικός καθαρισμός των αλάτων παρατείνει τη διάρκεια ζωής της συσκευής, ενώ εγγυάται άριστα αποτελέσματα και συνεπή χρόνο παρασκευής καφέ για μεγάλο διάστημα. Αφαιρέστε τα άλατα ως εξής:

- ανά 120 κύκλους παρασκευής, εάν χρησιμοποιείτε μαλακό νερό (έως και 18dH).
- ανά 60 κύκλους παρασκευής, εάν χρησιμοποιείτε σκληρό νερό (πάνω από 18dH).

Για πληροφορίες σχετικά με την σκληρότητα του νερού της περιοχής σας, απευθυνθείτε στην τοπική υπηρεσία ύδρευσης.

Σημείωση:

Εάν δεν γνωρίζετε τη σκληρότητα του νερού της περιοχής σας και δεν είστε σε θέση να επικοινωνήσετε με την τοπική υπηρεσία ύδρευσης, συνιστούμε να αφαιρείτε τα άλατα κάθε φορά που εμφανίζεται στην οθόνη το μήνυμα "CALC".

Σημείωση:

Για να σβήσετε το μήνυμα "CALC" από την οθόνη, πατήστε ταυτόχρονα το κουμπί 2-10 CUPS και το κουμπί STRENGTH.

- 1** Ανοίξτε το καπάκι δοχείου νερού.
- 2** Γεμίστε το δοχείο νερού με 7 φλιτζάνια λευκό ζύδι (οξικό οξύ 4%) και 3 φλιτζάνια νερό (Εικ. 23).
- 3** Τοποθετήστε ένα χάρτινο φίλτρο (αρ. 4) στο καλάθι φίλτρου και κλείστε το στήριγμα καλαθιού φίλτρου.
- 4** Τοποθετήστε την άδεια κανάτα στη θερμαινόμενη πλάκα (Εικ. 4).
- 5** Συνδέστε το φινς στην πρίζα.
- 6** Πατήστε το κουμπί έναρξης/αναμονής.
- 7** Πατήστε το κουμπί αλεσμένου καφέ για να απενεργοποιήσετε το μύλο. Στη συνέχεια, πατήστε το κουμπί έναρξης/αναμονής για να ξεκινήσετε τη διαδικασία παρασκευής.
- 8** Περιμένετε μέχρι το μισό διάλυμα ζυδιού-νερού να εισέλθει στην κανάτα. Κατόπιν, πατήστε το κουμπί έναρξης/αναμονής για να σταματήσετε τη διαδικασία παρασκευής και αφήστε το διάλυμα να ενεργήσει για τουλάχιστον 15 λεπτά.

- 9** Πατήστε το κουμπί έναρξης/αναμονής για να ενεργοποιήσετε πάλι την καφετιέρα και περιμένετε μέχρι να εισέλθει και το υπόλοιπο διάλυμα στην κανάτα. Στη συνέχεια, πατήστε το κουμπί έναρξης/αναμονής για να θέσετε την καφετιέρα σε κατάσταση αναμονής.
- 10** Αδειάστε την κανάτα και πετάξτε το χάρτινο φίλτρο.
- 11** Γεμίστε το δοχείο νερού με κρύο νερό και πατήστε το κουμπί έναρξης/αναμονής για να ξεκινήσετε μια νέα διαδικασία παρασκευής. Αφήστε την καφετιέρα να ολοκληρώσει την πλήρη διαδικασία παρασκευής και αδειάστε την κανάτα.
- 12** Επαναλάβετε το βήμα 12 ώσπου το νερό να μην έχει πλέον γεύση ή οσμή ζυδιού.
- 13** Καθαρίστε το καλάθι φίλτρου και την κανάτα με ζεστό νερό και λίγο υγρό απορρυπαντικό.

7 Παραγγελία εξαρτημάτων

Για να αγοράσετε εξαρτήματα ή ανταλλακτικά, επισκεφτείτε τη διεύθυνση www.shop.philips.com/service ή απευθυνθείτε στον αντιπρόσωπο της Philips στην περιοχή σας. Μπορείτε επίσης να επικοινωνήσετε με το Κέντρο Εξυπηρέτησης Καταναλωτών της Philips στη χώρα σας (θα βρείτε τα στοιχεία επικοινωνίας στο φυλλάδιο της διεθνούς εγγύησης).

8 Περιβάλλον

- Στο τέλος της ζωής της συσκευής μην την πετάξετε μαζί με τα συνηθισμένα οικιακά σας απορρίμματα, αλλά παραδώστε την σε ένα επίσημο σημείο συλλογής για ανακύκλωση. Με αυτόν τον τρόπο θα συμβάλετε στην προστασία του περιβάλλοντος (Εικ. 24).

9 Εγγύηση και υποστήριξη

Αν χρειάζεστε πληροφορίες ή υποστήριξη, επισκεφτείτε τη διεύθυνση www.philips.com/support ή διαβάστε το ξεχωριστό φυλλάδιο της διεθνούς εγγύησης.

10 Αντιμετώπιση προβλημάτων

Αυτό το κεφάλαιο συνοψίζει τα πιο συνηθισμένα προβλήματα που μπορεί να αντιμετωπίσετε με τη συσκευή. Αν δεν μπορέσετε να λύσετε το πρόβλημα με τις παρακάτω πληροφορίες, ανατρέξτε στη λίστα συχνών ερωτήσεων στη διεύθυνση www.philips.com/support ή επικοινωνήστε με το Κέντρο Εξυπηρέτησης Καταναλωτών στη χώρα σας.

Η συσκευή δεν λειτουργεί.

- Βεβαιωθείτε ότι η τάση που αναγράφεται στη συσκευή αντιστοιχεί στην τοπική τάση ρεύματος.
- Γεμίστε το δοχείο νερού με νερό.

Όταν χρησιμοποιώ το μύλο, ο καφές είναι πολύ ελαφρύς.

- Βεβαιωθείτε ότι ο αριθμός φλιτζανιών που επιλέγετε με το κουμπί 2-10 CUPS είναι αντίστοιχος με την ποσότητα νερού στο δοχείο νερού. Να θυμάστε ότι η συσκευή χρησιμοποιεί όλο το νερό που υπάρχει στο δοχείο νερού.
- Χρησιμοποιήστε το κουμπί STRENGTH για να ρυθμίσετε τη γεύση του καφέ στο 'strong' (δυνατή).
- Όταν χρησιμοποιείτε κόκκους καφέ, βεβαιωθείτε ότι δεν πατάτε το κουμπί αλεσμένου καφέ, καθώς απενεργοποιείται ο μύλος.
- Χρησιμοποιήστε κόκκους καφέ δυνατότερου μίγματος ή γεύσης.
- Για να ενισχύσετε τη γεύση του καφέ, επιλέξτε με το κουμπί 2-10 CUPS μεγαλύτερο αριθμό φλιτζανιών από τον αριθμό με τον οποίο γεμίσατε το δοχείο νερού.

Όταν χρησιμοποιώ αλεσμένο καφέ, ο καφές είναι πολύ ελαφρύς.

- Βεβαιωθείτε ότι η ποσότητα αλεσμένου καφέ είναι αντίστοιχη με την ποσότητα νερού στο δοχείο νερού. Να θυμάστε ότι η συσκευή χρησιμοποιεί όλο το νερό που υπάρχει στο δοχείο νερού.
- Χρησιμοποιήστε αλεσμένο καφέ δυνατότερου μίγματος ή γεύσης.
- Για να αυξήσετε τη γεύση του καφέ, αυξήστε την ποσότητα αλεσμένου καφέ ή μειώστε την ποσότητα του νερού.

Το φίλτρο υπερχειλίζει όταν απομακρύνω την κανάτα από τη συσκευή, ενώ παρασκευάζεται καφές.

- Εάν αφαιρέσετε την κανάτα για περισσότερα από 20 δευτερόλεπτα κατά τη διάρκεια της διαδικασίας παρασκευής, η λειτουργία προστασίας σταξιματος (drip stop) προκαλεί υπερχειλίση στο καλάθι φίλτρου. Επιπλέον, να θυμάστε ότι ο καφές δεν αποκτά τη γεμάτη γεύση του εάν δεν ολοκληρωθεί η διαδικασία παρασκευής. Επομένως, συνιστούμε να μην αφαιρέσετε την κανάτα και να μην σερβίρετε τον καφέ πριν από την ολοκλήρωση της διαδικασίας παρασκευής.

Η συσκευή συνεχίζει να στάζει για μεγάλο χρονικό διάστημα μετά την ολοκλήρωση του κύκλου παρασκευής.

- Το στάξιμο προκαλείται από συμπύκνωση του ατμού. Είναι απόλυτα φυσιολογικό η συσκευή να στάζει για κάποιο χρονικό διάστημα.
- Εάν η συσκευή δεν σταματήσει να στάζει, ενδέχεται το σύστημα drip stop να έχει φράξει. Για να καθαρίσετε το σύστημα drip stop, πατήστε το κουμπί OPEN στη δεξιά πλευρά της συσκευής για να ανοίξετε τη βάση του καλαθιού φίλτρου. Αφαιρέστε το καλάθι φίλτρου. Ξεπλύνετε το καλάθι φίλτρου και το drip stop κάτω από τη βρύση.
- Εάν αφαιρέσετε την κανάτα για περισσότερα από 20 δευτερόλεπτα κατά τη διάρκεια του κύκλου παρασκευής, η λειτουργία προστασίας σταξιματος (Drip stop) προκαλεί την υπερχειλίση του καλαθιού φίλτρου.

Ο καφές δεν είναι αρκετά ζεστός.

- Βεβαιωθείτε ότι η κανάτα είναι σωστά τοποθετημένη πάνω στη θερμαινόμενη πλάκα.
- Βεβαιωθείτε ότι η θερμαινόμενη πλάκα και ο πάτος της κανάτας είναι καθαρά.
- Χρησιμοποιείτε φλιτζάνια με λεπτά τοιχώματα, επειδή απορροφούν λιγότερη θερμότητα από τον καφέ σε σχέση με τα φλιτζάνια με χοντρά τοιχώματα.
- Μην χρησιμοποιείτε γάλα απευθείας από το ψυγείο.
- Αφαιρέστε τα άλατα από τη συσκευή. Βλ. ενότητα 'Αφαίρεση αλάτων' στο κεφάλαιο 'Καθαρισμός και συντήρηση'.

1 Introducción

Enhorabuena por la compra de este producto y bienvenido a Philips. Para sacar el mayor partido de la asistencia que Philips le ofrece, registre su producto en www.philips.com/welcome.

2 Descripción general (fig. 1)

- 1 Cesta del filtro
- 2 Antigoteo
- 3 Cierre del conducto de granos de café
- 4 Rueda de selección del molinillo
- 5 Pantalla
- 6 Botón de intensidad STRENGTH
- 7 Botón de 2-10 tazas
- 8 Soporte de la cesta del filtro
- 9 Tapa de la jarra
- 10 Jarra de cristal
- 11 Placa caliente
- 12 Orificio de rebosamiento
- 13 Depósito de agua con ventana de nivel de agua
- 14 Botón de apertura OPEN para el soporte de cesta del filtro
- 15 Botón de encendido/apagado, inicio/parada
- 16 Botón de café molido previamente
- 17 Orificio de salida del vapor
- 18 Tapa del conducto de granos de café
- 19 Tapa del depósito de agua
- 20 Contenedor de granos de café
- 21 Tapa del contenedor de granos de café
- 22 Cepillo de limpieza

3 Importante

Antes de usar el aparato, lea atentamente este manual de usuario y consérvelo por si necesitara consultarlo en el futuro.

3.1 Peligro

- No sumerja nunca el aparato en agua u otros líquidos, ni lo enjuague bajo el grifo.

3.2 Advertencia

- Antes de enchufar el aparato, compruebe si el voltaje indicado en la parte inferior del mismo se corresponde con el voltaje de red local.
- Si el cable de alimentación está dañado, debe ser sustituido por Philips o por un centro de servicio autorizado por Philips, con el fin de evitar situaciones de peligro.
- Este aparato no debe ser usado por personas (adultos o niños) con su capacidad física, psíquica o sensorial reducida, ni por quienes no tengan los conocimientos y la experiencia necesarios, a menos que sean supervisados o instruidos acerca del uso del aparato por una persona responsable de su seguridad.
- Asegúrese de que los niños no jueguen con este aparato.
- Mantenga el cable de alimentación fuera del alcance de los niños. No deje que el cable de alimentación cuelgue del borde de la mesa o encimera donde esté colocado el aparato.
- No toque los molidores del aparato, especialmente cuando éste está conectado a la red.
- Mantenga los materiales del embalaje (bolsas de plástico, cartones de protección, etc.) fuera del alcance de los niños, ya que no son un juguete.
- No toque las superficies calientes del aparato cuando éste esté en funcionamiento.
- Este aparato se ha diseñado para moler y preparar café. Utilícelo correctamente y con precaución para evitar quemaduras causadas por el agua caliente y el vapor.

- No utilice el aparato si la clavija, el cable de alimentación o el propio aparato están dañados.
- Si se produce algún problema que no puede resolver con ayuda de este manual del usuario, póngase en contacto con el Servicio de Atención al Cliente de Philips en su país. Si el problema no se puede solucionar, lleve el aparato a un centro de servicio autorizado por Philips para su comprobación y reparación. No intente repararlo usted mismo, de lo contrario, la garantía quedaría anulada.

3.3 Precaución

- No coloque el aparato sobre superficies calientes y evite que el cable entre en contacto con superficies calientes.
- Desenchufe el aparato antes de limpiarlo, así como si se produce algún problema durante el molido o la preparación de café.
- La jarra está caliente durante y después del proceso de preparación de café. Coja siempre la jarra por el asa.
- No utilice nunca la jarra en un horno microondas.
- No mueva el aparato mientras está en funcionamiento.
- Espere hasta que el aparato se haya enfriado antes de guardarlo. La placa caliente y la jarra de café pueden estar calientes.
- Cuando haya desembalado el aparato, asegúrese de que está completo y sin desperfectos. En caso de duda no utilice el aparato; póngase en contacto con el Servicio de Atención al Cliente de Philips en su país.
- Este aparato está diseñado sólo para un uso doméstico normal, no para un uso en entornos como las cocinas de los comercios, oficinas, granjas u otros entornos laborales. Tampoco lo deben usar los clientes de hoteles, moteles, hostales en los que se ofrecen desayunos ni clientes de entornos residenciales de otro tipo.

3.4 Campos electromagnéticos (CEM)

Este aparato Philips cumple todos los estándares sobre campos electromagnéticos (CEM). Si se utiliza correctamente y de acuerdo con las instrucciones de este manual, el aparato se puede usar de forma segura según los conocimientos científicos disponibles hoy en día.

4 Antes de utilizarlo por primera vez

4.1 Limpieza del aparato antes de usarlo

Debe limpiar la cafetera una vez antes del primer uso.

- 1 Enchufe la clavija de red a la toma de corriente.
 - *Se ilumina el botón inicio/modo de espera.*
- 2 Pulse el botón de inicio/modo de espera (fig. 2).
 - *La pantalla se ilumina y el aparato emite un pitido.*

Nota:

Si no pulsa ningún botón en un transcurso de 5 minutos, el aparato entra en modo de espera. En este caso, la pantalla se apaga y el botón de inicio/modo de espera permanece iluminado para indicar que el aparato todavía está encendido. En el modo de espera, puede pulsar cualquier botón para reactivar el aparato.

- 3 Abra la tapa del depósito de agua. Llénelo de agua fría **hasta el indicador de 10 tazas (fig. 3).**

Nota:

No coloque granos de café ni café molido en el aparato.

- 4 Cierre la tapa del depósito de agua.
- 5 Coloque la jarra sobre la placa caliente (fig. 4).

Nota:

Asegúrese de que la tapa está colocada en la jarra y de que la garra está colocada en la placa caliente. La boquilla de la jarra debe estar orientada hacia delante en el aparato. Si la tapa no está colocada en la jarra o la jarra no está colocada correctamente, la función antigoteo se activa automáticamente (consulte la sección "Función antigoteo" en el capítulo "Uso del aparato").

- 6** Pulse el botón de inicio/modo de espera (fig. 5).
 - *El aparato emite un pitido y el indicador de recién hecho aparece en la pantalla.*
- 7** Pulse el botón de café molido previamente para apagar el molinillo (fig. 6).
 - *El botón se ilumina cuando lo pulsa.*

Nota:

Cuando apaga el molinillo, el número de tazas y el ajuste de intensidad no se muestran en la pantalla.

- 8** Pulse el botón de inicio/modo de espera para iniciar el proceso de preparación (fig. 7).
- 9** Deje funcionar el aparato hasta que toda el agua haya pasado a la jarra.
 - *La cafetera emite 5 pitidos cuando el proceso de preparación de café acaba.*
- 10** Pulse el botón de inicio/modo de espera para detener el proceso de preparación y de conservación del calor: (fig. 5)
- 11** Vacíe la jarra.

5 Uso del aparato

5.1 Llenado del depósito de agua

- 1** Abra la tapa del depósito de agua y llénelo con la cantidad necesaria de agua fría (fig. 3). Hay indicadores para 2 a 10 tazas (275 ml a 1375 ml) en la ventana de nivel de agua y en la jarra. Puede utilizar estos indicadores para determinar cuánta agua debe poner en el depósito. Tenga presente que la cantidad de café preparado será algo menor porque el café molido absorbe agua.

Consejo:

Utilice la jarra para llenar el depósito de agua con la cantidad necesaria.

Nota: (fig. 8)

No llene el depósito de agua más allá del indicador de 10 tazas o el agua podría derramarse por la abertura posterior.

5.2 Uso de los granos de café

Advertencia:

No ponga granos de café espresso en el contenedor de granos de café. Utilice solo granos de café normal.

Advertencia:

Mantenga siempre la tapa del depósito de agua cerrada cuando llene el contenedor de granos de café con granos de café. De lo contrario los granos de café podrían caerse en el depósito de agua y bloquear la entrada de agua.

- 1** Pulse el botón OPEN del lado derecho del aparato para abrir el soporte de la cesta del filtro. (fig. 9)
- 2** Coloque un filtro de papel (nº 4) en la cesta del filtro para recoger el café molido. (fig. 10)
- 3** Retire la tapa del contenedor de granos de café (1) y llénelo de granos (2). Asegúrese de que hay suficientes para la cantidad de café que desea preparar (fig. 11).

Nota:

Asegúrese siempre de que el contenedor de granos está por lo menos medio lleno.

Advertencia:

La capacidad máxima del contenedor de granos de café es de 250 g. Para evitar que el molinillo se atasque, no exceda esta cantidad.

Advertencia:

Para evitar que el molinillo se atasque, no use granos sin tostar o caramelizados.

- 4** Gire la rueda de selección del molinillo para seleccionar el tipo deseado de molido, de fino a grueso. Hay nueve niveles (fig. 12).

Consejo:

Le aconsejamos que experimente con los distintos ajustes de molido para descubrir el que prefiere.

- 5** Para seleccionar el número de tazas, pulse el botón de 2-10 tazas tantas veces como tazas desee (fig. 13).
- *El botón de 2-10 tazas se ilumina cuando lo pulsa.*
 - *El número seleccionado de tazas aparece en la pantalla.*

Nota:

El aparato utiliza toda el agua del depósito. Asegúrese de que el número de tazas que ha seleccionado con el botón de 2-10 tazas coincide con la cantidad de agua que hay en el depósito. Si selecciona un número de tazas inferior a la cantidad de agua, el café será menos intenso de lo que pretendía.

- 6** Pulse el botón de intensidad STRENGTH una vez o varias veces hasta seleccionar la intensidad de café deseada (suave, medio o intenso) (fig. 14).
- *El botón de intensidad STRENGTH se ilumina cuando lo pulsa.*
 - *La intensidad de café seleccionada aparece en el display.*
- 7** Pulse el botón de inicio/modo de espera para iniciar el proceso de preparación (fig. 15).

Advertencia:

No se acerque al orificio de salida del vapor durante la preparación, ya que saldrá vapor muy caliente.

- *El molinillo muele la cantidad requerida de granos de café.*
- *El indicador de recién hecho parpadea rápidamente en la pantalla hasta que el proceso de preparación de café se termina (fig. 16).*
- *La cafetera emite 5 pitidos cuando el proceso de preparación de café acaba.*
- *La placa caliente se enciende automáticamente.*

Advertencia:

No toque la placa caliente mientras está encendida, se calentará mucho.

- 8** Espere a que la cafetera haya dejado de pitar antes de retirar la jarra de la placa caliente.

Nota:

Después de prepararlo, el café gotea desde la cesta del filtro durante varios segundos.

- *El indicador de recién hecho parpadea lentamente en la pantalla durante 120 minutos después de la preparación, para indicar que el café está recién hecho.*
- 9** Si no necesita que la placa caliente mantenga el café caliente, pulse el botón de inicio/modo de espera para poner el aparato en modo de espera (fig. 17).
- *El aparato emite un pitido largo y el botón de inicio/modo de espera permanece encendido para indicar que el aparato continúa encendido.*

Nota:

Si no pulsa el botón de inicio/modo de espera para poner el aparato en el modo de espera, el aparato pasa al modo de espera automáticamente después de 120 minutos. El botón de inicio/modo de espera permanece iluminado para indicar que el aparato todavía está enchufado a la red.

Nota:

Puede pulsar cualquier botón para activar el aparato y preparar café otra vez.

5.3 Uso de café molido previamente

Si desea usar café molido en vez de granos de café, siga los siguientes pasos.

- 1 Llene el depósito de agua con agua tal y como se describe en la sección “Llenado del depósito de agua”.
- 2 Pulse el botón OPEN del lado derecho del aparato para abrir el soporte de la cesta del filtro. (fig. 9)
- 3 Coloque un filtro de papel (nº 4) en la cesta del filtro. (fig. 18)
- 4 Pulse el botón de café molido previamente para apagar el molinillo (fig. 6).
 - *El botón se ilumina cuando lo pulsa.*

Nota:

Cuando apaga el molinillo, el número de tazas y el ajuste de intensidad no se muestran en la pantalla.

- 5 Coloque café molido previamente en el filtro de papel o en el filtro permanente.

Nota:

La cantidad de café molido depende de las preferencias personales. Para obtener un café de intensidad media-alta, utilice un cacito dosificador (aproximadamente 6 g) por cada taza (125 ml).

- 6 Cierre el soporte de la cesta del filtro y coloque la jarra en la placa caliente.
- 7 Siga los pasos 7, 8 y 9 de la sección “Uso de los granos de café”.

5.4 Función antigoteo

La función antigoteo le permite retirar la jarra de la cafetera antes de que el proceso de preparación de café haya terminado. Cuando retira la jarra, la función antigoteo detiene la salida de café a la jarra.

Nota:

El proceso de preparación de café no para cuando retira la jarra. Si no vuelve a colocar la jarra en la placa caliente en un plazo de 20 segundos, la cesta del filtro rebosará.

6 Limpieza y mantenimiento

6.1 Limpieza después de cada uso

Advertencia:

No sumerja nunca el aparato en agua u otros líquidos, ni lo enjuague bajo el grifo.

- 1 Desenchufe el aparato de la toma de corriente.
- 2 Limpie la parte exterior del aparato y la placa caliente con un paño húmedo.
- 3 Limpie la cesta del filtro y la jarra con agua caliente y algo de detergente líquido o lávelos en el lavavajillas.

6.2 Limpieza del conducto de granos de café

Debe limpiar el conducto de granos de café cada 1 ó 2 semanas, dependiendo de la frecuencia de uso.

- 1 Enchufe la clavija de red a la toma de corriente.
- 2 Pulse el botón de inicio/modo de espera (fig. 2).
 - *El botón de inicio/modo de espera y la pantalla se iluminan.*

- 3 Pulse el botón de inicio/modo de espera y a continuación desenchufe el cable de alimentación de la toma de corriente.
- 4 Inserte el extremo plano del asa del cepillo de limpieza en el cierre del conducto y gire el cierre a la posición "open" (abierto). (fig. 19)
- 5 Abra la tapa del conducto de granos de café (fig. 20).
- 6 Utilice el cepillo de limpieza para limpiar los restos de café molido en la parte inferior del conducto (fig. 21).

Consejo:

Coloque un filtro de papel en la cesta del filtro para recoger el café molido.

- *Los restos de café molido caen en la cesta del filtro.*
- 7 Cierre la tapa del conducto de granos de café y gire el cierre hasta la posición de bloqueo (fig. 22).
 - 8 Quite el filtro de papel con los restos de café molido y tírelo.

6.3 Eliminación de los depósitos de cal de la cafetera

Cuando se muestra el mensaje 'CALC' en la pantalla (después de haber preparado café unas 60 veces), debe eliminar la cal de la cafetera, ya que puede atascarla.

Si elimina los depósitos de cal de forma regular, prolongará la vida del aparato y garantizará resultados óptimos y un tiempo de preparación constante durante mucho tiempo. Elimine los depósitos de cal del aparato:

- Cada 120 ciclos de preparación de café si utiliza agua blanda (hasta 18 dH).
- Cada 60 ciclos de preparación de café si utiliza agua dura (más de 18 dH).

Puede consultar a la compañía suministradora de agua para obtener información acerca de la dureza del agua en su zona.

Nota:

Si desconoce la dureza del agua de su zona y no puede ponerse en contacto con la compañía suministradora de agua, le recomendamos eliminar los depósitos de cal del aparato cada vez que aparezca el mensaje 'CALC' en la pantalla.

Nota:

Para que desaparezca el mensaje 'CALC' de la pantalla, pulse el botón de 2-10 tazas y el botón de intensidad STRENGTH simultáneamente.

- 1 Abra la tapa del depósito de agua.
- 2 Llene el depósito de agua con 7 tazas de vinagre blanco (4% de ácido acético) y 3 tazas de agua (fig. 23).
- 3 Coloque un filtro de papel (nº 4) en la cesta del filtro y cierre el soporte de la cesta del filtro.
- 4 Coloque la jarra vacía sobre la placa caliente (fig. 4).
- 5 Enchufe la clavija de red a la toma de corriente.
- 6 Pulse el botón de inicio/modo de espera.
- 7 Pulse el botón de café molido previamente para apagar el molinillo. Después pulse el botón de encendido/modo de espera para iniciar el proceso de preparación de café.
- 8 Espere hasta que la mitad de la solución de vinagre-agua haya fluido hasta la jarra. A continuación, pulse el botón de encendido/modo de espera para detener el proceso de preparación de café y deje la solución en remojo por lo menos 15 minutos.
- 9 Pulse el botón de encendido/modo de espera para encender de nuevo la cafetera y espere a que el resto de la solución haya fluido hasta la jarra. A continuación, pulse el botón de encendido/modo de espera para poner la cafetera en modo de espera.
- 10 Vacíe la jarra y tire el filtro de papel.
- 11 Llene el depósito de agua con agua fría y pulse el botón de encendido/modo de espera para comenzar otro proceso de preparación de café. Deje que la cafetera complete el proceso de preparación de café y vacíe la jarra.
- 12 Repita el paso 12 hasta que el agua ya no sepa ni huelva a vinagre.
- 13 Limpie la cesta del filtro y la jarra con agua caliente y algo de detergente líquido.

7 Solicitud de accesorios

Para comprar accesorios o piezas de repuesto, visite www.shop.philips.com/service o acuda a su distribuidor de Philips. También puede ponerse en contacto con el Servicio de Atención al Cliente de Philips en su país (consulte el folleto de garantía mundial para encontrar los datos de contacto).

8 Medio ambiente

- Al final de su vida útil, no tire el aparato junto con la basura normal del hogar. Llévelo a un punto de recogida oficial para su reciclado. De esta manera ayudará a conservar el medio ambiente (fig. 24).

9 Garantía y asistencia

Si necesita asistencia o información, visite www.philips.com/supporto lea el folleto de garantía mundial independiente.

10 Guía de resolución de problemas

En este capítulo se resumen los problemas más frecuentes que pueden surgir con el aparato. Si no puede resolver el problema con la siguiente información, visite www.philips.com/support para consultar una lista de preguntas más frecuentes o póngase en contacto con el Servicio de Atención al Cliente en su país.

El aparato no funciona.

- Compruebe que el voltaje indicado en el aparato se corresponde con el voltaje de red local.
- Llene el depósito de agua.

Cuando utilizo el molinillo, el café es demasiado flojo.

- Asegúrese de que el número de tazas que ha seleccionado con el botón de 2-10 tazas coincide con la cantidad de agua del depósito. Tenga presente que el aparato utiliza toda el agua del depósito.
- Utilice el botón de intensidad STRENGTH para seleccionar la intensidad de café "strong" (intenso).
- Cuando utiliza granos de café, asegúrese de que no pulsa el botón de café molido previamente, ya que apaga el molinillo.
- Utilice granos de café de una mezcla o sabor más fuertes.
- Para aumentar la intensidad de café, seleccione con el botón de 2-10 tazas un número mayor de tazas que el número con el que ha rellenado el depósito de agua.

Cuando utilizo café molido previamente, el café es demasiado flojo.

- Asegúrese de que la cantidad de café molido previamente en el filtro coincide con la cantidad de agua del depósito. Tenga presente que el aparato utiliza toda el agua del depósito.
- Utilice café molido de una mezcla o un sabor más intensos.
- Para aumentar la intensidad de café, aumente la cantidad de café molido previamente o disminuya la cantidad de agua.

El café rebosa por el filtro cuando retiro la jarra del aparato mientras se está preparando café.

- Si retira la jarra durante más de 20 segundos durante el proceso de preparación de café, la función antigoteo hará que la cesta del filtro rebosa. Tenga en cuenta también que el café no alcanza la plenitud de su sabor hasta que no acaba el proceso de preparación. Por lo tanto, le aconsejamos no retirar la jarra y servir el café antes de que acabe el proceso de preparación.

El aparato seguirá goteando durante bastante tiempo después de finalizar el proceso de preparación del café.

- El goteo se produce por la condensación del vapor. Es completamente normal que el aparato gotee un rato.
- Si el goteo no cesa, puede que el sistema antigoteo esté obstruido. Para limpiar el sistema antigoteo, pulse el botón OPEN del lado derecho del aparato para abrir el soporte de la cesta del filtro. Saque la cesta del filtro. A continuación, enjuague la cesta del filtro y el sistema antigoteo bajo el grifo.
- Si retira la jarra durante más de 20 segundos durante el proceso de preparación de café, la función antigoteo hará que la cesta del filtro rebosa.

El café no está lo suficientemente caliente.

- Asegúrese de que la jarra está bien colocada en la placa caliente.
- Asegúrese de que la placa caliente y la parte inferior de la jarra están limpias.
- Utilice tazas finas, ya que absorben menos calor que las tazas gruesas.
- No utilice leche directamente del frigorífico.
- Elimine los depósitos de cal del aparato. Consulte la sección "Eliminación de los depósitos de cal" en el capítulo "Limpieza y mantenimiento".

1 Johdanto

Onnittelut ostoksestasi ja tervetuloa Philips-tuotteiden käyttäjäksi! Hyödynnä Philipsin tuki ja rekisteröi tuotteesi osoitteessa

www.philips.com/welcome.

2 Yleiskuvaus (Kuva 1)

- 1 Suodatinkori
- 2 Tippalukko
- 3 Kahvipapukuilun lukko
- 4 Jauhatuksen valintasäädin
- 5 Näyttö
- 6 STRENGTH-painike
- 7 2–10 kupin painike
- 8 Suodatinkorin teline
- 9 Kannun kansi
- 10 Lasikannu
- 11 Lämpölevy
- 12 Valuma-aukko
- 13 Vesisäiliö, jossa on vedenpinnan tason tarkistusikkuna
- 14 Suodatinkorin telineen avauspainike
- 15 Käynnistys-/valmiustilapainike
- 16 Valmiiksi jauhetun kahvin painike
- 17 Höyryaukko
- 18 Kahvipapukuilun kansi
- 19 Vesisäiliön kansi
- 20 Kahvipapusäiliö
- 21 Kahvipapusäiliön kansi
- 22 Puhdistusharja

3 Tärkeää

Lue tämä käyttöopas huolellisesti ennen käyttöä ja säilytä se myöhempiä tarvetta varten.

3.1 Vaara

- Älä upota laitetta veteen tai muuhun nesteeseen. Älä myöskään huuhtele sitä vesihananan alla.
-

3.2 Varoitus

- Tarkista, että laitteen pohjassa oleva jännitemerkintä vastaa paikallista verkkojännitettä, ennen kuin liität laitteen sähköverkkoon.
- Jos virtajohto on vahingoittunut, se on oman turvallisuutesi vuoksi hyvä vaihdattaa Philipsin valtuuttamassa huoltoliikkeessä tai muulla ammattitaitoisella korjaajalla.
- Laitetta ei ole tarkoitettu lasten tai sellaisten henkilöiden käyttöön, joiden fyysinen tai henkinen toimintakyky on rajoittunut tai joilla ei ole kokemusta tai tietoa laitteen käytöstä, muuten kuin heidän turvallisuudestaan vastaavan henkilön valvonnassa ja ohjauksessa.
- Pienten lasten ei saa antaa leikkiä laitteella.
- Pidä virtajohto poissa lasten ulottuvilta. Älä jätä virtajohtoa roikkumaan pöydän tai työpöydän reunan yli.
- Älä koske laitteen jauhimiin, kun laite on liitetty pistorasiaan.
- Laitteen pakkausmateriaalit (kuten muovipussit ja pahvipakkaukset) eivät ole leikkikaluja. Pidä ne poissa lasten ulottuvilta.
- Älä koske kuumiin pintoihin laitteen ollessa päällä.
- Laite on tarkoitettu kahvipapujen jauhukseen ja kahvin valmistukseen. Ole varovainen käyttäessäsi laitetta, sillä kuuma vesi ja höyry voivat aiheuttaa palovammoja.
- Älä käytä laitetta, jos pistoke, johto tai itse laite on vaurioitunut.

- Jos et voi ratkaista ongelmatilannetta tämän käyttöohjeen ohjeiden avulla, ota yhteyttä Philipsin kuluttajapalvelukeskukseen. Jos ongelmaa ei voi ratkaista, toimita laite tutkittavaksi tai korjattavaksi Philipsin valtuuttamaan huoltoliikkeeseen. Jos yrität korjata laitetta itse, sen takuu mitätöityy.

3.3 Varoitus

- Älä aseta laitetta kuumalle alustalle ja pidä huoli, ettei virtajohto kosketa mitään kuumaa pintaa.
- Irrota pistoke pistorasiasta ennen laitteen puhdistamista tai jos suodatuksen tai jauhamisen aikana ilmenee ongelmia.
- Kannu on kuuma kahvinkeiton aikana ja sen jälkeen. Pitele kannua aina kahvasta.
- Älä käytä kannua mikroaaltouunissa.
- Älä siirrä laitetta käytön aikana.
- Odota, kunnes laite on jäähtynyt, ennen kuin asetat laitteen säilytykseen. Lämpölevy ja kahvikannu saattavat olla kuumia.
- Kun olet poistanut laitteen pakkauksesta, varmista, että laite on ehjä ja kaikki osat ovat tallella. Jos et ole varma laitteen toiminnasta, älä käytä laitetta, vaan ota yhteyttä Philipsin kuluttajapalvelukeskukseen.
- Tämä laite on tarkoitettu vain tavalliseen kotitalouskäyttöön. Sitä ei ole tarkoitettu käytettäväksi henkilökuntaruokaloissa myymälöissä, toimistoissa, maataloilla tai muissa työympäristöissä. Sitä ei ole myöskään tarkoitettu hotellien tai muiden majoitusliikkeiden vieraiden käyttöön.

3.4 Sähkömagneettiset kentät (EMF)

Tämä Philips-laite vastaa kaikkia, sähkömagneettisia kenttiä (EMF) koskevia standardeja. Jos laitetta käytetään oikein ja tämän käyttöohjeen ohjeiden mukaisesti, sen käyttäminen on turvallista tämänhetkisen tutkimustiedon perusteella.

4 Käyttöönotto

4.1 Laitteen huuhtelu

Huuhtele kahvinkeitin ennen ensimmäistä käyttöä.

- 1 Työnnä pistoke pistorasiaan.
 - *Käynnistys-/valmiustilapainikkeeseen syttyy valo.*
- 2 Paina käynnistys-/valmiustilapainiketta (Kuva 2).
 - *Näytön merkkivalot syttyvät, ja laitteesta kuuluu merkkiäänä.*

Huomautus:

Jos et paina mitään painiketta 5 minuuttiin, laite siirtyy valmiustilaan. Tällöin näyttö sammuu ja vain käynnistys-/valmiustilapainikkeen valo palaa osoittaen, että laitteeseen on edelleen kytketty virta. Voit aktivoida laitteen painamalla valmiustilassa mitä tahansa painiketta.

- 3 Avaa vesisäiliön kansi. Täytä vesisäiliö raikkaalla, kylmällä vedellä **enintään 10 kupin merkkiin asti (Kuva 3).**

Huomautus:

Älä aseta kahvipapuja tai kahvijauhetta laitteeseen.

- 4 Sulje vesisäiliön kansi.
- 5 Aseta kannu lämpölevylle (Kuva 4).

Huomautus:

Varmista, että kannussa on kansi päällä ja kannu on paikallaan lämpölevyllä. Kaatonokan on oltava kohtisuorassa laitteeseen päin. Jos kannussa ei ole kantta tai kannua ei ole asetettu oikein laitteeseen, tippalukko aktivoituu automaattisesti (katso luvun Käyttö kohta Tippalukko toiminto).

- 6 Paina käynnistys-/valmiustilapainiketta (Kuva 5).
 - *Laite antaa äänimerkin ja tuoreuden merkkivalo tulee näyttöön.*
- 7 Sammuta kahvimylly painamalla valmiiksi jauhetun kahvin painiketta (Kuva 6).
 - *Painikkeeseen syttyy valo, kun painat sitä.*

Huomautus:

Kun sammutat kahvimyllyn, kuppien määrä ja vahvuusasetukset eivät näy näytössä.

- 8** Käynnistä suodatus käynnistys-/valmiustilapainikkeella (Kuva 7).
- 9** Anna laitteen käydä, kunnes kaikki vesi on valunut kannuun.
 - *Kahvinkeittimestä kuuluu viisi äänimerkkiä, kun suodatus on valmis.*
- 10** Lopeta suodatus-/lämpimänäpito toiminto painamalla käynnistys-/valmiustilapainiketta. (Kuva 5)
- 11** Tyhjennä kannu.

5 Käyttö

5.1 Vesisäiliön täyttäminen

- 1** Avaa vesisäiliön kansi ja kaada vesisäiliöön tarvittava määrä kylmää vettä (Kuva 3). Laitteen vedenpinnan tason tarkistusikkunassa ja kannussa on merkinnät 2–10 kupille (275–1375 ml). Pystyt arvioimaan vesisäiliöön laitettavan veden määrän käyttämällä näitä merkkejä. Muista, että keitettyä kahvia on hieman vähemmän, sillä kahvijauhe imee vettä.

Vinkki:

Kaada vesisäiliöön kannulla tarpeellinen määrä vettä.

Huomautus: (Kuva 8)

Älä täytä vesisäiliötä 10 kupin merkin yli, sillä vesi voi valua yli takana olevasta aukosta.

5.2 Kahvipapujen käyttö

Varoitus:

Älä laita espressokahvipapuja kahvipapusäiliöön. Käytä ainoastaan tavallisia kahvipapuja.

Varoitus:

Pidä vesisäiliön kansi suljettuna, kun täytät kahvipapusäiliön kahvipapuilla, jotta kahvipavut eivät putoa vesisäiliöön ja tuki vedentäyttöaukkoa.

- 1** Avaa suodatinporin teline painamalla OPEN-painiketta kahvinkeittimen oikealla puolella. (Kuva 9)
- 2** Aseta suodatinpaperi (nro 4) tai kestosuodatin suodatinporiin. (Kuva 10)
- 3** Irrota kahvipapusäiliön kansi (1) ja täytä säiliö kahvipapuilla (2). Varmista, että säiliössä on tarpeeksi kahvipapuja haluamasi kahvimäärän keittämiseen (Kuva 11).

Huomautus:

Varmista aina, että kahvipapusäiliö on ainakin puolillaan.

Varoitus:

Kahvipapusäiliöön mahtuu enintään 250 grammaa kahvipapuja. Älä ylitä tätä määrää, jotta kahvimylly ei jumiuudu.

Varoitus:

Älä käytä paahtamatonta kahvia tai sokeroituja papuja, jotta kahvimylly ei jumiuudu.

- 4** Valitse haluamasi jauhatus kääntämällä jauhatuksen valintasäädintä (hieno–karkea). Laitteessa on yhdeksän jauhatusasetusta (Kuva 12).

Vinkki:

Kokeilemalla eri karkeusasetuksia saat selville, millä asetuksella saat mieleistesi kahvia.

- 5** Valitse kupillisten määrä painamalla 2–10 kupin painiketta niin monta kertaa, että näytössä näkyy haluttu määrä kupillisia (Kuva 13).
 - *2–10 kupin painikkeeseen syttyy valo, kun painat sitä.*
 - *Kuppien määrä ilmestyy näyttöön.*

Huomautus:

Laite käyttää vesisäiliöstä kaiken veden. Varmista, että 2–10 kupin painikkeella valitsemasi kupillisten määrä vastaa vesisäiliöön kaatamaasi veden määrää. Jos valitsemasi kupillisten lukumäärä on pienempi kuin veden määrä, kahvista tulee aiottua laihempaa.

- 6** Paina STRENGTH-painiketta kerran tai useita kertoja, kunnes haluttu kahvin vahvuus on valittuna (mieto, keskivahva tai vahva) (Kuva 14).
- **STRENGTH-painikkeeseen syttyy valo, kun painat sitä.**
 - **Näytössä näkyy valittu kahvin vahvuus.**
- 7** Käynnistä suodatus käynnistys-/valmiustilapainikkeella (Kuva 15).

Varoitus:

Älä mene höyryaukon lähelle suodatuksen aikana, sillä kuumaa höyryä tulee ulos aukon kautta.

- **Kahvimylly jauhaa tarvittavan määrän kahvipapuja.**
- **Tuoreuden merkkivalo vilkkuu nopeasti näytössä, kunnes suodatus on valmis (Kuva 16).**
- **Kahvinkeitimestä kuuluu viisi äänimerkkiä, kun suodatus on valmis.**
- **Lämpölevy käynnistyy automaattisesti.**

Varoitus:

Älä koske lämpölevyä, kun se on käytössä, sillä levy on kuuma.

- 8** Odota, kunnes kahvinkeitimestä ei enää kuulu äänimerkkejä, ennen kuin siirät kannun pois lämpölevyltä.

Huomautus:

Suodatuksen jälkeen kahvipisaroi ta tippuu suodatinkorista muutamien sekuntien ajan.

- **Tuoreuden merkkivalo vilkkuu hitaasti näytössä 120 minuutin ajan suodatuksen jälkeen. Se ilmaisee, että kahvi on tuoretta.**
- 9** Jos et tarvitse lämpölevyä pitämään kahvia kuumana, aseta laite valmiustilaan painamalla käynnistys-/valmiustilapainiketta (Kuva 17).

- **Laite antaa pitkän merkkiäänän ja käynnistys-/valmiustilapainikkeen valo palaa osittain, että laitteeseen on edelleen kytketty virta.**

Huomautus:

Jos et aseta laitetta valmiustilaan painamalla käynnistys-/valmiustilapainiketta, se menee automaattisesti valmiustilaan 120 minuutin kuluttua. Käynnistys-/valmiustilapainikkeen valo palaa edelleen, koska laitteen virta on edelleen kytketty.

Huomautus:

Painamalla mitä tahansa painiketta voit aktivoida laitteen ja valmistaa jälleen kahvia.

5.3 Valmiiksi jauhetun kahvin käyttö

Jos haluat käyttää valmista kahvijauhetta kahvipapujen sijasta, noudata seuraavia ohjeita.

- 1** Täytä vesisäiliö vedellä, kohdassa Vesisäiliön täyttäminen kuvatulla tavalla.
- 2** Avaa suodatinkorin teline painamalla OPEN-painiketta kahvinkeitimen oikealla puolella. (Kuva 9)
- 3** Aseta suodatinpaperi (nro 4) suodatinkoriin. (Kuva 18)
- 4** Sammuta kahvimylly painamalla valmiiksi jauhetun kahvin painiketta (Kuva 6).
 - **Painikkeeseen syttyy valo, kun painat sitä.**

Huomautus:

Kun sammutat kahvimyllyn, kuppien määrä ja vahvuusasetukset eivät näy näytössä.

- 5** Pane kahvijauhetta suodatinpaperiin tai kesto-suodattimeen.

Huomautus:

Käytettävän kahvijauheen määrä on makuasia. Kupilliseen (125 ml) keskivahvaa kahvia voi käyttää yhden mittalusikallisen (noin 6 g) kahvijauhetta.

- 6** Sulje suodatinkorin teline ja aseta kannu lämpölevylle.
- 7** Noudata vaiheita 7, 8 ja 9 kohdassa Kahvipapujen käyttö.

5.4 Tippalukkotoiminto

Tippalukon ansiosta voit ottaa kannun kahvinkeittimestä ennen kuin kahvi on suodatettu kokonaan. Kun otat kannun, tippalukko estää kahvia valumasta.

Huomautus:

Suodatus ei keskeydy, kun otat kannun pois. Jos et aseta kannua takaisin lämpölevylle 20 sekunnin kuluessa, kahvi valuu suodatinkorista yli.

6 Puhdistus ja hoito

6.1 Laitteen puhdistus jokaisen käytön jälkeen

Varoitus:

Älä upota laitetta veteen tai muuhun nesteeseen. Älä myöskään huuhtele sitä vesihanalla.

- 1 Irrota pistoke pistorasiasta.
- 2 Pyyhi kahvinkeittimen ulkopuoli ja lämpölevy kostealla liinalla.
- 3 Pese suodatinkori ja lasikannu kuumalla astianpesuvedellä tai astianpesukoneessa.

6.2 Kahvipapukuilun puhdistus

Kahvipapukuilu on puhdistettava joka viikko tai joka toinen viikko sen mukaan, kuinka usein laitetta käytetään.

- 1 Työnnä pistoke pistorasiaan.
- 2 Paina käynnistys-/valmiustilapainiketta (Kuva 2).
 - *Käynnistys-/valmiustilapainikkeen ja näytön valo syttyvät.*
- 3 Paina käynnistys-/valmiustilapainiketta ja irrota pistoke pistorasiasta.
- 4 Aseta puhdistusharjan varren tasainen osa kahvipapukuilun lukkoon ja kierrä lukko auki-asentoon. (Kuva 19)
- 5 Avaa kahvipapukuilun kansi (Kuva 20).
- 6 Harjaa kahvijauheen jäämät kuilun alaosaan puhdistusharjalla (Kuva 21).

Vinkki:

Aseta suodatinpaperi suodatinkoriin ja kerää kahvijauheen jäämät sinne.

- *Kahvijauheen jäämät putoavat suodatinkoriin.*

7 Sulje kahvipapukuilun kansi ja kierrä lukko kiinni-asentoon (Kuva 22).

8 Poista suodatinpaperi, jossa on kahvijauheen jäämät, ja heitä se pois.

6.3 Kalkinpoisto kahvinkeittimestä

Kun ilmoitus CALC näkyy näytössä (noin 60 suodatuskerran jälkeen), poista kalkki kahvinkeittimestä, koska se voi tukkia laitteen. Säännöllinen kalkinpoisto pidentää laitteen käyttöikää ja takaa ihanteelliset tulokset. Poista kalkki laitteesta seuraavasti:

- 120 suodatuksen välein, jos käytät pehmeää vettä (enintään 18 dH).
- 60 suodatuksen välein, jos käytät kovaa vettä (yli 18 dH).

Voit selvittää paikallisen veden kovuuden tarvittaessa vesilaitokselta.

Huomautus:

Jos et tiedä asuinalueesi veden kovuutta, etkä voi ottaa yhteyttä vesilaitokseen, suosittelemme, että poistat kalkin laitteesta aina, kun CALC-ilmoitus tulee näkyviin.

Huomautus:

Poista CALC-ilmoitus näytöstä painamalla 2–10 CUPS -painiketta ja STRENGTH-painiketta samanaikaisesti.

- 1 Avaa vesisäiliön kansi.
- 2 Täytä vesisäiliö 7 kupillisella ruokaetikkaa (4 % etikkaa) ja 3 kupillisella vettä (Kuva 23).
- 3 Aseta suodatinpaperi (nro 4) suodatinkoriin ja sulje suodatinkorin teline.
- 4 Aseta tyhjä kannu lämpölevylle (Kuva 4).
- 5 Työnnä pistoke pistorasiaan.
- 6 Paina käynnistys-/valmiustilapainiketta.
- 7 Sammuta kahvimylly painamalla valmiiksi jauhetun kahvin painiketta. Käynnistä sitten suodatus painamalla käynnistys-/valmiustilapainiketta.

- 8 Odota, kunnes puolet etikka-vesiliuoksesta on valunut kannuun. Lopeta sitten suodatus painamalla käynnistys-/valmiustilapainiketta ja anna liuoksen seistä vähintään 15 minuuttia.
- 9 Käynnistä kahvinkeitin uudestaan painamalla käynnistys-/valmiustilapainiketta ja odota, kunnes loputkin liuoksesta on valunut kannuun. Aseta laite valmiustilaan painamalla käynnistys-/valmiustilapainiketta.
- 10 Tyhjennä kannu ja heitä suodatinpaperi pois.
- 11 Aloita toinen suodatus täyttämällä vesisäiliö kylmällä vedellä ja painamalla käynnistys-/valmiustilapainiketta. Anna kahvinkeitimen suodattaa koko vesimäärä ja tyhjennä sitten kannu.
- 12 Toista vaihetta 12, kunnes vesi ei enää maistu eikä haise etikalle.
- 13 Puhdista suodatinkori ja kannu kuumalla vedellä ja muutamalla tipalla astianpesuainetta.

7 Tarvikkeiden tilaaminen

Voit ostaa lisävarusteita ja varaosia osoitteessa www.shop.philips.com/service tai Philips-jälleenmyyjältä. Voit myös ottaa yhteyden Philipsin kuluttajapalvelukeskukseen (katso yhteystiedot kansainvälisestä takuulehtisestä).

8 Ympäristöasiaa

- Älä hävitä vanhoja laitteita tavallisen talousjätteen mukana, vaan toimita ne valtuutettuun kierrätyspisteeseen. Näin autat vähentämään ympäristölle aiheutuvia haittavaikutuksia (Kuva 24).

9 Takuu ja tuki

Jos haluat tukea tai lisätietoja, käy Philipsin verkkosivuilla osoitteessa www.philips.com/support tai lue erillinen kansainvälinen takuulehtinen.

10 Vianmääritys

Tähän osaan on koottu tavallisimmat laitteen käytössä ilmenevät ongelmat. Ellet löydä ongelmaasi ratkaisua seuraavista tiedoista, lue osoitteesta www.philips.com/support vastauksia usein kysytyihin kysymyksiin tai ota yhteys maasi asiakaspalveluun.

Laite ei toimi.

- Varmista, että laitteen jännitemerkintä vastaa paikallista verkkojännitettä.
- Täytä vesisäiliö vedellä.

Kun käytän kahvimyllyä, kahvi on liian mietoa.

- Varmista, että 2–10 kupin painikkeella valitsemiesi kupillisten määrä on sopivassa suhteessa vesisäiliössä olevaan veden määrään. Muista, että laite käyttää kaiken vesisäiliössä olevan veden.
- Aseta kahvin vahvuudeksi vahva käyttämällä STRENGTH-painiketta.
- Käyttäessäsi kahvipapuja varmista, ettet paina valmiiksi jauhetun kahvin painiketta, sillä se kytkee kahvimyllyn pois käytöstä.
- Käytä vahvempia kahvipapuja.
- Lisää kahvin vahvuutta valitsemalla 2–10 kupin painikkeella suurempi kupillisten määrä suhteessa vesisäiliöön laittamiesi kupillisten määrään.

Kun käytän kahvijauhetta, kahvi on liian mietoa.

- Varmista, että kahvijauheen määrä suodattimessa vastaa vesisäiliössä olevan veden määrää. Muista, että laite käyttää kaiken vesisäiliössä olevan veden.
- Käytä vahvempaa kahvijauhetta.
- Lisää kahvin vahvuutta lisäämällä kahvijauheen määrää tai vähentämällä veden määrää.

Kahvi valuu suodattimesta yli, kun kannu poistetaan laitteesta suodatuksen aikana.

- Jos poistat kannun keittimestä yli 20 sekunniksi suodatuksen aikana, tippalukko aiheuttaa sen, että suodatinkori täyttyy ja valuu yli. Huomioi myös, että kahvin täyteläinen maku muodostuu vasta suodatuksen loppuvaiheessa. Siksi kannua ei kannata poistaa ja kahvia kaataa kuppiin, ennen kuin suodatus on valmis.

Laitteesta tippuu kahvia pitkään suodatuksen jälkeen.

- Tippuminen johtuu höyryn tiivistymisestä. On normaalia, että kahvipisarointi tippuu jonkin aikaa.
- Jos tippuminen jatkuu, tippalukko voi olla tukossa. Puhdista tippalukko painamalla laitteen oikealla puolella olevaa OPEN-painiketta, joka avaa suodatinkorin telineen. Irrota suodatinkori. Huuhtelee sitten suodatinkori ja tippalukko juoksevalla vedellä.
- Jos nostat kannun keittimestä yli 20 sekunniksi suodatuksen aikana, tippalukko aiheuttaa sen, että suodatinkori täyttyy ja valuu yli.

Kahvi ei ole tarpeeksi kuumaa.

- Varmista, että kannu on asetettu oikein lämpölevylle.
- Varmista, että lämpölevy ja kannun pohja ovat puhtaita.
- Käytä ohuita kahvikuppeja, jotka haihduttavat kahvista vähemmän lämpöä kuin paksut kupit.
- Älä käytä suoraan jääkaapista otettua maitoa.
- Poista kalkki laitteesta. Katso kohtaa Kalkinpoisto luvussa Puhdistus ja huolto.

1 Introduction

Félicitations pour votre achat et bienvenue dans l'univers Philips ! Pour profiter pleinement de l'assistance Philips, enregistrez votre produit sur le site à l'adresse suivante :

www.philips.com/welcome.

2 Description générale (fig. 1)

- 1 Porte-filtre
- 2 Système stop-goutte
- 3 Verrou du bac à grains
- 4 Bouton de sélection de la mouture
- 5 Afficheur
- 6 Bouton STRENGTH
- 7 Bouton pour 2-10 tasses
- 8 Support pour porte-filtre
- 9 Couvercle de la verseuse
- 10 Verseuse en verre
- 11 Plaque chauffante
- 12 Écoulement du trop-plein
- 13 Réservoir d'eau avec indicateur du niveau d'eau
- 14 Bouton OPEN du support pour porte-filtre
- 15 Bouton marche/arrêt, marche/veille
- 16 Bouton de mouture du café
- 17 Évents à vapeur
- 18 Couvercle du bac à grains
- 19 Couvercle du réservoir d'eau
- 20 Bac à grains
- 21 Couvercle du bac à grains
- 22 Brossette de nettoyage

3 Important

Lisez attentivement ce mode d'emploi avant d'utiliser l'appareil et conservez-le pour un usage ultérieur.

3.1 Danger

- Ne plongez jamais l'appareil dans l'eau, ni dans d'autres liquides et ne le rincez pas sous le robinet.
-

3.2 Avertissement

- Avant de brancher l'appareil, vérifiez que la tension indiquée sur la base correspond à la tension secteur locale.
- Si le cordon d'alimentation est endommagé, il doit être remplacé par Philips, par un Centre Service Agréé Philips ou par un technicien qualifié afin d'éviter tout accident.
- Cet appareil n'est pas destiné à être utilisé par des personnes (notamment des enfants) dont les capacités physiques, sensorielles ou intellectuelles sont réduites, ou par des personnes manquant d'expérience ou de connaissances, à moins que celles-ci ne soient sous surveillance ou qu'elles n'aient reçu des instructions quant à l'utilisation de l'appareil par une personne responsable de leur sécurité.
- Veillez à ce que les enfants ne puissent pas jouer avec l'appareil.
- Maintenez le cordon d'alimentation hors de portée des enfants. Ne le laissez pas dépasser de la table ou du plan de travail sur lequel l'appareil est posé.
- Ne touchez pas aux meules de l'appareil, surtout lorsque ce dernier est branché.
- Les emballages (sacs en plastique, cartons de protection, etc.) ne sont pas des jouets. Tenez-les hors de portée des enfants.
- Ne touchez pas les surfaces chaudes de l'appareil pendant son fonctionnement.
- Cet appareil est conçu pour moulinier des grains de café et préparer du café. Respectez les consignes d'utilisation et manipulez l'appareil avec précaution pour éviter les brûlures dues à l'eau chaude et à la vapeur.

- N'utilisez jamais l'appareil si la prise, le cordon d'alimentation ou l'appareil lui-même est endommagé.
- Si vous ne parvenez pas à résoudre le problème à l'aide de ce manuel d'utilisation, contactez le Service Consommateurs Philips de votre pays. Si le problème persiste, confiez votre appareil à un Centre Service Agréé Philips pour vérification ou réparation. N'essayez jamais de réparer l'appareil vous-même ; toute intervention par des personnes non qualifiées entraîne l'annulation de la garantie.

3.3 Attention

- Ne posez jamais l'appareil sur une surface chaude et veillez à ce que le cordon d'alimentation ne soit pas en contact avec des surfaces chaudes.
- Débranchez toujours l'appareil en cas de problème lors de son fonctionnement et avant de le nettoyer.
- La verseuse devient très chaude pendant et après la préparation du café. Tenez-la toujours par la poignée.
- Ne mettez jamais la verseuse au four à micro-ondes.
- Ne déplacez pas l'appareil en cours d'utilisation.
- Attendez que l'appareil ait refroidi avant de le ranger. La plaque chauffante et la verseuse risquent d'être encore brûlantes.
- Une fois l'appareil déballé, vérifiez qu'il n'est pas endommagé et qu'il ne manque aucune pièce. En cas de doute, n'utilisez pas l'appareil et contactez le Service Consommateurs Philips de votre pays.
- Cet appareil est destiné à un usage domestique normal uniquement. Il n'est pas destiné à être utilisé dans des environnements tels que des cuisines destinées aux employés dans les entreprises, magasins et autres environnements de travail. Il n'est pas non plus destiné à être utilisé par des clients dans des hôtels, motels, chambres d'hôtes et autres environnements résidentiels.

3.4 Champs électromagnétiques (CEM)

Cet appareil Philips est conforme à toutes les normes relatives aux champs électromagnétiques (CEM). Il répond aux règles de sécurité établies sur la base des connaissances scientifiques actuelles s'il est manipulé correctement et conformément aux instructions de ce mode d'emploi.

4 Avant la première utilisation

4.1 Rinçage de l'appareil

Rincez la cafetière avant sa première utilisation.

- 1** Branchez le cordon d'alimentation sur la prise secteur.
 - *Le bouton marche/veille s'allume.*
- 2** Appuyez sur le bouton marche/veille (fig. 2).
 - *L'afficheur s'allume et l'appareil émet un signal sonore.*

Remarque :

Si vous n'appuyez sur aucun bouton dans les 5 minutes, l'appareil passe en mode veille. Dans ce cas, l'afficheur s'éteint et seul le bouton marche/veille reste allumé pour indiquer que l'appareil est toujours allumé. En mode veille, vous pouvez appuyer sur n'importe quel bouton pour réactiver l'appareil.

- 3** Ouvrez le couvercle du réservoir d'eau. Remplissez le réservoir avec de l'eau froide **jusqu'à l'indication 10 tasses** (fig. 3).

Remarque :

Ne mettez pas de grains de café ou de café moulu dans l'appareil.

- 4** Fermez le couvercle du réservoir d'eau.
- 5** Placez la verseuse sur la plaque chauffante (fig. 4).

Remarque :

Assurez-vous que le couvercle a été placé sur la verseuse et que la verseuse a été correctement positionnée sur la plaque chauffante. Le bec verseur de la verseuse doit être orienté vers l'intérieur de l'appareil. Si le couvercle n'a pas été placé sur la verseuse ou si la verseuse n'a pas été correctement positionnée, la fonction stop-goutte est automatiquement activée (voir le chapitre « Utilisation de l'appareil », section « Fonction stop-goutte »).

- 6 Appuyez sur le bouton marche/veille (fig. 5).
 - *L'appareil émet un signal sonore et le voyant de fraîcheur apparaît sur l'afficheur.*
- 7 Appuyez sur le bouton de mouture du café pour désactiver le moulin à café (fig. 6).
 - *Le bouton s'allume lorsque vous appuyez dessus.*

Remarque :

Lorsque le moulin est désactivé, le nombre de tasses et le niveau d'intensité ne s'affichent pas.

- 8 Appuyez sur le bouton marche/veille pour lancer le cycle de préparation (fig. 7).
- 9 Laissez l'appareil fonctionner jusqu'à ce que toute l'eau se soit écoulée dans la verseuse.
 - *La cafetière sonne 5 fois lorsque le cycle de préparation est terminé.*
- 10 Appuyez sur le bouton marche/veille pour arrêter le cycle de préparation/de maintien au chaud. (fig. 5)
- 11 Videz la verseuse.

5 Utilisation de l'appareil

5.1 Remplissage du réservoir

1 Ouvrez le couvercle du réservoir d'eau et remplissez le réservoir avec la quantité d'eau froide requise (fig. 3).

Vous trouverez sur l'indicateur du niveau d'eau ainsi que sur la verseuse des indications de quantité pour préparer entre 2 et 10 tasses (275 ml à 1 375 ml). Vous pouvez les utiliser pour déterminer la quantité d'eau à mettre dans le réservoir. Notez que le café absorbe l'eau une fois moulu ; la quantité de café préparé sera donc légèrement inférieure.

Conseil :

Utilisez la verseuse pour remplir le réservoir d'eau avec la quantité d'eau adéquate.

Remarque : (fig. 8)

Ne remplissez pas le réservoir d'eau au-delà de l'indication 10 tasses car l'eau risquerait de s'écouler à partir de l'orifice situé à l'arrière de l'appareil.

5.2 Utilisation avec des grains de café

Avertissement :

Ne mettez pas de grains de café expresso dans le bac à grains. Utilisez uniquement des grains de café classiques.

Avertissement :

Veillez à ce que le couvercle du réservoir d'eau soit toujours fermé lorsque vous remplissez le bac à grains. Dans le cas contraire, les grains de café risquent de tomber dans le réservoir d'eau et de bloquer l'orifice de remplissage.

1 Appuyez sur le bouton OPEN situé sur le côté droit de l'appareil pour ouvrir le support du porte-filtre. (fig. 9)

- 2** Placez un filtre en papier (n° 4) dans le porte-filtre pour récupérer le café moulu. (fig. 10)
- 3** Enlevez le couvercle du bac à grains (1) et remplissez le bac à grains (2). Assurez-vous de mettre suffisamment de grains de café dans le bac pour préparer la quantité de café souhaitée (fig. 11).

Remarque :

Vérifiez à chaque utilisation que le bac à grains est au moins à moitié rempli.

Avertissement :

La capacité maximale du bac à grains est de 250 g. Ne dépassez pas cette quantité, cela risquerait d'entraver le bon fonctionnement du moulin.

Avertissement :

N'utilisez pas de grains de café caramélisés ou non torréfiés, cela risquerait d'entraver le bon fonctionnement du moulin.

- 4** Tournez le bouton de sélection de la mouture pour choisir le niveau de mouture souhaité (de fine à grosse). L'appareil propose 9 niveaux de mouture (fig. 12).

Conseil :

Nous vous conseillons d'essayer différents niveaux de mouture pour trouver celui que vous préférez.

- 5** Pour sélectionner le nombre de tasses, appuyez sur le bouton pour 2-10 tasses autant de fois que nécessaire (fig. 13).
- *Le bouton pour 2-10 tasses s'allume lorsque vous appuyez dessus.*
 - *Le nombre de tasses que vous avez sélectionné s'affiche.*

Remarque :

L'appareil utilise toute l'eau présente dans le réservoir. Assurez-vous que le nombre de tasses sélectionné à l'aide du bouton pour 2-10 tasses correspond à la quantité d'eau dans le réservoir d'eau. Si vous sélectionnez un nombre de tasses inférieur à la quantité d'eau, le café sera plus doux que prévu.

- 6** Appuyez sur le bouton STRENGTH une ou plusieurs fois pour sélectionner l'intensité de café souhaitée (doux, moyen ou fort) (fig. 14).

- *Le bouton STRENGTH s'allume lorsque vous appuyez dessus.*
- *L'intensité du café sélectionnée apparaît sur l'afficheur.*

- 7** Appuyez sur le bouton marche/veille pour lancer le cycle de préparation (fig. 15).

Avertissement :

Tenez-vous éloigné des événements à vapeur pendant la préparation ; de la vapeur brûlante peut s'en échapper.

- *Le moulin moud la quantité de grains de café correspondante.*
- *Le voyant de fraîcheur clignote rapidement sur l'afficheur tant que le cycle de préparation n'est pas terminé (fig. 16).*
- *La cafetière sonne 5 fois lorsque le cycle de préparation est terminé.*
- *La plaque chauffante s'allume automatiquement.*

Avertissement :

Ne touchez pas la plaque chauffante lorsqu'elle est allumée ; elle peut devenir très chaude.

- 8** Attendez que la cafetière ne sonne plus avant de retirer la verseuse de la plaque chauffante.

Remarque :

Une fois la préparation terminée, le café continue de s'écouler du porte-filtre pendant quelques secondes.

- *Le voyant de fraîcheur clignote lentement pendant 120 minutes après la fin de la préparation ; il indique ainsi que le café est frais.*

- 9** Si vous n'avez pas besoin de la plaque chauffante pour maintenir le café chaud, appuyez sur le bouton marche/veille pour mettre l'appareil en mode veille (fig. 17).
- *L'appareil émet un signal sonore long et le bouton marche/veille reste allumé pour indiquer que l'appareil est toujours allumé.*

Remarque :

Si vous n'appuyez pas sur le bouton marche/veille pour mettre l'appareil en mode veille, l'appareil passe automatiquement en mode veille au bout de 120 minutes. Le bouton marche/veille reste allumé pour indiquer que l'appareil est toujours branché sur le secteur.

Remarque :

Vous pouvez appuyer sur n'importe quel bouton pour réactiver l'appareil et préparer du café.

5.3 Utilisation avec du café moulu

Si vous souhaitez utiliser du café moulu et non des grains de café, suivez les instructions ci-dessous.

- 1 Remplissez le réservoir d'eau avec l'eau, comme décrit dans la section « Remplissage du réservoir ».
- 2 Appuyez sur le bouton OPEN situé sur le côté droit de l'appareil pour ouvrir le support du porte-filtre. (fig. 9)
- 3 Placez un filtre en papier (n° 4) dans le porte-filtre. (fig. 18)
- 4 Appuyez sur le bouton de mouture du café pour désactiver le moulin à café (fig. 6).
 - *Le bouton s'allume lorsque vous appuyez dessus.*

Remarque :

Lorsque le moulin est désactivé, le nombre de tasses et le niveau d'intensité ne s'affichent pas.

- 5 Mettez le café moulu dans le filtre en papier ou le filtre permanent.

Remarque :

La quantité de café moulu nécessaire est une affaire de goût. Pour une tasse de café moyen-fort, mettez l'équivalent d'une cuillère de mesure (environ 6 g) par tasse (125 ml).

- 6 Fermez le support pour porte-filtre et placez la verseuse sur la plaque chauffante.
- 7 Suivez les étapes 7, 8 et 9 de la section « Utilisation avec des grains de café ».

5.4 Fonction stop-goutte

La fonction stop-goutte vous permet de retirer la verseuse de la cafetière avant que le cycle de préparation ne soit fini. Lorsque vous retirez la verseuse, le système stop-goutte empêche le café de s'écouler.

Remarque :

Le cycle de préparation ne s'arrête pas lorsque vous retirez la verseuse. Si vous n'avez pas remis la verseuse sur la plaque chauffante au bout de 20 secondes, le porte-filtre déborde.

6 Nettoyage et entretien

6.1 Nettoyage après chaque utilisation

Avertissement :

Ne plongez jamais l'appareil dans l'eau, ni dans d'autres liquides et ne le rincez pas sous le robinet.

- 1 Retirez le cordon d'alimentation de la prise secteur.
- 2 Essuyez l'extérieur de la cafetière et la plaque chauffante avec un chiffon humide.
- 3 Nettoyez le porte-filtre et la verseuse en verre à l'eau chaude savonneuse ou au lave-vaisselle.

6.2 Nettoyage du bac à grains

Vous devez nettoyer le bac à grains toutes les deux semaines, voire une fois par semaine, en fonction de sa fréquence d'utilisation.

- 1 Branchez le cordon d'alimentation sur la prise secteur.
- 2 Appuyez sur le bouton marche/veille (fig. 2).
 - *Le bouton marche/veille et l'afficheur s'allument.*

- 3 Appuyez sur le bouton marche/veille, puis retirez le cordon d'alimentation de la prise secteur.
- 4 Insérez le côté plat de la brosse de nettoyage dans le verrou du bac et orientez le verrou vers la position « ouvert ». (fig. 19)
- 5 Ouvrez le couvercle du bac à grains (fig. 20).
- 6 Utilisez la brosse de nettoyage pour faire tomber les résidus de café moulu dans la partie basse du bac (fig. 21).

Conseil :

Placez un filtre en papier dans le porte-filtre pour récupérer le café moulu.

- *Les résidus de café moulu tombent dans le porte-filtre.*
- 7 Fermez le couvercle du compartiment pour grains de café et orientez le verrou vers la position « verrouillé » (fig. 22).
 - 8 Enlevez le filtre en papier avec les résidus de café moulu et jetez-le.

6.3 Détartrage de la machine à café

Lorsque le message « CLEAN » (nettoyage) s'affiche (après environ 60 cycles de préparation), vous devez détartrer la cafetière afin d'éviter que le calcaire ne bouche l'unité d'écoulement de la cafetière.

Un détartrage régulier permet de prolonger la durée de vie de votre appareil et garantit des résultats optimaux et un temps de préparation constant jour après jour. Détartrez l'appareil :

- tous les 120 cycles de préparation si vous utilisez de l'eau douce (jusqu'à 18 dH).
- tous les 60 cycles de préparation si vous utilisez de l'eau calcaire (au-delà de 18 dH).

Pour connaître la dureté de l'eau dans votre région, renseignez-vous auprès des services de distribution des eaux de votre commune.

Remarque :

Si vous ne connaissez pas la dureté de l'eau dans votre région et que vous n'êtes pas en mesure de contacter le service de distribution des eaux de votre commune, nous vous recommandons de détartrer votre appareil chaque fois que le message « CALC » apparaît sur l'afficheur.

Remarque :

Pour faire disparaître le message « CALC » de l'afficheur, appuyez simultanément sur les boutons 2-10 CUPS et STRENGTH.

- 1 Ouvrez le couvercle du réservoir d'eau.
- 2 Remplissez le réservoir d'eau avec 7 tasses de vinaigre blanc (4 % d'acide acétique) et 3 tasses d'eau (fig. 23).
- 3 Placez un filtre en papier (n° 4) dans le porte-filtre et fermez le support pour porte-filtre.
- 4 Placez la verseuse vide sur la plaque chauffante (fig. 4).
- 5 Branchez le cordon d'alimentation sur la prise secteur.
- 6 Appuyez sur le bouton marche/veille.
- 7 Appuyez sur le bouton de mouture du café pour désactiver le moulin. Ensuite, appuyez sur le bouton marche/veille pour lancer le cycle de préparation.
- 8 Attendez que la moitié de la solution vinaigre-eau se soit écoulée dans la verseuse. Appuyez ensuite sur le bouton marche/veille pour arrêter le cycle de préparation et laissez agir pendant au moins 15 minutes.
- 9 Appuyez sur le bouton marche/veille pour allumer à nouveau la cafetière et patientez jusqu'à ce que le reste de la solution se soit écoulé dans la verseuse. Appuyez ensuite sur le bouton marche/veille pour mettre la cafetière en mode veille.
- 10 Videz la verseuse et jetez le filtre en papier.
- 11 Remplissez le réservoir d'eau avec de l'eau froide et appuyez sur le bouton marche/veille pour commencer un autre cycle de préparation. Laissez la cafetière terminer le cycle de préparation et videz la verseuse.
- 12 Répétez l'étape 12 jusqu'à ce que l'eau n'ait plus le goût ni l'odeur du vinaigre.
- 13 Nettoyez le porte-filtre et la verseuse à l'eau chaude, avec un peu de liquide vaisselle.

7 Commande d'accessoires

Pour acheter des accessoires ou des pièces de rechange, visitez le site Web www.shop.philips.com/service ou rendez-vous chez votre revendeur Philips. Vous pouvez également contacter le Service Consommateurs Philips de votre pays (voir le dépliant de garantie internationale pour les coordonnées).

8 Environnement

- Lorsqu'il ne fonctionnera plus, ne jetez pas l'appareil avec les ordures ménagères, mais déposez-le à un endroit assigné à cet effet, où il pourra être recyclé. Vous contribuerez ainsi à la protection de l'environnement (fig. 24).

9 Garantie et assistance

Si vous avez besoin d'une assistance ou d'informations supplémentaires, consultez le site Web www.philips.com/support ou lisez le dépliant séparé sur la garantie internationale.

10 Dépannage

Cette rubrique présente les problèmes les plus courants que vous pouvez rencontrer avec votre appareil. Si vous ne parvenez pas à résoudre le problème à l'aide des informations ci-dessous, rendez-vous sur www.philips.com/support pour consulter les questions fréquemment posées, ou contactez le Service Consommateurs de votre pays.

L'appareil ne fonctionne pas.

- Assurez-vous que la tension indiquée sur l'appareil correspond bien à la tension secteur locale.
- Remplissez le réservoir d'eau.

Lorsque j'utilise le moulin, le café est trop léger:

- Assurez-vous que le nombre de tasses sélectionné à l'aide du bouton pour 2-10 tasses correspond à la quantité d'eau dans le réservoir d'eau. Notez que l'appareil utilise toute l'eau présente dans le réservoir.
- Réglez le bouton STRENGTH sur « strong » (fort) pour changer l'intensité du café.
- Lorsque vous utilisez des grains de café, veillez à ne pas appuyer sur le bouton de mouture du café car cela désactive le moulin.
- Utilisez des grains de café à l'arôme plus intense ou au goût plus fort.
- Pour plus d'intensité, sélectionnez un nombre de tasses supérieur à la quantité d'eau dans le réservoir à l'aide du bouton pour 2-10 tasses.

Lorsque j'utilise du café moulu, le café est trop léger:

- Assurez-vous que la quantité de café moulu dans le filtre correspond à la quantité d'eau dans le réservoir d'eau. Notez que l'appareil utilise toute l'eau présente dans le réservoir.
- Utilisez un café moulu à l'arôme plus intense ou au goût plus fort.
- Pour plus d'intensité, augmentez la quantité de café moulu ou diminuez la quantité d'eau.

Le filtre déborde lorsque je retire la verseuse au cours d'un cycle de préparation.

- Si vous retirez la verseuse pendant plus de 20 secondes pendant le cycle de préparation du café, le système stop-goutte risque de faire déborder le porte-filtre. Notez également que le café prend tout son arôme uniquement à la fin d'un cycle complet. Nous vous conseillons donc de ne pas retirer la verseuse et de ne pas servir le café tant que le cycle de préparation n'est pas terminé.

L'appareil continue à goutter, longtemps après la fin du cycle de préparation du café.

- Ce phénomène est causé par la condensation de la vapeur. Il est tout à fait normal que l'appareil goutte pendant quelques instants.
- Si l'appareil n'arrête pas de goutter, le système stop-goutte est peut-être obstrué. Pour nettoyer le système stop-goutte, appuyez sur le bouton OPEN situé sur le côté droit de l'appareil pour ouvrir le support pour porte-filtre. Retirez le porte-filtre. Ensuite, rincez le porte-filtre et le système stop-goutte sous le robinet.
- Si vous retirez la verseuse pendant plus de 20 secondes pendant le cycle de préparation du café, le système stop-goutte risque de faire déborder le porte-filtre.

Le café n'est pas assez chaud.

- Assurez-vous que la verseuse a été correctement positionnée sur la plaque chauffante.
- Assurez-vous que la plaque chauffante et le fond de la verseuse sont propres.
- Utilisez des tasses à parois fines car celles-ci absorbent moins de chaleur que les tasses à parois épaisses.
- N'utilisez pas de lait qui vient de sortir du réfrigérateur.
- Détartrez l'appareil. Pour cela, reportez-vous à la section « Détartrage » dans le chapitre « Nettoyage et entretien ».

1 Introduzione

Congratulazioni per l'acquisto e benvenuti in Philips! Per trarre il massimo vantaggio dall'assistenza Philips, registrate il vostro prodotto su www.philips.com/welcome.

2 Descrizione generale (fig. 1)

- 1 Cestello del filtro
- 2 Sistema antigoccia
- 3 Blocco dello scivolo del caffè in grani
- 4 Manopola di selezione della macinatura
- 5 Display
- 6 Pulsante STRENGTH
- 7 Pulsante 2-10 CUPS
- 8 Portafiltro
- 9 Coperchio della caraffa
- 10 Caraffa di vetro
- 11 Piastra
- 12 Apertura di fuoriuscita
- 13 Serbatoio dell'acqua con finestra per controllare il livello dell'acqua
- 14 Pulsante OPEN del portafiltro
- 15 Pulsante on/off, start/stop
- 16 Pulsante caffè pre-macinato
- 17 Scarico del vapore
- 18 Coperchio dello scivolo del caffè in grani
- 19 Coperchio del serbatoio dell'acqua
- 20 Contenitore caffè in grani
- 21 Coperchio del contenitore del caffè in grani
- 22 Spazzolina per la pulizia

3 Importante

Prima di utilizzare l'apparecchio, leggete attentamente il presente manuale e conservatelo per eventuali riferimenti futuri.

3.1 Pericolo

- Non immergete l'apparecchio nell'acqua o in altri liquidi e non risciacquatelo sotto l'acqua corrente.
-

3.2 Avviso

- Prima di collegare l'apparecchio, controllate che la tensione indicata sulla parte inferiore dell'apparecchio corrisponda a quella locale.
- Nel caso in cui il cavo di alimentazione fosse danneggiato, dovrà essere sostituito presso i centri autorizzati Philips, i rivenditori specializzati oppure da personale debitamente qualificato, per evitare situazioni pericolose.
- L'apparecchio non è destinato a persone (inclusi bambini) con capacità mentali, fisiche o sensoriali ridotte, fatti salvi i casi in cui tali persone abbiano ricevuto assistenza o formazione per l'uso dell'apparecchio da una persona responsabile della loro sicurezza.
- Adottate le dovute precauzioni per evitare che i bambini giochino con l'apparecchio.
- Tenete il cavo di alimentazione fuori dalla portata dei bambini. Evitate che il cavo penda dal bordo del tavolo o dal piano di lavoro su cui è posizionato l'apparecchio.
- Non toccate le unità di macinatura del caffè dell'apparecchio, specialmente quando quest'ultimo è collegato alla corrente.
- Tenete il materiale di imballaggio (buste di plastica, protezioni in cartone, ecc.) fuori dalla portata dei bambini poiché non sono giocattoli.
- Durante il funzionamento dell'apparecchio non toccate le superfici incandescenti.
- Questo apparecchio è progettato per macinare e preparare il caffè. Utilizzatelo correttamente e con cautela per evitare ustioni dovute al vapore e all'acqua calda.

- Non utilizzate l'apparecchio se la spina, il cavo di alimentazione o l'apparecchio stesso sono danneggiati.
- Se si verifica un problema che non riuscite a risolvere consultando il presente manuale, rivolgetevi al Centro Assistenza Clienti del vostro paese. Se il problema risulta irrisolvibile, rivolgetevi a un centro autorizzato Philips per un controllo ed eventuali riparazioni. Non tentate di riparare l'apparecchio per evitare di invalidare la garanzia.

3.3 Attenzione

- Non appoggiate l'apparecchio su una superficie calda e fate in modo che il cavo di alimentazione non venga a contatto con superfici incandescenti.
- Scollegate l'apparecchio dalla presa di corrente se si verificano problemi durante la macinazione o la preparazione del caffè e prima di pulirlo.
- La caraffa è calda durante e dopo l'erogazione. Tenetela sempre per il manico.
- Non utilizzate mai la caraffa nel microonde.
- Non spostate l'apparecchio mentre è in funzione.
- Attendete che l'apparecchio si raffreddi prima di riporlo. La piastra e la caraffa potrebbero essere calde.
- Quando togliete l'apparecchio dalla confezione, controllate che sia integro e che non abbia subito danni. In caso di dubbi, non utilizzatelo ma rivolgetevi al centro assistenza clienti del vostro paese.
- Questo apparecchio è destinato esclusivamente ad un uso domestico e non deve essere utilizzato in ambienti quali cucine dei dipendenti all'interno di punti vendita, uffici, aziende agricole o altri ambienti lavorativi. Non deve essere altresì utilizzato dai clienti di hotel, motel, Bed & Breakfast e altri ambienti residenziali.

3.4 Campi elettromagnetici (EMF)

Questo apparecchio Philips è conforme a tutti gli standard relativi ai campi elettromagnetici (EMF). Se utilizzato in modo appropriato seguendo le istruzioni contenute nel presente manuale d'uso, l'apparecchio consente un utilizzo sicuro come confermato dai risultati scientifici attualmente disponibili.

4 Primo utilizzo

4.1 Come lavare l'apparecchio

La macchina per caffè all'americana deve essere pulita al primo utilizzo.

- 1 Inserite la spina nella presa di corrente a muro.
 - *Il pulsante start/standby si accende.*
- 2 Premete il pulsante start/standby (fig. 2).
 - *Il display si accende e l'apparecchio emette un segnale acustico.*

Nota:

Se non premete un pulsante qualsiasi entro 5 minuti, l'apparecchio passa in modalità standby. In questo caso, il display si spegne e rimane acceso solo il pulsante start/standby per indicare che l'apparecchio è ancora acceso. In modalità standby, potete premere un pulsante qualsiasi per riattivare l'apparecchio.

- 3 Aprite il coperchio del serbatoio dell'acqua. Riempitelo con acqua fredda pulita **fino all'indicazione 10 tazze** (fig. 3).

Nota:

Non mettete caffè in grani o caffè macinato nell'apparecchio.

- 4 Chiudete il coperchio del serbatoio dell'acqua.
- 5 Mettete la caraffa sulla piastra (fig. 4).

Nota:

Assicuratevi che il coperchio si trovi sulla caraffa e che quest'ultima sia posizionata correttamente sulla piastra calda. Il beccuccio della caraffa deve essere rivolto verso chi guarda. Se il coperchio non si trova sulla caraffa o quest'ultima non è posizionata correttamente, la funzione antigoccia si attiva automaticamente (vedere il capitolo "Modalità d'uso dell'apparecchio", sezione "Funzione antigoccia").

- 6** Premete il pulsante start/standby (fig. 5).
 - *L'apparecchio emette un segnale acustico e l'indicatore relativo alla freschezza del caffè compare sul display.*
- 7** Premete il pulsante del caffè pre-macinato per spegnere il macinacaffè (fig. 6).
 - *Quando viene premuto il pulsante si accende.*

Nota:

Quando spegnete il macinacaffè, il numero di tazze e l'impostazione dell'intensità dell'aroma non viene mostrato sul display.

- 8** Premete il pulsante start/standby per avviare il processo di erogazione (fig. 7).
- 9** Lasciate in funzione l'apparecchio finché la caraffa si riempie di acqua.
 - *La macchina per il caffè all'americana emette 5 segnali acustici a conclusione del processo di erogazione.*
- 10** Premete il pulsante start/standby per interrompere il processo di erogazione/ riscaldamento. (fig. 5)
- 11** Svotate la caraffa.

5 Modalità d'uso dell'apparecchio

5.1 Riempimento del serbatoio dell'acqua

- 1** Aprite il coperchio del serbatoio dell'acqua e riempite il serbatoio con acqua fredda nella quantità richiesta (fig. 3). Sulla finestra del livello dell'acqua e sulla caraffa sono presenti le indicazioni da 2 a 10 tazze (da 275 ml a 1375 ml). Potete usare queste indicazioni per determinare quanta acqua mettere nel serbatoio. Ricordatevi che la quantità di caffè erogato sarà leggermente inferiore poiché il caffè macinato assorbe acqua.

Consiglio:

Usate la caraffa per riempire il serbatoio con la quantità richiesta di acqua.

Nota: (fig. 8)

Non riempite il serbatoio oltre l'indicazione di 10 tazze per evitare che l'acqua fuoriesca dall'apertura sul retro.

5.2 Utilizzo di caffè in grani

Avviso:

Non inserite i chicchi di caffè per espresso nel contenitore dei chicchi di caffè. Utilizzate solo chicchi di caffè normale.

Avviso:

Tenete sempre il coperchio del serbatoio dell'acqua chiuso quando riempite il contenitore del caffè in grani. In caso contrario eventuali grani di caffè possono cadere nel serbatoio dell'acqua e bloccare l'ingresso dell'acqua.

- 1** Premete il pulsante OPEN sul lato destro dell'apparecchio per aprire il cestello del portafiltro. (fig. 9)

- 2 Posizionate un filtro di carta (n. 4) nel cestello del filtro per raccogliere il caffè macinato. (fig. 10)
- 3 Rimuovete il coperchio del contenitore del caffè in grani (1) e riempitelo con i chicchi di caffè (2). Assicuratevi che i chicchi all'interno del contenitore siano sufficienti per la quantità di caffè desiderata (fig. 11).

☰ Nota:

Assicuratevi che il contenitore del caffè in grani sia sempre almeno mezzo pieno.

⚠ Avviso:

La capacità massima del contenitore del caffè in grani è di 250 g. Per evitare che il macinacaffè si blocchi, non superare questa quantità.

⚠ Avviso:

Per evitare che il macinacaffè si blocchi, non usate chicchi di caffè non tostati o caramellati.

- 4 Girate la manopola di selezione della macinatura per selezionare il tipo desiderato (dalla macinatura fine a quella grossolana). Sono disponibili 9 impostazioni diverse (fig. 12).

⊛ Consiglio:

Vi consigliamo di fare delle prove con le varie impostazioni di macinatura per trovare quella che preferite.

- 5 Per selezionare il numero di tazze, premete il pulsante 2-10 CUPS un numero di volte pari a quello delle tazze desiderate (fig. 13).
 - *Il pulsante 2-10 CUPS si accende quando viene premuto.*
 - *Il numero selezionato di tazze compare sul display.*

☰ Nota:

L'apparecchio utilizza tutta l'acqua del serbatoio. Assicuratevi che il numero di tazze che selezionate con il pulsante 2-10 tazze equivalga alla quantità di acqua contenuta nel serbatoio. Se selezionate un numero di tazze più piccolo della quantità di acqua, il caffè sarà meno intenso di quanto richiesto.

- 6 Premete il pulsante STRENGTH una o più volte finché non viene selezionata l'intensità dell'aroma di caffè selezionata (leggero, medio o forte) (fig. 14).
 - *Quando viene premuto, il pulsante STRENGTH si illumina.*
 - *Sul display viene visualizzata l'intensità selezionata.*
- 7 Premete il pulsante start/standby per avviare il processo di erogazione (fig. 15).

⚠ Avviso:

State lontani dall'uscita di aerazione del vapore durante l'erogazione, poiché il vapore caldo fuoriesce dai fori.

- *Il macinacaffè macina la quantità richiesta di caffè in grani.*
- *L'indicatore di freschezza lampeggia rapidamente sul display fino al termine del processo di erogazione (fig. 16).*
- *La macchina per il caffè all'americana emette 5 segnali acustici a conclusione del processo di erogazione.*
- *La piastra si accende automaticamente.*

⚠ Avviso:

Non toccate la piastra quando è accesa poiché diventa calda.

- 8 Attendete finché la macchina per il caffè all'americana non emette più alcun segnale acustico prima di rimuovere la caraffa dalla piastra.

☰ Nota:

Dopo l'erogazione, il caffè gocciola dal cestello del filtro per diversi secondi.

- *L'indicatore di freschezza lampeggia brevemente sul display per i 120 minuti successivi all'erogazione ad indicare che il caffè è ancora fresco.*

9 Se non è necessaria la piastra per mantenere il caffè caldo, premete il pulsante start/standby per impostare l'apparecchio in modalità standby (fig. 17).

- *L'apparecchio emette un segnale acustico prolungato e il pulsante start/standby rimane acceso ad indicare che l'apparecchio è ancora acceso.*

Nota:

Se non premete il pulsante start/standby per impostare l'apparecchio in modalità standby, l'apparecchio passa automaticamente a questa modalità dopo 120 minuti. Il pulsante start/standby non si spegne ad indicare che l'apparecchio è ancora collegato alla corrente.

Nota:

Potete premere un pulsante qualsiasi per attivare l'apparecchio ed erogare altro caffè.

5.3 Utilizzo di caffè pre-macinato

Se volete usare caffè pre-macinato invece di caffè in grani, seguite i passaggi riportati sotto.

- 1** Riempite il serbatoio dell'acqua, come descritto in "Riempimento del serbatoio dell'acqua".
- 2** Premete il pulsante OPEN sul lato destro dell'apparecchio per aprire il cestello del portafiltro. (fig. 9)
- 3** Posizionate un filtro di carta (n. 4) nel cestello del filtro. (fig. 18)
- 4** Premete il pulsante del caffè pre-macinato per spegnere il macinacaffè (fig. 6).
 - *Quando viene premuto il pulsante si accende.*

Nota:

Quando spegnete il macinacaffè, il numero di tazze e l'impostazione dell'intensità dell'aroma non viene mostrato sul display.

- 5** Mettete il caffè pre-macinato nel filtro di carta o nel filtro permanente.

Nota:

La quantità di caffè pre-macinato utilizzato dipende dal gusto personale. Per una tazza di caffè medio-forte, usate un misurino (circa 6 g) per ogni tazza (125 ml).

- 6** Chiudete il portafiltro e posizionate la caraffa sulla piastra.

- 7** Seguite i passaggi 7, 8 e 9 nella sezione "Utilizzo di caffè in grani".

5.4 Funzione antigoccia

La funzione antigoccia vi permette di rimuovere la caraffa dalla macchina per caffè all'americana prima che il processo di erogazione sia terminato. Quando rimuovete la caraffa, il sistema antigoccia interrompe il flusso di caffè al suo interno.

Nota:

Il processo di erogazione non si interrompe quando viene rimossa la caraffa. Se non rimettete la caraffa sulla piastra entro 20 secondi, il caffè fuoriesce dal cestello del filtro.

6 Pulizia e manutenzione

6.1 Pulizia dopo ogni utilizzo

Avviso:

Non immergete l'apparecchio nell'acqua o in altri liquidi e non risciacquatelo sotto l'acqua corrente.

- 1** Scollegate la spina dalla presa a muro.
- 2** Pulite l'esterno dell'apparecchio e la piastra con un panno umido.
- 3** Pulite il cestello del filtro e la caraffa in vetro con acqua calda e del liquido per piatti oppure puliteli in lavastoviglie.

6.2 Pulizia dello scivolo del caffè in grani

È necessario pulire lo scivolo del caffè in grani ogni 1-2 settimane, a seconda della frequenza di utilizzo.

- 1 Inserite la spina nella presa di corrente a muro.
- 2 Premete il pulsante start/standby (fig. 2).
 - *Il pulsante start/standby e il display si accendono.*
- 3 Premete il pulsante start/standby, quindi scollegate la spina dalla presa a muro.
- 4 Inserite la parte piatta dell'impugnatura della spazzolina per la pulizia nel sistema di blocco dello scivolo e ruotatelo impostandolo in posizione di "apertura". (fig. 19)
- 5 Aprite il coperchio dello scivolo del caffè in grani (fig. 20).
- 6 Usate la spazzolina per la pulizia per rimuovere i residui di caffè macinato nella parte inferiore dello scivolo (fig. 21).

Consiglio:

Posizionate un filtro di carta nel cestello del filtro per raccogliere il caffè macinato.

- *I residui di caffè macinato cadono nel cestello del filtro.*
- 7 Chiudete il coperchio dello scivolo del caffè in grani e ruotate il sistema in posizione di blocco (fig. 22).
 - 8 Togliete il filtro di carta con i residui di caffè macinato e gettatelo via.

6.3 Pulizia anticalcare

Quando il messaggio "CALC" viene visualizzato sul display (dopo circa 60 utilizzi), è necessario eseguire la pulizia anticalcare per evitare che il calcare blocchi l'apparecchio.

La rimozione regolare del calcare prolunga la vita dell'apparecchio e garantisce ottimi risultati e tempi di preparazione costanti per molto tempo. Eseguite la pulizia anticalcare dell'apparecchio:

- ogni 120 cicli di erogazione se si usa acqua dolce (fino a 18 dH).
- ogni 60 cicli di erogazione se si usa acqua dura (oltre 18 dH).

Per informazioni sulla durezza dell'acqua della vostra zona, contattate l'ente preposto alla distribuzione.

Nota:

Se non si conosce la durezza dell'acqua della propria zona e non è possibile contattare l'ente di distribuzione di zona, si consiglia di eseguire la pulizia anticalcare ogni volta che sul display viene visualizzato il messaggio "CALC".

Nota:

Per rimuovere il messaggio "CALC" dal display, premete contemporaneamente il pulsante 2-10 CUPS e il pulsante STRENGTH.

- 1 Aprite il coperchio del serbatoio dell'acqua.
- 2 Riempite il serbatoio dell'acqua con 7 tazze di aceto bianco (4% acido acetico) e 3 tazze di acqua (fig. 23).
- 3 Posizionate un filtro di carta (n. 4) nel cestello del filtro e chiudete il portafiltro.
- 4 Mettete la caraffa vuota sulla piastra (fig. 4).
- 5 Inserite la spina nella presa di corrente a muro.
- 6 Premete il pulsante start/standby.
- 7 Premete il pulsante di spegnimento del macinacaffè per spegnerlo. Quindi premete il pulsante di avvio/standby per avviare il processo di erogazione.
- 8 Attendete finché la metà della soluzione di aceto-acqua si è riversata nella caraffa. Premete quindi il pulsante start/standby per interrompere il processo di erogazione e lasciate riposare la soluzione per almeno 15 minuti.
- 9 Premete il pulsante start/standby per riaccendere la macchina per caffè e attendete finché il resto della soluzione non si riversa nella caraffa. Successivamente premete il pulsante start/standby per impostare l'apparecchio in modalità standby.
- 10 Svotate la caraffa e gettate il filtro di carta.
- 11 Riempite il serbatoio dell'acqua con acqua fredda e premete il pulsante start/standby per avviare un altro processo di erogazione. Lasciate che la macchina per caffè completi l'intero processo di erogazione e svotate la caraffa.

- 12 Ripetete il passaggio 12 fino a che l'acqua non perde il sapore o l'odore di aceto.
- 13 Pulite il cestello del filtro e la caraffa con acqua calda e del detersivo per piatti.

7 Ordinazione degli accessori

Per acquistare accessori o parti di ricambio, visitate il sito www.shop.philips.com/service oppure recatevi presso il vostro rivenditore Philips. Potete contattare anche il centro assistenza Philips del vostro paese (per i dettagli di contatto, consultate l'opuscolo della garanzia internazionale).

8 Tutela dell'ambiente

- Per contribuire alla tutela dell'ambiente, non smaltite l'apparecchio insieme ai rifiuti domestici, ma consegnatelo a un centro di raccolta ufficiale (fig. 24).

9 Garanzia e assistenza

Per assistenza o informazioni, visitate il sito Web all'indirizzo www.philips.com/support oppure leggete l'opuscolo della garanzia internazionale.

10 Risoluzione dei guasti

Questo capitolo riassume i problemi più comuni che potreste riscontrare con l'apparecchio. Se non riuscite a risolvere il problema con le informazioni riportate sotto, visitate il sito www.philips.com/support per un elenco di domande frequenti o contattate il centro assistenza clienti del vostro paese.

L'apparecchio non funziona.

- Verificate che la tensione indicata sull'apparecchio corrisponda a quella della tensione locale.
- Riempite d'acqua il serbatoio.

Quando si utilizza il macinacaffè, il gusto del caffè risulta troppo leggero.

- Assicuratevi che il numero di tazze selezionato tramite il pulsante 2-10 CUPS sia compatibile con la quantità di acqua presente nel serbatoio. Tenete presente che l'apparecchio utilizza tutta l'acqua nel serbatoio.
- Usate il pulsante STRENGTH per impostare l'intensità del caffè su "forte".
- Quando usate il caffè in grani, assicuratevi di non premere il pulsante del caffè pre-macinato poiché in questo modo il macinacaffè si spegne.
- Usate caffè in grani di una miscela/gusto più forte.
- Per aumentare l'intensità del caffè, selezionate un numero superiore di tazze tramite il pulsante 2-10 CUPS rispetto a quello indicato nel serbatoio dell'acqua.

Quando si usa caffè pre-macinato, l'aroma risulta troppo leggero.

- Assicuratevi che la quantità di caffè pre-macinato nel filtro sia compatibile con la quantità di acqua presente nel serbatoio. Tenete presente che l'apparecchio utilizza tutta l'acqua nel serbatoio.
- Usate caffè macinato di una miscela/gusto più forte.
- Per aumentare l'intensità del caffè, aumentate la quantità di caffè pre-macinato o diminuite la quantità di acqua.

Il filtro trabocca quando viene rimossa la caraffa dall'apparecchio durante la preparazione del caffè.

- Se rimuovete la caraffa per più di 20 secondi durante il processo di erogazione, il sistema antigoccia causa la fuoriuscita del caffè dal cestello del filtro. Tenete inoltre presente che l'intensità finale del caffè si raggiunge solo a conclusione del processo di erogazione. Vi consigliamo pertanto di non rimuovere la caraffa e di non versare il caffè prima della fine del processo di erogazione.

L'apparecchio continua a perdere acqua anche molto tempo dopo il processo di erogazione.

- La fuoriuscita di acqua è causata dalla condensazione del vapore. Si tratta di un fenomeno normale che può verificarsi.
- Se continuano a cadere gocce, il sistema antigoccia potrebbe essere ostruito. Per pulirlo, premete il pulsante OPEN sulla parte destra dell'apparecchio per aprire il portafiltro. Estraiete il cestello del filtro, quindi sciacquate quest'ultimo e il sistema antigoccia sotto l'acqua corrente.
- Se rimuovete la caraffa per più di 20 secondi durante il processo di erogazione, il sistema antigoccia causa la fuoriuscita del caffè dal cestello del filtro.

Il caffè non è abbastanza caldo.

- Assicuratevi di aver posizionato correttamente la caraffa sulla piastra.
- Assicuratevi che la piastra e il fondo della caraffa siano puliti.
- Utilizzate tazze sottili perché assorbono meno calore dal caffè rispetto a quelle spesse.
- Non utilizzate latte appena tolto dal frigorifero.
- Eseguite la pulizia anticalcare. Vedere la sezione "Pulizia anticalcare" nel capitolo "Pulizia e manutenzione".

1 Inleiding

Gefeliciteerd met uw aankoop en welkom bij Philips! Als u volledig wilt profiteren van de ondersteuning die Philips biedt, registreer uw product dan op www.philips.com/welcome.

2 Algemene beschrijving (fig. 1)

- 1 Filtermand
- 2 Druppelstop
- 3 Slot van bonentrechter
- 4 Maalgraadkeuzeknop
- 5 Display
- 6 STRENGTH-knop
- 7 2-10-kops knop
- 8 Filtermandhouder
- 9 Deksel van kan
- 10 Glazen kan
- 11 Warmhoudplaat
- 12 Overstroomgat
- 13 Waterreservoir met waterniveauvenster
- 14 OPEN-knop voor filtermandhouder
- 15 Aan/uit, start-/stand-byknop
- 16 Knop voor voorgemalen koffie
- 17 Stoomuitlaat
- 18 Deksel van bonentrechter
- 19 Deksel van waterreservoir
- 20 Koffiebonenbak
- 21 Deksel van bonenreservoir
- 22 Schoonmaakborstelje

3 Belangrijk

Lees deze gebruiksaanwijzing zorgvuldig door voordat u het apparaat gaat gebruiken. Bewaar de gebruiksaanwijzing om deze zo nodig later te kunnen raadplegen.

3.1 Gevaar

- Dompel het apparaat nooit in water of een andere vloeistof en spoel het ook niet af onder de kraan.

3.2 Waarschuwing

- Controleer of het voltage aangegeven op de onderkant van het apparaat overeenkomt met de plaatselijke netspanning voordat u het apparaat aansluit.
- Indien het netsnoer beschadigd is, moet u het laten vervangen door Philips, een door Philips geautoriseerd servicecentrum of personen met vergelijkbare kwalificaties om gevaar te voorkomen.
- Dit apparaat is niet bedoeld voor gebruik door personen (waaronder kinderen) met verminderde lichamelijke, zintuiglijke of geestelijke vermogens, of die gebrek aan ervaring of kennis hebben, tenzij iemand die verantwoordelijk is voor hun veiligheid toezicht op hen houdt of hun heeft uitgelegd hoe het apparaat dient te worden gebruikt.
- Houd toezicht op jonge kinderen om te voorkomen dat ze met het apparaat gaan spelen.
- Houd het netsnoer buiten het bereik van kinderen. Laat het netsnoer niet over de rand van de tafel of het aanrecht hangen waarop het apparaat staat.
- Raak de maalschijven van het apparaat niet aan, vooral niet wanneer het apparaat is aangesloten op netspanning.
- Houd de verpakkingsmaterialen (plastic zakken, kartonnen buffers enz.) buiten het bereik van kinderen. De verpakkingsmaterialen zijn geen speelgoed.

- Raak de hete oppervlakken van het apparaat niet aan wanneer het apparaat in werking is.
- Dit apparaat is ontworpen om bonen te malen en dan koffie te zetten. Gebruik het apparaat voorzichtig en op de juiste wijze om verbranding door heet water en stoom te voorkomen.
- Gebruik het apparaat niet indien de stekker, het netsnoer of het apparaat zelf beschadigd is.
- Als u er niet in slaagt een probleem op te lossen met behulp van de informatie in deze gebruiksaanwijzing, neem dan contact op met het Consumer Care Centre in uw land. Als het probleem niet kan worden opgelost, breng het apparaat dan naar een door Philips geautoriseerd servicecentrum voor onderzoek of reparatie. Probeer niet zelf het apparaat te repareren, omdat uw garantie hierdoor komt te vervallen.

3.3 Let op

- Plaats het apparaat niet op een heet oppervlak en voorkom dat het netsnoer in contact komt met hete oppervlakken.
- Haal de stekker van het apparaat uit het stopcontact als er tijdens het malen van bonen of het koffiezetten problemen optreden, en voordat u het apparaat gaat schoonmaken.
- De kan is zowel tijdens als na het koffiezetten heet. Pak de kan altijd vast bij het handvat.
- Gebruik de kan nooit in een magnetron.
- Verplaats het apparaat niet wanneer het in werking is.
- Wacht tot het apparaat is afgekoeld voor u het opbergt. De warmhoudplaat en de koffiekan kunnen heet zijn.
- Controleer nadat u het apparaat hebt uitgepakt, of het compleet en onbeschadigd is. Als u twijfelt, gebruik het apparaat dan niet en neem contact op met het Consumer Care Centre in uw land.

- Dit apparaat is uitsluitend bedoeld voor normaal huishoudelijk gebruik. Het apparaat is niet bedoeld voor gebruik in personeelskeukens van bijvoorbeeld winkels, kantoren, boerderijen of vergelijkbare werkomgevingen en ook niet voor gebruik door gasten van hotels, motels, bed & breakfasts en andere verblijfsaccommodaties.

3.4 Elektromagnetische velden (EMV)

Dit Philips-apparaat voldoet aan alle richtlijnen met betrekking tot elektromagnetische velden (EMV). Mits het apparaat op de juiste wijze en volgens de instructies in deze gebruiksaanwijzing wordt gebruikt, is het veilig te gebruiken volgens het nu beschikbare wetenschappelijke bewijs.

4 Voor het eerste gebruik

4.1 Het apparaat doorspelen

Voor het eerste gebruik dient u de koffiezetter eenmaal door te spelen.

- 1 Steek de stekker in het stopcontact.
 - *De start-/standby-knop gaat branden.*
- 2 Druk op de start-/stand-byknop (fig. 2).
 - *Het display gaat branden en het apparaat piept.*

Opmerking:

Als u niet binnen 5 minuten op een knop drukt, gaat het apparaat naar stand-bymodus. In dat geval gaat het display uit en blijft alleen de start-/stand-byknop aan om aan te geven dat het apparaat nog steeds is ingeschakeld. In de stand-bymodus kunt u op iedere knop drukken om het apparaat te reactiveren.

- 3 Open het deksel van het waterreservoir. Vul het waterreservoir met vers koud water **tot de 10-kopsaanduiding (fig. 3).**

⊖ Opmerking:

Vul het apparaat niet met koffiebonen of gemalen koffie.

- 4 Sluit het deksel van het waterreservoir.
- 5 Plaats de kan op de warmhoudplaat (fig. 4).

⊖ Opmerking:

Zorg dat het deksel op de kan zit en de kan goed op de warmhoudplaat is geplaatst. De tuit van de kan moet naar voren het apparaat in wijzen. Als het deksel niet op de kan zit of de kan niet goed is geplaatst, dan wordt de druppelstopfunctie automatisch geactiveerd (zie 'Druppelstopfunctie' in hoofdstuk 'Het apparaat gebruiken').

- 6 Druk op de start-/stand-byknop (fig. 5).
 - *Het apparaat piept en de versheidsindicator verschijnt op het display.*
- 7 Druk op de knop voor voorgemalen koffie om de molen uit te schakelen (fig. 6).
 - *De knop gaat branden als u erop drukt.*

⊖ Opmerking:

Wanneer u de molen uitschakelt, worden het aantal koppen en de koffiesterkte niet op het display getoond.

- 8 Druk op de start-/stand-byknop om het koffiezetproces te starten (fig. 7).
- 9 Laat het apparaat werken totdat al het water in de kan is gelopen.
 - *De koffiezetter piept 5 keer als het koffiezetproces beëindigd is.*
- 10 Druk op de start-/stand-byknop om het koffiezet-/warmhoudproces te stoppen. (fig. 5)
- 11 Leeg de kan.

5 Het apparaat gebruiken

5.1 Het waterreservoir vullen

- 1 Open het deksel van het waterreservoir en vul het waterreservoir met de benodigde hoeveelheid koud water (fig. 3).
Er staan aanduidingen voor 2 tot 10 koppen (275 ml tot 1375 ml) op het waterniveaувenster en op de kan. U kunt deze aanduidingen gebruiken om vast te stellen hoeveel water u in het waterreservoir moet doen. Bedenk wel dat de hoeveelheid gezette koffie iets minder zal zijn, aangezien gemalen koffie water absorbeert.

⊗ Tip:

Gebruik de kan om het waterreservoir met de benodigde hoeveelheid water te vullen.

⊖ Opmerking: (fig. 8)

Vul het waterreservoir niet voorbij de 10-kopsaanduiding, anders kan er water uit de opening aan de achterzijde lopen.

5.2 Met koffiebonen

⚠ Waarschuwing:

Vul de koffiebonenbak niet met espressokoffiebonen. Gebruik alleen normale koffiebonen.

⚠ Waarschuwing:

Houd altijd het deksel van het waterreservoir gesloten wanneer u de koffiebonenbak met koffiebonen vult. Anders kunnen de koffiebonen in het waterreservoir vallen en de waterinlaat verstoppen.

- 1 Druk op de OPEN-knop op de rechter zijkant van het apparaat om de filtermandhouder te openen. (fig. 9)
- 2 Plaats een filterzakje (nr. 4) in de filtermand om de gemalen koffie op te vangen. (fig. 10)

- 3** Verwijder het deksel van het bonenreservoir (1) en vul het reservoir met koffiebonen (2). Zorg dat er voldoende koffiebonen in het reservoir zitten voor de hoeveelheid koffie die u wilt zetten (fig. 11).

Opmerking:

Zorg er altijd voor dat het bonenreservoir ten minste voor de helft gevuld is.

⚠ Waarschuwing:

De maximale capaciteit van het bonenreservoir is 250 g. Overschrijd deze hoeveelheid niet, om te voorkomen dat de molen vastloopt.

⚠ Waarschuwing:

Gebruik geen ongebrande of gekaramelliseerde bonen, om te voorkomen dat de molen vastloopt.

- 4** Stel de maalgraadkeuzeknop in op de gewenste maling; van fijn tot grof. Er zijn negen maalgraadstanden (fig. 12).

*** Tip:**

Wij adviseren u om met de verschillende maalgraadstanden te experimenteren om te ontdekken welke stand u het prettigst vindt.

- 5** Om het aantal koppen te kiezen, drukt u op de 2-10-kops knop tot het gewenste aantal is bereikt (fig. 13).
- *De 2-10-kops knop gaat branden als u erop drukt.*
 - *Het gekozen aantal koppen verschijnt op het display.*

Opmerking:

Het apparaat gebruikt al het water in het waterreservoir. Zorg ervoor dat het aantal koppen dat u instelt met de 2-10-kops knop overeenkomt met de hoeveelheid water die u in het waterreservoir hebt gegoten. Als het aantal koppen dat u kiest minder is dan de hoeveelheid water in het reservoir, dan wordt de koffie slapper dan de bedoeling was.

- 6** Druk een of meerdere keren op de STRENGTH-knop tot de gewenste koffiesterkte is geselecteerd (mild, gemiddeld of sterk) (fig. 14).

- *De STRENGTH-knop gaat branden als u erop drukt.*
- *Op het display verschijnt de geselecteerde koffiesterkte.*

- 7** Druk op de start-/stand-byknop om het koffiezetproces te starten (fig. 15).

⚠ Waarschuwing:

Blijf tijdens het koffiezetten uit de buurt van de stoomuitlaat, aangezien hete stoom door de uitlaat ontsnapt.

- *De molen maakt de noodzakelijke hoeveelheid koffiebonen.*
- *De versheidsindicator op het display knippert snel tot het koffiezetproces is beëindigd (fig. 16).*
- *De koffiezetter piept 5 keer als het koffiezetproces beëindigd is.*
- *De warmhoudplaat schakelt automatisch in.*

⚠ Waarschuwing:

Raak de warmhoudplaat niet aan als deze is ingeschakeld, aangezien deze heet wordt.

- 8** Wacht tot de koffiezetter is gestopt met piepen voor u de kan van de warmhoudplaat verwijderd.

Opmerking:

Na het koffiezetten druppelt er nog enkele seconden koffie uit de filtermand.

- *De versheidsindicator op het display knippert langzaam gedurende 120 minuten na het koffiezetten, om aan te geven dat de koffie vers is.*

- 9** Als u de warmhoudplaat niet nodig hebt om de koffie warm te houden, druk dan op de start-/stand-byknop om het apparaat in stand-bymodus te zetten (fig. 17).

- *Het apparaat geeft een lange piep en de start-/stand-byknop blijft aan om aan te geven dat het apparaat nog steeds is ingeschakeld.*

⊖ Opmerking:

Als u niet op de start-/stand-byknop drukt om het apparaat in stand-bymodus te zetten, gaat het apparaat na 120 minuten automatisch naar stand-bymodus. De start-/stand-byknop blijft aan om aan te geven dat de stekker van het apparaat nog in het stopcontact zit.

⊖ Opmerking:

U kunt op iedere knop drukken om het apparaat te activeren en opnieuw koffie te zetten.

5.3 Met voorgemalen koffie

Volg de onderstaande stappen als u voorgemalen koffie wilt gebruiken in plaats van koffiebonen.

- 1** Vul het waterreservoir met water, zoals is beschreven in 'Het waterreservoir vullen'.
- 2** Druk op de OPEN-knop op de rechter zijkant van het apparaat om de filtermandhouder te openen. (fig. 9)
- 3** Plaats een filterzakje (nr. 4) in de filtermand. (fig. 18)
- 4** Druk op de knop voor voorgemalen koffie om de molen uit te schakelen (fig. 6).
 - *De knop gaat branden als u erop drukt.*

⊖ Opmerking:

Wanneer u de molen uitschakelt, worden het aantal koppen en de koffiesterkte niet op het display getoond.

- 5** Doe voorgemalen koffie in het filterzakje of in het permanente filter.

⊖ Opmerking:

Hoeveel voorgemalen koffie u gebruikt, is een kwestie van persoonlijke smaak. Voor middelsterke koffie gebruikt u één maatlepel (ongeveer 6 g) per kop (125 ml).

- 6** Sluit de filtermandhouder en plaats de kan op de warmhoudplaat.
- 7** Volg stap 7, 8 en 9 in 'Met koffiebonen'.

5.4 Druppelstopfunctie

Dankzij de druppelstopfunctie kunt u de kan uit de koffiezetter verwijderen voordat het koffiezetten is beëindigd is. Wanneer u de kan verwijdert, zorgt de druppelstop ervoor dat er geen koffie meer in de kan stroomt.

⊖ Opmerking:

Het koffiezetproces stopt niet wanneer u de kan verwijdert. Als u de kan niet binnen 20 seconden terugzet op de warmhoudplaat, loopt de filtermand over.

6 Schoonmaken en onderhoud

6.1 Schoonmaken na ieder gebruik

⚠ Waarschuwing:

Dompel het apparaat nooit in water of een andere vloeistof en spoel het ook niet af onder de kraan.

- 1** Haal de stekker uit het stopcontact.
- 2** Veeg de warmhoudplaat en de buitenkant van de koffiezetter af met een vochtig doek.
- 3** Maak de filtermand en de glazen kan schoon met warm water en een beetje afwasmiddel om in de vaatwasmachine.

6.2 De bonentrechter schoonmaken

Afhankelijk van de gebruiksfrequentie moet u de bonentrechter om de 1 tot 2 weken schoonmaken.

- 1** Steek de stekker in het stopcontact.
- 2** Druk op de start-/stand-byknop (fig. 2).
 - *De start-/stand-byknop en het display gaan branden.*
- 3** Druk op de start-/stand-byknop en trek de stekker uit het stopcontact.

- 4 Steek de platte kant van het handvat van de schoonmaakborstel in het slot van de bonentrechter en draai deze naar de 'open'-stand. (fig. 19)
- 5 Open het deksel van de bonentrechter (fig. 20).
- 6 Gebruik het schoonmaakborsteltje om resten gemalen koffie naar het onderste deel van de trechter te borstelen (fig. 21).

*** Tip:**

Plaats een filterzakje in de filtermand om de gemalen koffie op te vangen.

- *De resten gemalen koffie vallen in de filtermand.*
- 7 Sluit het deksel van de bonentrechter en draai het slot naar de gesloten stand (fig. 22).
 - 8 Verwijder het filterzakje met de resten gemalen koffie en gooi het weg.

6.3 De koffiezetter ontkalken

Wanneer (na circa 60 keer koffiezetten) het bericht 'CALC' op het display verschijnt, moet u de koffiezetter ontkalken, omdat de koffiezetter door kalk verstopt kan raken.

Regelmatig ontkalken verlengt de levensduur van het apparaat en garandeert langdurig een optimaal zetresultaat en een constante zettijd. Ontkalk het apparaat:

- na iedere 120 keer koffiezetten als u zacht water gebruikt (tot 18 dH).
- na iedere 60 keer koffiezetten als u hard water gebruikt (boven 18 dH).

U kunt contact opnemen met uw waterleidingbedrijf voor informatie over de waterhardheid in uw woongebied.

Opmerking:

Als u niet op de hoogte bent van de waterhardheid in uw woongebied en u bent niet in de gelegenheid om contact met uw waterleidingbedrijf op te nemen, raden wij u aan om het apparaat iedere keer dat het 'CALC'-bericht verschijnt te ontkalken.

Opmerking:

Om het 'CALC'-bericht van het display te verwijderen, drukt u gelijktijdig op de 2-10-kops knop en de STRENGTH-knop.

- 1 Open het deksel van het waterreservoir.
- 2 Vul het waterreservoir met 7 koppen blanke azijn (4% azijnzuur) en 3 koppen water (fig. 23).
- 3 Plaats een filterzakje (nr. 4) in de filtermand en sluit de filtermandhouder.
- 4 Plaats de lege kan op de warmhoudplaat (fig. 4).
- 5 Steek de stekker in het stopcontact.
- 6 Druk op de start-/stand-byknop.
- 7 Druk op de knop voor voorgemalen koffie om de molen uit te schakelen. Druk dan op de start-/stand-byknop om het koffiezetten te starten.
- 8 Wacht tot de helft van de azijn-wateroplossing in de kan is gelopen. Druk dan op de start-/stand-byknop om het koffiezetproces te stoppen en de oplossing minimaal 15 minuten te laten weken.
- 9 Druk op de start-/stand-byknop om het koffiezetapparaat weer in te schakelen en wacht tot de rest van de oplossing in de kan is gelopen. Druk dan op de start-/stand-byknop om het apparaat in stand-by te zetten.
- 10 Leeg de kan en gooi het filterzakje weg.
- 11 Vul het waterreservoir met koud water en druk op de start-/stand-byknop om het koffiezetproces nogmaals te starten. Laat het koffiezetapparaat het volledige koffiezetproces doorlopen en leeg de kan.
- 12 Herhaal stap 12 tot het water niet meer naar azijn smaakt of ruikt.
- 13 Maak de filtermand en de kan schoon met warm water en wat afwasmiddel.

7 Accessoires bestellen

Ga naar www.shop.philips.com/service om accessoires en reserveonderdelen te kopen of ga naar uw Philips-dealer. U kunt ook contact opnemen met het Philips Consumer Care Centre in uw land (zie het 'worldwide garantie'-vouwblad voor contactgegevens).

8 Milieu

- Gooi het apparaat aan het einde van zijn levensduur niet weg met het normale huisvuil, maar lever het in op een door de overheid aangewezen inzamelpunt om het te laten recyclen. Op die manier levert u een bijdrage aan een schonere leefomgeving (fig. 24).

9 Garantie en ondersteuning

Als u informatie of ondersteuning nodig hebt, bezoek dan www.philips.com/support of lees het 'worldwide garantie'-vouwblad.

10 Problemen oplossen

Dit hoofdstuk behandelt in het kort de problemen die u kunt tegenkomen tijdens het gebruik van het apparaat. Als u het probleem niet kunt oplossen met de informatie hieronder, ga dan naar www.philips.com/support voor een lijst met veelgestelde vragen of neem contact op met het Consumer Care Centre in uw land.

Het apparaat werkt niet.

- Controleer of het voltage dat is aangegeven op het apparaat overeenkomt met de plaatselijke netspanning.
- Vul het waterreservoir met water.

Als ik de molen gebruik, is de koffie te slap.

- Zorg ervoor dat het aantal koppen dat u instelt met de 2-10-kops knop overeenkomt met de hoeveelheid water in het waterreservoir. Bedenk daarbij wel dat het apparaat al het water in het waterreservoir gebruikt.
- Gebruik de STRENGTH-knop om de koffiesterkte op 'sterk' in te stellen.
- Als u koffiebonen gebruikt, zorg er dan voor dat u niet op de knop voor voorgemalen koffie drukt, aangezien hierdoor de molen wordt uitgeschakeld.
- Gebruik koffiebonen van een sterkere melange of smaak.
- Stel met de 2-10-kops knop een hoger aantal koppen in dan waarvoor u het waterreservoir vult om sterkere koffie te verkrijgen.

Als ik voorgemalen koffie gebruik, is de koffie te slap.

- Zorg ervoor dat de hoeveelheid voorgemalen koffie in het filter in overeenstemming is met de hoeveelheid water in het waterreservoir. Bedenk daarbij wel dat het apparaat al het water in het waterreservoir gebruikt.
- Gebruik gemalen koffie van een sterkere melange of smaak.
- Gebruik meer voorgemalen koffie of minder water om sterkere koffie te verkrijgen.

Het filter stroomt over wanneer ik de kan tijdens het koffiezetten uit het apparaat verwijder.

- Als u de kan tijdens het koffiezetproces meer dan 20 seconden verwijdert, zal de druppelstop de filtermand doen overstromen. Denk er bovendien aan dat de koffie zijn volledige smaak niet bereikt voor het einde van het koffiezetproces. Daarom raden wij u aan de kan niet te verwijderen en geen koffie uit te schenken voor het einde van het koffiezetproces.

Het apparaat blijft nog lang doordruppelen nadat het koffiezetproces is voltooid.

- Het druppelen wordt veroorzaakt door de condensatie van stoom. Het is volkomen normaal dat het apparaat nog even blijft doordruppelen.
- Als het druppelen niet stopt, is de druppelstop mogelijk verstopt. Om de druppelstop schoon te maken, drukt u op de OPEN-knop aan de rechterkant van het apparaat om de filtermandhouder te openen. Verwijder de filtermand. Spoel vervolgens de filtermand en de druppelstop af onder de kraan.
- Als u de kan tijdens het koffiezetproces meer dan 20 seconden verwijdert, zal de druppelstop de filtermand doen overstromen.

De koffie is niet heet genoeg.

- Controleer of de kan goed op de warmhoudplaat is geplaatst.
- Controleer of de warmhoudplaat en de onderkant van de kan schoon zijn.
- Gebruik dunwandige koppen omdat deze de hitte van de koffie minder absorberen dan dikwandige koppen.
- Gebruik geen melk die net uit de koelkast komt.
- Ontkalk het apparaat. Zie 'Ontkalken' in hoofdstuk 'Schoonmaken en onderhoud'.

1 Innledning

Gratulerer med kjøpet og velkommen til Philips! Du får best mulig nytte av støtten som Philips tilbyr; hvis du registrerer produktet ditt på www.philips.com/welcome.

2 Generell beskrivelse (fig. 1)

- 1 Filterkurv
- 2 Dryppstopp
- 3 Steng av kaffebønnerennen
- 4 Bryter for malevalg
- 5 Skjerm
- 6 Knappen STRENGTH
- 7 Knappen for 2–10 kopper
- 8 Filterkurvholder
- 9 Kanelokk
- 10 Glasskanne
- 11 Kokeplate
- 12 Hull til overflødig vann
- 13 Vannbeholder med vannnivåvindu
- 14 Knappen OPEN for filterkurvholder
- 15 Av/på, start/standby-knapp
- 16 Knapp for forhåndsmalt kaffe
- 17 Dampventil
- 18 Lokk på kaffebønnerenne
- 19 Lokk på vannbeholder
- 20 Kaffebønnebeholder
- 21 Lokk på kaffebønnebeholder
- 22 Rengjøringsbørste

3 Viktig

Les denne brukerveiledningen nøye før du bruker apparatet, og ta vare på den for senere referanse.

3.1 Fare

- Apparatet må ikke senkes ned i vann eller annen væske, og det må heller ikke skylles under rennende vann.
-

3.2 Advarsel

- Før du kobler til apparatet, må du kontrollere at spenningen som er angitt på undersiden av apparatet, stemmer overens med nettspenningen.
- Hvis ledningen er ødelagt, må den alltid skiftes ut av Philips, et servicesenter som er godkjent av Philips, eller lignende kvalifisert personell, slik at man unngår farlige situasjoner.
- Dette apparatet er ikke tiltenkt bruk av personer (inkludert barn) som har nedsatt sanseevne eller fysisk eller psykisk funksjonsevne, eller personer som ikke har erfaring eller kunnskap, unntatt hvis de får tilsyn eller instruksjoner om bruk av apparatet av en person som er ansvarlig for sikkerheten.
- Pass på at barn er under tilsyn, slik at de ikke leker med apparatet.
- Oppbevar alltid ledningen utilgjengelig for barn. Ikke la ledningen henge over kanten av bordet eller benken.
- Ikke ta på maleverket på apparatet, det gjelder spesielt når det er koblet til en strømkilde.
- Oppbevar emballasjen (plastposer, pappmellomlegg osv.) utenfor barns rekkevidde – den er ikke et leketøy.
- Ikke berør de varme overflatene på apparatet mens det er i bruk.
- Dette apparatet er utviklet for å male bønner og lage kaffe. Bruk det riktig og forsiktig for å unngå å bli skåldet av varmt vann og damp.
- Du må ikke bruke apparatet hvis støpselet, ledningen eller selve apparatet er ødelagt.

- Hvis det oppstår et problem du ikke kan løse ved hjelp av denne brukerveiledningen, tar du kontakt med forbrukersenteret i landet der du bor. Hvis problemet ikke kan løses, tar du apparatet med til et servicesenter som er godkjent av Philips, for å få det undersøkt eller reparert. Ikke prøv å reparere apparatet selv. Hvis du gjør det, vil ikke garantien gjelde lenger.

3.3 Forsiktig

- Ikke plasser apparatet på en varm overflate, og pass på at ledningen ikke kommer i kontakt med varme overflater.
- Koble fra apparatet før du rengjør det, og hvis det oppstår problemer under malingen eller traktingen.
- Kannen er varm under og etter traktingen. Hold den alltid i håndtaket.
- Ikke sett kannen i en mikrobølgeovn.
- Ikke flytt på apparatet når det er i bruk.
- Vent til apparatet har blitt avkjølt før du setter det bort. Varmeplaten og kaffekannen kan være varm.
- Etter at du har pakket ut apparatet, må du kontrollere at det er helt og uskadet. Hvis du er i tvil, må du ikke bruke apparatet, men ta kontakt med kundesenteret i landet der du bor.
- Dette apparatet er kun beregnet for vanlig bruk i hjemmet. Det er ikke beregnet for bruk på f.eks. bedriftskjøkken, butikker, kontorer, bondegårder eller andre arbeidsmiljøer. Det er heller ikke beregnet for å brukes av kunder på hoteller, moteller eller i andre typer bomiljøer.

3.4 Elektromagnetiske felt (EMF)

Dette Philips-apparatet overholder alle standarder som gjelder for elektromagnetiske felt (EMF). Hvis det håndteres riktig og i samsvar med instruksjonene i denne brukerhåndboken, er det trygt å bruke det ut fra den kunnskapen vi har per dags dato.

4 Før første gangs bruk

4.1 Skylle apparatet

Du må skylle kaffetrakteren én gang før bruk.

- 1 Sett støpselet i stikkontakten.
 - *Start/standby-knappen lyser.*
- 2 Trykk på start/standby-knappen (fig. 2).
 - *Displayet lyser, og apparatet piper.*

Merk:

Hvis du ikke trykker på noen knapper innen fem minutter, går apparatet over i standbymodus. Når dette skjer, slås skjermen av og bare start/standby-knappen blir stående på for å indikere at apparatet fortsatt er på. I standbymodus kan du trykke på hvilken som helst knapp for å slå apparatet på igjen.

- 3 Åpne lokket på vannbeholderen. Fyll vannbeholderen med kaldt vann opp til **indikatoren for 10 kopper (fig. 3).**

Merk:

Ikke legg kaffebønner eller malt kaffe i apparatet.

- 4 Lukk lokket til vannbeholderen.
- 5 Sett kannen på varmeplaten (fig. 4).

Merk:

Kontroller at lokket er satt på kannen, og at kannen er plassert riktig på varmeplaten. Tuten på kannen må peke inn mot apparatet. Hvis lokket ikke er på kannen, eller kannen ikke er riktig plassert, aktiveres dryppstoppfunksjonen automatisk (se delen Dryppstoppfunksjonen i avsnittet Bruke apparatet).

- 6 Trykk på start/standby-knappen (fig. 5).
 - *Apparatet piper og ferskhetsindikatoren vises på skjermen.*
- 7 Trykk på knappen for forhåndsmaling av kaffe for å slå av maleren (fig. 6).
 - *Knappen lyser når du trykker på den.*

⊖ Merk:

Når du slår av maleren, vises ikke antall kopper og styrkeinnstillingen på skjermen.

8 Trykk på start/standby-knappen for å starte trakteprosessen (fig. 7).

9 La apparatet arbeide til alt vannet har rent ned i kannen.

- *Kaffetrakteren piper 5 ganger når trakteprosessen er ferdig.*

10 Trykk på start/standby-knappen for å avslutte prosessen med å trakte / holde varm. (fig. 5)

11 Tøm kannen.

5 Bruke apparatet

5.1 Fylle vanntanken

1 Åpne lokket på vannbeholderen, og fyll vannbeholderen med mengden kaldt vann som kreves (fig. 3).

Det er indikatorer for 2 til 10 kopper (275 til 1375 ml) på vannnivåvinduets og på kannen. Du kan bruke disse indikatorene til å bestemme hvor mye vann du skal ha i vannbeholderen. Husk at mengden traktet kaffe vil være litt mindre siden den malte kaffen absorberer vannet.

*** Tips:**

Bruk kannen til å fylle vannbeholderen med den mengden vann som kreves.

⊖ Merk: (fig. 8)

Ikke fyll vannbeholderen over indikatoren for 10 kopper: Da vil det komme vann ut av åpningen bak.

5.2 Bruke kaffebønner

⚠ Advarsel:

Ikke legg espresso-kaffebønner i kaffebønnebeholderen. Bruk kun vanlige kaffebønner.

⚠ Advarsel:

Hold alltid lokket på vannbeholderen lukket når du fyller kaffebønnebeholderen med kaffebønner. Hvis ikke kan kaffebønner falle ned i vannbeholderen og blokkere vanninntaket.

1 Trykk på åpne-knappen (OPEN) på høyre side av apparatet for å åpne filterkurvholderen. (fig. 9)

2 Plasser et papirfilter (nummer 4) i filterkurven for å samle opp den malte kaffen. (fig. 10)

3 Ta av lokket på kaffebønnebeholderen (1), og fyll beholderen med kaffebønner (2). Sørg for at det er nok kaffebønner i beholderen for den mengden kaffe du ønsker å trakte (fig. 11).

⊖ Merk:

Sørg alltid for at bønnebeholderen er minst halvfull.

⚠ Advarsel:

Maksimumkapasiteten til kaffebønnebeholderen er 250 g. Ikke overskrid denne mengden for å forhindre at maleren låser seg.

⚠ Advarsel:

Ikke bruk uristede eller karamelliserte bønner for å forhindre at maleren låser seg.

4 Vri på bryteren for malevalg for å velge ønsket type maling, fra fin til grov. Det finnes ni forskjellige maleinnstillinger (fig. 12).

*** Tips:**

Vi anbefaler at du prøver deg frem med ulike maleinnstillinger til du finner den du foretrekker.

5 For å velge antall kopper trykker du på knappen for 2–10 kopper så mange ganger som det antallet kopper du ønsker (fig. 13).

- *Knappen for 2–10 kopper begynner å lyse når du trykker på den.*
- *Det valgte antallet kopper vises på skjermen.*

Merk:

Apparatet bruker alt vannet i vanntanken. Kontroller at antallet kopper du velger med knappen for 2–10 kopper, tilsvarer mengden vann du har helt i vannbeholderen. Hvis du velger et antall kopper som er lavere enn mengden vann, blir kaffen svakere enn beregnet.

- Trykk på knappen **STRENGTH** én eller flere ganger til ønsket kaffestyrke er valgt (mild, medium eller sterk) (fig. 14).
 - *Knappen **STRENGTH** lyser når du trykker på den.*
 - *Skjermen viser den valgte kaffestyrken.*
- Trykk på start/standby-knappen for å starte trakteprosessen (fig. 15).

Advarsel:

Hold avstand fra dampventilen under traktingen, siden det kommer varm damp ut av ventilen.

- *Maleren maler det nødvendige antallet kaffebønner.*
- *Ferskhetsindikatoren blinker raskt på skjermen til trakteprosessen er ferdig (fig. 16).*
- *Kaffetrakteren piper fem ganger når trakteprosessen er ferdig.*
- *Varmeplaten slår seg på automatisk.*

Advarsel:

Ikke ta på varmeplaten mens den er på, siden den blir varm.

- Vent til kaffetrakteren har stoppet å pipe før du fjerner kannen fra varmeplaten.

Merk:

Etter traktingen drypper det kaffe fra filterkurven i flere sekunder.

- *Ferskhetsindikatoren blinker sakte på skjermen i 120 minutter etter traktingen for å vise at kaffen er fersk.*

- Hvis du ikke trenger varmeplaten for å holde kaffen varm, trykker du på start/standby-knappen for å sette apparatet i standby-modus (fig. 17).

- *Apparatet gir et langt pip og start/standby-knappen lyser kontinuerlig for å indikere at apparatet fortsatt er slått på.*

Merk:

Hvis du ikke trykker på start/standby-knappen for å sette apparatet i standbymodus, går apparatet automatisk over i standbymodus etter 120 minutter. Start/standby-knappen blir stående på for å indikere at apparatet fortsatt er koblet til strømmettet.

Merk:

Du kan trykke på hvilken som helst knapp for å aktivere apparatet og trakte igjen.

5.3 Bruke forhåndsmalt kaffe

Hvis du ønsker å bruke forhåndsmalt kaffe i stedet for kaffebønner, følger du trinnene nedenfor:

- Fyll vannbeholderen med vann, som beskrevet i Fulle vannbeholderen.
- Trykk på åpne-knappen (OPEN) på høyre side av apparatet for å åpne filterkurvholderen. (fig. 9)
- Plasser et papirfilter (nummer 4) i filterkurven. (fig. 18)
- Trykk på knappen for forhåndsmaling av kaffe for å slå av maleren (fig. 6)
 - *Knappen lyser når du trykker på den.*

Merk:

Når du slår av maleren, vises ikke antall kopper og styrkeinnstillingen på skjermen.

- Legg den forhåndsmalte kaffen i papirfilteret eller i det permanente filteret.

Merk:

Hvor mye forhåndsmalt kaffe du bruker, avhenger av hva du ønsker. For en middels sterk kopp kaffe bruker du én måleskje (ca. 6 g) for hver kopp (125 ml).

- 6 Lukk filterkurvholderen, og plasser kannen på varmeplaten.
- 7 Følg trinn 7, 8 og 9 i delen Bruke kaffebønner.

5.4 Dryppstoppfunksjon

Dryppstoppfunksjonen gjør at du kan fjerne kannen fra kaffetrakteren før traktesyklusen er ferdig. Når du fjerner kannen, sørger dryppstoppfunksjonen for at det slutter å renne kaffe inn i kannen.

Merk:

Trakteprosessen stopper ikke når du fjerner kannen. Hvis du ikke setter kannen tilbake på varmeplaten innen 20 sekunder, renner filterkurven over.

6 Rengjøring og vedlikehold

6.1 Rengjør etter hver gangs bruk

Advarsel:

Apparatet må ikke senkes ned i vann eller annen væske, og det må heller ikke skylles under rennende vann.

- 1 Ta ut støpselet av stikkontakten.
- 2 Tørk utsiden av kaffetrakteren og varmeplaten med en fuktig klut.
- 3 Rengjør filterkurven og glasskannen med varmt vann og litt oppvaskmiddel, eller gjør dem rene i oppvaskmaskinen.

6.2 Rengjøre kaffebønnerennen

Du må rengjøre kaffebønnerennen hver eller annenhver uke, avhengig av hvor ofte den brukes.

- 1 Sett støpselet i stikkontakten.
- 2 Trykk på start/standby-knappen (fig. 2).
 - **Start/standby-knappen og displayet begynner å lyse.**
- 3 Trykk på start/standby-knappen, deretter tar du støpselet ut av stikkontakten.
- 4 Sett den flate enden av rengjøringsbørsten inn i rennelåsen, og vri låsen til åpen posisjon. (fig. 19)
- 5 Åpne lokket på kaffebønnerennen (fig. 20).
- 6 Bruk rengjøringsbørsten til å børste restene av den malte kaffen inn i den lavere delen av rennen (fig. 21).

Tips:

Plasser et papirfilter i filterkurven for å samle opp den malte kaffen.

- **Restene av den malte kaffen faller ned i filterkurven**
- 7 Lukk lokket på kaffebønnerennen, og vri låsen til låst posisjon (fig. 22).
 - 8 Ta ut papirfilteret med restene av den malte kaffen, og kast det i søppelet.

6.3 Avkalke kaffetrakteren

Når meldingen CALC vises på skjermen (etter ca. 60 trakteprosesser), må du avkalke kaffetrakteren, siden kalk kan tette den.

Regelmessig avkalking forlenger apparatets levetid og garanterer best mulig trakteresultat og en konstant traktetid i lang tid. Avkalk apparatet:

- hver 120. traktesyklus hvis du bruker mykt vann (opptil 18 dH)
- hver 60. traktesyklus hvis du bruker hardt vann (over 18 dH)

Du kan kontakte det lokale vannverket hvis du trenger informasjon om vannets hardhetsgrad der du bor.

Merk:

Hvis du ikke kjenner vannets hardhetsgrad der du bor, og ikke kan kontakte det lokale vannverket, anbefaler vi at du avkalker apparatet hver gang meldingen CALC vises på displayet.

Merk:

For å fjerne meldingen CALC fra displayet trykker du på knappen for 2–10 kopper og knappen STRENGTH samtidig.

- 1 Åpne lokket til vannbeholderen.
- 2 Fyll vannbeholderen med 7 kopper hvit eddik (4 %) og 3 kopper vann (fig. 23).
- 3 Plasser et papirfilter (no. 4) i filterkurven, og lukk filterkurvholderen.
- 4 Sett den tomme kannen på varmeplaten (fig. 4).
- 5 Sett støpselet i stikkontakten.
- 6 Trykk på start/standby-knappen.
- 7 Trykk på knappen for malt kaffe for å slå av kvernen. Deretter trykker du på start/standby-knappen for å starte trakteprosessen.
- 8 Vent til halvparten av eddikblandingen har rent ned i kannen. Deretter trykker du på start/standby-knappen for å stoppe trakteprosessen og la blandingen ligge i minst 15 minutter.
- 9 Trykk på start/standby-knappen for å slå på kaffetrakteren igjen, og vent til resten av blandingen har rent ned i kannen. Deretter trykker du på start/standby-knappen for å sette apparatet i standbymodus.
- 10 Tøm kannen, og kast papirfilteret.
- 11 Fyll vannbeholderen med kaldt vann, og trykk på start/standby-knappen for å starte en ny trakteprosess. La kaffetrakteren fullføre hele trakteprosessen, og tøm kannen.
- 12 Gjenta trinn 12 til vannet ikke lenger smaker eller lukter eddik.
- 13 Rengjør filterkurven og kannen med varmt vann og litt oppvaskmiddel.

7 Bestille tilbehør

Hvis du vil kjøpe tilbehør eller reservedeler, kan du gå til www.shop.philips.com/service eller gå til en Philips-forhandler. Du kan også ta kontakt med Philips' forbrukerstøtte i landet der du bor (se i garantiheftet for kontaktinformasjon).

8 Miljø

- Ikke kast apparatet som vanlig husholdningsavfall når det ikke kan brukes lenger. Lever det på en gjenvinningsstasjon. Slik bidrar du til å ta vare på miljøet (fig. 24).

9 Garanti og støtte

Hvis du trenger kundestøtte eller informasjon, kan du gå til www.philips.com/support eller lese i garantiheftet.

10 Feilsøking

Dette avsnittet gir en oppsummering av de vanligste problemene som kan oppstå med apparatet. Hvis du ikke kan løse problemet ved hjelp av informasjonen nedenfor, kan du gå til www.philips.com/support for å se en liste over vanlige spørsmål, eller du kan kontakte forbrukerstøtten i landet der du bor.

Apparatet virker ikke.

- Kontroller at spenningen som er angitt på apparatet, stemmer overens med nettspenningen.
- Fyll vannbeholderen med vann.

Når jeg bruker maleren, er kaffen for svak.

- Sørg for at antallet kopper du velger med knappen for 2–10 kopper, passer til mengden vann i vannbeholderen. Husk at apparatet bruker alt vannet i vannbeholderen.
- Bruk knappen STRENGTH for å angi kaffestyrken til sterk.
- Når du bruker kaffebønner, må du sørge for ikke å trykke på knappen for forhåndsmalt kaffe, siden maleren da blir slått av.
- Bruk kaffebønner fra en sterkere blanding eller smak.
- For å øke kaffestyrken velger du et høyere antall kopper med knappen for 2–10 kopper enn antall kopper du fyller oppi vannbeholderen.

Når jeg bruker forhåndsmalt kaffe, blir kaffen for svak.

- Sørg for at mengden med forhåndsmalt kaffe i filteret passer til mengden vann i vannbeholderen. Husk at apparatet bruker alt vannet i vannbeholderen.
- Bruk malt kaffe fra en sterkere blanding eller smak.
- For å øke styrken på kaffen kan du øke mengden forhåndsmalt kaffe eller redusere mengden vann.

Filteret renner over når jeg fjerner kannen fra apparatet mens det trakter kaffe.

- Hvis du fjerner kannen i mer enn 20 sekunder i løpet av trakteprosessen, gjør dryppstoppen at filterkurven renner over. Vær også oppmerksom på at kaffen ikke blir så smakfull som den skal være, før på slutten av trakteprosessen. Derfor anbefaler vi at du ikke fjerner kannen og heller ut kaffe før trakteprosessen er ferdig.

Apparatet fortsetter å dryppe lenge etter at trakteprosessen er ferdig.

- Dryppingen forårsakes av kondens fra dampen. Det er helt normalt at apparatet drypper en stund.
- Hvis dryppingen ikke stopper, kan det hende at dryppstoppen er blokkert. Du rengjør dryppstoppen ved å trykke på åpneknappen (OPEN-knappen) på høyre side av apparatet for å åpne filterkurvholderen. Ta ut filterkurven. Skyll deretter filterkurven og dryppstoppen under springen.
- Hvis du fjerner kannen i mer enn 20 sekunder i løpet av trakteprosessen, fører dryppstoppet til at filterkurven renner over.

Kaffen er ikke varm nok.

- Kontroller at kannen er riktig plassert på varmeplaten.
- Sørg for at varmeplaten og bunnen på kannen er ren.
- Bruk tynne kopper ettersom de absorberer mindre varme fra kaffen enn tykke kopper.
- Ikke bruk melk som kommer direkte fra kjøleskapet.
- Avkalk apparatet. Se delen Avkalkning i kapitlet Rengjøring og vedlikehold.

1 Introdução

Parabéns pela sua compra e bem-vindo à Philips! Para tirar todo o partido da assistência fornecida pela Philips, registre o seu produto em www.philips.com/welcome.

2 Descrição geral (fig. 1)

- 1 Cesto porta-filtro
- 2 Sistema anti-pingos
- 3 Bloqueio da entrada dos grãos de café
- 4 Botão de selecção da moagem
- 5 Visor
- 6 Botão STRENGTH
- 7 Botão de 2-10 chávenas
- 8 Suporte do cesto porta-filtro
- 9 Tampa de jarro
- 10 Jarro de vidro
- 11 Placa de aquecimento
- 12 Orifício de escoamento
- 13 Depósito de água com janela indicadora do nível da água
- 14 Botão OPEN para o suporte do cesto porta-filtro
- 15 Botão ligar/desligar, iniciar/em espera
- 16 Botão para café pré-moído
- 17 Ventilação do vapor
- 18 Tampa da entrada dos grãos de café
- 19 Tampa do reservatório para água
- 20 Compartimento para grãos de café
- 21 Tampa do compartimento para grãos de café
- 22 Escova de limpeza

3 Importante

Leia cuidadosamente este manual do utilizador antes de utilizar o aparelho e guarde-o para consultas futuras.

3.1 Perigo

- Nunca mergulhe o aparelho em água ou noutro líquido, nem o enxagúe em água corrente.

3.2 Aviso

- Verifique se a voltagem indicada na parte inferior do aparelho corresponde à voltagem eléctrica local, antes de ligar o aparelho.
- Se o fio estiver danificado, deve ser sempre substituído pela Philips, por um centro de assistência autorizado da Philips ou por pessoal devidamente qualificado para se evitarem situações de perigo.
- Este aparelho não se destina a ser utilizado por pessoas (incluindo crianças) com capacidades físicas, sensoriais ou mentais reduzidas, ou com falta de experiência e conhecimentos, salvo se tiverem recebido supervisão ou instruções sobre o uso do aparelho por alguém responsável pela sua segurança.
- As crianças devem ser supervisionadas para garantir que não brincam com o aparelho.
- Mantenha o fio de alimentação fora do alcance das crianças. Não deixe o fio de alimentação suspenso na mesa ou na bancada da cozinha onde o aparelho estiver colocado.
- Não toque nas mós do aparelho, especialmente quando este se encontra ligado à corrente.
- Mantenha os materiais de embalagem (sacos de plástico, protecções em cartão, etc.) fora do alcance das crianças, visto que estes não são brinquedos.
- Não toque nas superfícies quentes do aparelho enquanto este se encontra em funcionamento.

- Esta máquina foi concebida para moer grãos e fazer café. Utilize-a correctamente e com cuidado para evitar queimar-se com água quente ou vapor.
- Não utilize o aparelho se a ficha, o fio de alimentação ou o próprio aparelho estiverem danificados.
- Se surgir um problema impossível de resolver com a ajuda deste manual do utilizador; entre em contacto com o Centro de Assistência ao Cliente do seu país. Se não for possível resolver o problema, leve o aparelho para um centro de assistência autorizado pela Philips para este ser verificado ou reparado. Não tente reparar o aparelho sozinho, porque a garantia perde a validade.

3.3 Cuidado

- Não coloque o aparelho sobre uma superfície quente e evite que o fio entre em contacto com superfícies quentes.
- Desligue o aparelho da corrente se ocorrer algum problema durante a moagem ou preparação de café e antes de o limpar.
- O jarro está quente durante e após o processo de preparação do café. Segure o jarro sempre pela pega.
- Nunca coloque o jarro no microondas.
- Não mova o aparelho durante o seu funcionamento.
- Aguarde até o aparelho arrefecer antes de o guardar. A placa de aquecimento e o jarro do café podem estar quentes.
- Depois de desembalar a máquina, certifique-se de que ela está completa e não apresenta danos. Se tiver alguma dúvida, contacte o Centro de Apoio ao Cliente do seu país antes de utilizar a máquina.
- Este aparelho destina-se apenas à utilização doméstica normal. Não se destina a ambientes como copas de pessoal em lojas, escritórios, quintas e outros ambientes de trabalho. Também não é adequado para a utilização por clientes em hotéis, motéis, estalagens e outros ambientes residenciais.

3.4 Campos electromagnéticos (CEM)

Este aparelho da Philips respeita todas as normas relacionadas com campos electromagnéticos (CEM). Se for manuseado correctamente e de acordo com as instruções neste manual do utilizador, este aparelho proporciona uma utilização segura, como demonstrado pelas provas científicas actualmente disponíveis.

4 Antes da primeira utilização

4.1 Limpeza do aparelho

Deve limpar a máquina de café uma vez antes da primeira utilização.

- 1 Introduza a ficha de alimentação na tomada eléctrica.
 - *O botão iniciar/em espera acende-se.*
- 2 Prima o botão iniciar/em espera (fig. 2).
 - *O visor acende-se e aparelho emite sinais sonoros.*

Nota:

Se não premir nenhum botão num intervalo de 5 minutos, o aparelho passa para o modo de espera. Neste caso, o visor apaga-se e apenas o botão iniciar/em espera se mantém aceso para indicar que o aparelho continua ligado. No modo de espera, pode premir qualquer botão para reactivar o aparelho.

- 3 Abra a tampa do depósito de água. Encha o depósito de água com água fria fresca **até à indicação para 10 chávenas** (fig. 3).

Nota:

Não coloque grãos de café nem café moído no aparelho.

- 4 Feche a tampa do reservatório de água.
- 5 Coloque o jarro sobre a placa de aquecimento (fig. 4).

Nota:

Assegure-se de que a tampa se encontra no jarro e de que este está colocado na placa de aquecimento. O bico do jarro tem de estar voltado para o aparelho. Se a tampa não estiver no jarro ou se este não estiver colocado correctamente, a função anti-pingos é activada automaticamente (consulte o capítulo "Utilizar o aparelho", secção "Função anti-pingos").

- 6 Prima o botão iniciar/em espera (fig. 5).
 - *O aparelho emite um sinal sonoro e o indicador de frescura é apresentado no visor.*
- 7 Prima o botão do café pré-moído para desligar o moinho (fig. 6).
 - *O botão acende-se quando é premido.*

Nota:

Quando desliga o moinho, o número de chávenas e a regulação da intensidade não são apresentados no visor.

- 8 Prima o botão iniciar/em espera para iniciar o processo de preparação (fig. 7).
- 9 Deixe o aparelho funcionar até toda a água passar para o jarro.
 - *A máquina de café emite 5 sinais sonoros quando o processo de preparação de café estiver concluído.*
- 10 Prima o botão iniciar/em espera para parar o processo de preparação/ manter quente. (fig. 5)
- 11 Esvazie o jarro.

5 Utilizar o aparelho

5.1 Encher o reservatório da água

- 1 Abra a tampa do depósito da água e encha-o com a quantidade necessária de água fria (fig. 3).

Há indicações para 2 a 10 chávenas (275 ml a 1375 ml) na janela indicadora do nível da água e no jarro. Pode utilizar estas indicações para determinar quanta água deve colocar no reservatório de água. Lembre-se de que a quantidade de café preparado será um pouco menos, visto que o café moído absorve água.

Sugestão:

Utilize o jarro para encher o depósito de água com a quantidade de água necessária.

Nota: (fig. 8)

Não encha o depósito da água além da indicação de 10 chávenas, caso contrário é derramada água pela abertura na parte posterior.

5.2 Utilizar grãos de café

Aviso:

Não coloque grãos para café expresso no recipiente de grãos de café. Utilize apenas grãos de café normais.

Aviso:

Mantenha sempre a tampa do depósito da água fechada, enquanto enche o recipiente de grãos de café com grãos de café. Caso contrário, podem cair grãos de café no depósito de água e bloquear a entrada da água.

- 1 Prima o botão OPEN do lado direito do aparelho para abrir o suporte do cesto porta-filtro. (fig. 9)
- 2 Coloque um filtro de papel (n.º 4) no cesto porta-filtro para recolher o café moído. (fig. 10)

- 3** Retire a tampa do compartimento para grãos de café (1) e encha o recipiente com grãos de café (2). Assegure-se de que há grãos de café suficientes no recipiente para a quantidade de café que pretende preparar (fig. 11).

Nota:

Assegure-se sempre de que o recipiente para grãos está, no mínimo, meio.

Aviso:

A capacidade máxima do recipiente para grãos de café é de 250 g. Para evitar que o moinho encrave, não exceda esta quantidade.

Aviso:

Para evitar que o moinho encrave, não utilize grãos caramelizados ou não torrados.

- 4** Rode o botão de selecção da moagem para seleccionar o tipo desejado de moagem (de fina a grossa). Existem nove regulações de moagem (fig. 12).

Sugestão:

Aconselhamo-lo a experimentar diferentes definições de moagem para descobrir a sua definição preferida.

- 5** Para seleccionar o número de chávenas, prima o botão de 2-10 chávenas tantas vezes como o número de chávenas pretendido (fig. 13).
- *O botão de 2-10 chávenas acende quando é premido.*
 - *O número seleccionado de chávenas é apresentado no visor.*

Nota:

O aparelho utiliza toda a água no reservatório de água. Certifique-se de que o número de chávenas seleccionado com o botão de 2-10 chávenas é igual à quantidade de água no respectivo depósito. Se seleccionar um número de chávenas menor do que a quantidade de água, o café torna-se mais fraco do que o pretendido.

- 6** Prima o botão STRENGTH uma ou várias vezes até a intensidade de café desejada estar seleccionada (suave, médio ou forte) (fig. 14).

- *O botão STRENGTH acende-se quando é premido.*
- *O visor apresenta a intensidade do café seleccionada.*

- 7** Prima o botão iniciar/em espera para iniciar o processo de preparação (fig. 15).

Aviso:

Mantenha-se afastado da saída de vapor durante a preparação, devido à fuga de vapor quente pelas aberturas de ventilação.

- *O moinho mói a quantidade necessária de grãos de café.*
- *O indicador de frescura apresenta uma intermitência rápida no visor até o processo de preparação de café estar concluído (fig. 16).*
- *A máquina de café emite 5 sinais sonoros quando o processo de preparação de café estiver concluído.*
- *A placa de aquecimento liga-se automaticamente.*

Aviso:

Não toque na placa de aquecimento enquanto esta está ligada, visto que esta aquece.

- 8** Espere até a máquina de café parar de emitir sinais sonoros antes de retirar o jarro da placa de aquecimento.

Nota:

Após a preparação, pinga café do cesto porta-filtro durante alguns segundos.

- *O indicador de frescura apresenta uma intermitência lenta no visor durante 120 minutos após a preparação, para indicar que o café está fresco.*

9 Se não necessitar que a placa de aquecimento mantenha o café quente, prima o botão iniciar/em espera para colocar o aparelho no modo de espera (fig. 17).

- *O aparelho emite um sinal sonoro longo e o botão iniciar/em espera mantém-se aceso para indicar que o aparelho continua ligado.*

 **Nota:**

Se não premir o botão iniciar/em espera para colocar o aparelho no modo de espera, este entra automaticamente em modo de espera depois de decorridos 120 minutos. O botão iniciar/em espera permanece aceso para indicar que o aparelho continua ligado à corrente.

 **Nota:**

Pode premir qualquer botão para activar o aparelho e preparar café novamente.

5.3 Utilizar café pré-moído

Se quiser utilizar café pré-moído em vez de grãos de café, siga os passos abaixo.

- 1** Encha o depósito da água, como descrito em “Encher o depósito da água”.
- 2** Prima o botão OPEN do lado direito do aparelho para abrir o suporte do cesto porta-filtro. (fig. 9)
- 3** Coloque um filtro de papel (n.º 4) no cesto porta-filtro. (fig. 18)
- 4** Prima o botão do café pré-moído para desligar o moinho (fig. 6).
 - *O botão acende-se quando é premido.*

 **Nota:**

Quando desliga o moinho, o número de chávenas e a regulação da intensidade não são apresentados no visor.

- 5** Coloque o café pré-moído no filtro de papel ou no filtro permanente.

 **Nota:**

A quantidade de café pré-moído que utiliza é uma questão de gosto pessoal. Para um café médio a forte, utilize uma colher de medição (aproximadamente 6 g) para cada chávena (125 ml).

6 Feche o suporte do cesto porta-filtro e coloque o jarro na placa de aquecimento.

7 Siga os passos 7, 8 e 9 na secção “Utilizar grãos de café”.

5.4 Função anti-pingos

A função anti-pingos permite-lhe retirar o jarro da máquina de café antes do processo de preparação de café estar terminado. Quando retira o jarro, a função anti-pingos pára o fluxo de café para o jarro.

 **Nota:**

O processo de preparação de café não pára quando retira o jarro. Se não voltar a colocar o jarro na placa de aquecimento num espaço de 20 segundos, o cesto porta-filtro transborda.

6 Limpeza e manutenção

6.1 Limpeza após cada utilização

 **Aviso:**

Nunca mergulhe o aparelho em água ou noutro líquido, nem o enxagúe em água corrente.

- 1** Retire a ficha de alimentação da tomada.
- 2** Limpe o exterior da máquina de café e a placa de aquecimento com um pano húmido.
- 3** Lave o cesto porta-filtro e o jarro em vidro com água quente e um pouco de detergente ou coloque-os na máquina de lavar loiça.

6.2 Limpar a entrada dos grãos de café

Tem de limpar a entrada dos grãos de café a cada 1 a 2 semanas, dependendo da frequência de utilização.

- 1** Introduza a ficha de alimentação na tomada eléctrica.
- 2** Prima o botão iniciar/em espera (fig. 2).

- **O botão iniciar/em espera e o visor acendem.**

- 3 Prima o botão iniciar/em espera e retire a ficha de alimentação da tomada eléctrica.
- 4 Insira a extremidade plana da pega da escova de limpeza no bloqueio da entrada e rode o bloqueio para a posição "aberta". (fig. 19)
- 5 Abra a tampa da entrada dos grãos de café (fig. 20).
- 6 Utilize a escova de limpeza para varrer os resíduos de café moído para a parte inferior da entrada (fig. 21).

Sugestão:

Coloque um filtro de papel no cesto porta-filtro para recolher o café moído.

- **Os resíduos de café moído caem no cesto porta-filtro.**

- 7 Feche a tampa da entrada dos grãos de café e rode o bloqueio para a posição "fechada" (fig. 22).
- 8 Retire o filtro de papel com os resíduos de café moído e elimine-o.

6.3 Descalcificação da máquina de café

Quando a mensagem "CALC" for apresentada no visor (depois de aprox. 60 processos de preparação de café), deve remover o calcário da máquina de café, visto que o calcário pode obstruir a máquina de café.

Uma descalcificação regular prolonga a vida do aparelho e garante um café impecável e um tempo de preparação constante durante um longo período de tempo. Descalcifique o aparelho:

- a cada 120 ciclos de preparação, se utilizar água macia (até 18 dH).
- a cada 60 ciclos de preparação, se utilizar água dura (sobre 18 dH).

Pode contactar a companhia das águas local para se informar sobre o grau de dureza da água da sua área.

Nota:

Se não conhecer a dureza da água na sua área e não for possível contactar a direcção da companhia das águas local, aconselhamo-lo a proceder à descalcificação do aparelho sempre que a mensagem "CALC" for apresentada no visor.

Nota:

Para eliminar a mensagem "CALC" do visor; prima o botão de 2-10 chávenas e o botão STRENGTH em simultâneo.

- 1 Abra a tampa do depósito de água.
- 2 Encha o depósito da água com 7 chávenas de vinagre branco (4% de ácido acético) e 3 chávenas de água.depositado (fig. 23)
- 3 Coloque um filtro de papel (número 4) no cesto porta-filtro e feche o suporte do cesto porta-filtro.
- 4 Coloque o jarro vazio sobre a placa de aquecimento (fig. 4).
- 5 Introduza a ficha de alimentação na tomada eléctrica.
- 6 Prima o botão iniciar/em espera.
- 7 Prima o botão do café pré-moído para desligar o moinho. Em seguida, prima o botão iniciar/em espera para iniciar o processo de preparação de café.
- 8 Aguarde até metade da solução de vinagre/água fluir para o jarro. De seguida, prima o botão iniciar/em espera para parar o processo de preparação de café e deixar a solução a actuar durante 15 minutos, no mínimo.
- 9 Prima o botão iniciar/em espera para voltar a ligar a máquina de café e aguarde até o resto da solução fluir para o jarro. De seguida, prima o botão iniciar/em espera para colocar o aparelho no modo de espera.
- 10 Esvazie o jarro e coloque o filtro de papel no lixo.
- 11 Encha o depósito de água com água fria e prima o botão iniciar/em espera para iniciar outro processo de preparação de café. Deixe a máquina de café completar um processo completo de preparação de café e esvazie o jarro.

- 12 Repita o passo 12 até a água não apresentar um sabor ou cheiro a vinagre.
- 13 Lave o cesto porta-filtro e o jarro com água quente e algum detergente da loiça.

7 Encomendar acessórios

Para comprar acessórios ou peças sobressalentes, visite www.shop.philips.com/service ou vá ao seu revendedor Philips. Também pode contactar o Centro de Apoio ao Cliente da Philips no seu país (consulte os detalhes de contacto no folheto da garantia mundial).

8 Meio ambiente

- Não elimine o aparelho juntamente com os resíduos domésticos normais no final da sua vida útil. Entregue-o num ponto de recolha autorizado para reciclagem. Ao fazê-lo, ajuda a preservar o meio ambiente (fig. 24).

9 Garantia e assistência

Se precisar de informações ou assistência, visite www.philips.com/support ou leia o folheto da garantia mundial em separado.

10 Resolução de problemas

Este capítulo resume os problemas mais comuns que podem surgir no aparelho. Se não conseguir resolver o problema com as informações fornecidas a seguir, visite www.philips.com/support para consultar uma lista de perguntas frequentes ou contacte o Centro de Apoio ao Cliente no seu país.

- aparelho não funciona.
- Certifique-se de que a voltagem indicada no aparelho corresponde à voltagem eléctrica local.
- Encha o reservatório com água.

Quando utilizo o moinho, o café fica demasiado fraco.

- Assegure-se de que o número de chávenas que selecciona com o botão de 2-10 chávenas corresponde à quantidade de água no respectivo reservatório. Lembre-se de que o aparelho utiliza toda a água no reservatório de água.
- Utilize o botão STRENGTH para regular a intensidade do café para "forte".
- Quando utiliza grãos de café, assegure-se que não prime o botão do café pré-moído, visto que isto desliga o moinho.
- Utilize grãos de café de uma mistura ou com um sabor mais forte.
- Para aumentar a intensidade do café, seleccione um número de chávenas com o botão de 2-10 chávenas superior ao número de chávenas que colocou no reservatório de água.

Quando utilizo café pré-moído, o café fica demasiado fraco.

- Assegure-se de que a quantidade de café pré-moído no filtro corresponde à quantidade de água no reservatório de água. Lembre-se de que o aparelho utiliza toda a água no reservatório de água.
- Utilize café moído de uma mistura ou com um sabor mais forte.
- Para aumentar a intensidade do café, aumente a quantidade de café pré-moído ou diminua a quantidade de água.

O filtro transborda quando retiro o jarro do aparelho enquanto o café está em preparação.

- Se retirar o jarro durante mais de 20 segundos durante o processo de preparação de café, a função anti-pingos provoca um transbordo do cesto porta-filtro. Tenha também em atenção que o café não alcança o máximo de sabor antes do final do processo de preparação de café. Portanto, aconselhamo-lo a não retirar o jarro para servir café antes do final do processo de preparação do mesmo.

O aparelho continua a pingar durante muito tempo depois do processo de preparação terminar:

- Os pingos são provocados pela condensação de vapor. É totalmente normal que o aparelho pingue durante algum tempo.
- Se os pingos não pararem, o sistema anti-pingos poderá estar obstruído. Para limpar o sistema anti-pingos, prima o botão OPEN no lado direito do aparelho para abrir o suporte do cesto porta-filtro. Retire o cesto porta-filtro. Enxagúe o cesto porta-filtro e o sistema anti-pingos em água corrente.
- Se retirar o jarro durante mais de 20 segundos durante o processo de preparação de café, a função anti-pingos provoca o transbordo do cesto porta-filtro.

O café não está bem quente.

- Certifique-se de que o jarro está colocado correctamente na placa de aquecimento.
- Certifique-se de que a placa de aquecimento e o fundo do jarro estão limpos.
- Utilize chávenas de paredes finas, visto que estas absorvem menos o calor do café do que as chávenas de paredes grossas.
- Não utilize leite directamente do frigorífico.
- Remova o calcário do aparelho. Consulte a secção “Descalcificação” no capítulo “Limpeza e manutenção”.

1 Introduktion

Grattis till inköpet och välkommen till Philips!
För att dra maximal nytta av den support som Philips erbjuder kan du registrera din produkt på www.philips.com/welcome.

2 Allmän beskrivning (Bild 1)

- 1 Filterkorg
- 2 Droppstopp
- 3 Lås för rännan för kaffeböner
- 4 Vred för val av malning
- 5 Teckenfönster
- 6 Knapp för val av kaffestyrka
- 7 Knapp för 2-10 koppar
- 8 Filterkorghållare
- 9 Kannlock
- 10 Glaskanna
- 11 Värmeplatta
- 12 Översvämningshåll
- 13 Vattenbehållare med vattennivåfönster
- 14 Knapp för öppning av filterkorghållaren
- 15 På/av-, start/standby-knapp
- 16 Knapp för förmalet kaffe
- 17 Ångöppning
- 18 Lock till rännan för kaffeböner
- 19 Lock till vattenbehållaren
- 20 Behållare för kaffeböner
- 21 Lock till behållaren för kaffeböner
- 22 Rengöringsborste

3 Viktigt

Läs användarhandboken noggrant innan du använder apparaten och spara den för framtida bruk.

3.1 Fara

- Sänk aldrig ned apparaten i vatten eller någon annan vätska och skölj den inte under kranen.

3.2 Varning

- Kontrollera att den nätspänning som anges på apparatens undersida motsvarar den lokala nätspänningen innan du kopplar in den.
- Om nätsladden är skadad måste den alltid bytas ut av Philips, något av Philips auktoriserade serviceombud eller liknande behöriga personer för att undvika olyckor.
- Apparaten är inte avsedd för användning av personer (inklusive barn) med olika funktionshinder, eller av personer som inte har kunskap om hur apparaten används, om de inte övervakas eller får instruktioner angående användning av apparaten av en person som är ansvarig för deras säkerhet.
- Små barn ska övervakas så att de inte kan leka med apparaten.
- Förvara apparaten och sladden utom räckhåll för barn. Låt inte sladden hänga ned över bordskanten eller arbetsytan där apparaten står.
- Rör inte vid apparatens malskivor; i synnerhet då apparaten är ansluten till elnätet.
- Förvara förpackningsmaterialet (plastpåsar; kartong osv.) utom räckhåll för barn, eftersom det inte är en leksak.
- Rör inte vid apparatens varma delar när den används.
- Apparaten är utvecklad för att mala kaffeböner och brygga kaffe. Använd den på rätt sätt och med varsamhet så att du inte bränner dig på hett vatten eller ånga.
- Använd inte apparaten om stickkontakten, nätsladden eller själva apparaten är skadad.

- Om ett problem uppstår som du inte kan lösa med hjälp av den här användarhandboken kontaktar du Philips kundtjänst i ditt land. Om problemet fortfarande inte kan lösas tar du med apparaten till ett av Philips auktoriserade serviceombud för undersökning och reparation. Försök inte reparera apparaten själv. Om du gör det upphör garantin att gälla.

3.3 Varning!

- Placera inte apparaten på en varm yta, och förhindra att nätsladden kommer i kontakt med varma ytor.
- Dra ur sladden om problem uppstår under malning eller brygning och innan du rengör apparaten.
- Kannan är het under och efter brygning. Håll alltid i kannans handtag.
- Använd aldrig kannan i mikrovågsugnen.
- Flytta inte apparaten medan den är igång.
- Vänta tills apparaten har svalnat innan du ställer undan den. Värmeplattan och kaffekannan kan vara varma.
- Se till att alla delar är med och att apparaten inte är skadad när du har packat upp den. Om du känner dig osäker ska du inte använda apparaten utan kontakta kundtjänsten i ditt land.
- Apparaten är endast avsedd för normalt hushållsbruk. Den är inte avsedd för användning i miljöer som personalkök i verkstäder, på kontor eller i andra arbetsmiljöer. Den är inte heller avsedd att användas av kunder på hotell, motell, bed and breakfast och i andra boendemiljöer.

3.4 Elektromagnetiska fält (EMF)

Den här apparaten från Philips uppfyller alla standarder för elektromagnetiska fält (EMF). Om apparaten hanteras på rätt sätt och enligt instruktionerna i den här användarhandboken är den säker att använda enligt de vetenskapliga belägg som finns i dagsläget.

4 Före första användningen

4.1 Skölja igenom apparaten

Du måste skölja igenom kaffebyggaren en gång före första användningen.

- 1 Sätt in stickkontakten i vägguttaget.
 - **Start/standby-knappen tänds.**
- 2 Tryck på start/standby-knappen (Bild 2).
 - **Teckenfönstret tänds och apparaten piper.**

Obs!

Om du inte trycker på någon knapp inom 5 minuter går apparaten in i standbyläge. I så fall släcks teckenfönstret och endast start/standby-knappen är på som indikation på att apparaten fortfarande är påslagen. I standbyläge kan du trycka på vilken knapp som helst för att återaktivera apparaten.

- 3 Öppna locket till vattenbehållaren. Fyll på med friskt kallvatten till vattenbehållarens **markering för 10 koppar (Bild 3).**

Obs!

Lägg inte i kaffeböner eller malet kaffe i apparaten.

- 4 Stäng locket till vattenbehållaren.
- 5 Ställ kannan på plattan (Bild 4).

Obs!

Se till att locket sitter på kannan och att kannan placeras på rätt sätt på värmeplattan. Pipen på kannan ska peka framåt mot apparaten. Om locket inte sitter på kannan eller om kannan inte placeras rätt aktiveras droppstoppfunktionen automatiskt (se avsnittet Droppstopp i kapitlet Använda apparaten).

- 6 Tryck på start/standby-knappen (Bild 5).
 - **Apparaten piper och indikatorn för nybryggt kaffe visas i teckenfönstret.**
- 7 Stäng av kvarnen genom att trycka på knappen för förmalet kaffe (Bild 6).
 - **Knappen tänds när du trycker på den.**

Obs!

När du stänger av kvarnen visas inte antalet koppar och kaffestyrkan i teckenfönstret.

8 Tryck på start/standby-knappen för att starta bryggningen (Bild 7).

9 Kör apparaten tills allt vatten har runnit ned i kannan.

• *När bryggningen är klar piper kaffebryggaren fem gånger.*

10 Tryck på start/standby-knappen för att avsluta bryggningen/värmehållningen. (Bild 5)

11 Töm kannan.

5 Använda apparaten

5.1 Fylla på vattenbehållaren

1 Öppna locket till vattenbehållaren och fyll vattenbehållaren med den mängd kallt vatten som krävs (Bild 3).

Det finns markeringar för 2-10 koppar (275-1 375 ml) på vattennivåfönstret och på kannan. Med hjälp av dessa markeringar kan du avgöra hur mycket vatten du ska hälla i vattenbehållaren. Kom ihåg att mängden färdigbryggt kaffe blir något mindre, eftersom det malda kaffet absorberar vatten.

Tips:

Använd kannan och fyll vattenbehållaren med rätt mängd vatten.

Obs! (Bild 8)

Fyll inte på med vatten över markeringen för 10 koppar på vattenbehållaren. Om du gör det kan vatten rinna ut genom öppningen på baksidan.

5.2 Med kaffeböner

Varning!

Lägg inte espressokaffeböner i behållaren för kaffeböner. Använd bara vanliga kaffeböner.

Varning!

Håll alltid locket till vattenbehållaren stängt när du fyller behållaren för kaffeböner med kaffeböner. Annars kan kaffeböner ramla ner i vattenbehållaren och blockera påfyllningshålet för vatten.

1 Tryck på knappen OPEN på apparatens högra sida om du vill öppna filterkorgbehållaren. (Bild 9)

2 Sätt i ett pappersfilter (nr 4) i filterkorgen och samla upp det malda kaffet. (Bild 10)

3 Ta bort locket till behållaren för kaffeböner (1) och fyll på med kaffeböner i behållaren (2). Se till att det finns tillräckligt med kaffeböner i behållaren för den mängd kaffe du vill brygga (Bild 11).

Obs!

Se alltid till att behållaren för kaffeböner är minst halvfyll.

Varning!

Behållaren för kaffeböner rymmer som mest 250 g. Om du fyller på mer än så kan kvarnen börja kärva.

Varning!

Undvik orostade eller karamelliserade böner, de kan medföra att kvarnen kärvar.

4 Välj önskad typ av malning med vredet för val av malning (fin till grov). Det finns nio inställningar för malning (Bild 12).

Tips:

Vi rekommenderar att du experimenterar med olika malningsinställningar för att se vilken du gillar bäst.

- 5** Välj antalet koppar genom att trycka på knappen för 2-10 koppar lika många gånger som önskat antal koppar (Bild 13).

- *Knappen för 2-10 koppar tänds när du trycker på den.*
- *Det valda antalet koppar visas i teckenfönstret.*

⊖ Obs!

Apparaten använder allt vatten i vattentanken. Se till att antalet koppar du väljer med knappen för 2–10 koppar motsvarar mängden vatten du har hållt i vattenbehållaren. Om du väljer ett antal koppar som är mindre än mängden vatten blir kaffet svagare än du avsåg.

- 6** Tryck på knappen för val av kaffestyrka en eller flera gånger och välj önskad kaffestyrka (mild, medel eller stark) (Bild 14).

- *Knappen för val av kaffestyrka tänds när du trycker på den.*
- *Den inställda kaffestyrkan visas i teckenfönstret.*

- 7** Tryck på start/standby-knappen för att starta bryggningen (Bild 15).

⚠ Varning!

Undvik att komma nära ångöppningen under bryggningen. Du kan bränna dig på de heta ångorna.

- *Kvarnen mal rätt mängd kaffebönor.*
- *Indikatorn för nybryggt kaffe blinkar snabbt i teckenfönstret tills bryggningen är klar (Bild 16).*
- *När bryggningen är klar piper kaffebryggaren fem gånger.*
- *Värmeplattan slås på automatiskt.*

⚠ Varning!

Rör inte värmeplattan medan den är på. Den blir mycket varm.

- 8** Vänta tills kaffebryggaren har slutat pipa innan du tar bort kannan från värmeplattan.

⊖ Obs!

När bryggningen är klar droppar det kaffe från filterkorgen i några sekunder.

- *Indikatorn för nybryggt kaffe blinkar långsamt i teckenfönstret under 120 minuter efter bryggningen för att ange att kaffet är nybryggt.*

- 9** Om du inte behöver värmeplattan för att hålla kaffet varmt trycker du på start/standby-knappen för att sätta apparaten i viloläge (Bild 17).

- *Apparaten ger ifrån sig ett långt pip och start/standby-knappen lyser för att visa att apparaten fortfarande är påslagen.*

⊖ Obs!

Om du inte trycker på start/standby-knappen och försätter apparaten i standbyläge växlar den automatiskt till standbyläge efter 120 minuter. Start/standby-knappen är påslagen som indikation på att apparaten fortfarande är ansluten till elnätet.

⊖ Obs!

Du kan trycka på vilken knapp du vill för att aktivera apparaten och brygga kaffe igen.

5.3 Med förmålet kaffe

Om du vill använda förmålet kaffe i stället för kaffebönor följer du stegen nedan.

- 1** Fyll vattenbehållaren med vatten, enligt beskrivningen i Fylla vattenbehållaren.

- 2** Tryck på knappen OPEN på apparatens högra sida om du vill öppna filterkorgbehållaren. (Bild 9)

- 3** Placera ett pappersfilter (nummer 4) i filterkorgen. (Bild 18)

- 4** Stäng av kvarnen genom att trycka på knappen för förmålet kaffe (Bild 6).

- *Knappen tänds när du trycker på den.*

⊖ Obs!

När du stänger av kvarnen visas inte antalet koppar och kaffestyrkan i teckenfönstret.

- 5** Fyll på med förmålet kaffe i pappersfiltret eller i det permanenta filtret.

Obs!

Hur mycket förmalet kaffe du använder är en smaksak. Om du vill brygga ett medelstarkt kaffe går det åt ett mått (cirka 6 g) per kopp (125 ml).

- 6 Stäng filterkorghållaren och ställ kannan på värmeplattan.
- 7 Följ steg 7, 8 och 9 i avsnittet Med kaffeböner.

5.4 Droppstopp

Droppstoppet gör att du kan ta bort kannan från kaffebryggaren innan bryggningen avslutas. När du tar bort kannan avbryter droppstoppet flödet av kaffe in i kannan.

Obs!

Bryggningen avbryts inte när du tar bort kannan. Om du inte ställer tillbaka kannan på värmeplattan inom 20 sekunder svämmas filterkorgen över.

6 Rengöring och underhåll

6.1 Rengöring efter varje användning

Varning!

Sänk aldrig ned apparaten i vatten eller någon annan vätska och skölj den inte under kranen.

- 1 Ta ut stickkontakten ur vägguttaget.
- 2 Torka av kaffebryggarens utsida och värmeplattan med en fuktig trasa.
- 3 Rengör filterkorgen och glaskannan med hett vatten och lite diskmedel, eller diska dem i diskmaskinen.

6.2 Rengöra rännan för kaffeböner

Du måste rengöra rännan för kaffeböner med en till två veckors mellanrum beroende på hur mycket den används.

- 1 Sätt in stickkontakten i vägguttaget.
- 2 Tryck på start/standby-knappen (Bild 2).
 - **Start/standby-knappen och teckenfönstret tänds.**
- 3 Tryck på start/standby-knappen och ta sedan ut stickkontakten ur vägguttaget.
- 4 För in den platta delen av rengöringsborstens handtag i låset för rännan för kaffeböner och lås upp den. (Bild 19)
- 5 Öppna locket till rännan för kaffeböner (Bild 20).
- 6 Använd rengöringsborsten och borsta ned kafferesterna i den nedre delen av rännan (Bild 21).

Tips:

Sätt i ett pappersfilter i filterkorgen och samla upp det malda kaffet.

- **Kafferesterna hamnar i filterkorgen.**
- 7 Stäng locket till rännan för kaffeböner och vrid låset till det låsta läget (Bild 22).
 - 8 Ta bort pappersfiltret med kafferesterna och släng det.

6.3 Kalka av kaffebryggaren

När meddelandet CALC visas i teckenfönstret (efter cirka 60 bryggningar) måste du kalka av kaffebryggaren, eftersom kaffebryggaren kan täppas till av kalkavlagringar.

Regelbunden avkalkning förlänger apparatens livslängd och ger garanterat bättre resultat under längre tid. Avkalka apparaten:

- Var 120:e bryggning om du använder mjukt vatten (upp till 18 dH).
- Var 60:e bryggning om du använder hårt vatten (över 18 dH).

Det lokala vattenverket kan upplysa dig om vattnets hårdhetsgrad.

Obs!

Om du är inte vet vilken hårdhetsgrad vattnet har i ditt område och inte har möjlighet att kontakta det lokala vattenverket rekommenderar vi att du avkalkar apparaten varje gång meddelandet CALC visas i teckenfönstret.

Obs!

Om du vill ta bort meddelandet CALC från teckenfönstret trycker du på knappen för 2-10 koppar och knappen STRENGTH samtidigt.

- 1 Öppna locket till vattenbehållaren.
- 2 Fyll vattenbehållaren med sju koppar ättika (4 % ättiksyras) och tre koppar vatten (Bild 23).
- 3 Sätt i ett pappersfilter (nummer 4) i filterkorgen och stäng filterkorghållaren.
- 4 Ställ den tomma kannan på värmeplattan (Bild 4).
- 5 Sätt in stickkontakten i vägguttaget.
- 6 Tryck på start/standby-knappen.
- 7 Stäng av kvarnen genom att trycka på knappen för föroamlet kaffe. Tryck sedan på start/standby-knappen för att starta bryggningen.
- 8 Vänta tills hälften av ättikslösningen har runnit ned i kannan. Avbryt sedan bryggningen genom att trycka på start/standby-knappen och låt lösningen dra i minst en kvart.
- 9 Slå på kaffebryggaren igen genom att trycka på start/standby-knappen och vänta tills resten av lösningen har runnit ned i kannan. Sätt därefter apparaten i standbyläge genom att trycka på start/standby-knappen.
- 10 Töm kannan och kasta pappersfiltret.
- 11 Fyll vattenbehållaren med kallt vatten och tryck på start/standby-knappen för att starta en ny bryggning. Låt kaffebryggaren avsluta hela bryggningen och töm sedan kannan.
- 12 Upprepa steg 12 tills vattnet inte längre smakar eller luktar ättika.
- 13 Rengör filterkorgen och kannan med varmt vatten och lite diskmedel.

7 Beställa tillbehör

Om du vill köpa tillbehör eller reservdelar kan du gå till www.shop.philips.com/service eller en Philips-återförsäljare. Du kan även kontakta Philips kundtjänst i ditt land (kontaktinformation finns i garantibroschyren).

8 Miljön

- Kasta inte apparaten i hushållssoporna när den är förbrukad. Lämna in den för återvinning vid en officiell återvinningsstation, så hjälper du till att skydda miljön (Bild 24).

9 Garanti och support

Om du behöver information eller support kan du gå till www.philips.com/support eller läsa garantibroschyren.

10 Felsökning

I det här kapitlet sammanfattas de vanligaste problemen som kan uppstå med apparaten. Om du inte kan lösa problemet med hjälp av informationen nedan kan du gå till www.philips.com/support och läsa svaren på vanliga frågor. Du kan även kontakta kundtjänst i ditt land.

Apparaten fungerar inte.

- Kontrollera att den spänning som anges på apparaten överensstämmer med den lokala nätspänningen.
- Fyll vattenbehållaren med vatten.
- När jag använder kvarnen blir kaffet för svagt.
- Kontrollera att det antal koppar som du väljer med knappen för 2-10 koppar överensstämmer med mängden vatten i vattenbehållaren. Kom ihåg att apparaten använder allt vatten i vattenbehållaren.
- Välj starkare kaffe med knappen för val av kaffestyrka.
- När du använder kaffeböner måste du vara noga med att inte trycka på knappen för förmalet kaffe, eftersom du då stänger av kvarnen.
- Använd en starkare blandning eller kaffeböner med mer smak.
- Du kan öka kaffestyrkan genom att välja ett större antal koppar med knappen för 2-10 koppar än antalet koppar som du fyller vattenbehållaren med.

När jag använder förmalet kaffe blir kaffet för svagt.

- Se till att mängden förmalet kaffe i filtret stämmer överens med mängden vatten i vattenbehållaren. Tänk på att apparaten använder allt vatten i vattenbehållaren.
- Använd en starkare blandning eller malet kaffe med mer smak.
- Du kan öka kaffestyrkan genom att öka mängden förmalet kaffe eller minska mängden vatten.

Filtret svämmar över när jag tar bort kannan från apparaten under pågående bryggning.

- Om du tar bort kannan i mer än 20 sekunder under bryggningen får droppstoppet filterkorgen att svämma över. Tänk även på att kaffet inte får sin fulla smak förrän i slutet av bryggningen. Vi rekommenderar därför att du inte tar bort kannan och håller upp kaffe förrän bryggningen är klar.

Apparaten fortsätter droppa långt efter att bryggningen är klar:

- Droppet beror på kondenserad ånga. Det är helt normalt att apparaten droppar ett tag.
- Om det inte slutar droppa kan droppstoppet vara blockerat. Rengör droppstoppen genom att trycka på knappen OPEN på apparatens högra sida och öppna filterkorghållaren. Ta ut filterkorgen och skölj den och droppstoppet under kranen.
- Om du tar bort kannan i mer än 20 sekunder under bryggningen får droppstoppet filterkorgen att svämma över.

Kaffet är inte tillräckligt varmt.

- Placera kannan rätt på värmeplattan.
- Se till att värmeplattan och kannans botten är rena.
- Använd tunna koppar; eftersom de absorberar mindre värme från kaffet än tjocka koppar.
- Använd inte mjölk som kommer direkt ur kylskåpet.
- Kalka av apparaten. Se avsnittet Kalka av kaffebryggaren i kapitlet Rengöring och underhåll.

1 Giriş

Ürünümüzü satın aldığınız için teşekkür ederiz; Philips'e hoş geldiniz! Philips'in sunduğu destekten faydalanabilmek için lütfen ürününüzü şu adresten kaydedin: www.philips.com/welcome.

2 Genel açıklamalar (Şek. 1)

- 1 Filtre sepeti
- 2 Damla tıpası
- 3 Kahve çekirdeği kanal kilidi
- 4 Öğütücü seçme düğmesi
- 5 Görüntü
- 6 STRENGTH (sertlik) düğmesi
- 7 2-10 fincan düğmesi
- 8 Filtre sepeti yuvası
- 9 Sürahi kapağı
- 10 Cam sürahi
- 11 Sıcak plaka
- 12 Taşma deliği
- 13 Su seviyesi pencere su haznesi
- 14 Filtre sepeti yuvası için OPEN (açma)düğmesi
- 15 Açma/kapama, çalıştırma/bekleme düğmesi
- 16 Kahve ön öğütme düğmesi
- 17 Buhar deliği
- 18 Kahve çekirdeği kanal kapağı
- 19 Su haznesi kapağı
- 20 Kahve çekirdeği haznesi
- 21 Kahve çekirdeği haznesi kapağı
- 22 Temizleme fırçası

3 Önemli

Cihazı kullanmadan önce bu kullanım kılavuzunu okuyun ve gelecekte de başvurmak üzere saklayın.

3.1 Tehlike

- Cihazı kesinlikle suya veya başka bir sıvıya batırmayın ya da muslukta durulamayın.

3.2 Uyarı

- Cihazı prize takmadan önce, cihazın tabanında belirtilen gerilimin yerel şebeke gerilimiyle uygunluğunu kontrol edin.
- Cihazın elektrik kablosu hasarlıysa, bir tehlike oluşturmasını önlemek için mutlaka Philips'in yetki verdiği bir servis merkezi veya benzer şekilde yetkilendirilmiş kişiler tarafından değiştirilmesini sağlayın.
- Bu cihaz, güvenliklerinden sorumlu kişilerin nezareti veya talimatı olmadan, fiziksel, sinirsel ya da zihinsel becerileri gelişmemiş veya bilgi ve tecrübe açısından yetersiz kişiler tarafından (çocuklar da dahil) kullanılmamalıdır.
- Küçük çocukların cihazla oynamaları engellenmelidir.
- Elektrik kablosunu çocukların ulaşabileceği yerlerden uzak tutun. Elektrik kablosunun cihazın bulunduğu masanın veya tezgahın kenarından sarkmasına izin vermeyin.
- Özellikle cihaz elektriğe bağlıyken cihazın öğütücü uçlarına dokunmayın.
- Ambalaj malzemeleri (plastik poşetler; karton parçalar vb.) oyuncak değildir ve çocukların ulaşamayacağı yerlerde saklanmalıdır.
- Cihaz çalışırken sıcak yüzeylerine dokunmayın.
- Bu cihaz kahve çekirdeği öğütmek ve kahve yapmak için tasarlanmıştır. Sıcak su ve buhar nedeniyle yanmaları önlemek için doğru ve dikkatli bir biçimde kullanın.
- Cihazın fişi, kordonu veya kendisi hasarlıysa kesinlikle kullanmayın.

- Bu kullanma kılavuzuyla çözemeyeceğiniz bir sorun meydana gelirse, ülkenizdeki Müşteri Destek Merkezi'yle iletişim kurun. Sorun çözülmezse, cihazı kontrol veya onarım için yetkili bir Philips servis merkezine götürün. Cihazı kendi başınıza onarmaya çalışmayın, aksi takdirde cihazınızın garantisi geçersiz kalacaktır.

3.3 Dikkat

- Kahve makinesini kesinlikle sıcak zeminlere yerleştirmeyin ve elektrik kordonunu sıcak cisimlere deędirmeyin.
- Kahve öğütürken veya yaparken ve temizlemeden önce sorun çıkarsa, cihazı fişten çekin.
- Kahve yaparken ve sonrasında sürahi sıcak kalır. Sürahiyi her zaman sapından tutun.
- Sürahiyi kesinlikle mikrodalga fırında kullanmayın.
- Çalışırken cihazı hareket ettirmeyin.
- Cihazı saklamadan önce, soğumasını bekleyin. Sıcak plaka ve kahve sürahisini sıcak olabilir.
- Ambalajı açtıktan sonra, cihazın eksiksiz ve hasarsız olduğundan emin olun. Şüpheye düştüğünüz durumlarda cihazı kullanmayın ve ülkenizdeki Müşteri Destek Merkezi'yle iletişim kurun.
- Bu cihaz sadece evde kullanım için tasarlanmıştır. Mağazaların, ofislerin, çiftliklerin veya diğer işyerlerinin personel mutfakları gibi ortamlarda kullanılamaz. Otel, motel, pansiyon ve diğer konaklama ortamlarındaki kişiler tarafından kullanıma da uygundur.

3.4 Elektromanyetik alanlar (EMF)

Bu Philips cihazı elektromanyetik alanlarla (EMF) ilgili tüm standartlara uygundur. Bu cihaz, gereęi gibi ve bu kılavuzdaki talimatlara uygun şekilde kullanıldığında, bugünün bilimsel verilerine göre kullanımı güvenlidir.

4 İlk kullanımdan önce

4.1 Cihazın boşaltılması

İlk kullanımdan önce kahve makinesini yıkamanız gerekir:

- 1 Elektrik fişini prize takın.
 - *Çalıştırma/bekleme düğmesinin ışığı yanar.*
- 2 Çalıştırma/bekleme düğmesine basın (Şek. 2).
 - *Ekran aydınlanır ve cihaz sesli uyarı verir.*

⚠ Dikkat:

5 dakika içinde hiçbir düğmeye basmazsanız cihaz bekleme konumuna geçer. Bu durumda ekran kararır ve yalnızca çalıştırma/bekleme düğmesi açık kalarak cihazın halen çalışmakta olduğunu gösterir. Bekleme modundayken cihazı tekrar çalıştırmak için herhangi bir düğmeye basabilirsiniz.

- 3 Su haznesinin kapağını açın. Su haznesine **10 fincan göstergesine kadar** temiz soğuk su doldurun (Şek. 3).

⚠ Dikkat:

Kahve çekirdeklerini veya öğütülmüş kahveyi cihazın içine koymayın.

- 4 Su haznesinin kapağını kapatın.
- 5 Kahve sürahisini sıcak plakaya yerleştirin (Şek. 4).

⚠ Dikkat:

Sürahinin kapağının kapalı olduğundan ve sürahinin sıcak plaka üzerine düzgün yerleştirildiğinden emin olun. Sürahinin kapağı kapalı değilse veya sürahi düzgün yerleştirilmemişse damlama durdurma fonksiyonu otomatik olarak etkinleştirilir (bkz. 'Cihazın kullanımı' bölümü, 'Damlama durdurma fonksiyonu' kısmı).

- 6 Çalıştırma/bekleme düğmesine basın (Şek. 5).
 - *Cihaz bip sesi verir ve ekranda tazeli göstergesi belirir.*
- 7 Öğütücüyü kapatmak için kahve ön öğütme düğmesine basın (Şek. 6).
 - *Basıldığında, düğmenin ışığı yanar.*

Dikkat:

Öğütücüyü kapattığınızda, fincan sayısı ve sertlik ayarı ekranda gösterilmez.

- 8** Kahve yapma işlemini başlatmak için çalıştırma/bekleme düğmesine basın (Şek. 7).
- 9** Suyun tamamı sürahiye akana kadar cihaz çalışsın.
 - *Kahve yapma işlemi bittiğinde, kahve makinesi 5 kez uyarı sesi çıkarır.*
- 10** Kahve yapma/ sıcak tutma işlemini durdurmak için çalıştırma/bekleme düğmesine basın. (Şek. 5)
- 11** Sürahiyi boşaltın.

5 Cihazın kullanımı

5.1 Su haznesinin doldurulması

- 1** Su haznesinin kapağını açın ve su haznesine gereken miktarda soğuk su doldurun (Şek. 3). Su seviyesi penceresinde ve sürahide 2 - 10 fincan (275 ml - 1375 ml) göstergesi bulunmaktadır. Su haznesine koyulacak su miktarı için bu göstergelerden yararlanabilirsiniz. Öğütülmüş kahve suyu emdiğinden, yapılan kahve miktarının biraz daha az olacağını unutmayın.

İpucu:

Su haznesine gereken miktarda su doldurmak için sürahiyi kullanın.

Dikkat: (Şek. 8)

Su haznesini 10 fincan göstergesinin üzerinde doldurmayın; aksi halde su, arka taraftaki deliklerden akar.

5.2 Kahve çekirdeklerinin kullanımı

Uyarı:

Kahve çekirdeği haznesine espresso yapmak için üretilmiş çekirdek koymayın. Sadece normal kahve çekirdeği kullanın.

Uyarı:

Kahve çekirdeği haznesini kahve çekirdekleriyle doldururken, su haznesi kapağının kapalı olduğundan kesinlikle emin olun. Aksi takdirde kahve çekirdekleri su haznesine düşebilir ve su girişini tıkaabilir.

- 1** Cihazın sağ tarafında bulunan OPEN (açma) düğmesine basarak filtre sepeti yuvasını açın. (Şek. 9)
- 2** Öğütülmüş kahveyi toplamak için filtre sepetine bir kağıt filtre (no. 4) takın. (Şek. 10)
- 3** Kahve çekirdeği haznesi kapağını çıkarın (1) ve hazneye kahve çekirdeği doldurun (2). Yaprak istediğiniz kahve için yeterli miktarda kahve çekirdeği bulunduğundan emin olun (Şek. 11).

Dikkat:

Çekirdek haznesi her zaman en az yarıya kadar dolu olmalıdır.

Uyarı:

Kahve çekirdeği haznesi, maksimum 250 g kapasiteye sahiptir. Öğütücünün sıkışmaması için bu miktarı aşmayın.

Uyarı:

Öğütücünün sıkışmaması için kavrulmamış veya karamelli çekirdek kullanmayın.

- 4** Öğütücü seçme düğmesini kullanarak (ince tanecikliden kalın tanecikliye kadar) istediğiniz öğütme türünü seçin. Dokuz öğütme ayarı bulunmaktadır (Şek. 12).

İpucu:

Damak tadınıza uygun ayarı bulmak için farklı öğütme ayarlarını denemenizi öneririz.

- 5** Fincan sayısını seçmek için, istediğiniz fincan sayısı kadar 2-10 fincan düğmesine basın (Şek. 13).
 - *Basıldığında, 2-10 fincan düğmesinin ışığı yanar.*
 - *Seçilen fincan sayısı ekranda gösterilir.*

Dikkat:

Cihaz, su haznesindeki tüm suyu kullanır. 2-10 fincan düğmesi ile seçtiğiniz fincan sayısının su haznesine koyduğunuz su miktarıyla eşit olduğundan emin olun. Su miktarına göre daha az fincan sayısı seçerseniz kahveniz istediğiniz sertlikte olmaz.

6 İsteddiğiniz kahve sertliğini (hafif, orta veya sert) seçene kadar STRENGTH (sertlik) düğmesine arka arkaya basın (Şek. 14).

- *Basıldığında, STRENGTH (sertlik) düğmesinin ışığı yanar.*
- *Seçilen kahve sertliği ekranda gösterilir.*

7 Kahve yapma işlemi başlatmak için çalıştırma/bekleme düğmesine basın (Şek. 15).

Uyarı:

Sıcak buhar çıkışı olduğundan, kahve yaparken buhar deliğine yaklaşmayın.

- *Öğütücü gereken miktarda kahve çekirdeğini öğütür.*
- *Kahve yapma işlemi bitene kadar tazelik göstergesi ekranda hızla yanıp söner (Şek. 16).*
- *Kahve yapma işlemi bittiğinde kahve makinesi 5 defa bip sesi verir.*
- *Sıcak plaka otomatik olarak çalışır.*

Uyarı:

Çalışırken ısındığından, sıcak plakaya dokunmayın.

8 Sürahiye sıcak plakadan almadan önce kahve makinesinin uyarı seslerini bitirmesini bekleyin.

Dikkat:

Kahve yapma işlemi bittikten sonra birkaç saniye süreyle filtre sepetinden kahve damlar:

- *Kahve yapım işlemi bittikten sonra tazelik göstergesi 120 dakika boyunca ekranda yavaşça yanıp sönerek kahvenin taze olduğunu gösterir.*

9 Kahveyi sıcak tutmak için sıcak plakaya ihtiyacınız yoksa, çalıştırma/bekleme düğmesine basarak cihazı bekleme moduna alın (Şek. 17).

- *Cihaz uzun bir bip sesi verir ve çalıştırma/bekleme düğmesi açık kalarak cihazın halen çalışmakta olduğunu gösterir.*

Dikkat:

Cihazı bekleme moduna almak için çalıştırma/bekleme düğmesine basmazsanız, cihaz 120 dakika sonra otomatik olarak bekleme moduna geçer. Çalıştırma/bekleme düğmesi açık kalarak cihazın halen fişe takılı olduğunu gösterir.

Dikkat:

Cihazı çalıştırmak ve tekrar kahve yapmak için herhangi bir düğmeye basabilirsiniz.

5.3 Önceden öğütülmüş kahve kullanılması

Kahve çekirdeği yerine önceden öğütülmüş kahve kullanmak isterseniz, aşağıdaki adımları izleyin.

- 1** Su haznesini 'Su haznesinin doldurulması' bölümünde açıklanan şekilde suyla doldurun.
- 2** Cihazın sağ tarafında bulunan OPEN (açma) düğmesine basarak filtre sepeti yuvasını açın. (Şek. 9)
- 3** Filtre sepetine bir kağıt filtre (no. 4) takın. (Şek. 18)
- 4** Öğütücüyü kapatmak için kahve ön öğütme düğmesine basın (Şek. 6).
 - *Basıldığında, düğmenin ışığı yanar.*

Dikkat:

Öğütücüyü kapattığınızda, fincan sayısı ve sertlik ayarı ekranda gösterilmez.

- 5** Önceden öğütülmüş kahveyi kağıt filtreye veya sabit filtreye yerleştirin.

Dikkat:

Kullanacağınız önceden öğütülmüş kahve miktar kendi zevkinize bağlıdır. Kahvenizin orta-sert olmasını istiyorsanız, her bir fincan için (125 ml) bir ölçüm kaşığı (yaklaşık 6 g) kullanın.

- 6** Filtre sepeti yuvasını kapatın ve sürahiye sıcak plakaya yerleştirin.

- 7 'Kahve çekirdeklerinin kullanımı' bölümündeki 7., 8. ve 9. adımları izleyin.

5.4 Damlama durdurma fonksiyonu

Damlama durdurma fonksiyonu, kahve yapma işlemi tamamlanmadan önce sürahiyi kahve makinesinden çıkarmanızı sağlar. Sürahiyi çıkardığınızda, damlama durdurma fonksiyonu sürahiye kahve akışını durdurur.

⚠ Dikkat:

Sürahiyi aldığınızda kahve yapma işlemi durmaz. Sürahiyi 20 saniye içinde sıcak plakaya koymazsanız, filtre sepeti taşar.

6 Temizlik ve bakım

6.1 Her kullanımdan sonra temizlik

⚠ Uyarı:

Cihazı kesinlikle suya veya başka bir sıvıya batırmayın ya da muslukta durulamayın.

- 1 Cihazın fişini prizden çekin.
- 2 Kahve makinesinin dışını ve sıcak plakayı nemli bir bezle silin.
- 3 Filtre sepetini ve cam sürahiyi sıcak su ve bir miktar bulaşık deterjanıyla ya da bulaşık makinesinde yıkayabilirsiniz.

6.2 Kahve çekirdeği kanalının temizlenmesi

Kullanım sıklığına bağlı olarak kahve çekirdeği kanalını 1-2 haftada bir temizlemeniz gerekir.

- 1 Elektrik fişini prize takın.
- 2 Çalıştırma/bekleme düğmesine basın (Şek. 2).
 - **Çalıştırma/bekleme düğmesi ve ekran ışıkları yanar.**
- 3 Çalıştırma/bekleme düğmesine basın ve ardından elektrik fişini duvar prizinden çekin.

- 4 Temizleme fırçası sapının düz ucunu kanal kilidine takın ve kilidi 'açık' konuma çevirin. (Şek. 19)

- 5 Kahve çekirdeği kanalının kapağını açın (Şek. 20).

- 6 Temizleme fırçasını kullanarak kanalın alt kısmında kalan öğütülmüş kahve artıklarını temizleyin (Şek. 21).

⊗ İpucu:

Öğütülmüş kahveyi toplamak için filtre sepetine bir kağıt filtre takın.

- **Öğütülmüş kahve artıkları filtre sepetine dökülür.**

- 7 Kahve çekirdeği kanalının kapağını kapatın ve kilidi 'kapalı' konuma çevirin (Şek. 22).

- 8 Öğütülmüş kahve artıklarının bulunduğu kağıt filtreyi çıkarın ve atın.

6.3 Kahve makinesinde kireç temizleme

Ekranda 'CALC' (kireç) mesajı gösterildiğinde (yaklaşık 60 kez kahve yaptıktan sonra), kahve makinesi kireç nedeniyle tıkanabileceğinden, kahve makinesindeki kireci temizlemeniz gerekir.

Düzenli olarak uygulanan kireç temizleme işlemi cihazın ömrünü uzatır ve daha uzun bir süre en iyi şekilde ve sabit bir süre içinde kahve yapılabilmesini sağlar. Cihazdaki kireci temizleyin:

- yumuşak su (18dH'ye kadar) kullanıyorsanız her 120 kahve yapma işleminde bir.
- sert su (18dH üzeri) kullanıyorsanız her 60 kahve yapma işleminde bir.

Bölgenizdeki su sertliği konusunda bilgi edinmek için yerel su idaresine başvurabilirsiniz.

⚠ Dikkat:

Bölgenizdeki suyun sertliği hakkında bilginiz yoksa ve bölgenizdeki yerel su idaresine başvuracak durumda değilseniz, cihazınızın kirecini ekranda her 'CALC' (kireç) mesajı gösterildiğinde temizlemenizi öneririz.

Dikkat:

'CALC' (kireç) mesajını ekrandan kaldırmak için, 2-10 CUPS (2-10 fincan) ve STRENGTH (sertlik) düğmesine aynı anda basın.

- 1 Su haznesinin kapağını açın.
- 2 Su haznesine 7 fincan sirke (%4 asetik asit) ve 3 fincan su koyun (Şek. 23).
- 3 Filtre sepetine bir kağıt filtre (no. 4) takın ve filtre sepeti yuvasını kapatın.
- 4 Boş sürahiyi sıcak plakaya yerleştirin (Şek. 4).
- 5 Elektrik fişini prize takın.
- 6 Çalıştırma/bekleme düğmesine basın.
- 7 Öğütücüyü kapatmak için kahve ön öğütme düğmesine basın. Ardından kahve yapma işlemini başlatmak için çalıştırma/bekleme düğmesine basın.
- 8 Sirke-su solüsyonunun yansının sürahiye akmasını bekleyin. Ardından, çalıştırma/bekleme düğmesine basarak kahve yapma işlemini durdurun ve en az 15 dakika solüsyonun çökmesini bekleyin.
- 9 Çalıştırma/bekleme düğmesine basarak kahve makinesini tekrar açın ve kalan solüsyonun sürahiye akmasını bekleyin. Ardından, çalıştırma/bekleme düğmesine basarak cihazı bekleme moduna alın.
- 10 Sürahiyi boşaltın ve kağıt filtreyi atın.
- 11 Su haznesini soğuk suyla doldurun ve çalıştırma/bekleme düğmesine basarak yeni bir kahve yapma işlemi başlatın. Kahve makinesinin işlemi tamamlamasını bekleyin ve sürahiyi boşaltın.
- 12 Suda sirke tadı veya kokusu kalmayana kadar 12. adımı tekrarlayın.
- 13 Filtre sepetini ve sürahiyi sıcak su ve çok az deterjanla temizleyin.

7 Aksesuarların sipariş edilmesi

Aksesuar veya yedek parça satın almak için www.shop.philips.com/service adresini ziyaret edin ya da Philips bayinize gidin. Aynı zamanda ülkenizdeki Philips Müşteri Hizmet Merkezi ile iletişim kurabilirsiniz (iletişim bilgileri için dünya çapında garanti kitapçığına başvurun).

8 Çevre

- Kullanım ömrü sonunda, cihazı normal evsel atıklarınızla birlikte atmayın; bunun yerine, geri dönüşüm için resmi toplama noktalarına teslim edin. Böylece, çevrenin korunmasına yardımcı olursunuz (Şek. 24).

9 Garanti ve destek

Bilgi veya desteğe ihtiyaç duyarsanız, lütfen www.philips.com/support adresini ziyaret edin veya dünya çapında garanti kitapçığını okuyun.

10 Sorun giderme

Bu bölüm, cihazda en sık karşılaşılabileceğiniz sorunları özetlemektedir. Sorunu aşağıdaki bilgilerle çözemiyorsanız, sık sorulan sorular listesi için www.philips.com/support adresini ziyaret edin veya ülkenizdeki Müşteri Destek Merkezi ile iletişim kurun.

Cihaz çalışmıyor

- Cihaz üzerinde belirtilen gerilimin yerel şebeke gerilimiyle uygunluğunu kontrol edin.
- Su haznesini suyla doldurun.

Öğütücüyü kullandığımda kahve çok hafif oluyor.

- 2-10 fincan düğmesi ile seçtiğiniz fincan sayısının su haznesindeki su miktarına uygun olduğundan emin olun. Cihazın su haznesindeki tüm suyu kullandığını unutmayın.
- STRENGTH (sertlik) düğmesini kullanarak kahve sertliğini 'sert' olarak ayarlayın.
- Kahve çekirdeği kullanırken, öğütücüyü kapatacağından, ön öğütme düğmesine basmayın.
- Daha sert aromaya sahip kahve çekirdekleri kullanın.
- Kahve sertliğini artırmak için, 2-10 fincan düğmesi ile su haznesini doldurmak için kullandığınız fincan sayısından daha çok sayıda fincan seçin.

Önceden öğütülmüş kahve kullandığımda kahve çok hafif oluyor.

- Filtredeki önceden öğütülmüş kahve miktarının su haznesindeki su miktarına uygun olduğundan emin olun. Cihazın su haznesindeki tüm suyu kullandığını unutmayın.
- Daha sert aromaya sahip öğütülmüş kahve kullanın.
- Kahve sertliğini artırmak için önceden öğütülmüş kahve miktarını artırın veya su miktarını azaltın.

Kahve yapılırken sürahi cihazdan alındığında filtre taşar.

- Kahve yapma işlemi sırasında sürahiyi 20 saniyeden uzun süre dışarıda tutarsanız damlama durdurma fonksiyonu filtre sepetinin taşmasına neden olur. Ayrıca, kahve yapma işlemi tamamlanmadan kahvenin tam lezzet vermeyeceğini unutmayın. Bu nedenle, kahve yapma işlemi tamamlanmadan kahve almak için sürahiyi çıkarmamanızı öneriyoruz.

Cihaz, kahve yapma işlemi bittikten sonra bir süre damlatmaya devam eder.

- Damlatmanın nedeni, buharın yoğunlaşmasıdır. Cihazın birkaç kez damlatması tamamen normaldir.
- Damlatma durmuyorsa, damla tıpası tıkalı olabilir. Damla tıpasını temizlemek kahve makinesinin sağ tarafında bulunan OPEN (açma) düğmesine basarak filtre sepeti yuvasını açın. Filtre sepetini çıkarın, sepeti ve damla tıpasını musluk altında durulayın.
- Kahve yaparken sürahiyi 20 saniyeden uzun süreyle dışarıda tutarsanız, damlama durdurma fonksiyonu filtre yuvasının taşmasına neden olur.

Kahve yeterince sıcak değil.

- Sürahiyi sıcak plakaya doğru yerleştirdiğinizden emin olun.
- Sıcak plakanın ve sürahi tabanının temiz olduğundan emin olun.
- Kalın fincanlara göre daha az ısı soğuran ince fincan kullanın.
- Doğrudan buzdolabından çıkarılan sütü kullanmayın.
- Cihazdaki kireci temizleyin. 'Temizleme ve bakım' bölümünde 'Kireç temizleme' konusuna başvurun.

