

9" Portable DVD Player

9" Portabel DVD-spelare

9" Portabel DVD-spiller

9" Kannettava DVD-soitin

9" Tragbarer DVD-Player



Art.no

18-8272

38-4574

Model

PDVD-12809B-UK

PDVD-12809B

Ver. 20130503

clas ohlson

English

Svenska

Norsk

Suomi

Deutsch

9" Portable Swivel Screen DVD Player

Art.no 18-8272 Model PDVD-12809B-UK
38-4574 PDVD-12809B

Please read the entire instruction manual before use and save it for future reference. We reserve the right for any errors in text or images and for making any necessary technical changes to this document. If you should have any questions concerning technical problems please contact our Customer Services.

Safety



CLASS 1 LASER PRODUCT

Caution: Do not open the casing as you may be exposed to visible laser beams that may cause eye injuries. Do not look directly into the laser beam or look directly at it using an optical instrument.

- The product should not be taken apart or modified. Certain exposed parts inside the casing carry dangerous current. Touching these can lead to fire or electric shock.
- The on/off switch only switches the device into standby power mode and does not totally cut off current from the mains.
- Make sure that the wall socket you are using is accessible so that it is easy to disconnect the mains adaptor from the mains when it is not in use.
- Never subject the product to high temperature, dust, heavy vibration, impacts, humidity or moisture.
- Do not place the product where there is a risk of it falling into water or other liquid. Do not place any objects which contain liquid on the product such as vases, drinks, etc.
- Do not cover the product. The ventilation openings on the product must not be blocked.
- Do not place the product in a confined space with poor air circulation. Adequate ventilation is required to prevent the device from overheating.
- Do not place the product on a soft surface such as a cushion or a quilt. Place the product on a hard surface to ensure adequate ventilation/cooling.
- The product is intended for indoor use only.
- Do not place heavy or sharp objects onto the LCD screen.
- If a USB cable is used to connect an external device such as a media player, the cable should be no longer than 25 cm.
- Use only the included AC/DC mains adaptor.

- Do not abuse the mains lead. Make sure that the mains lead does not come into contact with heat, sharp edges or is crushed.
- Always unplug the mains adaptor from the wall socket at night or before leaving the house.
- Protect your hearing. Listening to the player on high volume for prolonged periods can lead to permanent hearing loss.
- This product must not be used by anyone (including children) suffering from physical or mental impairment. This product should not be used by anyone that has not read the instruction manual unless they have been instructed in its use by someone who will take responsibility for their safety.
- If the product emits an unusual odour or starts to overheat, switch it off immediately and unplug the mains adaptor from the wall socket. Do not use the product again until it has been inspected by a qualified technician.
- The product must only be repaired by qualified service technicians and only using genuine spare parts.

Care and maintenance

Cleaning

- Always unplug the adaptor from the wall socket before cleaning.
- Make sure that no liquids penetrate the player.
- Use only a damp cloth and mild detergent when cleaning the exterior.
- Never use solvents or abrasive cleaning agents.
- The screen itself should only be cleaned using specialized screen cleaning products.

Disc care

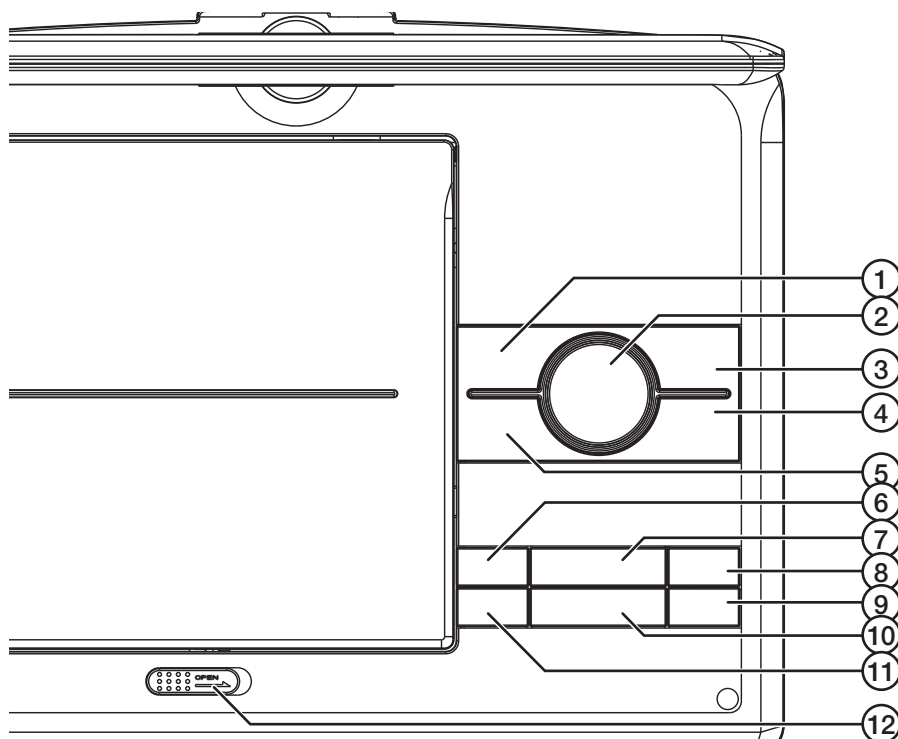
- Hold a disc by the hole or edge in order to avoid contaminating it with fingerprints and dirt.
- Do not bend discs or subject them to prolonged exposure to direct sunlight, high humidity or high temperatures.
- Clean the discs with a soft dry cleaning cloth starting from the centre and working outwards. Never use strong chemicals such as solvents or thinners.
- Always put discs back into their storage cases after use.

Product description

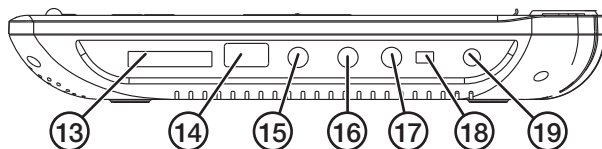
- Portable DVD player with a 180° swivel 9-inch screen
- USB and SD memory card slots
- Built-in rechargeable battery
- Powered by 100–240 V, 50/60 Hz via the included mains adaptor.
- Can also be powered by 12 V via the included 12 V cigarette lighter cable

Buttons and functions

DVD Player



1. [◀/◀◀] Move left/back in menus, rotate pictures to the left, fast reverse at 2, 4, 8, 16 or 32 times normal speed.
2. [ENTER] Confirm selection, enter submenus and playlists.
3. [▶/▶▶] Move right/forward in menus, rotate pictures to the right, fast forward at 2, 4, 8, 16 or 32 times normal speed.
4. [▼/▶▶] Move down in menus, reverse pictures and play the next video file during video playback.
5. [▲/◀◀] Move up in menus, reverse pictures and play the previous video file during video playback.
6. [MENU] Return to the playlist during video playback.
7. [VOL-/VOL+] Volume
8. [SETUP] Enter the settings menu.
9. [SOURCE] Select playback source: DVD, USB flash drive or memory card.
10. [▶||] Play/Pause
11. [■] Stop
12. Open the CD/DVD compartment



- | | |
|-----------------------------|---------------------|
| 13. Memory card slot | 17. AV socket |
| 14. USB port | 18. On/off button |
| 15. 3.5 mm headphone socket | 19. DC input socket |
| 16. Coaxial audio outlets | |

Remote control

20. [STEP] Display a still image; press [STEP] to advance frame by frame.
21. [SEARCH] Skip to a new place in a DVD film based on time, chapter or title. Press the button repeatedly in order to be able to enter the time, chapter or title.
22. [MUTE] Turn the audio off.
23. [SOURCE] Select playback source: DVD, USB flash drive or memory card.
24. [0]–[9] Numerical keys for selecting tracks from your playlist and other commands requiring digits.
25. [10+] For entering numbers from 10 and upwards.
26. [DISPLAY] Press repeatedly to select in which way the playback time is displayed.
27. [SUBTITLE] Press repeatedly to change language or subtitles during DVD playback if such a function is supported by the disc.
28. [ANGLE] View the video material from various camera angles if such material is available on the disc.



29. [AUDIO] Press repeatedly to change language or soundtrack if such a function is supported by the disc.
30. [MENU/PBC] Enter the DVD menu, PBC (Playback control) on/off. PBC is used to control the playback of VCDs using the remote control. Note: Not all VCDs have PBC functions.
31. [TITLE] Return to the DVDs title page if there is one on the disc.
32. [▲] Direction button.
33. [■] Stop
34. [||▶] Play/pause
35. [◀] Direction button.
36. [ENTER] Confirm menu selection.
37. [▶] Direction button.
38. [MODE] Brightness, contrast, colour and saturation setup.
39. [SETUP] Enter the general settings menu.
40. [▼] Direction button.
41. [VOL -] Decrease the volume.
42. [VOL +] Increase the volume.
43. [REPEAT]
 - DVD:** Choose whether to either repeat the chapter, current title, all titles or turn off the repeat function.
 - VCD:** Choose whether to either repeat the file, all files or turn off the repeat function.
 - CD, MP3:** Choose whether to either repeat the current title, the entire folder or turn off the repeat function.
44. [SLOW] Press this button repeatedly to slow down the playback speed.
1/2, 1/4, 1/8, 1/16 or normal speed.
45. [I◀◀] Skip to the previous chapter/track.
46. [▶▶I] Skip to the next chapter/track.
47. [PROGRAM] Programme your favourite chapter/track. Use the numerical keys to enter a title, chapter or track and then select **PLAY** in the menu. To return to normal playback, press [PROGRAM] and select **CLEAR** in the menu. Press [PROGRAM] again to exit the programme menu.
48. [Zoom]
 - DVD, VCD:** Zoom in/out on a picture during playback or in pause mode. Each press of the button enlarges or diminishes the picture in the following order: 2 X – 3 X – 4 X magnification – 1/2–1/3–1/4 reduction – normal size.
 - JPEG:** Press [ZOOM] followed by [◀◀] or [▶▶] to reduce/enlarge the picture. Use [▶][◀][▼][▲] to move around inside the enlarged picture.
49. [◀◀] Fast reverse DVD/media file playback at 2, 4, 8, 16 or 32 times the normal speed.
50. [▶▶] Fast forward DVD/media file playback at 2, 4, 8, 16 or 32 times the normal speed.

Getting started

Remote control

Insert a battery (CR2025) into the remote control if there is not already one in it.

1. Push the catch to the right and pull the battery holder out.



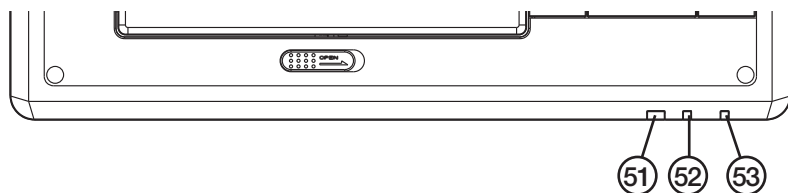
2. Insert 1 x CR2025 battery, ensuring that the polarity is correct.
3. Connect the mains lead to the DVD player and plug the adaptor into a wall socket (100–240 V, 50/60 Hz) or plug the 12 V cable into a 12 V power socket and connect it to the DVD player.

Charging the built-in battery

The battery can either be charged using the mains adaptor or the 12 V cigarette lighter cable. A completely discharged battery takes roughly 3–4 hours to fully charge.

Note: The DVD player automatically switches to maintenance charge when the battery is fully charged.

The indicator lights on the front of the DVD show the charge status.



51. IR receiver for remote control signals
52. The red light comes on when power is on and fades when power is off.
53. Red light indicates charging; green light indicates fully charged

Use

General setup

- Press [SETUP] to display the setup menu.
- Use the direction buttons [▶][◀][▼][▲] to navigate, enter the sub-menus and working towards the right, make the desired settings.
- After making your settings under GENERAL SETUP PAGE, press [◀] to return to the main categories.
- Confirm your selection by pressing [ENTER].

The main categories and their sub-menus

GENERAL SETUP PAGE

General settings with the following sub-menus:

- **TV Display:** Picture format
- **Angle Mark:** Display or deactivate information about different camera angles used for video material if such information is available on the disc.
- **OSD Language:** Choose the desired language.
- **Closed caption:** Display or deactivate hidden text captions if there are any on the disc and the function is supported by your TV.
- **Screen saver:** Turns the screensaver on or off.

AUDIO SETUP PAGE

Audio settings with the following sub-menus:

- **Downmix:** Analogue audio settings.
 - **LT/RT:** Used if the DVD player is connected to a Dolby Pro Logic surround sound system.
 - **STEREO:** Used if the DVD player's built-in loudspeakers are used.
- **Digital output:** Digital audio settings.
 - **SPDIF/OFF:** Deactivates the SPDIF audio output.
 - **SPDIF/RAW:** Used if the DVD player is connected to a multi-channel surround sound system via the digital audio output.
 - **SPDIF/PCM:** Used if your audio player cannot handle multi-channel stereo.
- **Dolby Digital:** 5.1 audio settings: Dual Mono, Stereo, L-mono, R-mono, Mix-mono and Dynamic.

VIDEO SETUP PAGE

Video settings with the following sub-menus:

- **Brightness**
- **Contrast**
- **Hue**
- **Saturation**

PREFERENCE PAGE

Personal settings with the following sub-menus:

- **TV type:** Select TV system – PAL, NTSC or AUTO.
- **Audio:** Selects the audio output language (if available).
- **Subtitle:** Selects the subtitle language (if available).
- **Disc menu:** Selects the disc menu language (if available).
- **Parental:** Parental control. Requires a password. **Note:** The preset password is 1369.

Set the parental control level restricting “adult content” if supported by the disc. There are 8 levels; level 1 is “suitable for children” whilst level 8 is “adult content”. Certain discs have a parental control function for the entire disc or sections of the disc. On these discs, the level can be set for the entire disc or just for certain sections of the disc.

Note: The levels are country dependent and only work if the DVD supports this function. VCDs, SVCDs and CDs do not support this function. Most illegal DVDs also lack this function. Certain DVDs lack this function despite the fact that a classification category is printed on the packaging.

- **Default:** Resets the DVD player to factory default settings.

PASSWORD

Password setup page:

- **Password mode:** Activates or deactivates the password function.
Note: If the password function is deactivated, no password is required in order to change the parental control level.
- **Password:** Changing the password:
 1. First enter the current password in the “OLD PASSWORD” box using the numerical keys on the remote control. The cursor will automatically jump to “NEW PASSWORD”.
 2. Enter the new password. The password must be 4 digits.
 3. The cursor will automatically jump to “CONFIRM PASSWORD”.
 4. Confirm the new password by entering it once more (if an incorrect password is entered, the cursor will stay in the box).
 5. The cursor automatically jumps to “OK”, press [ENTER] to confirm and exit.

Note: If the password is changed, the parental control password is also changed. The default password, 1369 can always be used even if the password has been changed.

Playback

1. Press [SOURCE] and select an audio source, CD/DVD, memory card or USB flash drive.
2. Navigate and control playback as described in the *Buttons and functions* section.

Troubleshooting guide

The product does not turn on or turns off by itself.	<ul style="list-style-type: none"> • Make sure the DVD battery is fully charged. • Make sure that the mains adaptor and its cable are undamaged and correctly plugged into the wall socket and DVD player. • Check to see if there is power at the wall socket • If using a 12 V cable, make sure it is not damaged and that it is plugged into a 12 V socket and the DVD player. • Check to see if there is power at the 12 V socket. Note: Some cars need the ignition to be on for the 12 V socket to work. • Start the device by turning it on and off with the switch.
The product does not react to the remote's commands.	<ul style="list-style-type: none"> • Make sure that the remote control battery is not discharged. • Make sure that the battery is inserted correctly. • Make sure the remote is aimed at the sensor on the front of the DVD player. • Make sure that nothing is blocking the signal from the remote and that you are not out of range of the DVD player.
No picture or sound.	<ul style="list-style-type: none"> • Make sure that all sound and video leads are correctly connected. • Make sure that the disc is one of the following: DVD, DVD-R, DVD-RW or CD. • Make sure that the disc is whole, scratch-free and inserted correctly with the label facing upwards. • Make sure the DVD player's laser pickup is not dirty. Contact Customer Services if this is the case. • Make sure that any connected TV is set to the correct channel (VIDEO, AV, etc.). • Change your media file, some files can be damaged or of poor quality.
No sound.	<ul style="list-style-type: none"> • Make sure that the lid is open. When the DVD player lid is closed, sound can only be activated via the audio or headphone outlet. • Change your media file, some files can be damaged or of poor quality.
Poor sound or picture	<ul style="list-style-type: none"> • Check that none of the cables are damaged and that they are all properly connected. • Check the disc. Use a clean and scratch-free disc. • Change your media file, some files can be damaged or of poor quality.

Disposal

Disposal of this product should be in accordance with local regulations. If you are unsure how to proceed, contact your local authority.

Specifications

Mains connection	100–240 V AC, 50/60 Hz or 12 V DC
Power consumption	<10 W
Weight	0.9 kg
Size (l x w x h)	250 × 191 × 42 mm
Screen	9"
Outputs	Video output 1.0 V (p-p)/75 Ω Audio output 1.2 V rms (1 kHz, 0 dB)
Output power	Speakers 2 × 1 W, 3.5 mm headphone socket
Remote control	1 × CR 2025 battery

System

Laser	Semiconductor laser, wavelength 650 nm
Signal system	PAL/NTSC
Frequency response	20 Hz to 20 kHz (±1 dB)
SNR	Over 80 dB (analogue output)
Dynamic range	Over 85 dB (DVD/CD)

Battery

Terminal voltage	7.4 V
Charging time	3–4 hours
Operating time	Approximately 2 hours and 15 minutes

Storage and usage environment

Storage environment	Temperature	Humidity
6 months	–20 to +45 °C	65±20 %
1 week	–20 to +65 °C	65±20 %

Usage environment	Temperature	Humidity
Standard charge	0 to +45 °C	65±20 %
Standard discharge	–20 to +65 °C	65±20 %

9" Portabel DVD-spelare med vridbar skärm

Art.nr 18-8272 Modell PDVD-12809B-UK
38-4574 PDVD-12809B

Läs igenom hela bruksanvisningen före användning och spara den sedan för framtida bruk. Vi reserverar oss för ev. text- och bildfel samt ändringar av tekniska data. Vid tekniska problem eller andra frågor, kontakta vår kundtjänst (se adressuppgifter på baksidan).

Säkerhet



KLASS 1 LASERAPPARAT

Varning! Öppna inte höljet eftersom du då kan utsättas för synlig laserstrålning som kan orsaka ögonskador. Rikta inte blicken mot strålen och titta inte direkt på den genom optiska instrument.

- Produkten får inte demonteras eller ändras. Farlig spänning finns oskyddad på komponenter inuti produktens hölje. Kontakt med dessa kan leda till brand eller ge elektriska stötar.
- Strömbrytaren är sekundärt kopplad och bryter inte strömmen från nätet.
- Se till att uttaget där nätadaptern sitter är lättillgängligt eftersom nätadaptern på apparatens nätsladd används som frånkopplingsanordning från elnätet.
- Utsätt aldrig produkten för höga temperaturer, dammig miljö, starka vibrationer, stötar, fukt eller väta.
- Placera inte produkten så att den kan falla ner i vatten eller annan vätska. Ställ inte heller några föremål som innehåller vätska på produkten, t.ex. en blomvas eller dryck.
- Täck inte över anläggningen. Anläggningens ventilationshål och öppningar får inte blockeras.
- Placera inte apparaten i ett för trångt utrymme så att inte luften kan cirkulera runt. Tillräcklig ventilation är nödvändig för att förhindra att anläggningen blir för varm.
- Placera inte produkten på ett mjukt underlag t.ex. filt, kudde eller täcke. Använd ett hårt underlag för att produkten ska få tillräcklig kylning.
- Produkten är endast avsedd för inomhusbruk.
- Placera inte tunga och/eller vassa föremål på LCD-displayen.
- Om en USB-kabel används för att ansluta t.ex. en mediaspelare får den inte vara längre än 25 cm.
- Använd endast den bifogade nätadaptern.

- Misshandla inte nätsladden. Se till att nätsladden inte kommer i kontakt med värme, vassa kanter eller kläms på något sätt.
- Dra ur nätadaptern ur vägguttaget under natten och när du reser bort.
- Skydda din hörsel. Lyssning med hög volym under lång tid kan leda till bestående hörselskador.
- Produkten får inte användas av personer (inklusive barn) med begränsad fysisk eller mental förmåga. Den får inte heller användas av personer utan tillräcklig erfarenhet och kunskap om de inte har fått instruktioner om användningen av någon som ansvarar för deras säkerhet.
- Om onormal lukt uppstår eller om produkten överhettas vid användning, stäng genast av apparaten. Om nätadaptern används, dra omedelbart ur den ur vägguttaget. Använd inte apparaten förrän den kontrollerats av kvalificerad servicepersonal.
- Produkten får endast repareras av kvalificerad servicepersonal och endast med originalreservdelar.

Skötsel och underhåll

Rengöring

- Dra alltid ur nätadaptern ur vägguttaget före rengöring.
- Se till att ingen vätska kommer in i DVD-spelaren.
- Använd endast en lätt fuktad trasa med ett mildt rengöringsmedel vid rengöring av höljet.
- Använd aldrig lösningsmedel, inte heller frätande eller slipande rengöringsmedel.
- Produkter för rengöring av skärmen finns att köpa separat.

Vårda skivorna

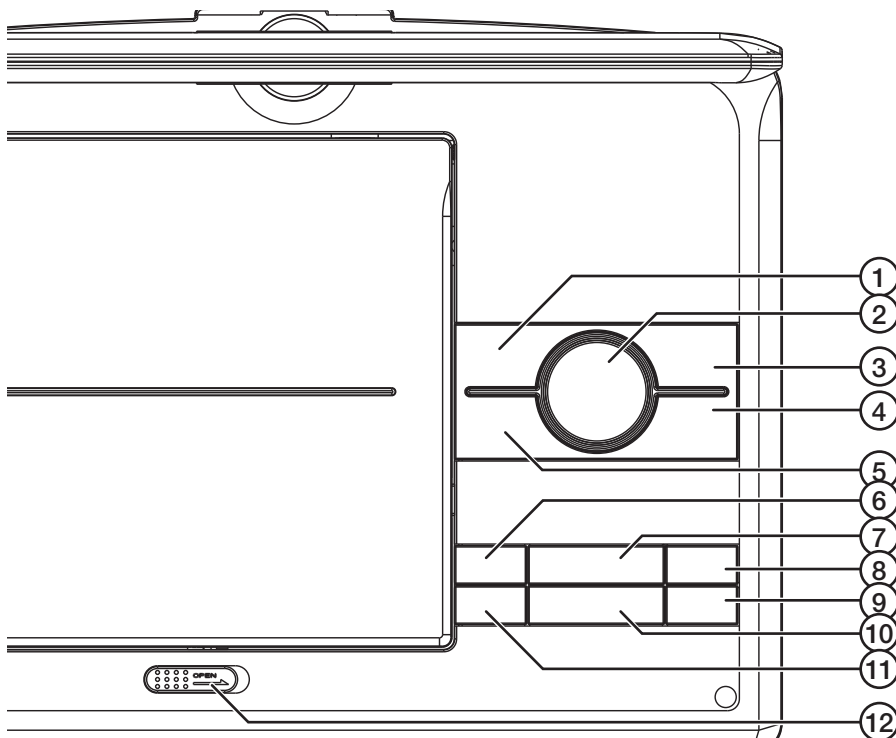
- Håll skivan i hålet och kanten när den hanteras för att undvika fingeravtryck och smuts på skivan.
- Böj inte skivan och utsätt den inte för direkt solljus eller annan värmekälla.
- Rengör endast skivorna med en torr, mjuk trasa från centrum och utåt, använd aldrig rengöringsmedel eller starka lösningsmedel.
- Förvara skivorna i sina fodral.

Produktbeskrivning

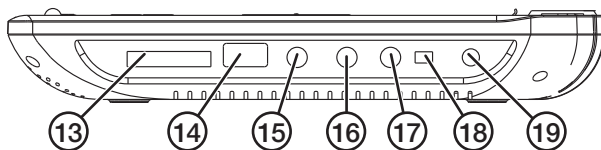
- Portabel DVD-spelare med 9" skärm som är vridbar i 180°
- Ingångar för USB-minne och SD-kort
- Inbyggt, laddningsbart batteri
- Drivs med 100–240 V, 50/60 Hz via medföljande nätadapter
- Kan också drivas med 12 V via medföljande 12 V anslutningskabel

Knappar och funktioner

DVD-spelare



1. [◀/◀◀] Navigera vänster/tillbaka i menyer, rotera bilder åt vänster, snabbspola bakåt med 2, 4, 8, 16 eller 32 gångers hastighet.
2. [ENTER] Bekräfta val, öppna undermenyer och spellistor.
3. [▶/▶▶] Navigera höger/framåt i menyer, rotera bilder åt höger, snabbspola framåt med 2, 4, 8, 16 eller 32 gångers hastighet.
4. [▼/▶▶] Navigera nedåt i menyer, spegelvänd bilder och spela upp nästa videofil under uppspelning av video.
5. [▲/◀◀] Navigera uppåt i menyer, spegelvänd bilder och spela upp föregående videofil under uppspelning av video.
6. [MENU] Gå tillbaka till spellistan under uppspelning av video och bilder.
7. [VOL-/VOL+] Volym
8. [SETUP] Öppnar menyn för inställningar.
9. [SOURCE] Val av uppspelningskälla: DVD, USB-minne eller minneskort.
10. [▶||] Play, pause
11. [■] Stopp
12. Öppnar luckan för CD/DVD-skivor



- 13. Uttag för minneskort
- 14. Uttag för USB-minne
- 15. 3,5 mm hörlursuttag
- 16. Koaxial ljudutgång
- 17. AV-utgång
- 18. På/av
- 19. Ingång för nätdapter eller 12 V-kabel

Fjärrkontroll

- 20. [STEP] Visa stillbild, tryck på [STEP] för att stega fram bildruta för bildruta.
- 21. [SEARCH] Hoppa till nytt ställe i DVD-filmen baserat på tid, kapitel eller titel. Tryck upprepade gånger för att kunna skriva in tid, kapitel eller titel.
- 22. [MUTE] Tyst
- 23. [SOURCE] Val av uppspelningskälla: DVD, USB-minne eller minneskort.
- 24. [0]–[9] Sifvertangenter för val av numererade filer i en spel-lista, övriga sifferkommandon, lösenord m.m.
- 25. [10+] För att skriva in tal från 10 och uppåt.
- 26. [DISPLAY] Tryck upprepade gånger för att välja på vilket sätt uppspelningstiden ska visas.
- 27. [SUBTITLE] Tryck upprepade gånger för att byta språk på textningen under uppspelning från DVD om sådan funktion finns tillgänglig på skivan.
- 28. [ANGLE] Se det inspelade video-materialet från olika kameravinklar om sådant material finns tillgängligt på skivan.



29. [AUDIO] Tryck upprepade gånger för att byta språk eller ljudspår om sådan funktion finns tillgänglig på skivan.
30. [MENU/PBC] Öppna DVD-menyn, PBC (Playback control) på/av. PBC används för att från fjärrkontrollen styra uppspelningen av VCD-skivor (Video CD).
Obs! Alla VCD-skivor har inte PBC-funktioner.
31. [TITLE] Återvänd till DVD-skivans titelmeny om sådan finns tillgänglig på skivan.
32. [▲] Navigationsknapp
33. [■] Stopp
34. [||▶] Play, pause
35. [◀] Navigationsknapp
36. [ENTER] Bekräfta menyval
37. [▶] Navigationsknapp
38. [MODE] Inställning av ljusstyrka, kontrast, färgton och färgmättnad.
39. [SETUP] Öppnar menyn för grundinställningar.
40. [▼] Navigationsknapp
41. [VOL-] Sänk volymen
42. [VOL+] Höj volymen
43. [REPEAT]
DVD: Välj mellan att repetera kapitel, aktuell titel, alla titlar eller stäng av repetition.
VCD: Välj mellan att repetera en fil, alla filer eller stäng av repetition.
CD, MP3: Välj mellan att repetera aktuell titel, hel mapp eller stäng av repetition.
44. [SLOW] Tryck upprepade gånger på [SLOW] för att välja uppspelningshastighet. 1/2, 1/4, 1/8, 1/16 eller normal hastighet.
45. [I◀◀] Gå till föregående kapitel/spår.
46. [▶▶I] Gå till nästa kapitel/spår.
47. [PROGRAM] Programmera favoritkapitel/spår. Använd sifferknapparna för att skriva in titel, kapitel eller spårnummer och välj **PLAY** i menyn. För att återgå till normal uppspelning tryck [PROGRAM] och välj **CLEAR** från menyn. Tryck [PROGRAM] igen för att gå ur programmenyn.
48. [ZOOM]
DVD, VCD: Zooma in/ut i bilden under uppspelning eller från pausläge. Varje tryckning förstorar och förminskar bilden i följande ordning: 2 X – 3 X – 4 X förstoring – 1/2–1/3–1/4 förminskning – normal storlek.
JPEG: Tryck [ZOOM] och sedan [◀◀] eller [▶▶] för att förminska/förstora bilden. Använd [▶][◀][▼][▲] för att flytta runt i den förstorade bilden.
49. [◀◀] Snabbspola DVD-uppspelning och uppspelning av mediafiler bakåt med 2, 4, 8, 16 eller 32 gångers hastighet.
50. [▶▶] Snabbspola DVD-uppspelning och uppspelning av mediafiler framåt med 2, 4, 8, 16 eller 32 gångers hastighet.

Att komma igång

Fjärrkontroll

Sätt i ett batteri (CR2025) i fjärrkontrollen om det inte redan är monterat.

1. Tryck snäpplåset till höger samtidigt som batterihållaren dras rakt ut.



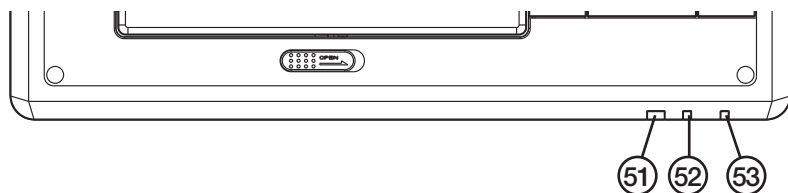
2. Sätt i 1 x CR2025-batteri och se till att plusmärkningen (+) på batteriet överensstämmer med plusmärkningen på batterihållaren.
3. Anslut nätsladden till ingången på DVD-spelaren och nätadaptern till ett vägguttag (100–240 V, 50/60 Hz) eller anslut 12 V-kabeln till en 12 V-strömkälla och till ingången på DVD-spelaren.

Laddning av det inbyggda batteriet

Batteriet laddas genom att nätadaptern eller 12-V kabeln är ansluten till respektive strömkälla. Laddtiden är cirka 3–4 timmar från urladdat batteri till fulladdat.

Obs! Laddningen övergår till underhållsladdning när batteriet är fulladdat.

Lamporna på DVD-spelarens framsida visar laddstatus.



51. IR-mottagare för signaler från fjärrkontrollen.
52. Lyser rött när DVD-spelaren slås på och släcks när spelaren slås av.
53. Lyser rött när batteriet laddas och grönt när batteriet är fulladdat.

Användning

Grundinställningar

- Tryck [SETUP] för att komma till inställningsmenyerna.
- Använd [▶][◀][▼][▲] för att navigera och för att gå ut i undermenyerna till höger och göra önskade inställningar.
- När inställningarna under t.ex. GENERAL SETUP PAGE är klara, tryck [◀] för att gå tillbaka upp till huvudkategorierna.
- Bekräfta valen med [ENTER].

Huvudkategorierna och deras undermenyer

GENERAL SETUP PAGE

Allmänna inställningar med undermenyerna:

- **Tv Display:** Anpassa bildstorleken.
- **Angle Mark:** Visa eller stäng av information om olika kameravinklar som använts för att spela in videomaterialet om sådan information finns tillgänglig på skivan.
- **Osd Language:** Välj önskat språk för menyerna.
- **Closed caption:** Visa eller stäng av dold undertext om sådan finns på skivan och stöds av ansluten TV.
- **Screen saver:** Slå på eller av skärmläckare.

ANALOG AUDIO SETUP PAGE

Ljudinställningar med undermenyerna:

- **Downmix:** För inställning av det analoga utljudet.
 - **LT/RT:** Används om DVD-spelaren är ansluten till en Dolby Pro Logic surroundanläggning.
 - **STEREO:** Används om DVD-spelarens egna högtalare används.
- **Digital output:** För inställning av det digitala utljudet.
 - **SPDIF Off:** Stäng av SPDIF utljud.
 - **SPDIF/RAW:** Används om DVD-spelaren från digital ljudutgång är ansluten till en flerkanals surroundanläggning.
 - **SPDIF/PCM:** Används om ansluten anläggning inte kan hantera flerkanalsstereo.
- **Dolby Digital:** Gör olika inställningar av 5.1 ljud: Dual Mono, Stereo, L-mono, R-mono, Mix-mono och Dynamic.

VIDEO SETUP PAGE

Videoinställningar med undermenyerna:

- **Brightness:** Ljusstyrka
- **Contrast:** Kontrast
- **Hue:** Färgton
- **Saturation:** Färgmättnad

PREFERENCE PAGE

Egna inställningar med undermenyerna:

- **TV-typ:** Välj TV-system PAL, NTSC eller AUTO.
- **Audio:** Välj språk för utljud om sådant finns tillgängligt.
- **Subtitle:** Välj språk för undertexter om sådant finns tillgängligt.
- **Disc menu:** Välj språk för skivmenyn om sådant finns tillgängligt.
- **Parental:** Föräldrakontroll. Lösenord krävs. **Obs!** Det fabriksinställda lösenordet är 1369.

Ställ in nivå för "barnförbjudet material" om sådan funktion finns tillgänglig på skivan. Nivåer finns från 1 "barntillåtet" till 8 "barnförbjudet". Vissa skivor har funktionen för hela eller delar av skivan. På dessa skivor kan nivå ställas in för hela eller för vissa delar av skivan.

Obs! Nivåerna är landsberoende och fungerar bara om DVD-skivan kan hantera denna funktion. VCD-, SVCD- och CD-skivor har inte denna funktion. De flesta illegala DVD-skivor saknar också funktionen. Vissa DVD-skivor saknar funktionen trots att någon typ av åldersbegränsning står tryckt på förpackningen.

- **Default:** Återställ DVD-spelaren till fabriksinställningarna.

PASSWORD

Inställning av lösenord med undermenyerna:

- **Password mode:** Stäng av eller slå på lösenordsfunktion.
Obs! Om lösenordsfunktionen är avstängd behövs inget lösenord för att förändra nivån för "barnförbjudet material".
- **Password:** Byte av lösenord:
 1. Skriv först in gällande lösenord i rutan vid "Old password" genom att använda fjärrkontrollens sifferknappar. Markören flyttas till "New password".
 2. Skriv in det nya lösenordet. Lösenordet ska bestå av 4 siffror.
 3. Markören flyttas till "Confirm password".
 4. Bekräfta det nya lösenordet genom att skriva in det en gång till (om ett felaktigt lösenord skrivs in stannar markören i rutan).
 5. Markören aktiverar "OK"-knappen, tryck [ENTER] för att bekräfta och avsluta.

Obs! Om lösenordet ändras, ändras också lösenordet för föräldrakontroll.

Det fabriksinställda lösenordet (1369) kan alltid användas även om lösenordet ändras.

Uppspelning

1. Tryck [SOURCE] och välj önskad uppspelningskälla, CD/DVD, minneskort eller USB-minne.
2. Navigera och kontrollera uppspelningen på det sätt som beskrivs under avsnittet *Knappar och funktioner* ovan.

Felsökningschema

Enheten startar inte eller slår av sig själv.	<ul style="list-style-type: none">• Se till att DVD-spelarens batteri är laddat.• Kontrollera att nätadaptorn och dess kabel är hel och att den är korrekt ansluten till vägguttaget och till DVD-spelaren.• Kontrollera att det finns ström i vägguttaget.• Om 12 V-kabeln används, se till att den är hel och korrekt ansluten till ett 12 V-uttag och till DVD-spelaren.• Kontrollera att det finns ström i 12 V-uttaget. Obs! Vissa bilar behöver ha tändningen på för att 12 V-uttaget ska leverera ström.• Starta om enheten genom att slå av och på strömbrytaren.
Enheten reagerar inte på fjärrkontrollens knappar.	<ul style="list-style-type: none">• Kontrollera att fjärrkontrollens batteri inte är förbrukat.• Kontrollera att batteriet sitter rättvänt i fjärrkontrollens batterihållare.• Se till att fjärrkontrollen är riktad mot sensorn på DVD-spelarens framsida.• Se till att inget föremål skymmer fjärrkontrollens signaler och att du inte befinner dig för långt ifrån DVD-spelaren.
Ingen bild eller inget ljud.	<ul style="list-style-type: none">• Kontrollera att eventuella ljud- och bildkablar är hela och korrekt anslutna.• Kontrollera att skivan som används är av typ: DVD, DVD-R, DVD-RW eller CD.• Se till att skivan är hel och repfri och att den är korrekt placerad med etiketten vänd uppåt.• Kontrollera att DVD-spelarens laserpickup inte är nedsmutsad. Kontakta kundtjänst om så är fallet.• Kontrollera att ev. ansluten TV-apparat är inställd på rätt kanal (VIDEO, AV, etc.).• Byt mediafil, vissa filer kan vara skadade eller vara av dålig kvalitet.
Inget ljud.	<ul style="list-style-type: none">• Se till att locket är öppet. När locket är stängt är ljudet endast aktiverat via någon av ljudutgångarna eller hörlursutgången.• Byt mediafil, vissa filer kan vara skadade eller vara av dålig kvalitet.
Dåligt ljud och/eller dålig bild.	<ul style="list-style-type: none">• Kontrollera att alla kablar är hela och korrekt anslutna.• Kontrollera skivan. Använd en ren och repfri skiva.• Byt mediafil, vissa filer kan vara skadade eller vara av dålig kvalitet.

Avfallshantering

När du ska göra dig av med produkten ska detta ske enligt lokala föreskrifter. Är du osäker på hur du ska gå tillväga, kontakta din kommun.

Specifikationer

Nätanslutning	100–240 V AC, 50/60 Hz eller 12 V
Effektförbrukning	<10 W
Vikt	0,9 kg
Mått L x B x H	250 x 191 x 42 mm
Skärm	9"
Utgångar	Videoutgång 1,0 V (p-p)/75 Ω Audioutgång 1,2 V rms (1 kHz, 0 dB)
Uteffekt	Högtalare 2 x 1 W, 3,5 mm hörlursutgång
Fjärrkontroll	1 x CR 2025-batteri

System

Laser	Halvledarlaser, våglängd 650 nm
Signalsystem	PAL/NTSC
Frekvensomfång	20 Hz till 20 kHz (±1 dB)
S/N-nivå	Bättre än 80 dB (analog utgång)
Dynamik	Bättre än 85 dB (DVD/CD)

Batteri

Polspänning	7,4 V
Laddningstid	3–4 timmar
Drifttid	Ca 2 timmar och 15 minuter

Lagring och användning

Lagring	Temperatur	Luftfuktighet
6 månader	–20 till +45 °C	65±20 %
1 vecka	–20 till +65 °C	65±20 %

Användning	Temperatur	Luftfuktighet
Standardladdning	0 till +45 °C	65±20 %
Standardurladdning	–20 till +65 °C	65±20 %

9" Portabel DVD-spiller med dreibar skjerm

Art.nr. 18-8272 Modell PDVD-12809B-UK
38-4574 PDVD-12809B

Les nøye igjennom hele bruksanvisningen og ta vare på den til senere bruk. Vi reserverer oss mot ev. tekst- og bildefeil, samt forandringer av tekniske data. Ved tekniske problemer eller andre spørsmål, ta kontakt med vårt kundesenter (se opplysninger på baksiden).

Sikkerhet



KLASSE 1 LASERAPPARAT

Advarsel! Dekselet må ikke åpnes. Under dekselet er det usynlige laserstråler som kan føre til skader på øynene. Rett ikke blikket mot strålen, og se ikke rett på den gjennom optiske instrumenter.

- Produktet må ikke demonteres eller forandres på. Farlig spenning ligger ubeskyttet på visse komponenter under produktets deksel. Kontakt med disse kan føre til brann eller gi elektriske støt.
- Strømbryteren er sekundærkoblet og bryter ikke strømmen mellom nettet og apparatet.
- Påse at uttaket, der støpselet plugges inn, er lett tilgjengelig fordi støpselet til apparatet også brukes til å koble apparatet fra strømmettet.
- Utsett aldri produktet for høye temperaturer, fuktighet, støvete omgivelser, sterke vibrasjoner eller støt.
- Plasser ikke produktet slik at det kan komme i kontakt med vann eller annen væske. Plasser aldri produktet nær gjenstander som kan føre til at væske skylles over produktet.
- Produktet må ikke tildekkes. Anleggets ventilasjonsåpninger må ikke tildekkes.
- Plasser ikke apparatet i et for trangt rom slik at luften rundt ikke kan sirkulere fritt. Tilstrekkelig ventilasjon er nødvendig for å forhindre at apparatet blir for varmt.
- Plasser ikke produktet på et mykt underlag som f.eks. på en pute eller dyne. Sørg for hardt underlag slik at produktet får tilstrekkelig avkjøling.
- Produktet er kun beregnet for innendørs bruk.
- Plasser ikke tunge eller skarpe gjenstander på displayet.
- Hvis man bruker usb-kabel som kobling til for eksempel en mediaspiller, må den ikke være lengre enn 25 cm.
- Bruk kun den medfølgende strømadapteren.
- Påse at ikke strømledningen skades. Påse at strømledningen ikke kommer i kontakt med varme, olje, skarpe kanter eller annet som kan skade den.

- Trekk strømadapteren ut av vegguttaket om natten og når du reiser bort.
- Beskytt hørselen din. Lytting med høyt volum over lengre tid kan føre til varige hørselsskader.
- Produktet må ikke benyttes av personer (inkl. barn) med begrensede fysiske eller mentale ferdigheter. Det må heller ikke benyttes av personer som ikke har tilstrekkelig erfaring og kunnskap eller ikke har fått instruksjon om bruken av personen som har ansvaret for deres sikkerhet.
- Hvis det oppstår unormal lukt eller hvis produktet overopphetes ved bruk må det skrus av umiddelbart. Hvis adapter benyttes, trekk den umiddelbart ut av strømuttaket. Bruk ikke apparatet før det er kontrollert av kvalifisert servicepersonale.
- Produktet skal kun repareres av kvalifisert servicepersonale og kun med originale reservedeler.

Stell og vedlikehold

Rengjøring

- Trekk alltid nettdapteren ut fra strømuttaket før rengjøring.
- Påse at det ikke kommer væske inn i DVD-spilleren.
- Bruk kun en lett fuktet klut med et mildt rengjøringsmiddel på ved rengjøring av dekselet.
- Bruk aldri slipende eller etsende rengjøringsmidler eller sterke løsemidler.
- Produkter for rengjøring av skjerm fås kjøpt separat.

Stell av plater

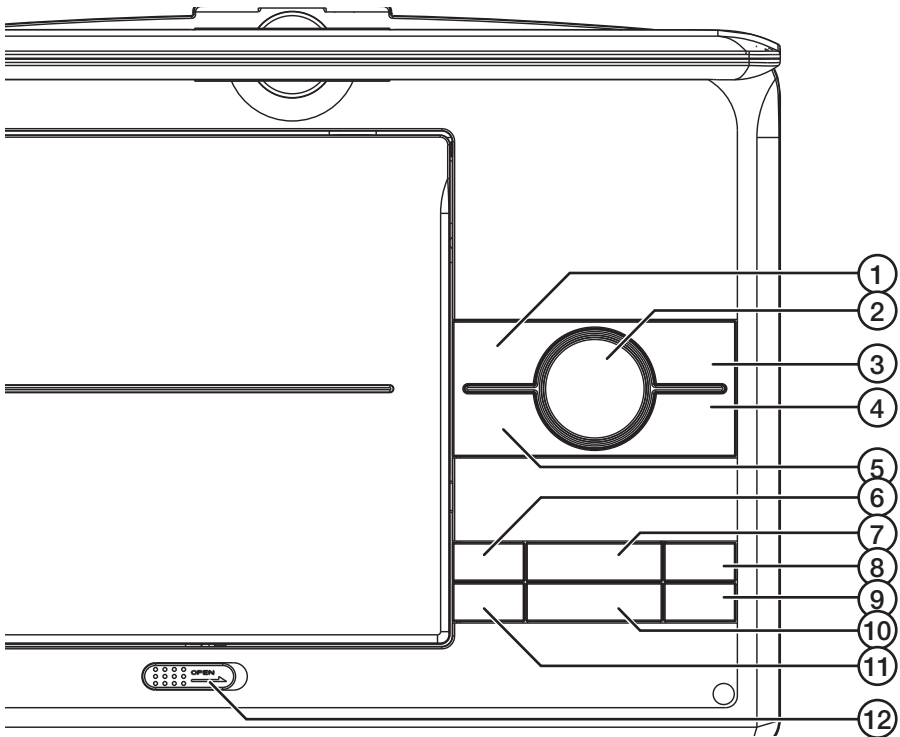
- Hold platen i hullet og på kanten når du håndterer den, så det ikke kommer fingeravtrykk på selve platen.
- Platen må ikke bøyes eller utsettes for direkte sollys eller annen varme.
- Platene skal kun rengjøres med en tørr myk klut. Stryk fra sentrum av platen og utover. Bruk aldri rengjøringsmidler eller sterke løsemidler.
- Oppbevar platene stående i sine futteraler.

Produktbeskrivelse

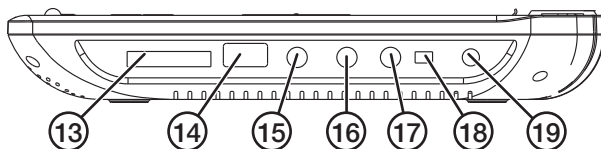
- Portabel DVD-spiller med 9" skjerm som er dreibar i 180°
- Innganger for usb-minne og SD-minnekort
- Innebygd ladbart batteri
- Drives med 100–240 V, 50/60 Hz via medfølgende strømadapter
- Kan også drives med 12 V via medfølgende strømkabel

Knapper og funksjoner

DVD-spiller



1. [◀/◀◀] Navigere til venstre eller bakover i menyer, rotere bilder mot venstre, hurtigspole bakover med 2, 4, 8, 16 eller 32 x raskere.
2. [ENTER] Bekrefte valg, åpne undermenyer og spillelister.
3. [▶/▶▶] Navigere til høyre eller framover i menyer, rotere bilder mot høyre, hurtigspole framover med 2, 4, 8, 16 eller 32 x raskere.
4. [▼/▶▶] Navigere nedover i menyer, speilvender bilder og spille av neste videofil under avspilling av video.
5. [▲/◀◀] Navigere oppover i menyer, speilvender bilder og spille av foregående videofil under avspilling av video.
6. [MENU] Gå tilbake til spillelisten under avspeling av video og bilder.
7. [VOL-/VOL+] Justere volumet.
8. [SETUP] Åpner menyen for grunninnstillinger.
9. [SOURCE] Valg av avspilingskilde: DVD, USB-minne eller minnekort.
10. [▶||] Play/Pause.
11. [■] Stopp.
12. Åpner luken for CD/DVD-plater.



- 13. Uttak for minnekort
- 14. Uttak for usb-minne
- 15. 3,5 mm hodetelefonuttak
- 16. Koaksial lyduttang

- 17. AV-uttang
- 18. På/Av
- 19. Inngang for nettdapter eller 12 V-kabel

Fjernkontroll

- 20. [STEP] Vise stillbilde, trykk på [STEP] for å gå fram bilderute for bilderute.
- 21. [SEARCH] Hoppe til nytt sted i DVD-filmen basert på tid, kapittel eller tittel. Trykk gjentatte ganger for å kunne skrive inn tid, kapittel eller tittel.
- 22. [MUTE] Stille.
- 23. [SOURCE] Valg av avspillingskilde: DVD, USB-minne eller minnekort.
- 24. [0]–[9] Talltaster for valg av nummererte filer i en spilleliste, øvrige tallkommandoer, passord etc.
- 25. [10+] For å skrive inn tall fra 10 og oppover.
- 26. [DISPLAY] Trykk gjentatte ganger for å velge hvordan avspillingstiden skal vises.
- 27. [SUBTITLE] Trykk gjentatte ganger for å skifte språk på tekstingen under DVD-avspilling hvis en slik funksjon finnes tilgjengelig på platen.
- 28. [ANGLE] Se det innspilte videomaterialet fra forskjellige kamera-vinkler hvis slikt materiale finnes tilgjengelig på platen.



29. [AUDIO] Trykk gjentatte ganger for å skifte språk eller lydspor hvis en slik funksjon er tilgjengelig på platen.
30. [MENU/PBC] Åpne DVD-menyen, PBC (Playback control) på/av. PBC brukes for å styre avspilling av VCD-plater (Video CD) fra fjernkontrollen. **Obs!** Det er ikke alle VCD-plater som har PBC-funksjon.
31. [TITLE] Gå tilbake til DVD-platens tittelmeny hvis dette er tilgjengelig på platen.
32. [▲] Navigasjonsknapp.
33. [■] Stopp.
34. [||▶] Play, pause.
35. [◀] Navigasjonsknapp.
36. [ENTER] Bekrefte menyvalg.
37. [▶] Navigasjonsknapp.
38. [MODE] Innstilling av lysstyrke, kontrast, fargetone og fargemetthet.
39. [SETUP] Åpner menyen for grunninnstillinger.
40. [▼] Navigasjonsknapp.
41. [VOL-] Senke volumet.
42. [VOL+] Heve volumet.
43. [REPEAT]
 - DVD:** Velg mellom å gjenta kapittel, aktuell tittel, alle titler eller skru av repetisjon.
 - VCD:** Velg mellom å gjenta en fil, alle filer eller skru av repetisjon.
 - CD, MP3:** Velg mellom å gjenta aktuell tittel, hele mappen eller skru av repetisjon.
44. [SLOW] Trykk gjentatte ganger på [SLOW] for å velge avspillingshastighet. 1/2, 1/4, 1/8, 1/16 eller normal hastighet.
45. [I◀◀] Gå til foregående kapittel/spor.
46. [▶▶I] Gå til neste kapittel/spor.
47. [PROGRAM] Programmere favorittkapittel/spor. Bruk talltastene for å skrive inn tittel, kapittel eller spornummer og velg **PLAY** i menyen. Trykk [PROGRAM] for å gå til normal avspilling, og velg **CLEAR** fra menyen. Trykk på [PROGRAM] igjen for å gå ut av programmeringsmodus.
48. [ZOOM]
 - DVD, VCD:** Zoome inn/ut i bildet under avspilling eller fra pausemodus. Hvert trykk forstørker eller minsker bildet i følgende rekkefølge: 2 X – 3 X – 4X forstørrelse – 1/2–1/3–1/4 forminskning – normal størrelse.
 - JPEG:** Trykk [ZOOM] og deretter [◀◀] eller [▶▶] for å forminskne/forstørre bildet. Benytt [▶][◀][▼][▲] for å flytte rundt i det forstørrede bildet.
49. [◀◀] Hurtigspole DVD-avspilling og avspilling av mediafiler bakover med 2, 4, 8, 16 eller 32 x raskere.
50. [▶▶] Hurtigspole DVD-avspilling og avspilling av mediafiler framover med 2, 4, 8, 16 eller 32 x raskere.

Kom i gang

Fjernkontroll

Plasser et batteri (CR2025) i fjernkontrollen hvis det ikke allerede sitter et der.

1. Press hurtiglåsen mot høyre samtidig som batteriholderen trekkes ut.



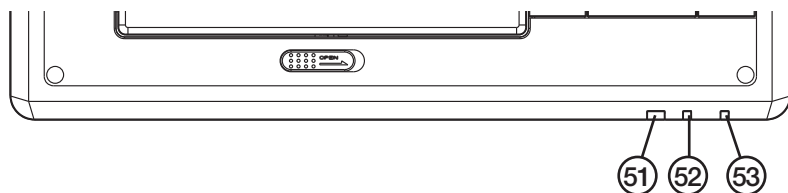
2. Plasser ett CR2025-batteri i holderen og påse at polene blir plassert riktig. Se merking i batteriholderen.
3. Strømkabelen kobles til DVD-spilleren og adapteren til et strømuttak (100–240 V, 50/60 Hz) eller koble 12 V-kabelen til en 12 V-strømkilde og til inngangen på DVD-spilleren.

Lading av det innebygde batteriet

Batteriet lades ved at nettadapteren eller 12 V-kabelen er koblet til respektive strømkilde. Ladetiden er ca. 3–4 timer fra utladet batteri til fulladet.

Obs! Laderen går automatisk over til vedlikeholdslading når batteriet er fulladet.

Lampene på DVD-spillerens framside viser ladestatus.



51. IR-mottaker for signaler fra fjernkontrollen.
52. Lyser rødt når DVD-spilleren slås på og slukkes når spilleren slås av.
53. Lyser rødt når batteriet lades og grønt når batteriet er fulladet.

Bruk

Grunninnstillinger

- Trykk på [SETUP] for å komme til innstillingsmenyene.
- Bruk [▶][◀][▼][▲] for å navigere og for å gå til undermenyene til høyre og foreta ønskede innstillinger.
- Når innstillingene under f.eks. GENERAL SETUP PAGE er klare, trykk [◀] for å gå tilbake til hovedkategoriene.
- Bekrefte valget med [ENTER].

Hovedkategoriene og deres undermenyer

GENERAL SETUP PAGE

Generelle innstillinger med undermenyene:

- **Tv Display:** Tilpasse bildestørrelsen.
- **Angle Mark:** Vise eller skru av informasjon om forskjellige kameravinkler som brukes for å spille inn videomaterialet hvis slik informasjon er tilgjengelig på platen.
- **OSD Language:** Velg ønsket språk.
- **Closed caption:** Vise eller skru av skjult undertekst hvis dette finnes på platen og støttes av tilkoblet TV.
- **Screen saver:** Slå på eller av skjemslukker.

ANALOG AUDIO SETUP PAGE

Lyddinnstillinger med undermenyene:

- **Downmix:** For innstilling av den analoge utlyden.
 - **LT/RT:** Benyttes hvis DVD-spilleren er koblet til en Dolby Pro Logic surroundanlegg.
 - **STEREO:** Brukes hvis DVD-spillerens egne høyttalere benyttes.
- **Digital Output:** For innstilling av den digitale utlyden.
 - **SPDIF/OFF:** Skru av SPDIF utlyden.
 - **SPDIF/RAW:** Brukes hvis DVD-spilleren fra digital lydutgang er koblet til et flerkanals surroundanlegg.
 - **SPDIF/PCM:** Brukes hvis tilkoblet anlegg ikke kan håndtere flerkanalstereo.
- **Dolby Digital:** For forskjellige innstillinger av 5.1 lyd: Dual Mono, Stereo, L-mono, R-mono, Mix-mono og Dynamic.

VIDEO SETUP PAGE

Videoinnstillinger med undermenyene:

- **Brightness:** Lysstyrke
- **Contrast:** Kontrast
- **Hue:** Fargetone
- **Saturation:** Fargemetning

PREFERENCE PAGE

Egne innstillinger med undermenyene:

- **TV-type:** Velg TV-system: PAL, NTSC eller AUTO.
- **Audio:** Velg språk for utlyd hvis dette er tilgjengelig.
- **Subtitle:** Velg språk for undertekster hvis dette er tilgjengelig.
- **Disc menu:** Velg språk for platemenyen hvis dette er tilgjengelig.
- **Parental:** Foreldrekontroll. Krever passord. **Obs!** Det forhåndsinnstilte passordet er 1369.

Still inn nivå for materiale som skal være stengt for barn, dersom denne funksjonen er tilgjengelig på platen. Nivåene her er 1 til 8, hvor 1 er tillatt for barn og 8 er forbudt for barn. Enkelte plater har funksjonen for hele eller deler av platen.

På disse platene kan nivået stilles inn for hele eller deler av platen.

Obs! Nivåene er avhengig av land og fungerer kun hvis DVD-platen kan håndtere denne funksjonen. VCD-, SVCD- og CD-plater har ikke denne funksjonen.

De fleste illegale DVD-platene mangler denne funksjonen. Enkelte DVD-plater mangler funksjonen selv om det er beskrevet at de har en eller annen form for aldersbegrensning trykt på forpakningen.

- **Default:** Tilbakestiller dvd-spilleren til fabrikkinnstillingene.

PASSWORD

Innstilling av passord med undermenyene:

- **Password mode:** Skru av eller på passordfunksjonen. **Obs!** Hvis passordfunksjonen er skrudd av trengs ikke noe passord for å endre nivå for barneforbudt materiale.
- **Password:** Skifte av passord:
 1. Skriv først inn gjeldende passord i ruten med «Old password» ved å bruke fjernkontrollens talltaster. Markøren flyttes til «New password».
 2. Skriv deretter inn det nye passordet. Passordet skal bestå av 4 tall.
 3. Markøren flyttes til «Confirm password».
 4. Det nye passordet bekreftes ved at det skrives inn en gang til. Hvis man nå skriver et feil passord vil markøren forbli i ruten.
 5. Markøren aktiverer "OK"-knappen. Trykk [ENTER] for å bekrefte og avslutte.

Obs! Hvis passordet endres, vil også passordet for foreldrekontrollen bli endret. Det fabrikkinnstilte passordet (1369) kan alltid benyttes selv om passordet endres.

Avspilling

1. Trykk [SOURCE] og velg ønsket avspillingskilde, CD/DVD, minnekort eller USB-minne.
2. Naviger og kontroller avspillingen på den måten som beskrives under avsnittet *Knapper og funksjoner* ovenfor.

Feilsøking

<p>Enheten starter ikke, eller den skrur seg plutselig av.</p>	<ul style="list-style-type: none"> • Påse at DVD-spillerens batteri er ladet. • Kontroller at strømadapteren og kablene er hele og at koblingene er foretatt riktig. • Kontroller at det er strøm i strømuttaket. • Hvis 12 V-kabelen brukes, påse at den er hel og riktig montert. • Kontroller at det finnes strøm i 12 V-uttaket. • Obs! Enkelte biler må ha tenningen på for at 12 V-uttaket skal levere strøm. • Start enheten på nytt ved først å slå av for så å skru på strøm-bryteren igjen.
<p>Produktet reagerer ikke på fjernkontrollens knapper.</p>	<ul style="list-style-type: none"> • Kontroller batteriet i fjernkontrollen. • Kontroller at batteriet er plassert riktig. • Påse at fjernkontrollen er rettet mot sensoren på DVD-spillerens framside. • Påse at det ikke er gjenstander som skjærer fjernkontrollens signaler og at du ikke er for langt unna DVD-spilleren.
<p>Ikke noe bilde eller lyd.</p>	<ul style="list-style-type: none"> • Kontroller at ev. lyd- og bildekabler er riktig koblet til og at de er uskadet. • Kontroller at platen som benyttes er av en av følgende typer: dvd, dvd-r, dvd-rw eller cd. • Sjekk at platen er hel og fri for riper, og at den er riktig plassert med etiketten vendt oppover. • Kontroller at spillerens laserpickup ikke er skitten. Hvis det er tilfelle, ta kontakt med kundetjenesten. • Kontroller at ev. tilkoblet tv-apparat er innstilt på riktig kanal (VIDEO, AV, etc.). • Bytt mediafil. Enkelte filer kan være skadet eller av dårlig kvalitet.
<p>Ingen lyd.</p>	<ul style="list-style-type: none"> • Påse at lokket er åpent. Når lokket er stengt er lyden kun aktivert via lydutgangene eller headsetutgangen. • Bytt mediafil. Enkelte filer kan være skadet eller av dårlig kvalitet.
<p>Dårlig lyd og/eller bilde.</p>	<ul style="list-style-type: none"> • Påse at alle kabler er hele og riktig koblet til. • Kontroller platen. Bruk en ren og ripefri plate. • Bytt mediafil. Enkelte filer kan være skadet eller av dårlig kvalitet.

Avfallshåndtering

Når produktet skal kasseres, må det skje i henhold til lokale forskrifter. Ved usikkerhet, ta kontakt med lokale myndigheter.

Spesifikasjoner

Strømtilkobling	100–240 V AC, 50/60 Hz eller 12 V
Effektforbruk	< 10 W
Vekt	0,9 kg
Mål (l x b x h)	250 x 191 x 42 mm
Skjerm	9"
Utganger	Videoutgang 1,0 V(p-p)/75 Ω Audioutgang 1,2 V rms (1 kHz, 0 dB) Høytaler 2 x 1 W, 3,5 mm headsetutgang
Uteffekt	Høytaler 2 x 1 W, 3,5 mm headsetutgang
Fjernkontroll	1 x CR 2025-batteri

System

Laser	Halvlederlaser, bølgelengde 650 nm
Signalsystem	NTSC / PAL
Frekvensområde	20 Hz til 20 kHz (± 1 dB)
S/N-nivå	Bedre enn 80 dB (analog utgang)
Dynamikk	Bedre enn 85 dB (dvd/cd)

Batteri

Polspenning	7,4 V
Ladetid	3–4 timer
Driftstid	Ca. 2 timer og 15 minutter

Lagring og bruk

Lagring	Temperatur	Luftfuktighet
6 måneder	-20 til +45 °C	65±20 %
1 uke	-20 til +65 °C	65±20 %

Bruk	Temperatur	Luftfuktighet
Standardlading	0 til +45 °C	65±20 %
Standardutlading	-20 til +65 °C	65±20 %

9" Kannettava DVD-soitin, jossa kääntyvä näyttö

Tuotenro 18-8272 Malli PDVD-12809B-UK
38-4574 PDVD-12809B

Lue käyttöohjeet ennen tuotteen käyttöönottoa ja säilytä ne tulevaa tarvetta varten. Pidätämme oikeuden teknisten tietojen muutoksiin. Emme vastaa mahdollisista teksti- tai kuvavirheistä. Jos laitteeseen tulee teknisiä ongelmia, ota yhteys myymälään tai asiakaspalveluun (yhteystiedot käyttöohjeen lopussa).

Turvallisuus



LUOKAN 1 LASERLAITE

Varoitus! Älä avaa laitteen kuorta, sillä voit altistua näkyvälle lasersäteelle, joka voi aiheuttaa silmävaurioita. Älä katso säteeseen edes optisten instrumenttien läpi.

- Älä pura tai muuta laitetta. Tuotteen rungon sisällä on vaarallista jännitettä sisältäviä suojaamattomia komponentteja. Niiden koskettaminen voi johtaa tulipaloon tai sähköiskuun.
- Virtakytkin ei katkaise virtaa kokonaan. Irrota laite pistorasiasta, jos haluat kytkeä virran kokonaan pois.
- Pistorasian, johon muuntaja liitetään, tulee olla helposti ulottuvilla, sillä laite kytketään pois verkkovirrasta irrottamalla laitteen muuntaja pistorasiasta.
- Älä altista laitetta korkeille lämpötiloille, pölylle, tärinälle, iskuille, kosteudelle tai vedelle.
- Älä sijoita laitetta sellaiseen paikkaan, josta se voi tippua veteen tai muuhun nesteeseen. Älä aseta laitteen päälle nesteitä sisältäviä esineitä, kuten maljakoita tai limsapulloja.
- Älä peitä laitetta. Laitteen ilmastointireikiä ja -aukkoja ei saa tukkia.
- Älä sijoita laitetta liian ahtaaseen paikkaan, sillä silloin ilma ei pääse kiertämään laitteen ympärillä. Huolehdi riittävästä ilmanvaihdosta, ettei laite kuumene liikaa.
- Älä aseta laitetta pehmeälle alustalle, kuten viltin, tynyn tai peiton päälle. Aseta tuote kovalle alustalle, mikä takaa laitteen riittävän jäähtymisen.
- Laite on tarkoitettu vain sisäkäyttöön.
- Älä aseta LCD-näytölle painavia ja/tai teräviä esineitä.
- Jos laitteeseen liitetään USB-kaapelin avulla esim. mediasoitin, kaapelin pituus saa olla korkeintaan 25 cm.
- Käytä vain pakkauksen mukana tulevaa muuntajaa.

- Käsittele sähköjohtoa varoen. Johtoa ei saa altistaa kuumuudelle, teräville esineille tai puristukselle.
- Irrota muuntaja pistorasiasta yön ajaksi ja kun poistut kotoa.
- Suojaa kuulosi. Pitkäaikainen altistuminen kovalle äänenvoimakkuudelle saattaa aiheuttaa pysyviä kuulovaurioita.
- Tuotetta saavat käyttää aikuiset, joilla ei ole tuotteen käyttöön vaikuttavia fyysisiä tai psyykkisiä rajoitteita. Henkilöt, joilla ei ole riittävästi kokemusta ja taitoja, eivät saa käyttää tuotetta ilman turvallisuudesta vastaavan henkilön antamia ohjeita.
- Sammuta laite välittömästi, jos laitetta käytettäessä muodostuu epänormaalia hajua tai jos laite ylikuumenee. Jos muuntaja on käytössä, irrota se välittömästi pistorasiasta. Älä käytä laitetta, ennen kuin valtuutettu ammattilainen on tarkastanut sen.
- Laitteen saa korjata vain valtuutettu huoltoliike. Korjauksessa saa käyttää ainoastaan alkuperäisosia.

Huolto ja ylläpito

Puhdistus

- Irrota muuntaja pistorasiasta ennen laitteen puhdistamista.
- Varmista, ettei laitteeseen pääse kosteutta.
- Puhdista laitteen kotelo kosteahkolla liinalla ja miedolla puhdistusaineella.
- Älä käytä liuottimia tai syövyttäviä tai hiovia puhdistusaineita.
- Näytön puhdistustuotteet myydään erikseen.

Käsittele levyjä oikein

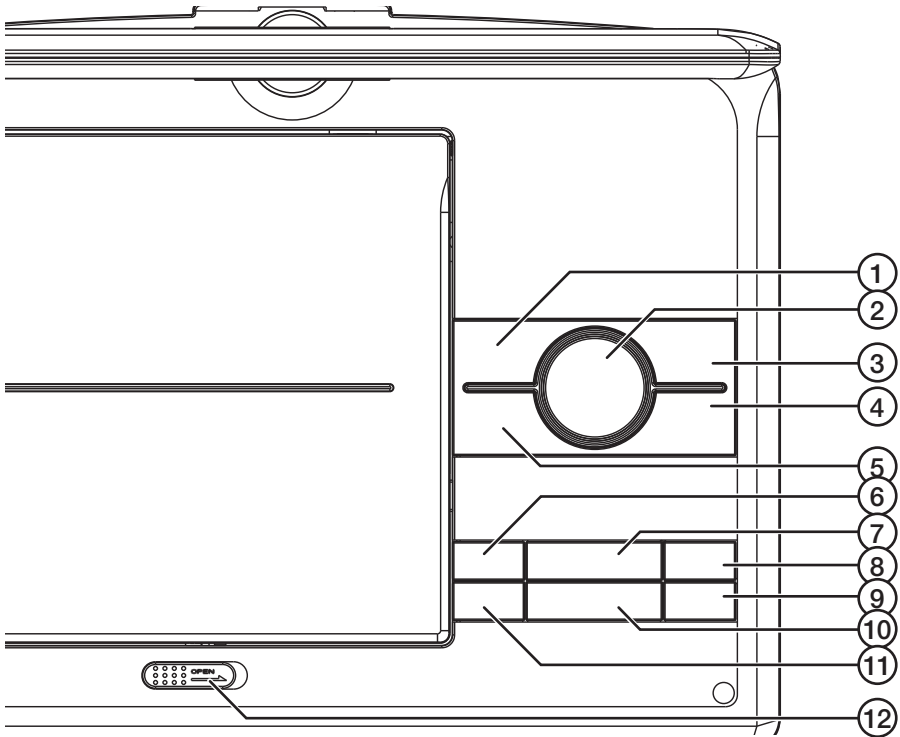
- Pitele levyä reistästä ja reunasta. Näin vältät sormenjälkien ja lian kertymisen levyn pintaan.
- Älä taivuta levyä äläkä altista sitä suoralle auringonvalolle tai muulle lämmönlähteelle.
- Puhdista levyt kuivalla ja pehmeällä liinalla keskeltä ulospäin. Älä käytä puhdistusaineita tai vahvoja liuottimia.
- Säilytä levyjä koteloissa.

Tuotekuvaus

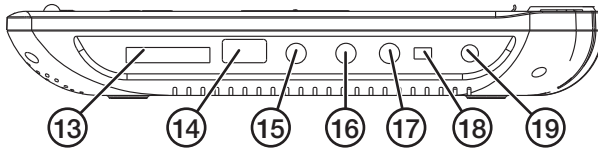
- Kannettava DVD-soitin, jossa 9":n kääntyvä (180°) näyttö.
- Liitännät USB-muistille ja SD-kortille.
- Kiinteä akku.
- Toimii verkkovirralla 100–240 V, 50/60 Hz (muuntaja sisältyy).
- Toimii myös 12 V:n virralla (12 V:n liitäntäjohto sisältyy).

Painikkeet ja toiminnot

DVD-soitin



1. [◀/◀◀] Navigoi vasemmalle/takaisinpäin valikoissa, käännä kuvaa vasemmalle, pikakelaa taaksepäin nopeudella 2, 4, 8, 16 tai 32x.
2. [ENTER] Vahvasta valinta, avaa alavalikkoja ja soittolistoja.
3. [▶/▶▶] Navigoi oikealle/eteenpäin valikoissa, käännä kuvaa oikealle, pikakelaa eteenpäin nopeudella 2, 4, 8, 16 tai 32x.
4. [▼/▶▶] Navigoi alaspäin valikoissa, käännä kuvia peilikuviksi ja toista seuraava videotiedosto (videon toiston aikana).
5. [▲/◀◀] Navigoi ylöspäin valikoissa, käännä kuvia peilikuviksi ja toista edellinen videotiedosto (videon toiston aikana).
6. [MENU] Palaa takaisin soittolistaan videon tai kuvien toiston aikana.
7. [VOL- VOL+] Äänenvoimakkuus.
8. [SETUP] Avaa asetusvalikko.
9. [SOURCE] Toistolähteen valinta: DVD, USB-muisti tai muistikortti.
10. [▶||] Toisto, Tauko.
11. [■] Pysäytys.
12. CD-/DVD-lokeron avaaminen.



- 13. Liitäntä muistikortille.
- 14. Liitäntä USB-muistille.
- 15. 3,5 mm:n kuulokeliitäntä.
- 16. Koaksiaaliääniliitäntä.
- 17. AV-ulostulo.
- 18. Virtakytkin.
- 19. Muuntajan tai 12 V:n kaapelin liitäntä.

Kaukosäädin

- 20. [STEP] Stillkuvien näyttö.
Selaa eteenpäin kuva kavalta painamalla [STEP].
- 21. [SEARCH] Siirtyminen uuteen kohtaan DVD-elokuvassa (ajan, luvun tai nimikkeen perusteella). Paina useita kertoja syöttääksesi ajan, luvun tai nimikkeen.
- 22. [MUTE] Mykistys.
- 23. [SOURCE] Toistolähteen valinta: DVD, USB-muisti tai muistikortti.
- 24. [0]–[9] Numeropainikkeet. Valitse soittolistan numeroituja tiedostoja, muita numerokomentoja ja salasanoja ym.
- 25. [10+] Luvun 10 ja sitä suurempien lukujen syöttäminen.
- 26. [DISPLAY] Paina useita kertoja valitaksesi toistoajan näyttötapa.
- 27. [SUBTITLE] Paina useita kertoja vaihtaaksesi tekstityskieltä toiston aikana DVD:ltä, jos kyseinen toiminto on käytettävissä levyllä.
- 28. [ANGLE] Videomateriaalin katselu eri kamerakulmista, jos levyllä on kyseistä materiaalia.



29. [AUDIO] Paina useita kertoja vaihtaaksesi kieltä tai ääniraitaa, jos kyseinen toiminto on käytettävissä levyllä.
30. [MENU/PBC] Avaa DVD-valikko, PBC (Playback control) päälle / pois päältä. PBC:tä käytetään VCD-levyjen (Video CD) toiston ohjaamiseen kaukosäätimellä.
Huom.! Kaikissa VCD-levyissä ei ole PBC-toimintoja.
31. [TITLE] Palaa DVD-levyn nimikevalikkoon, jos levyllä on sellainen.
32. [▲] Navigointipainike.
33. [■] Pysäytys.
34. [||▶] Toisto, tauko.
35. [◀] Navigointipainike.
36. [ENTER] Vahvista valinta.
37. [▶] Navigointipainike.
38. [MODE] Valon voimakkuuden, kontrastin, värisävyn ja värikylläisyyden säätö.
39. [SETUP] Avaa perusasetusten valikko.
40. [▼] Navigointipainike.
41. [VOL-] Äänenvoimakkuuden vähentäminen.
42. [VOL+] Äänenvoimakkuuden lisääminen.
43. [REPEAT]
DVD: Valitse uudelleentoistotapa: luku, senhetkinen nimike, kaikki nimikkeet tai sulje uudelleentoisto.
VCD: Valitse uudelleentoistotapa: yksi tiedosto, kaikki tiedostot tai sulje uudelleentoisto.
CD, MP3: Valitse uudelleentoistotapa: senhetkinen nimike, koko kansio tai sulje uudelleentoisto.
44. [SLOW] Valitse toistonopeus painamalla useita kertoja [SLOW]. 1/2, 1/4, 1/8 tai 1/16 tai normaali nopeus.
45. [I◀◀] Palaa edelliseen lukuun/raitaan.
46. [▶▶I] Siirry seuraavaan lukuun/raitaan.
47. [PROGRAM] Ohjelmoi suosikkiluku/-raita. Syötä nimike, luku tai raidan numero numeropainikkeilla ja valitse valikosta **PLAY**. Palaa takaisin normaaliin toistoon painamalla [PROGRAM] ja valitsemalla valikosta **CLEAR**. Poistu ohjelmavalikosta painamalla uudelleen [PROGRAM].
48. [ZOOM]
DVD, VCD: Zoomaa kuvaa lähemmäs/kauemmas toiston aikana tai taukotilassa. Jokainen painallus suurentaa/pienentää kuvaa seuraavassa järjestyksessä: 2 X – 3 X – 4 X (suurenus) – 1/2–1/3–1/4 (pienennys) – normaali koko.
JPEG: Pienennä/suurena kuvaa painamalla [ZOOM] ja sitten [◀◀] tai [▶▶]. Siirry suurennetuksessa kuvassa painamalla painikkeita [▶][◀][▼][▲].
49. [◀◀] DVD-toiston ja mediatiedostojen toiston pikakelaus taaksepäin nopeuksilla 2, 4, 8, 16 tai 32x.
50. [▶▶] DVD-toiston ja mediatiedostojen toiston pikakelaus eteenpäin nopeuksilla 2, 4, 8, 16 tai 32x.

Käytön aloittaminen

Kaukosäädin

Aseta kaukosäätimeen paristo (CR2025), jos paristoa ei ole vielä asennettu.

1. Paina lukitusta oikealle ja vedä samalla paristolokeroa suoraan ulospäin.



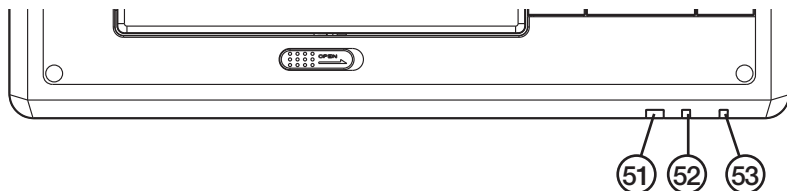
2. Aseta CR2025-paristo paristolokeroon napaisuusmerkintöjen mukaisesti.
3. Liitä virtajohto DVD-soittimen liitäntään ja muuntaja pistorasiaan (100–240 V, 50/60 Hz) tai liitä 12 V:n kaapeli 12 V:n virtalähteeseen ja DVD-soittimen liitäntään.

Kiinteän akun lataus

Akku ladataan joko muuntajalla tai 12 V:n kaapelilla. Tyhjä akku latautuu täyteen noin 3–4 tunnissa.

Huom.! Lataus muuttuu ylläpitolataukseksi, kun akku on latautunut täyteen.

DVD-soittimen etuosassa olevat merkkivalo ilmoittavat latauksen tilan.



51. IR-vastaanotin kaukosäätimen signaaleille.
52. Palaa punaisena, kun laite on päällä.
53. Palaa punaisena akun latautuessa ja vihreänä, kun akku on latautunut täyteen.

Käyttö

Perusasetukset

- Siirry asetusvalikkoihin painamalla [SETUP].
- Navigoi sekä siirry oikealla oleviin alavalikkoihin ja tee haluamasi asetukset painikkeilla [▶][◀][▼][▲].
- Kun asetukset esim. kohdassa GENERAL SETUP PAGE ovat valmiit, palaa takaisin pääkategoriaan painamalla [◀].
- Vahvista painamalla [ENTER].

Pääkategoriat ja niiden alavalikot

GENERAL SETUP PAGE

Yleiset asetukset:

- **Tv Display:** Kuvakoon mukauttaminen.
- **Angle Mark:** Näytä tai älä näytä tietoja eri kamerakulmista, joita on käytetty video-materiaalin kuvaamiseen, jos levyllä on kyseisiä tietoja.
- **Osd Language:** Valitse valikoiden kieli.
- **Closed caption:** Näytä tai älä näytä piilotettua tekstitystä, jos sellainen on levyllä ja jos TV tukee kyseistä toimintoa.
- **Screen saver:** Näytönsäästäjä päälle tai pois päältä.

ANALOG AUDIO SETUP PAGE

Ääniasetukset:

- **Downmix:** Äänen analoginen ulostulo.
 - **LT/RT:** Käytetään, jos DVD-soitin on liitetty Dolby Pro Logic -surroundlaitteeseen.
 - **STEREO:** Käytetään, jos käytössä ovat DVD-soittimen omat kaiuttimet.
- **Digital output:** Äänen digitaalinen ulostulo.
 - **SPDIF Off:** Äänen SPDIF-ulostulon sammuttaminen.
 - **SPDIF/RAW:** Käytetään, jos DVD-soitin (äänen digitaalinen ulostulo) on liitetty monikanavaiseen surroundlaitteeseen.
 - **SPDIF/PCM:** Käytetään, jos liitetty laite ei pysty käsittelemään monikanavaista stereoääntä.
- **Dolby Digital:** 5.1-äänen asetukset: Dual Mono, Stereo, L-mono, R-mono, Mix-mono ja Dynamic.

VIDEO SETUP PAGE

Videoasetukset:

- **Brightness:** Valonvoimakkuus
- **Contrast:** Kontrasti
- **Hue:** Värisävy
- **Saturation:** Värikylläisyys

PREFERENCE PAGE

Omat asetukset:

- **TV-typ:** TV-system PAL, NTSC tai AUTO.
- **Audio:** Äänen kielen valinta, jos toiminto on käytettävissä.
- **Subtitle:** Tekstityskielen valinta, jos toiminto on käytettävissä.
- **Disc menu:** Levyvalikon kielen valinta, jos toiminto on käytettävissä.
- **Parental:** Lapsilukko. Vaatii salasanan. **Huom.!** Esiasetettu salasana on 1369. Aseta taso lapsilta kielletylle materiaalille, jos levyllä on kyseinen toiminto. Tasot: 1 " sallittu" – 8 "kielletty". Joillekin levyille tason voi valita koko levyllä tai levyn eri osille.
Huom.! Tasot ovat maakohtaisia ja ne toimivat ainoastaan, jos DVD-levy tukee kyseistä toimintoa. VCD-, SVCD- ja CD-levyillä ei ole kyseistä toimintoa. Useimmilla laittomilla DVD-levyillä toimintoa ei ole. Toiminto voi puuttua joiltakin DVD-levyiltä, vaikka pakkauksessa olisikin ilmoitettu ikäraja.
- **Default:** DVD-soittimen tehdasasetusten palautus.

PASSWORD

Salasanan asetus:

- **Password mode:** Salasanatoiminto päälle tai pois päältä.
Huom.! Jos salasanatoiminto on pois päältä, lapsilta kielletyn materiaalin tason muuttamiseen ei tarvita salasanaa.
- **Password:** Salasanan vaihto:
 1. Syötä kaukosäätimen numeropainikkeilla voimassaoleva salasana ruutuun, jonka vieressä lukee "Old password". Osoitin siirtyy kohtaan "New password".
 2. Syötä uusi salasana. Salasanassa on oltava 4 numeroa.
 3. Osoitin siirtyy kohtaan "Confirm password".
 4. Vahvista uusi salasana syöttämällä se uudelleen (jos syötät salasanan väärin, osoitin jää ruutuun).
 5. Osoitin aktivoi "OK"-painikkeen, vahvista ja lopeta painamalla [ENTER].

Huom.! Jos salasana vaihdetaan, myös lapsilukon salasana vaihtuu.

Salasanan tehdasasetusta (1369) voi aina käyttää, vaikka salasana olisi vaihdettu.

Toisto

1. Paina [SOURCE] ja valitse toistolähteeksi CD/DVD, muistikortti tai USB-muisti.
2. Navigoi ja ohjaa toistoa luvussa *Painikkeet ja toiminnot* kuvatulla tavalla.

Vianhakutaulukko

Soitin ei käynnisty tai kytkeyty pois päältä.	<ul style="list-style-type: none">• Varmista, että DVD-soittimen akku on ladattu.• Varmista, että muuntaja ja sen kaapeli ovat ehjät ja että muuntaja on liitetty oikein pistorasiaan ja DVD-soittimeen.• Varmista, että pistorasiassa on virtaa.• 12 V:n kaapelia käytettäessä varmista, että kaapeli on ehjä ja liitetty oikein sekä pistorasiaan että DVD-soittimeen.• Varmista, että 12 V:n liitännässä on virtaa. Huom.! Joissakin autoissa on oltava virta päällä, jotta 12 V:n liitäntä antaa virtaa.• Sammuta ja käynnistä soitin uudelleen virtakytkimestä.
Soitin ei reagoi kaukosäätimeen.	<ul style="list-style-type: none">• Varmista, että kaukosäätimen paristoissa on virtaa.• Varmista, että paristot ovat oikein päin kaukosäätimen paristolokerossa.• Varmista, että suuntaat kaukosäätimen DVD-soittimen etupuolen tunnistinta kohti.• Varmista, etteivät mitkään esineet peitä kaukosäätimen signaalia ja ettet ole liian kaukana DVD-soittimesta.
Ei kuvaa eikä ääntä.	<ul style="list-style-type: none">• Varmista, että ääni- ja kuvakaapelit ovat ehjiä ja liitetty oikein.• Varmista, että toistettava levy on tyyppiä DVD, DVD-R, DVD-RW tai CD.• Varmista, että levy on ehjä ja ettei siinä ole naarmuja. Varmista myös, että se on asetettu lokeroon etiketti puoli ylöspäin.• Varmista, ettei soittimen laserlukupää ole likainen. Jos se on likainen, ota yhteyttä asiakaspalveluun.• Varmista, että televisio on asetettu oikealle kanavalle (VIDEO, AV tms.) televisiota käytettäessä.• Vaihda mediatiedostoa. Tiedosto on voinut vahingoittua tai se voi olla huonolaatuinen.
Ääni ei kuulu.	<ul style="list-style-type: none">• Varmista, että kansi on auki. Kun kansi on suljettu, ääni aktivoituu vain ääniulostulojen kautta.• Vaihda mediatiedostoa. Tiedosto on voinut vahingoittua tai se voi olla huonolaatuinen.
Huono kuva ja/tai huono ääni.	<ul style="list-style-type: none">• Varmista, että kaikki kaapelit ovat ehjiä ja että ne on liitetty oikein.• Tarkasta levyn kunto. Käytä ehjää ja naarmutonta levyä.• Vaihda mediatiedostoa. Tiedosto on voinut vahingoittua tai se voi olla huonolaatuinen.

Kierrätys

Kierrätä tuote asianmukaisesti, kun poistat sen käytöstä. Tarkempia kierrätysohjeita saat kuntasi jäteneuvonnasta.

Tekniset tiedot

Verkkoliitäntä	100–240 V AC, 50/60 Hz tai 12 V
Tehonkulutus	<10 W
Paino	0,9 kg
Mitat (PxLxK)	250 × 191 × 42 mm
Näyttö	9"
Ulostulot	Video 1,0 V (p-p)/75 Ω Ääni 1,2 V rms (1 kHz, 0 dB)
Antoteho	Kaiutin 2 × 1 W, 3,5 mm:n kuulokeliitäntä
Kaukosäädin	CR 2025 -paristo

Järjestelmä

Laser	Puolijohdelaser, aallonpituus 650 nm
Signaalijärjestelmä	PAL/NTSC
Taajuusalue	20 Hz – 20 kHz (±1 dB)
Taajuusvaste	Parempi kuin 80 dB (analoginen ulostulo)
Dynamiikka	Parempi kuin 85 dB (dvd/cd)

Akku

Napajännite	7,4 V
Latausaika	3–4 tuntia
Käyttöaika	Noin 2 tuntia ja 15 minuuttia

Säilytys- ja käyttöolosuhteet

Säilytys	Lämpötila	Ilmankosteus
6 kuukautta	–20...+45 °C	65±20 %
1 viikko	–20...+65 °C	65±20 %

Käyttö	Lämpötila	Ilmankosteus
Peruslataus	0...+45 °C	65±20 %
Peruskäyttö	–20...+65 °C	65±20 %

Tragbarer DVD-Player mit drehbarem 9"-Bildschirm

Art.Nr. 18-8272 Modell PDVD-12809B-UK
38-4574 PDVD-12809B

Vor Inbetriebnahme die komplette Bedienungsanleitung durchlesen und aufbewahren. Irrtümer, Abweichungen und Änderungen behalten wir uns vor. Bei technischen Problemen oder anderen Fragen freut sich unser Kundenservice über eine Kontaktaufnahme (Kontakt siehe Rückseite).

Sicherheitshinweise



LASERGERÄT DER KLASSE 1

Achtung: Niemals versuchen, das Gehäuse zu öffnen! Andernfalls können die Laserstrahlen zu Augenschäden führen. Direkte Blicke in den Laserstrahl sind zu vermeiden. Der Laserstrahl darf auch nicht direkt mit optischen Instrumenten betrachtet werden.

- Das Gerät darf nicht demontiert oder anderweitig verändert werden. Im Inneren des Produkts befinden sich nicht isolierte Komponenten mit gefährlicher Stromspannung. Bei Kontakt können diese zu Bränden oder Stromschlägen führen.
- Der Stromschalter ist sekundär geschaltet und unterbricht nicht die Verbindung zur Netzspannung.
- Die Netzsteckdose sollte leicht zugänglich sein, da das Gerät durch Ziehen des Netzsteckers ausgeschaltet wird.
- Das Gerät niemals hohen Temperaturen, staubigen Umgebungen, starken Erschütterungen oder Feuchtigkeit aussetzen.
- Das Gerät immer so aufstellen, dass es nicht in Wasser oder andere Flüssigkeiten fallen kann. Niemals Gegenstände mit Flüssigkeiten (z.B. Blumenvasen oder Getränke) auf das Produkt stellen.
- Die Anlage nicht zudecken. Ventilationsschlitze und sonstige Öffnungen dürfen nicht blockiert werden.
- Das Gerät so aufstellen, dass eine ungehinderte Luftzirkulation gewährleistet ist. Eine ausreichende Belüftung ist erforderlich, um ein Überhitzen des Geräts zu verhindern.
- Das Gerät nicht auf einem weichen Untergrund platzieren, z.B. auf einer Decke oder einem Kissen. Um die notwendige Kühlung zu gewährleisten, ist eine feste Unterlage zu wählen.
- Das Gerät ist nur zur Verwendung in Innenräumen geeignet.
- Keine schweren und/oder scharfen Gegenstände auf dem LCD-Bildschirm platzieren.

- Wird ein USB-Kabel verwendet, z.B. um einen Mediaplayer anzuschließen, darf dies nicht länger als 25 cm sein.
- Ausschließlich den mitgelieferten Netzadapter verwenden.
- Niemals das Netzkabel zweckentfremden. Das Netzkabel nicht über scharfe Kanten ziehen oder klemmen und vor Wärme schützen.
- Während der Nacht oder längerem Nichtgebrauch den Netzadapter aus der Steckdose ziehen.
- Das Gehör schützen! Das Hören mit hoher Lautstärke über längere Zeiträume kann zur dauerhaften Schädigung des Gehörs führen.
- Das Gerät ist nicht für Personen mit eingeschränkten physischen, sensorischen oder geistigen Fähigkeiten bzw. mangelnder Erfahrung/Wissen geeignet.
- Bei Geruchsbildung oder Überhitzung ist das Gerät sofort auszuschalten. Bei Verwendung des Netzadapters ist dieser sofort aus der Steckdose zu ziehen. Das Gerät darf erst nach sorgfältiger Prüfung durch einen Fachmann wieder in Betrieb genommen werden.
- Reparaturen unbedingt qualifizierten Servicetechnikern überlassen. Ausschließlich Original-Ersatzteile verwenden.

Pflege und Wartung

Reinigung

- Vor dem Reinigen stets den Stecker des Netzadapters ziehen.
- Darauf achten, dass keine Flüssigkeit in den DVD-Player gelangt.
- Zum Reinigen des Gehäuses nur ein leicht angefeuchtetes Tuch und mildes Reinigungsmittel verwenden.
- Niemals Lösungsmittel, ätzende oder scheuernde Reinigungsmittel benutzen.
- Produkte für die Bildschirmreinigung sind separat erhältlich.

Handhabung von DVDs

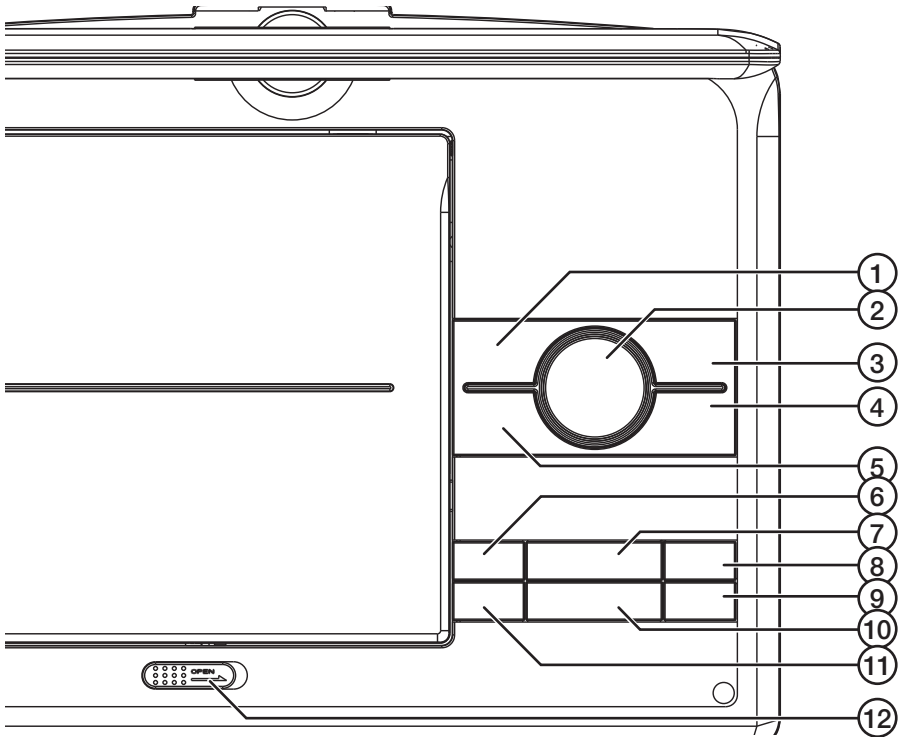
- Eine DVD immer an Mittelloch und Rand halten, um Fingerabdrücke und Verschmutzungen auf der Disc zu vermeiden.
- DVDs nicht verbiegen und vor direkter Sonneneinstrahlung oder anderen Wärmequellen schützen.
- DVDs nur mit einem trockenen, weichen Tuch von innen nach außen reinigen. Reinigungs- oder starke Lösungsmittel dürfen nicht verwendet werden.
- DVDs stets in einer Schutzhülle aufbewahren.

Produktbeschreibung

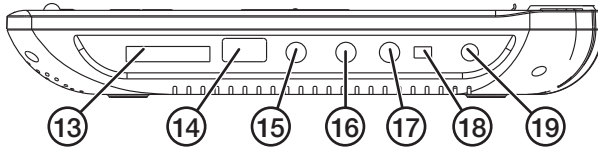
- Tragbarer DVD-Player mit um 180° drehbarem 9"-Bildschirm
- Anschluss für USB-Speicher und Steckplatz für SD-Karte
- Integrierte Akku
- Betrieb mit 100–240 V, 50/60 Hz, über den beiliegenden Netzadapter
- Zudem Betrieb mit 12 V über das beiliegende 12-V-Anschlusskabel

Tasten und Funktionen

DVD-Player



1. [◀/◀◀] Navigation nach links/zurück in Menüs, Linksdrehung von Bildern, schneller Rücklauf mit 2-, 4-, 8-, 16- oder 32-facher Geschwindigkeit
2. [ENTER] Bestätigung der Auswahl, Öffnen von Untermenüs und Playlisten
3. [▶/▶▶] Navigation nach rechts/vor in Menüs, Rechtsdrehung von Bildern, schneller Vorlauf mit 2-, 4-, 8-, 16- oder 32-facher Geschwindigkeit
4. [▼/▶▶▶] Navigation nach unten in Menüs, Spiegelung von Bildern, Wiedergabe der nächsten Videodatei während der Videowiedergabe
5. [▲/◀◀◀] Navigation nach oben in Menüs, Spiegelung von Bildern, Wiedergabe der vorherigen Videodatei während der Videowiedergabe
6. [MENU] Zurück zur Playlist während der Wiedergabe von Videos und Bildern
7. [VOL- /VOL+] Lautstärke
8. [SETUP] Einstellungs Menü öffnen
9. [SOURCE] Wahl der Wiedergabequelle: DVD, USB-Speicher oder Speicherkarte
10. [▶||] Wiedergabe, Pause
11. [■] Beenden
12. Öffnet das CD/DVD-Fach



- 13. Steckplatz für Speicherkarte
- 14. USB-Anschluss
- 15. 3,5-mm-Kopfhöreranschluss
- 16. Koaxialer Audioausgang
- 17. AV-Ausgang
- 18. Ein/Aus
- 19. Eingang für Netzadapter oder 12-V-Kabel

Fernbedienung

- 20. [STEP] Standbild anzeigen.
[STEP] betätigen, um Einzelbild für Einzelbild anzuzeigen.
- 21. [SEARCH] Zu einem bestimmten Punkt im Film springen (Zeitpunkt, Kapitel oder Titel). Wiederholt betätigen, um Zeitpunkt, Kapitel oder Titel einzugeben.
- 22. [MUTE] Stummschaltung
- 23. [SOURCE]
Wahl der Wiedergabequelle: DVD, USB-Speicher oder Speicherkarte
- 24. [0]–[9] Zifferntasten zur Auswahl nummerierter Dateien in einer Playlist, für sonstige Zahlenbefehle, Kennwort usw.
- 25. [10+] Zur Eingabe von Zehnerzahlen
- 26. [DISPLAY] Wiederholt betätigen, um den Anzeigemodus der Wiedergabedauer zu wählen
- 27. [SUBTITLE] Wiederholt betätigen, um die Sprache der Untertitel während der Wiedergabe zu ändern, sofern die DVD diese Funktion unterstützt
- 28. [ANGLE] Filme aus verschiedenen Kamerawinkeln ansehen, sofern dies von der DVD unterstützt wird
- 29. [AUDIO] Wiederholt betätigen, um die Sprache oder Tonspur zu ändern, sofern die DVD diese Funktion unterstützt



30. [MENU/PBC] DVD-Menü öffnen, PBC (Playback Control) ein-/ausschalten. Mithilfe von PBC kann die Fernbedienung zur Steuerung der Wiedergabe von VCDs (Video-CDs) verwendet werden. **Hinweis:** Nicht alle VCDs unterstützen die PBC-Funktionen.
31. [TITLE] Zum Titelmü der DVD zurückkehren, sofern vorhanden
32. [▲] Navigationstaste
33. [■] Beenden
34. [II▶] Wiedergabe, Pause
35. [◀] Navigationstaste
36. [ENTER] Menüwahl bestätigen
37. [▶] Navigationstaste
38. [MODE] Helligkeit, Kontrast, Farbtönung und Farbsättigung einstellen
39. [SETUP] Einstellungs Menü öffnen
40. [▼] Navigationstaste
41. [VOL-] Lautstärke senken
42. [VOL+] Lautstärke erhöhen
43. [REPEAT]
DVD: Kapitel, aktuellen Titel oder alle Titel wiederholen oder die Wiederholung beenden
VCD: Eine Datei oder alle Dateien wiederholen oder die Wiederholung beenden
CD, MP3: Aktuellen Titel oder gesamtes Verzeichnis wiederholen oder die Wiederholung beenden
44. [SLOW] Wiederholt betätigen, um die Wiedergabegeschwindigkeit zu wählen: 1/2, 1/4, 1/8, 1/16 oder normale Geschwindigkeit
45. [I◀◀] Zum vorherigen Kapitel/Track blättern
46. [▶▶I] Zum nächsten Kapitel/Track blättern
47. [PROGRAM] Lieblingskapitel/-tracks programmieren. Mithilfe der Zifferntasten Titel, Kapitel oder Tracknummer eingeben und im Menü **PLAY** wählen. Um zur normalen Wiedergabe zurückzukehren, [PROGRAM] betätigen und im Menü **CLEAR** wählen. Erneut [PROGRAM] betätigen, um das Programm Menü zu verlassen.
48. [ZOOM]
DVD, VCD: Während der Wiedergabe oder im Pausenmodus in das Bild hinein-/herauszoomen. Jede Betätigung vergrößert und verkleinert das Bild wie folgt: Vergrößerung 2-fach, 3-fach, 4-fach – Verkleinerung 1/2, 1/3, 1/4 – normale Größe.
JPEG: [ZOOM] und dann [◀◀] oder [▶▶] betätigen, um das Bild zu verkleinern/vergrößern. Zum Navigieren im vergrößerten Bild [▶][◀][▼][▲] betätigen.
49. [◀◀] Schneller Rücklauf von DVD-Filmen und Mediadateien mit 2-, 4-, 8-, 16- oder 32-facher Geschwindigkeit
50. [▶▶] Schneller Vorlauf von DVD-Filmen und Mediadateien mit 2-, 4-, 8-, 16- oder 32-facher Geschwindigkeit

Handhabung

Fernbedienung

Eine Batterie (CR2025) in die Fernbedienung einlegen.

1. Den Schnappverschluss nach rechts drücken und gleichzeitig den Batteriehalter gerade herausziehen.

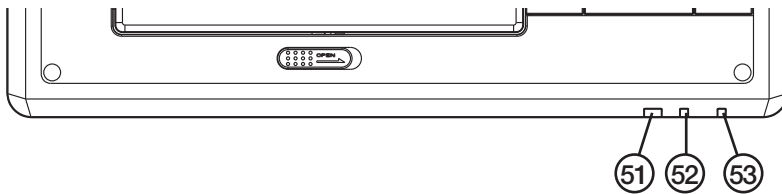


2. Eine CR2025-Batterie einlegen und darauf achten, dass das + an der Batterie mit der +-Markierung am Batteriehalter übereinstimmt.
3. Das Netzkabel an den Eingang am DVD-Player und den Netzadapter an eine Steckdose (100–240 V, 50/60 Hz) anschließen. Alternativ das 12-V-Kabel an eine 12-V-Stromquelle und an den Eingang am DVD-Player anschließen.

Integrierten Akku laden

Der Akku wird durch Anschluss des Netzadapters oder des 12-V-Kabels an eine entsprechende Stromquelle geladen. Die Ladedauer vom entladenen zum vollständig geladenen Zustand beträgt etwa 3–4 Stunden.

Hinweis: Der Ladevorgang geht in eine Erhaltungsladung über, sobald die Batterie vollständig geladen ist.



Die Leuchten an der Vorderseite des DVD-Players zeigen den Ladestatus an.

51. IR-Empfänger für Signale von der Fernbedienung
52. Leuchtet rot, wenn der DVD-Player eingeschaltet wird. Erlischt beim Ausschalten.
53. Leuchtet rot beim Laden der Batterie und grün, sobald die Batterie vollständig geladen ist.

Betrieb

Grundeinstellungen

- [SETUP] drücken, um das Einstellungs Menü zu öffnen.
- Zum Navigieren, Öffnen der Untermenüs (rechts) und für die gewünschten Einstellungen [►] [◀] [▼] [▲] verwenden.
- Sobald die Einstellungen z.B. unter GENERAL SETUP PAGE abgeschlossen sind, auf [◀] drücken, um zurück in die Hauptkategorien zu wechseln.
- Die Wahl mit [ENTER] bestätigen.

Hauptkategorien und Untermenüs

GENERAL SETUP PAGE

Allgemeine Einstellungen in folgenden Untermenüs:

- **TV Display:** Bildgröße anpassen.
- **Angle Mark:** Informationen über die bei der Aufzeichnung verwendeten Kamerawinkel anzeigen/nicht anzeigen, sofern diese Funktion von der DVD unterstützt wird.
- **OSD Language:** Gewünschte Menüsprache wählen.
- **Closed caption:** Untertitel einblenden/ausblenden, sofern diese auf der DVD enthalten sind und die Funktion vom angeschlossenen TV-Gerät unterstützt wird.
- **Screen saver:** Bildschirmschoner ein- oder ausschalten.

ANALOG AUDIO SETUP PAGE

Audioeinstellungen in folgenden Untermenüs:

- **Downmix:** Einstellung der analogen Audiosignale.
 - **LT/RT:** Wird genutzt, wenn der DVD-Player an eine Dolby Pro Logic Surround-Anlage angeschlossen ist.
 - **STEREO:** Wird genutzt, wenn die eigenen Lautsprecher des DVD-Players verwendet werden.
- **Digital output:** Einstellung der digitalen Audiosignale.
 - **SPDIF Off:** S/PDIF-Audiosignale ausschalten.
 - **SPDIF/RAW:** Wird genutzt, wenn der DVD-Player über den digitalen Audioausgang an eine Mehrkanal-Surroundanlage angeschlossen ist.
 - **SPDIF/PCM:** Wird genutzt, wenn die angeschlossene Anlage nicht für Mehrkanal-Stereo geeignet ist.
- **Dolby Digital:** 5.1 Audioeinstellungen: Dual Mono, Stereo, L-Mono, R-Mono, Mix-Mono und Dynamic.

VIDEO SETUP PAGE

Videoeinstellungen in folgenden Untermenüs:

- **Brightness:** Helligkeit
- **Contrast:** Kontrast
- **Hue:** Farbtönung
- **Saturation:** Farbsättigung

PREFERENCE PAGE

Eigene Einstellungen in folgenden Untermenüs:

- **TV type:** TV-System wählen: PAL, NTSC oder AUTO.
- **Audio:** Sprache für den Audioausgang wählen (falls verfügbar)
- **Subtitle:** Sprache für die Untertitel wählen (falls verfügbar)
- **Disc menu:** Sprache für das DVD-Menü wählen (falls verfügbar)
- **Parental:** Kindersicherung. Kennwort erforderlich.

Hinweis: Das werkseitig eingestellte Kennwort ist 1369.

Die geeignete Stufe für „Nicht jugendfreies Material“ wählen, wenn die DVD diese Funktion unterstützt. Die Stufen reichen von 1 (für Kinder geeignet) bis 8 (nur für Erwachsene). Einige DVDs unterstützen die Funktion für die ganze oder nur für Teile der DVD. Bei diesen DVDs kann die Stufe für die gesamte DVD oder nur für bestimmte Teile gewählt werden.

Hinweis: Die Stufen sind von Land zu Land unterschiedlich und lassen sich nur einstellen, wenn die DVD die Funktion unterstützt. VCDs, SVCDs und CDs haben diese Funktion nicht. Auch bei den meisten Raubkopien ist die Stufeneinstellung nicht möglich. Einige DVDs unterstützen die Funktion nicht, obwohl auf der Verpackung eine Altersbegrenzung angegeben ist.

- **Default:** Den DVD-Player auf die Werkseinstellung zurücksetzen.

PASSWORD

Kennworteinstellung in folgenden Untermenüs:

- **Password mode:** Kennwortfunktion aktivieren oder deaktivieren.

Hinweis: Bei deaktivierter Kennwortfunktion ist kein Kennwort zur Änderung der Stufe für „Nicht jugendfreies Material“ erforderlich.

- **Password:** Kennwort ändern:

1. Zunächst mithilfe der Zifferntasten der Fernbedienung im Feld „Old password“ das aktuell gültige Kennwort eingeben. Der Cursor wechselt zu „New password“.
2. Das neue Kennwort eingeben. Das Kennwort muss aus 4 Ziffern bestehen.
3. Der Cursor wechselt zu „Confirm password“.
4. Zur Bestätigung das neue Kennwort nochmals eingeben (bei einer falschen Eingabe bleibt der Cursor im Feld stehen).
5. Der Cursor aktiviert die OK-Schaltfläche. Zum Bestätigen und Beenden [ENTER] drücken.

Hinweis: Bei Änderung des Kennworts ändert sich auch das Kennwort für die Kindersicherung. Das werkseitig eingestellte Kennwort (1369) kann immer verwendet werden, auch wenn das Kennwort geändert wird.

Wiedergabe

1. [SOURCE] betätigen und die gewünschte Wiedergabequelle wählen: CD/DVD, Speicherkarte oder USB-Speicher.
2. Die Navigation und Steuerung der Wiedergabe erfolgt in der im Abschnitt *Tasten und Funktionen* beschriebenen Weise.

Fehlersuche

<p>Das Gerät startet nicht oder schaltet sich plötzlich selbst ab.</p>	<ul style="list-style-type: none"> • Sicherstellen, dass die Batterie geladen ist. • Sicherstellen, dass Netzadapter und -kabel intakt und korrekt an der Steckdose und am Gerät angeschlossen sind. • Sicherstellen, dass die Steckdose stromführend ist. • Bei Verwendung eines 12-V-Kabels muss dieses intakt und ordnungsgemäß an einen 12-V-Anschluss und an den DVD-Player angeschlossen sein. • Sicherstellen, dass der 12-V-Anschluss stromführend ist. Hinweis: Bei einigen Fahrzeugen muss die Zündung eingeschaltet sein, um die Stromführung des 12-V-Anschlusses sicherzustellen. • Das Gerät durch Aus- und Einschalten neu starten.
<p>Das Gerät reagiert nicht auf die Betätigung der Fernbedienungstasten.</p>	<ul style="list-style-type: none"> • Sicherstellen, dass die Batterie der Fernbedienung nicht erschöpft ist. • Sicherstellen, dass die Batterie der Fernbedienung korrekt eingesetzt wurde. • Sicherstellen, dass die Fernbedienung auf den Sensor an der Vorderseite des DVD-Players gerichtet ist. • Sicherstellen, dass keine Gegenstände die Signale der Fernbedienung behindern und dass der Abstand zum DVD-Player nicht zu groß ist.
<p>Kein Bild oder kein Ton.</p>	<ul style="list-style-type: none"> • Sicherstellen, dass eventuelle Bild- und Tonkabel intakt und korrekt angeschlossen sind. • Sicherstellen, dass das verwendete Medium eine DVD, DVD-R, DVD-RW oder CD ist. • Sicherstellen, dass die Disc intakt und kratzerfrei ist und mit dem Aufdruck nach oben eingelegt wurde. • Prüfen, ob der Laserabnehmer des DVD-Players verschmutzt ist. In diesem Fall den Kundendienst kontaktieren. • Sicherstellen, dass ein ggf. angeschlossenes TV-Gerät auf den richtigen Kanal eingestellt ist (Video, AV usw.) • Mediadatai wechseln; u.U. ist die Datei beschädigt oder von mangelhafter Qualität.
<p>Kein Ton.</p>	<ul style="list-style-type: none"> • Sicherstellen, dass die Abdeckung geöffnet ist. Bei geschlossener Abdeckung erfolgt die Tonwiedergabe nur über einen der Audio- oder Kopfhörerausgänge. • Mediadatai wechseln; u.U. ist die Datei beschädigt oder von mangelhafter Qualität.
<p>Schlechtes Bild und/oder schlechter Ton.</p>	<ul style="list-style-type: none"> • Sicherstellen, dass alle Kabel intakt und korrekt angeschlossen sind. • Die Disc kontrollieren. Eine saubere, kratzerfreie Disc verwenden. • Mediadatai wechseln; u.U. ist die Datei beschädigt oder von mangelhafter Qualität.

Hinweise zur Entsorgung

Bitte das Produkt entsprechend den lokalen Bestimmungen entsorgen.
Weitere Informationen sind von der Gemeinde oder den kommunalen Entsorgungsbetrieben erhältlich.

Technische Daten

Stromversorgung	100–240 V AC, 50/60 Hz oder 12 V
Leistungsaufnahme	< 10 W
Gewicht	0,9 kg
Abmessungen L x B x H	250 × 191 × 42 mm
Bildschirm	9" (23 cm)
Ausgänge	Videoausgang 1,0 V (p-p)/75 Ω Audioausgang 1,2 V rms (1 kHz, 0 dB)
Ausgangsleistung	Lautsprecher 2 × 1 W, 3,5 mm Kopfhörerausgang
Fernbedienung	1 × CR2025-Batterie

System

Laser	Halbleiterlaser, Wellenlänge 650 nm
Signalsystem	PAL/NTSC
Frequenz	20 Hz bis 20 kHz (±1 dB)
SNR-Niveau	Besser als 80 dB (analoger Ausgang)
Dynamik	Besser als 85 dB (DVD/CD)

Akku

Polspannung	7,4 V
Ladedauer	3–4 Stunden
Laufzeit	ca. 2 Stunden und 15 Minuten

Aufbewahrung und Betrieb

Aufbewahrung	Temperatur	Luftfeuchtigkeit
6 Monate	–20 bis +45 °C	65±20 %
1 Woche	–20 bis +65 °C	65±20 %

Betrieb	Temperatur	Luftfeuchtigkeit
Standardladung	0 °C bis +45 °C	65±20 %
Standardentladung	–20 °C bis +65 °C	65±20 %

Sverige

Kundtjänst tel.: 0247/445 00
fax: 0247/445 09
e-post: kundservice@clasohlson.se

Internet www.clasohlson.se

Post Clas Ohlson AB, 793 85 INSJÖN

Norge

Kundesenter tlf.: 23 21 40 00
faks: 23 21 40 80
e-post: kundesenter@clasohlson.no

Internett www.clasohlson.no

Post Clas Ohlson AS, Postboks 485 Sentrum, 0105 OSLO

Suomi

Asiakaspalvelu puh.: 020 111 2222
sähköposti: asiakaspalvelu@clasohlson.fi

Internet www.clasohlson.fi

Osoite Clas Ohlson Oy, Maistraatinportti 4 A, 00240 HELSINKI

Great Britain

Customer Service contact number: 08545 300 9799
e-mail: customerservice@clasohlson.co.uk

Internet www.clasohlson.com/uk

Postal 10 – 13 Market Place
Kingston Upon Thames
Surrey
KT1 1JZ

Deutsch

Kundenservice Unsere Homepage www.clasohlson.com besuchen und auf Kundenservice klicken.

clas ohlson