

# DVD/MPEG4 Player with HDMI

## Dvd-/MPEG4-soitin ja HDMI



Art.no.  
38-2446

Model  
M829

Ver. 200901

# CLAS OHLSON

[www.clasohlson.com](http://www.clasohlson.com)

# DVD/MPEG4 Player with HDMI

Article number: 38-2446 Model: M829

Please read the entire instruction manual before using the product and save it for future reference. We reserve the right for any errors in the text or images and any necessary changes made to technical data. If you have any questions regarding technical problems please contact our Customer Services (see address on reverse).

## Safety

### Caution:

- Do not open the casing! Certain components within the product's casing contain dangerous currents. Contact with these may give you an electric shock.
- The product should only be repaired by qualified service personnel.
- The product should not be disassembled or modified.
- The product is designed for indoor use only.
- Never expose the device to high temperatures, blows, damp or moisture.
- Do not place the product where it could fall into water or other types of liquid. Do not place containers with liquid on the product e.g. flower vases, coffee cups, fizzy drink bottles, etc.
- Do not place the device in a damp, dusty environment or where there are heavy vibrations.
- Shut off the standby function at night or when travelling.
- The standby switch on the front of the device does not disconnect the device from the mains. To completely turn off the device the switch on the back of the player must be set to the OFF position or the plug must be removed from the power point.

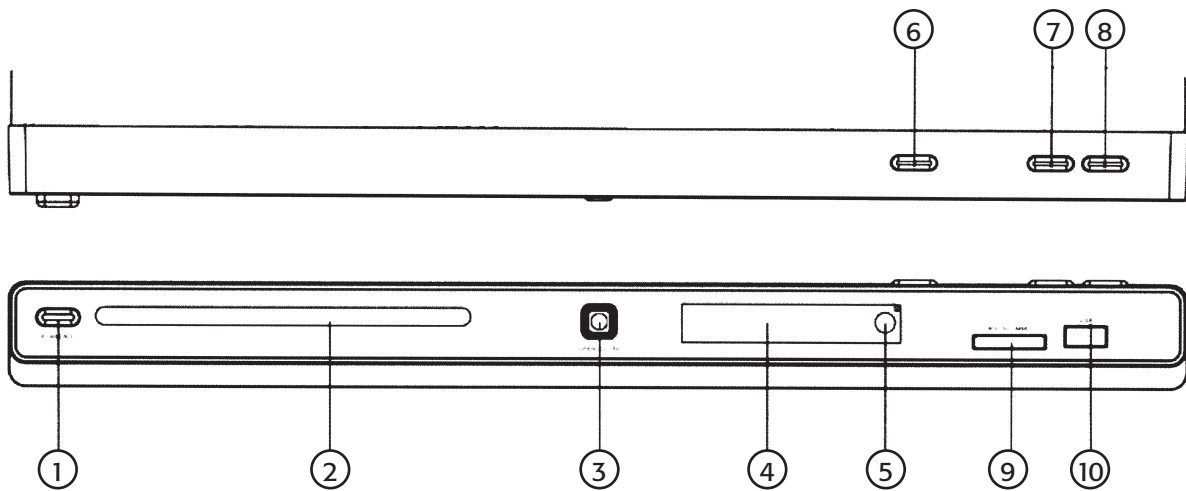
### CLASS 1 LASER PRODUCT



**Caution:** Do not open the casing! Product contains invisible laser beams which can cause eye damage. Do not look directly into the laser beam or look directly at it through an optical instrument.

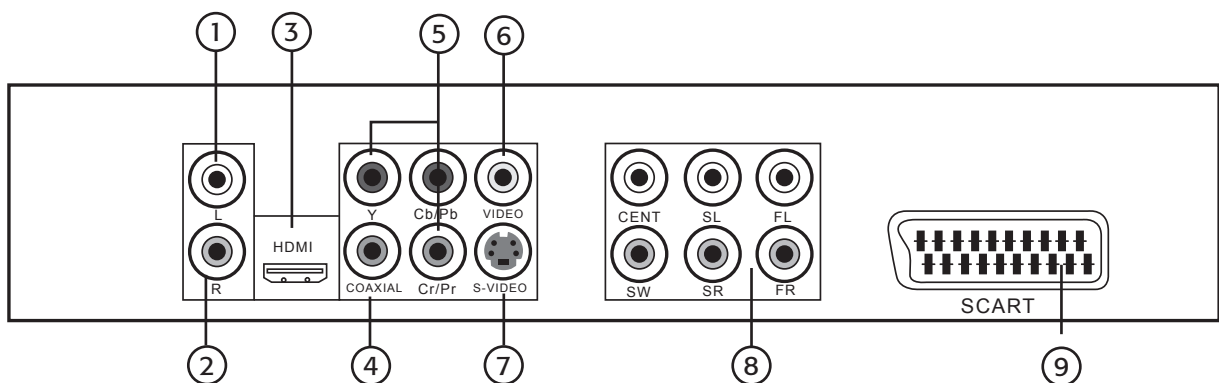
# 1. Buttons and Functions

## 1.1 Front panel



- |                     |                                 |
|---------------------|---------------------------------|
| 1. STANDBY (ON/OFF) | 6. PLAY                         |
| 2. Disc drawer      | 7. PAUSE                        |
| 3. OPEN/CLOSE       | 8. STOP                         |
| 4. Display          | 9. MS/SD/MMC – Memory card slot |
| 5. IR sensor        | 10. USB – USB memory slot       |

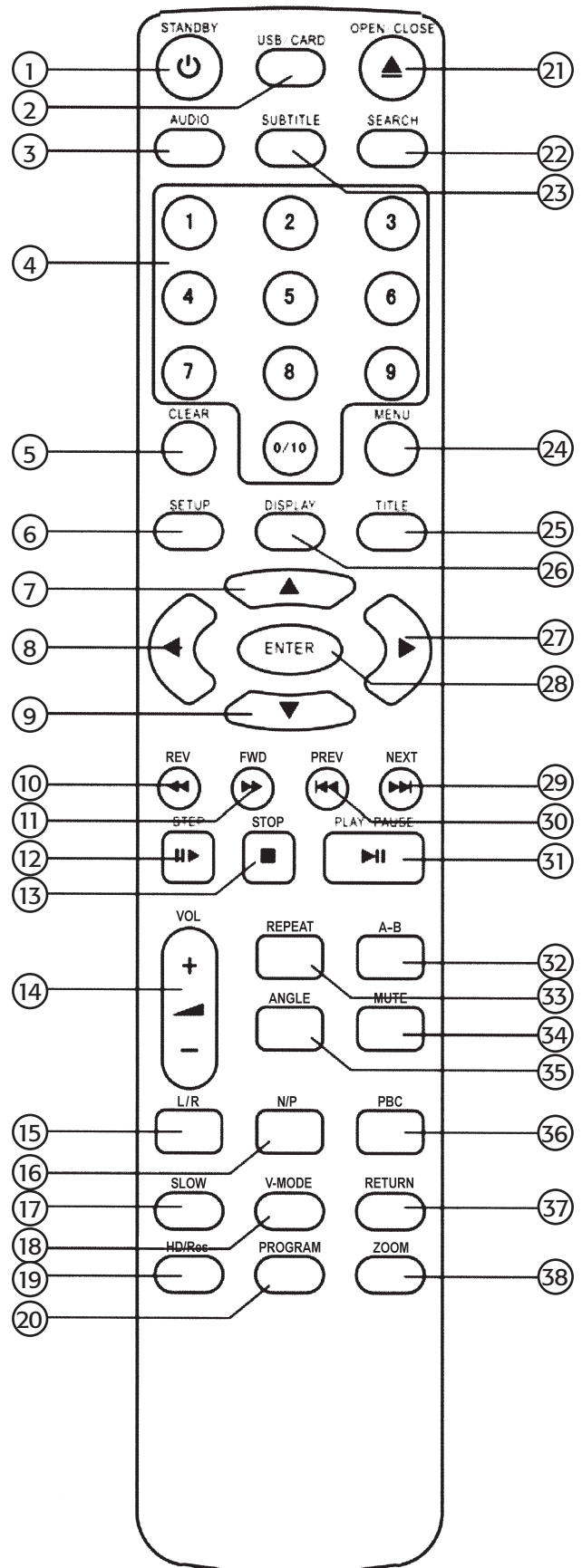
## 1.2 Back panel



1. L – Analogue audio output. Left channel via RCA connection.
2. R– Analogue audio output. Right channel via RCA connection.
3. HDMI output.
4. COAXIAL – Digital audio output. SPDIF via RCA-coaxial connection.
5. Y / Pb/Cb / Pr/Cr – Component video output (3 x RCA).
6. VIDEO – Composite video output. CVBS via RCA connection.
7. S-VIDEO – S-VIDEO output via 4-pin mini-DIN.
8. 5.1 audio output– 5.1 speaker connection.
9. SCART output.

## 1.3 Remote control

1. [ STANDBY ] – Turns the system on/off
2. USB/CARD – Switch between USB and memory card
3. [ AUDIO ]
4. [ 0-9 ] – Numerical buttons
5. [ CLEAR ] – Clears entry
6. [ SETUP ] – Opens settings menu
7. [ ▲ ] – Up
8. [ ◀ ] – Left
9. [ ▼ ] – Down
10. [ ◀◀ ] – Rewind
11. [ ▶▶ ] – Fast forward
12. [ STEP ]
13. [ ■ ] – Stops playback
14. [ VOL + - ] – Volume up/down
15. [ L/R ]
16. [ N/P ]
17. [ SLOW ] – Slow motion playback
18. [ V-MODE ]
19. [ HD/Res ] (HD mode)
20. [ PROGRAM ] – Programmed playback
21. [ OPEN/CLOSE ] – Opens/closes disc drawer
22. [ SEARCH ] – Searches for section
23. [ SUBTITLE ] – Selects subtitles
24. [ MENU ] – Selects the DVD disc menus
25. [ TITLE ]
26. [ DISPLAY ]
27. [ ▶ ] – Right
28. [ ENTER ] – Confirms settings
29. [ ▶▶I ] – Next track/chapter
30. [ I◀◀ ] – Previous track/chapter
31. [ ▶II ] – Starts/pauses playback
32. [ A-B ] – Plays back a section
33. [ REPEAT ] – Activates repeated playback
34. [ MUTE ] – Turns off volume
35. [ ANGLE ] – Selects picture angle
36. [ PBC ]
37. [ RETURN ]
38. [ ZOOM ] – Increases picture size



## 1.4 Compatible media types

**DVD:** Single/double sided with one or two layers: DVD+R/DVD+RW, DVD-R/DVD-RW

**CD-DA** (CD-Digital Audio)

**MP3**

**MPEG4**

**CD-R / CD-RW**

**Photo CD** (JPEG)

**Memory cards:** USB memory, MS (Memory Stick), SD (Secure Digital), MMC (Multimedia Card)

### *Region codes*

DVD players and DVDs are equipped with region codes. If the DVD's code is not the same as the player's it cannot be played. If you should attempt to play a disc with mismatched codes the "WRONG REGION" message will appear on the display.

Region codes	Region
1	Canada, USA
2	Europe, Japan, Middle East (incl. Saudi Arabia, Egypt, Iran, South Africa)
3	East Asia (incl. Hong Kong, Taiwan, South Korea), Southeast Asia
4	Australia, Caribbean, Central- and South America, Mexico, New Zealand
5	Africa, former Soviet states, India, North Korea, Pakistan
6	China

## 2. Care

### 2.1 Cleaning

- Always unplug from the wall socket before cleaning.
- Make sure that no liquids penetrate the player.
- Use only a damp cloth when cleaning the exterior.
- Never use strong solvents or detergents.

### 2.2 Caring for discs

- Hold the disk by the hole and edge when handling in order to avoid fingerprints and dirt from contaminating the disk.
- Do not bend the disk or expose it to direct sunlight or heat.
- Store the discs upright in their cases.
- Clean the disks with soft dry cloth starting from the centre and working outwards. Never use solvents or strong detergents.

## 3. Preparations

### 3.1 Unpacking the product

#### Contents

- DVD Player
- Remote control
- Instruction manual

### 3.2 Inserting the remote's batteries

1. Remove the battery cover.
2. Insert 2 x AAA/LR03-batteries (not included) in the battery compartment.
3. Ensure the batteries are inserted correctly according to the markings in the battery compartment. Replace the battery cover.

#### N.B.

- Always change both batteries simultaneously.
- Always remove batteries from the remote if it will not be used for an extended period in order to avoid possible battery leakage.

## 4. Connections

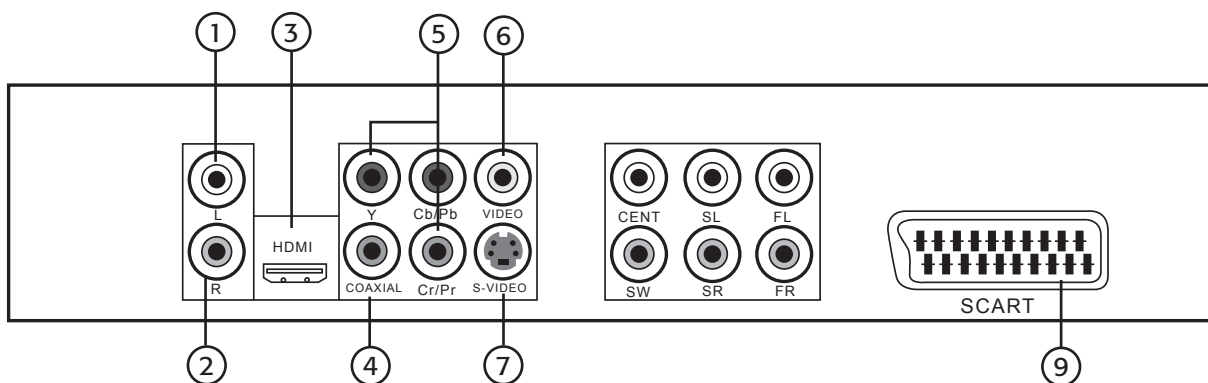
When transferring images by cable there are different signals and connections to choose from.

#### N.B.

- Turn off the DVD player and TV before making any connections.
- Read your TV or stereo manual before connecting.

### 4.1 Connecting to the TV

The DVD player can be connected to the TV in several ways depending on the connections on your TV.



### *The most common and simplest connection is with a SCART cable*

**SCART (9)** Both audio and video are transferred to the TV. Connect a SCART cable (not included) between the SCART output on the DVD player and the TV's SCART input.

- The cable transfers both audio and video.
- Select the TV's AV channel.
- Press the V-MODE button on the remote to change the DVD player's outgoing signal for the best possible signal for your particular TV.
- For most users this type of installation will suffice.

### *Other connections*

Besides the SCART cable the DVD player can be connected in several different ways. Below is a short description of the different DVD signal formats.

**Important.** In the below example we use a TV for connecting the DVD player to but it works just as well to connect the player to a projector, plasma TV or other video displaying equipment with similar connections. Refer to your TV's instruction manual about which signals and connections are possible for you to use.

We refer to different image qualities which are theoretical and can differ greatly in practice since the various combinations of different products can give inconsistent results.

PAL and NTSC are different TV systems. NTSC is used mostly in the USA. PAL is normally used in Western Europe.

Image quality can differ depending if the DVD is recorded in PAL or NTSC and if the DVD player is set to PAL or NTSC.

Most TVs and DVDs in the Nordic countries are designed for PAL. This is preferable because this gives a higher resolution than NTSC.

**HDMI (3)** – Digital connection for the transferring of audio and video. Connects the TV to the HDMI input.

**Composite video (6)** and L-R (1)(2) (analogue audio output).

The composite video output must be activated in the menu.

- Composite video signals (CVBS) can be handled by all TVs. The easiest solution is to use a SCART cable since SCART is capable of transferring both video (composite video) and audio. Composite video can even be sent by a separate cable from the DVD player's composite video output on the back panel.
- The cable is connected to the equivalent input on the TV (normally Video In).
- Press the V-MODE button on the remote to change the DVD player's outgoing signal for the best possible signal for your particular TV.

**S-VIDEO (7)** and L-R (1)(2) (analogue audio output). S-video (Y/C) gives a higher image quality than composite video and is preferable if your TV supports this type of signal. (Refer to your TV manual.)

- S-VIDEO is connected via a 4-pin mini-DIN (normally called an s-video contact). The DVD player's settings may possibly need to be changed in the menu in order to send an S-video signal.
- Press the V-MODE button on the remote in order to change the DVD player's outgoing signal to S-VIDEO.
- **N.B.** If your TV does not support S-VIDEO the picture will be black and white.

**Component video (5)** and L-R (1)(2) (analogue audio output). Component video (YPbPr) is the highest image quality that the DVD player can give and is preferred if your TV has support for component video.

The DVD player can send a component signal as interlace or as progressive scan. Refer to your TV manual to see if interlace or progressive scan is supported.

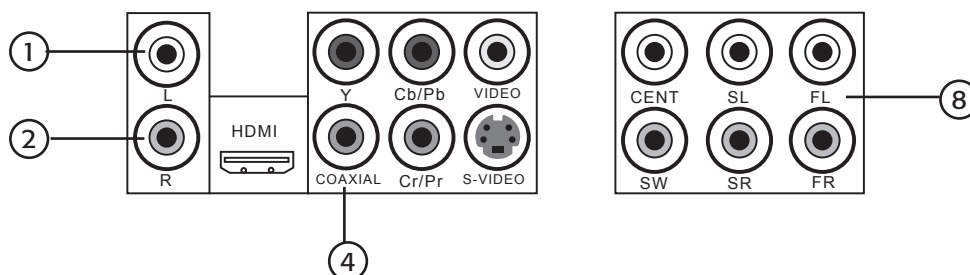
- Component video signals uses the three RCA contacts on the DVD player's back panel and is connected to the equivalent input on the TV.
- Press the V-MODE button on the remote in order to change the DVD player's outgoing signal between interlace and progressive scan.

## 4.2 Connecting to an amplifier

The DVD player can be connected to an amplifier in the following ways:

Connection alternatives:

- Stereo via L-R (1)(2)
- Surround sound via the 5.1-outputs (8).
- Digital audio output via COAXIAL (4).



### Caution!

Never connect an amplifier to the digital audio output if it does not have Dolby Digital AC3 or a DTS decoder. This can damage the amplifier, speakers, or cause hearing damage during DVD playback.

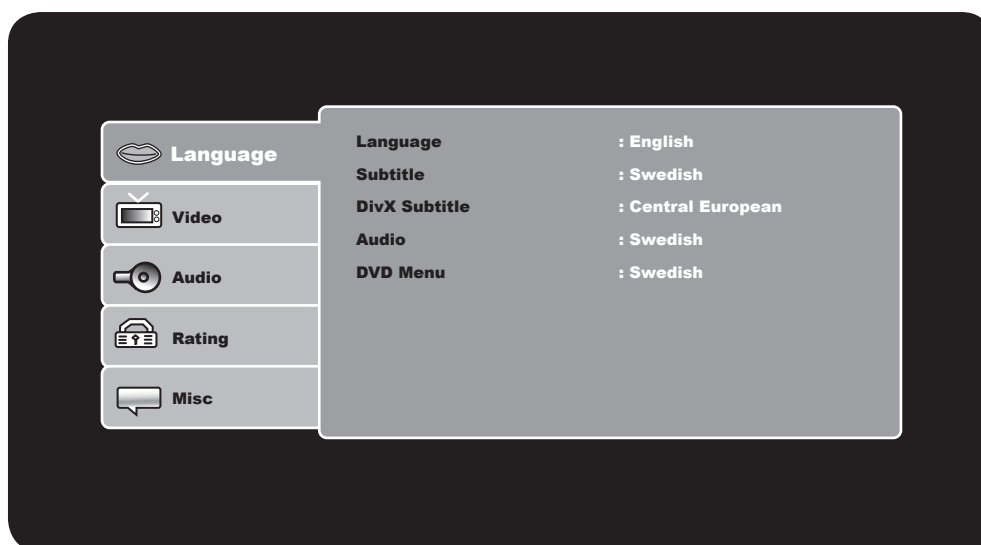
## 5. System settings

To open the menu:

1. Press SETUP on the remote.
2. Use the arrow keys to navigate through the menus.
3. Press ENTER to confirm your settings.
4. To finish and exit the menu: Press SETUP again.

**N.B.** In order to have access to all menus your DVD player must be in stop mode i.e. the video must be completely stopped by pressing the stop button twice.

### 5.1 LANGUAGE SETUP

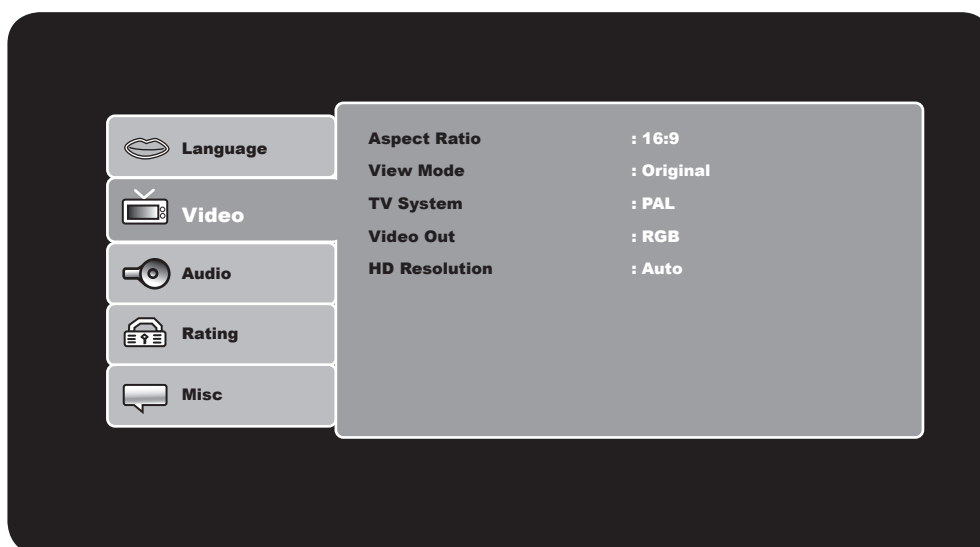




<b>Language</b>	Menu languages: <b>English, Swedish, Norwegian, Finnish or Danish.</b>
<b>Subtitles</b>	Subtitle language: <b>English, Swedish, Norwegian, Finnish, Danish, Auto or OFF.</b>
<b>DivX subtitles</b>	<b>MPEG4</b> Setting for the alphabet used for subtitles (only for XviD) <b>Western European, Turkish, Central European or Cyrillic.</b>
<b>Audio</b>	Speech settings: <b>English, Swedish, Norwegian, Finnish or Danish.</b>
<b>DVD Menu</b>	DVD language settings: <b>English, Swedish, Norwegian, Finnish or Danish.</b>

## 5.2 VIDEO SETUP

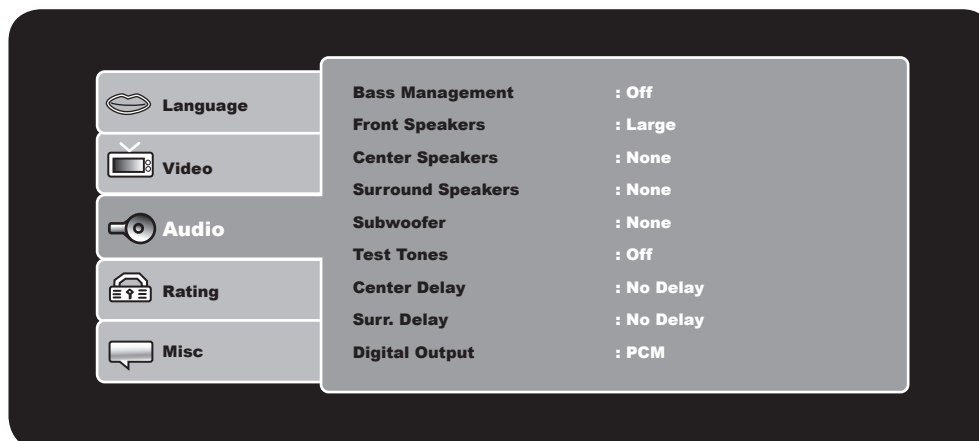
Changes video settings.



<b>TV Form</b>	Aspect ratio: <b>16:9</b> or <b>4:3</b>
<b>Display settings</b>	<b>Fill, Original, Auto Fit</b> or <b>Pan Scan</b> (only for DVD)
<b>TV System</b>	Selects TV system: <b>NTSC, PAL</b> or <b>Auto</b>
<b>Video Out</b>	Selects the outgoing signal for the video output: <b>S-Video, Component, RGB, P-Scan</b> or <b>HD</b>
<b>HD Resolution</b>	Selects resolution (Only valid if you have selected HD as Video Out). <b>Auto, 480/576p, 720p, 1080i</b> or <b>1080p</b>

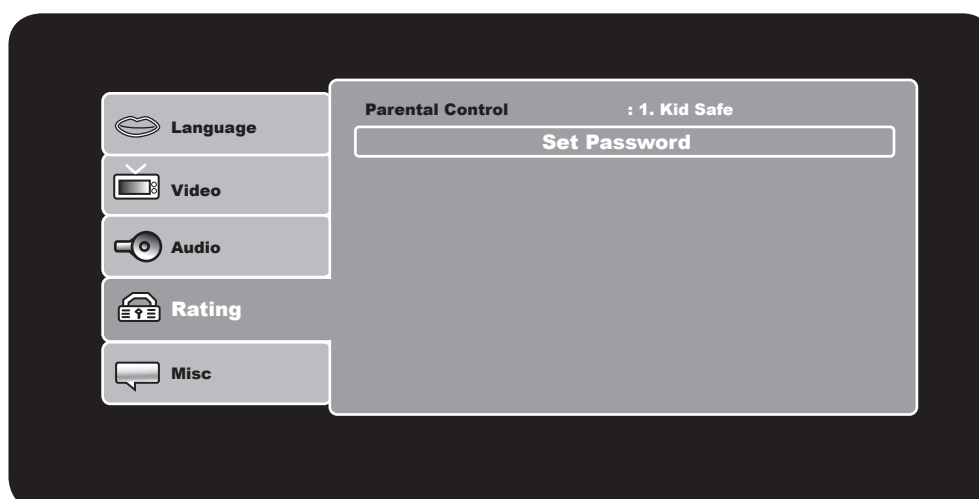
## 5.3 AUDIO SETUP (Audio settings)

Changes audio settings.



<b>Bass management</b>	Activates or deactivates bass control: <b>ON</b> or <b>OFF</b>
<b>Front speakers</b>	Selects the large or small front speakers: <b>Large</b> or <b>Small</b>
<b>Centre speaker</b>	Selects the type of centre speaker: <b>Large</b> , <b>Small</b> or <b>None</b>
<b>Surround speakers</b>	Selects type of surround speakers: <b>Large</b> , <b>Small</b> or <b>None</b>
<b>Subwoofer</b>	Selects type of subwoofer: <b>None</b> or <b>Current</b>
<b>Test Tones</b>	Sends a short test signal to the selected channel: <b>Off</b> , <b>Left</b> , <b>Right</b> , <b>Centre</b> , <b>Left Surr</b> , <b>Right Surr</b> and <b>Subwoofer</b>
<b>CNTR DELAY</b>	Adjusts the delay between the speakers: <b>No delay</b> , <b>0.3 – 0.6 – 1 – 1.4</b> , etc.
<b>SURR. DELAY</b>	Adjusts the delay between the centre and back speakers: <b>No delay</b> , <b>1 – 2 – 3 – 4</b> , etc.
<b>Digital output</b>	Selects digital outputs: <b>OFF</b> , <b>PCM</b> or <b>RAW</b>

## 5.4 RATING (Settings for parental control)



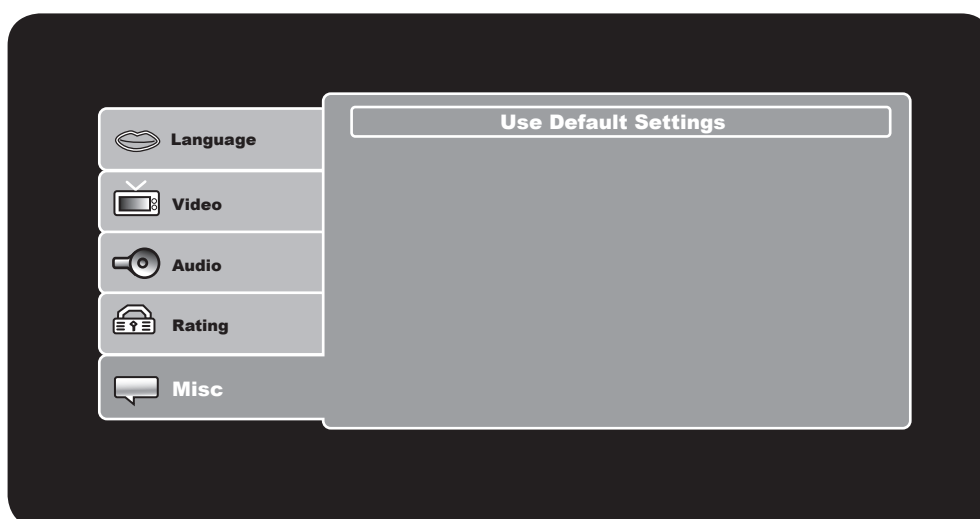
**A. Parental control** – Selects the restriction level to prevent children from viewing inappropriate films. Select between: **Kid safe, G, PG, PG-13, PG-R, R, NC-17** or **Adult**.

**B. Set Password:** The preset password is set to **8888**.

### *Changing the password:*

1. Highlight **Parental control**.
2. Press ► to open a submenu and select **Set Password**.
3. Press ENTER, enter the password using the remote (The preset password is **8888**).
4. Highlight **Set Password**.
5. Press ENTER.
6. Enter a new password at **New Password**.
7. Press ENTER in order to confirm the new password for **Parental control**.

## **5.5 MISC (Resetting default settings)**



### *Resetting the default settings*

1. Go to **MISC**.
2. Press ► to open a submenu and select **Use Default Settings**.
3. Press ENTER, then highlight **Yes** in the window "Do you want to use the default setting?"
4. Press ENTER.
5. The DVD player will start using the original factory settings.

## 6. Playback

### 6.1 DVD playback

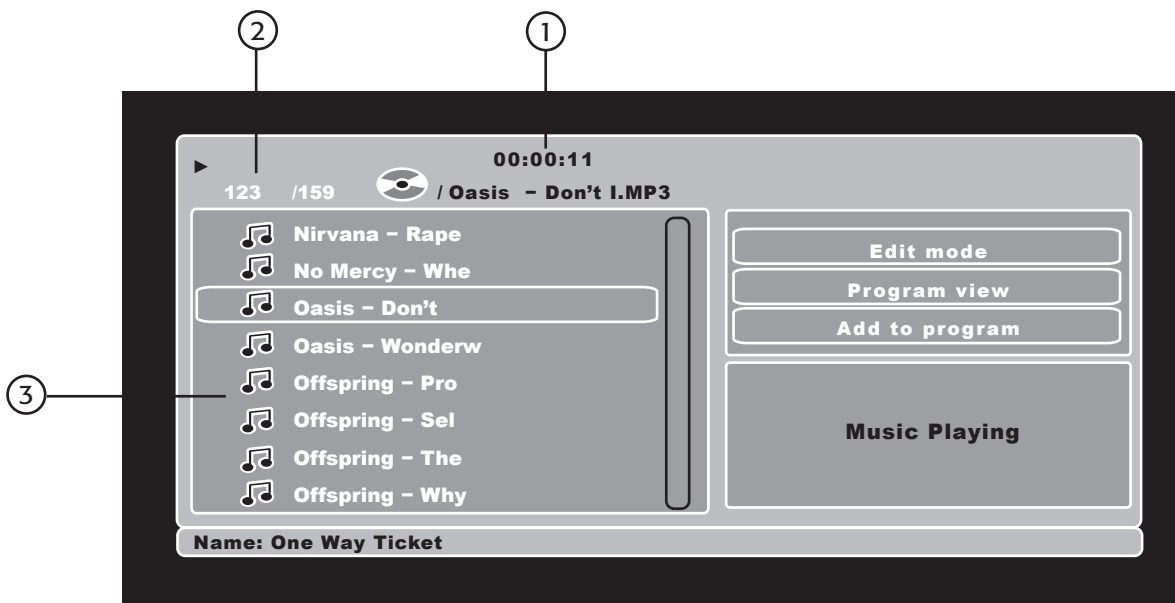
1. Place in a DVD with the label facing up and close the drawer.
2. The disc's main menu will be automatically loaded.
3. Use the arrow keys on the remote to make your selections on the DVD's main menu, or press PLAY to start immediate playback.
4. Press I◀◀ or ▶▶I to select a chapter.
5. To return to the DVD main menu during playback: Press TITLE or MENU.

### 6.2 MP3 playback

When a disc containing MP3 files is inserted the contents of the disc are displayed.

- Use the arrow keys to choose a folder or track to be played. Press ENTER to confirm and start playback.
- Press I◀◀ or ▶▶I to select a track.
- Press SEARCH to go to enter the track number directly. Enter the track number using the numerical keys.

Screen display key:



1. Actual time for the current track
2. Current track/Total number of tracks
3. File list

<b>Filter</b>	Selects the file types to be listed in the file list: <b>Audio</b> , <b>Photo</b> and <b>Video</b> .
<b>Repeat</b>	Sets playback: <b>OFF</b> (no repetition), <b>Single</b> (repeats current track) and <b>Folder</b> (repeats the entire folder).
<b>Mode</b>	<b>Normal</b> (normal playback), <b>Shuffle</b> (random playback) and <b>Music Intro</b> (plays the first 10 seconds of each track).
<b>Edit mode</b>	Creates programme lists/ playlists. 1. First press Edit, then OK. 2. Press ◀ to reach the file list. 3. Select the files to be included in the playlist with ▲ ▼. Press ENTER to confirm your selection. 4. Press ▶ to reach Add to program. Press ENTER to create a playlist. 5. Press STOP then press ▶   to start playback.
<b>Program view</b>	<b>Program View</b> displays the entire file list, <b>Browser View</b> displays the playlist.
<b>Add to program</b>	Adds selected tracks to the playlist.

### 6.3 MPEG 4 playback

1. Use the arrow keys to select files for playback. Press ◀ to move up a folder.
2. Press PLAY to start playback.
3. Press STOP to return to the file list.

#### *Using subtitles*

In order for subtitles to function the file containing the subtitles must have the right format and be in the same folder as the video shown.

- If the folder contains subtitles in more than one language press SUBTITLE in order to select a language.
- If the folder contains several audio tracks (dubbed) for the video press LANGUAGE to select the appropriate track.

#### *Searching for a section in a film*

- Press SEARCH and use the number buttons to enter the playback time in the film you wish to go to.

### 6.4 USB memory/Memory card playback

DVD player supports playback from USB memory or SD, MMC or MS memory cards.

1. Insert a USB memory or a memory card into the respective slot on the front of the device.
2. Press once or several times on the USB/CARD button on the remote to select playback from the USB memory from the memory card (if both a USB and memory card are connected simultaneously).
3. Use the arrow keys in order to select a folder or a specific file to be played/shown. Press ENTER to confirm and start playback.

## 6.5 Playback alternatives

### *Repeat (repeated playback)*

During playback press REPEAT several times to activate repeated playback.

Press repeatedly to choose a repeat mode:

**OFF** – No repetition

**Repeat Single** – Repeats current playback (CD and DVD)

**Repeat Folder** – Repeats entire folder/video/all tracks (CD and DVD)

### *Repeat A-B (repeats one section)*

- During playback press A-B to mark the beginning of a section (A), Press again to mark the end of the section (B) to be repeated. Playback of the marked section will now occur automatically. Press A-B again to cancel repetition for the section and to erase the marking points.
- **N.B.** For CD playback the marking points A and B must lie within the same track. For DVD playback the marking points can be in different chapters/sections.

### *Fast forward/rewind speed selections 2- 4 – 8 – 16x*

- Press ◀◀ once or several times to rewind within a track. The display will indicate the chosen rewind speed.
- Press ▶▶ once or several times to fast forward within a track. The display will indicate the chosen fast forward speed.
- To return to normal playback, press ▶ twice.

### *Zoom (Enlarge image)*

- Press the ZOOM button once or several times to enlarge the image. Use the arrow buttons to position the enlarged area.
- Press ZOOM until a normal image is displayed.

### *Angle (Camera angle)*

- Press the ANGLE button (if the chosen DVD film supports this).

### *Display – (Displays time/info)*

- Press the DISPLAY button to display time or information for the disc/track being played.

### *Subtitles (Selecting subtitles)*

- Press the SUBTITLE to change the subtitle language (only DVDs with subtitles).

### *Audio (Selecting a track)*

**DVD:** Press AUDIO to change track/language (only with DVDs which have different tracks/languages).

**CD:** Press AUDIO to select an audio mode:

Stereo

Left-Mono (only the left speaker)

Right-Mono (only the right speaker)

Mix-mono (mono audio from both speakers)

## 7. Converting music to MP3 files

The DVD player can copy music from a CD and automatically convert and save it as an MP3 file on a USB memory.

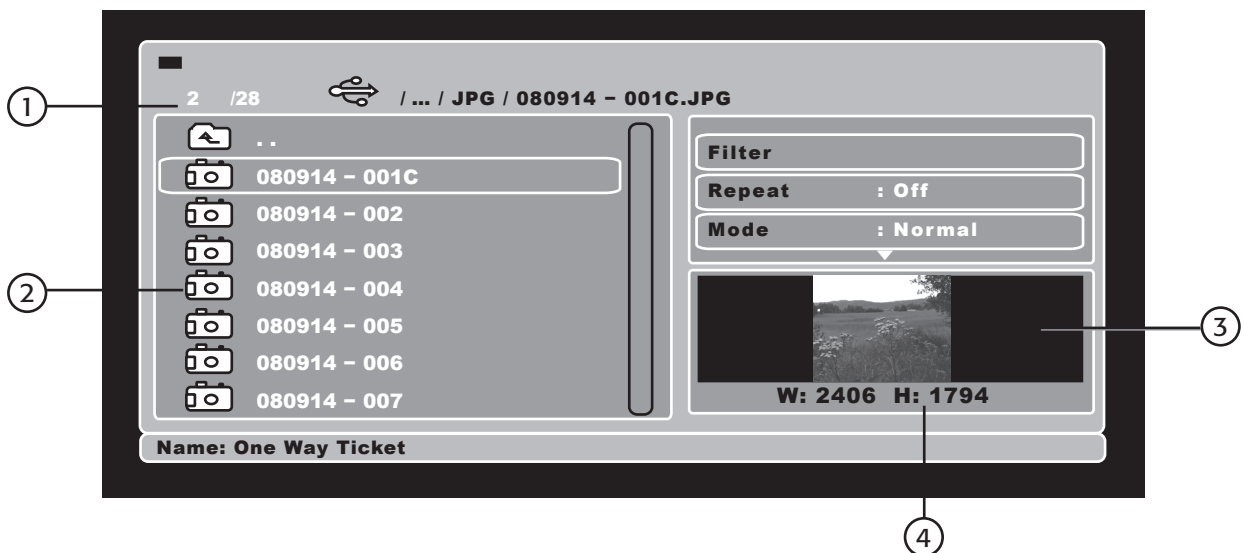
1. Insert a USB memory or memory card on the front side DVD player and insert a CD to copy from.
2. Highlight **Ripping** using the arrow keys and press ENTER.
3. Highlight **Destination:** and press ENTER, highlight **USB** or **SD/MMC** and press ENTER.
4. Highlight those tracks/songs you wish to copy using the arrow keys and confirm with ENTER for every selection.
5. Highlight **Rip Quality** to select the desired bit rate for copying. Choose between **Low**, **Medium**, **High** and **Best** by pressing ENTER several times.
6. Highlight **Ripping Start** and press ENTER to start copying.

## 8. Displaying JPEG images

Insert a CD, DVD, USB memory, SD/MMC/MS memory card which contains JPEG images and press MENU to display the file list.

1. Use the arrow keys to select a folder containing images or a specific image to be displayed.
2. Press ENTER or PLAY to display the image or start a slideshow.
3. To hold an image still in a slideshow press PAUSE. Press PLAY to continue the slideshow.
4. Press STOP to completely stop the slideshow and show the images in thumbnail size.
5. Use the arrow keys to select an image or any other menu options. Press ENTER to confirm.

**Describing the screen menu:**



1. Current image number/Total number of images in the folder
2. File list
3. Preview window
4. Image information (picture size)

## 9. Troubleshooting guide

### Problem and possible cause/solution

#### No picture or sound.

1. Are all device's power cables connected correctly?
2. Are all devices turned on?
3. Is video and audio turned off in the TV menu?
4. Is the TV correctly connected to the DVD player?

#### Playback does not start.

1. Is the disc correctly inserted?
2. Make sure that the disc is not dirty or smudged with fingerprints.
3. The disc has the wrong region code.
4. The disc's contents have the wrong format.
5. Change the settings for parental control.
6. Turn off the player. Pull out the plug. Set it in again and restart.
7. There is moisture on the laser. Let the player rest for a couple of hours before turning it on again.

#### No picture.

1. Is the TV on?
2. Check the connections.
3. Press V-MODE to change outgoing signals.

#### Picture flickers or is coarse.

1. Connect the DVD player directly to the TV and not through other devices. Interference can depend on the DVD's copy protection (a requirement on all DVD players).
2. Purchase an RF adaptor if the TV does not have a video input.
3. Check the DVD's and TV's colour settings.
4. Bad quality or scratched disc.

#### The picture is smaller than the screen.

1. Choose the correct aspect ratio: (Press SETUP and select TV Form 4:3 or 16:9).
2. Select the aspect ratio from the menu on the DVD itself.

#### It is not possible to search either forwards or backwards.

1. Certain discs are programmed to prevent searching.
2. The disc only has one track.

#### No sound or minimal sound.

1. Make sure that the TV and amplifier are turned on and correctly set.
2. Make sure that the TV and amplifier are correctly connected and that the contacts are pushed in securely.
3. Press AUDIO to select another audio track.
4. Make sure that the Mute function is not activated on the DVD player, TV or amplifier.
5. There is no sound during searching, pausing, stop and slow motion mode.

#### Disc containing MP3's produce no sound or noise.

1. If the MP3 disc contains files MP3 files mixed with data files there will be no sound when the data files are being read.
2. Make sure that the CD contains MP3 files.
3. Try playing the next MP3 file.



**The remote control doesn't work.**

1. The batteries are bad or incorrectly inserted.
2. The remote is too far away from the DVD player or there are obstructions in the way.
3. The DVD player is in standby mode.

**No Dolby Digital or DTS Audio via the digital audio outputs.**

1. Make sure the amplifier supports Dolby Digital or DTS.
2. Make sure that a coaxial audio cable is used between the DVD player's digital audio output and the amplifier's digital audio input.
3. Make sure that the disc supports Dolby Digital or DTS and that this has been chosen on the disc's menu.

**The DVD player does not react to the remote control's signals.**

1. The remote control's batteries need to be changed. Insert new batteries.
2. The remote's signals don't reach. Point the remote control towards the DVD player.
3. The distance is too far between the remote and DVD player. Reduce the distance.

## 10. Disposal

Follow local ordinances when disposing of this product. If you are unsure of how to dispose of this product, please contact your municipality.



## 11. Specifications

**General properties:**

Compatible memory cards:	USB, SD, MMC, MS
TV system:	PAL/NTSC/MULTI
Frequency range:	DVD Video (MIP 96 kHz): 20 Hz ~ 44 kHz (+ 1 dB) DVD Video (MIP 48 kHz): 20 Hz ~ 22 kHz (+ 0.5 dB) CD: 20 Hz ~ 22 kHz (+ 0.5 dB)
S/N-ratio:	> 90 dB (at 1 kHz, 0 dB)
Connections:	SCART, S-video, component video, HDMI, coaxial digital and analogue audio output
Power supply:	220 – 240 V AC, 50/60 Hz
Power consumption:	20 W
Size:	430 x 38 x 260 mm
Weight:	2.4 Kg

**Outputs:**

Video output:	1.0 Vpp (at 75 Ohms)
Analogue audio output:	2.0 V RMS
S-Video output:	(Y) 1.0 Vpp (at 75 Ohms) (C) 286 mVpp (at 75 Ohms)
Component video output:	(Y) 1.0 Vpp (at 75 Ohms) 0.7 Vpp (at 75 Ohms)
Coaxial video output:	0.5 Vpp (at 75 Ohms)

# Dvd-/MPEG4-soitin ja HDMI

Tuotenumero: 38-2446 Malli: M829

Lue käyttöohjeet ennen tuotteen käyttöönottoa. Säilytä käyttöohjeet tulevaa tarvetta varten. Pidätämme oikeuden teknisten tietojen muutoksiin. Emme vastaa mahdollisista teksti- tai kuvavirheistä. Jos laitteeseen tulee teknisiä ongelmia, ota yhteys myymälään tai asiakaspalveluun (yhteystiedot käyttöohjeen lopussa).

## Turvallisuus

### Varoitus

- Älä avaa laitteen kotelo! Kotelon sisällä on vaarallista jännitettä sisältäviä suojaamattomia komponentteja, jotka voivat aiheuttaa sähköiskun.
- Laitteen saa korjata vain valtuutettu huoltoliike.
- Älä pura tai muuta laitetta.
- Tuote on tarkoitettu vain sisäkäyttöön.
- Älä altista laitetta liian korkeille lämpötiloille, iskuille, kosteudelle tai vedelle.
- Älä sijoita laitetta sellaiseen paikkaan, josta se voi tippua veteen tai muuhun nesteeseen. Älä laita laitteen päälle nesteitä sisältäviä esineitä, kuten maljakoita tai limsapulloja.
- Älä käytä laitetta kosteissa tai pölyisissä tiloissa tai paikoissa, joissa siihen kohdistuu voimakasta värähtelyä.
- Sammuta mahdollinen valmiustila yön ajaksi ja poistuessasi kotoa.
- Valmiustilan valintakytkimellä ei voi erottaa laitetta verkkovirrasta. Sammuta laitteesta virta kokonaan asettamalla virtakytkin laitteen takapuolella OFF-asentoon tai irrottamalla pistoke verkkovirrasta.

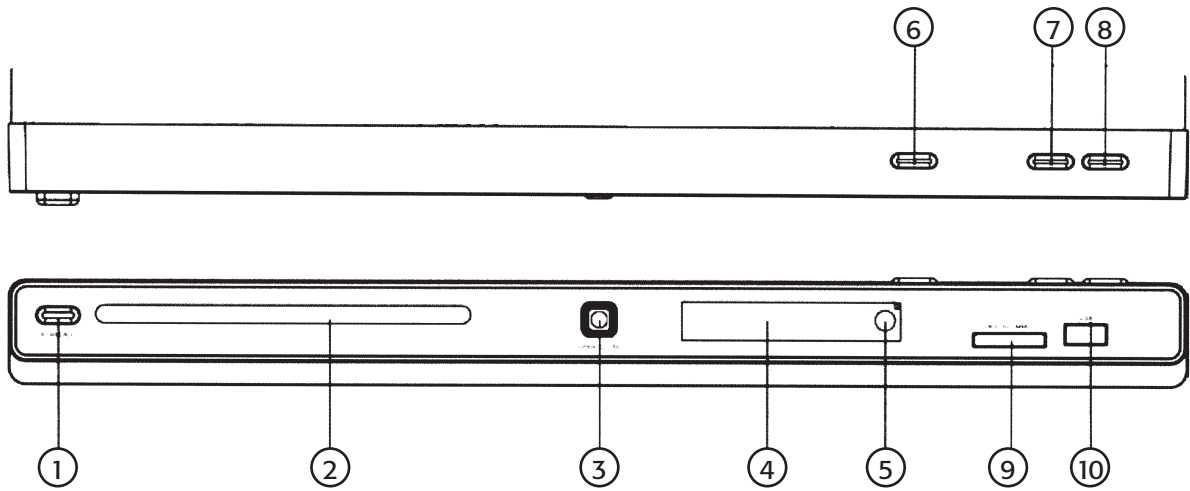
### LUOKAN 1 LASERLAITE



**Varoitus!** Älä avaa laitteen kotelo! Näkymätön lasersäde voi aiheuttaa silmävaurioita. Älä katso säteeseen edes optisten instrumenttien läpi.

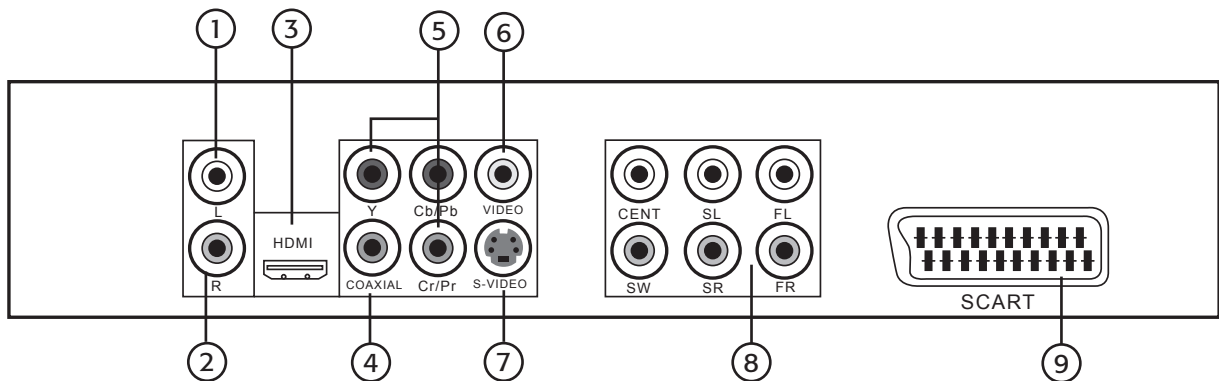
# 1. Painikkeet ja toiminnot

## 1.1 Laitteen etupuoli



- |   |  |
|---|--|
| 1. STANDBY (valmiustila päällä/pois päältä) | 6. PLAY (toisto)                       |
| 2. Levykelkka                               | 7. PAUSE (tauko)                       |
| 3. OPEN/CLOSE (avaa/sulje levykelkka)       | 8. STOP (pysäytys)                     |
| 4. Näyttö                                   | 9. MS/SD/MMC – Liitäntä muistikortille |
| 5. Infrapuna-anturi                         | 10. USB – USB-muistiliitäntä           |

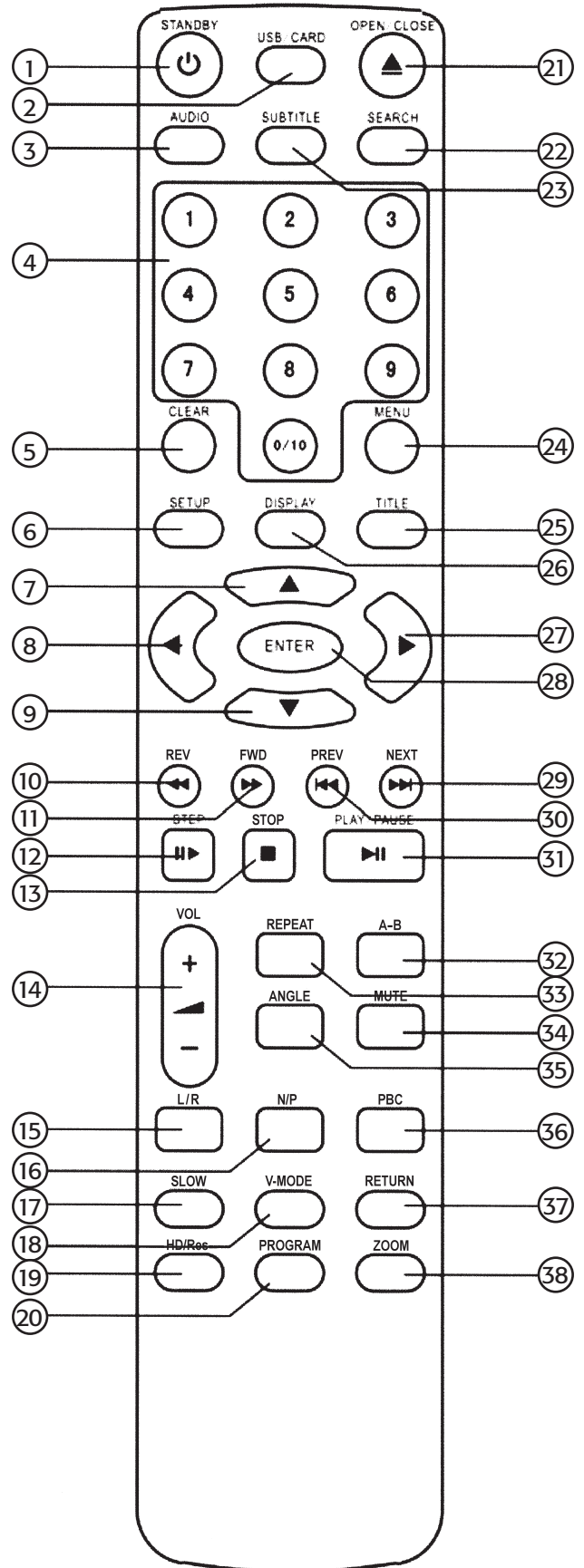
## 1.2 Laitteen takapuoli



1. L – Analoginen ääniulostulo. Vasen kanava RCA-liitännällä.
2. R – Analoginen ääniulostulo. Oikea kanava RCA-liitännällä.
3. HDMI-liitäntä
4. KOAXIAL – Digitaalinen ääniliitäntä. SPDIF RCA-koaksiaaliliitännällä.
5. Y / Pb/Cb / Pr/Cr – Komponenttivideoliitäntä (3 x RCA)
6. VIDEO – Komposiittivideoliitäntä. CVBS RCA-liittimillä.
7. S-VIDEO – S-video -liitäntä 4-napaisella mini-DIN -liittimellä.
8. 5.1-kanavainen ääniliitäntä – Liitäntä 5.1-vahvistimelle.
9. SCART-liitäntä

## 1.3 Kaukosäädin

1. [ STANDBY ] – Kytkee laitteen päälle ja sammuttaa sen
2. [ USB/CARD ] – Vaihtaa USB-muistin ja muistikortin välillä
3. [ AUDIO ]
4. [ 0-9 ] – Numeropainikkeet
5. [ CLEAR ] – Mitätöi syötetyn tekstin
6. [ SETUP ] – Avaa asetusvalikon
7. [ ▲ ] – Ylös
8. [ ◀ ] – Vasemmalle
9. [ ▼ ] – Alas
10. [ ◀◀ ] – Pikakelaus taaksepäin
11. [ ▶▶ ] – Pikakelaus eteenpäin
12. [ STEP ]
13. [ ■ ] – Pysäyttää toiston
14. [ VOL + - ] – Äänenvoimakkuuden lisäys/vähennys
15. [ L/R ]
16. [ N/P ]
17. [ SLOW ] – Toisto hitaalla nopeudella
18. [ V-MODE ]
19. [ HD/Res ] (HD-tila)
20. [ PROGRAM ] – Ohjelmoitu toisto
21. [ OPEN/CLOSE ] – Avaa/sulje levykelkka
22. [ SEARCH ] – Etsii haluamasi kohdan
23. [ SUBTITLE ] – Valitsee tekstityksen
24. [ MENU ] – Valitsee dvd-levyn valikot
25. [ TITLE ] – Otsikko
26. [ DISPLAY ]
27. [ ▶ ] – Oikea
28. [ ENTER ] – Vahvistaa asetukset
29. [ ▶▶I ] – Seuraava raita/luku
30. [ I◀◀ ] – Edellinen raita/luku
31. [ ▶II ] – Pysäyttää/keskeyttää toiston
32. [ A-B ] – Yhden kohdan toisto
33. [ REPEAT ] – Aktivoi uudelleentoiston
34. [ MUTE ] – Äänen mykistys
35. [ ANGLE ] – Valitsee kuvakulman
36. [ PBC ]
37. [ RETURN ]
38. [ ZOOM ] – Suurentaa kuvan



## 1.4 Soitin toistaa seuraavia medioita

**DVD:** Yksi- ja kaksipuoliset yksi- ja kaksikerroksiset: DVD+R/DVD+RW/DVD-R/DVD-RW

**Cd-DA** (Cd-Digital Audio)

**Mp3**

**MPEG4**

**Cd-R/cd-RW**

**Photo cd** (JPEG)

**Muistikortti:** USB-muisti, MS (Memory Stick), SD (Secure Digital), MMC (Multimedia Card)

### Aluekoodi

Dvd-soittimessa ja dvd-levyissä on aluumerkintä. Soitin ei tunnista levyä, mikäli soittimen ja levyn merkinnät eivät vastaa toisiaan. Teksti "WRONG REGION" ilmestyy ruutuun, jos yrität soittaa väärän alueen levyä.

Aluekoodi	Alue
1	Kanada, USA
2	Eurooppa, Japani, Lähi-Itä (Saudi-Arabia, Egypti, Iran, Etelä-Afrikka)
3	Itä-Aasia (Hong Kong, Taiwan, Etelä-Korea), Kaakkois-Aasia
4	Australia, Karibia, Keski- ja Etelä-Amerikka, Meksiko, Uusi-Seelanti
5	Afrikka, entiset neuvostomaat, Intia, Pohjois-Korea, Pakistan
6	Kiina

## 2. Hoito

### 2.1 Puhdistaminen

- Irrota aina virtajohdon pistoke verkkovirrasta ennen puhdistusta.
- Varmista, että laitteeseen ei pääse kosteutta.
- Käytä kosteaa liinaa, kun puhdistat laitteen kotelo.
- Älä käytä voimakkaita puhdistusaineita tai liuottimia.

### 2.2 Käsittele levyjä oikein

- Pitele levyä reiästä ja reunasta. Näin vältät sormenjälkien ja lian kertymisen levyn pintaan.
- Älä taivuta levyä äläkä altista sitä suoralle auringonvalolle tai muulle lämmönlähteelle.
- Säilytä levyjä koteloissaan.
- Puhdista levyt kuivalla ja pehmeällä liinalla keskeltä ulospäin. Älä käytä puhdistusaineita tai vahvoja liuottimia.

## 3. Esivalmistelut

### 3.1 Ota tuote pakkauksesta

#### Pakkauksen sisältö

- Dvd-soitin
- Kaukosäädin
- Käyttöohje

### 3.2 Aseta paristot kaukosäätimeen

1. Irrota paristolokeron kansi.
2. Aseta lokeroon 2 kpl AAA/LR03 –paristoa (eivät sisälly).
3. Varmista, että paristot tulevat lokeroon oikein päin. Pane paristolokeron kansi takaisin paikalleen.

#### Huom.

- Vaihda aina molemmat paristot samalla kertaa.
- oista paristot kaukosäätimestä vuotojen estämiseksi, mikäli et aio käyttää sitä vähään aikaan.

## 4. Liitännät

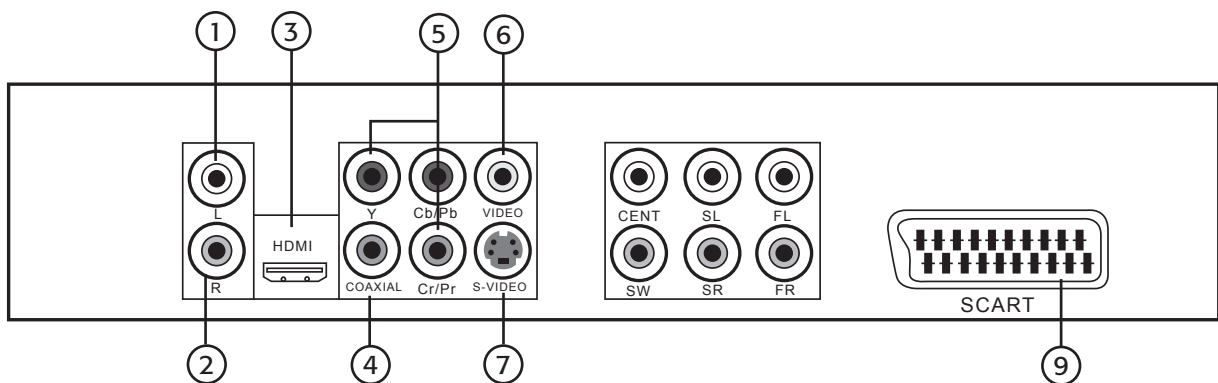
Kun kuvaa siirretään johdoilla, voit valita eri signaaleja ja liittimiä.

#### Huom.!

- Sammuta dvd-soitin ja televisio, ennen kuin teet liitännöitä.
- Lue television tai vahvistimen käyttöohje ennen dvd-soittimen liittämistä.

### 4.1. Liittäminen televisioon

Dvd-soitin voidaan liittää televisioon monella eri tavalla riippuen television liitännöistä.



## Yleisin ja yksinkertaisin liitäntä on SCART-johto

**SCART (9)** – Sekä kuva että ääni siirtyvät televisioon. Liitä SCART-johto (ei sisälly) dvd-soittimen SCART-ulostulon ja television SCART-sisäänmenon välille.

- Johto siirtää sekä kuvan, että äänen.
- Valitse television AV-kanava.
- Vaihda dvd-soittimen ulostulosignaalia painamalla kaukosäätimen V-MODE -painiketta saavuttaaksesi parhaan mahdollisen kuvan televisioosi.
- Useimmille käyttäjille tämä asennus riittää.

## Muut liitännät

SCART-kaapelin lisäksi voidaan dvd-soitin kytkeä usealla eri tavalla. Seuraavat kohdat selittävät vaihtoehtoisia dvd-soittimen signaalsiirtotapoja.

**Tärkeää.** Seuraavat esimerkit ovat dvd-soittimen ja television välillä olevia, mutta ne toimivat myös muiden laitteiden (plasma-tv, videoprojektori yms.) kuvansiirrossa, kun vain tarvittavat liittimet ovat käytettävissä. Katso television käyttöohjeesta, mitä liittimiä ja signaaleja on käytettävissä.

Tekstissä viitataan eri kuvanlaadun teoreettisiin tasoihin, mutta käytännössä kuvanlaatu voi vaihdella eri laitekokoonpanojen mukaan.

PAL ja NTSC ovat erilaisia tv-järjestelmiä. NTSC:tä käytetään lähinnä USA:ssa. PAL:ää käytetään yleisesti läntisessä Euroopassa.

Kuvanlaatu voi vaihdella dvd-filmin tallennusmuodon (PAL tai NTSC) mukaan ja dvd-soittimen asetuksen (PAL tai NTSC) mukaan.

Useimmat televisiot ja dvd-filmit Pohjoismaissa sopivat PAL:lle. Sitä pidetään parempana, koska sillä on parempi erottelukyky kuin NTSC:llä.

**HDMI (3)** – Digitaalinen liitäntä sekä äänen että kuvan siirtoon. Liitäntä televisioon HDMI-liitännällä.

**Komposiittivideo (6)** sekä **L–R (1) (2)** (analoginen ääniliitäntä).

- Komposiittivideoliitäntä täytyy aktivoida valikosta.
- Komposiittivideo (CVBS) toimii kaikilla normaaleilla televisioilla. Yksinkertaisinta on käyttää SCART-johtoa, koska SCART siirtää sekä kuvan (komposiittivideon) että äänen. Komposiittivideo voidaan siirtää myös omalla johdollaan dvd-soittimen komposiittivideoulostulosta.
- Johto liitetään television vastaavaan sisäänmenoon (yleensä Video In).
- Vaihda dvd-soittimen ulostulosignaalia painamalla kaukosäätimen V-MODE -painiketta saavuttaaksesi parhaan mahdollisen kuvan televisioosi.

**S-VIDEO (7)** sekä **L–R (1)(2) (analoginen ääniliitäntä)**. S-video (Y/C) mahdollistaa paremman kuvanlaadun kuin komposiittivideo ja on suositeltavampi, jos television ominaisuudet mahdollistavat sen käytön. (Katso television käyttöohjeesta.)

- S-video liitetään 4-napaisella mini-DIN -liittimellä (kutsutaan s-videoliittimeksi). Dvd-soitin täytyy ehkä asettaa valikosta, jotta se pystyy lähettämään s-video -signaalia.
- Paina kaukosäätimen V-MODE -painiketta muuttaaksesi dvd-soittimen ulostulosignaalin s-video -signaaliksi.
- **HUOM.!** Kuva muuttuu mustavalkoiseksi, jos televisio ei tue s-video -signaalia.

**Komponenttivideo (5)** sekä **L-R (1) (2) (analoginen ääniliitäntä)**. Komponenttivideo (YPbPr) antaa parhaan kuvanlaadun, mitä dvd-soitin lähettää. Sitä suositellaan käytettäväksi, jos television ominaisuudet tukevat komponenttivideota.

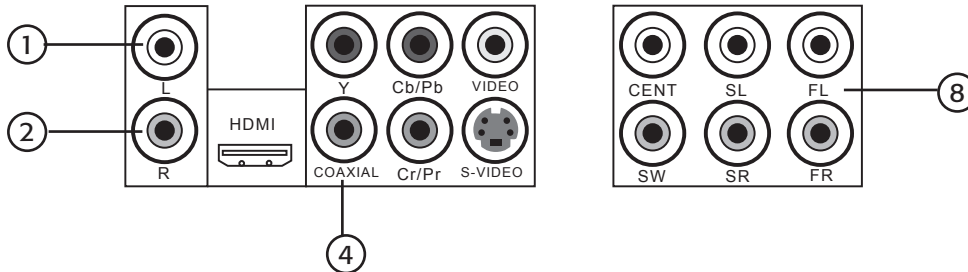
- Dvd-soitin voi lähettää komponenttignaalin joko interlace- tai progressive scan -tilassa. Katso television käyttöohjeesta kumpaa tapaa televisiosi tukee.
- Komponenttivideosignaali voidaan liittää kolmella RCA-liittimellä dvd-soittimen takaa ja kytkeä television vastaaviin liittimiin.
- Paina kaukosäätimen V-MODE -painiketta vaihtaaksesi dvd-soittimen ulostulosignaalia interlace- ja progressive scan -tilojen välillä.

## 4.2 Liittäminen vahvistimeen

Dvd-soitin voidaan liittää vahvistimeen seuraavalla tavalla:

Kytkevävaihtoehdot:

- Stereoääni L-R:n (1)(2) kautta.
- Surroundääni 5.1-liitännän (8) kautta.
- Digitaalinen ääniliitäntä KOAXIAL:in (4) kautta.



### Varoitus!

Älä koskaan liitä vahvistinta digitaaliseen ääniliitäntään, jos sillä ei ole Dolby digital AC3- tai DTS-dekooderia. Dvd-levyjä toistettaessa voi tämä vahingoittaa vahvistimia ja kaiuttimia tai aiheuttaa kuulovaurioita.

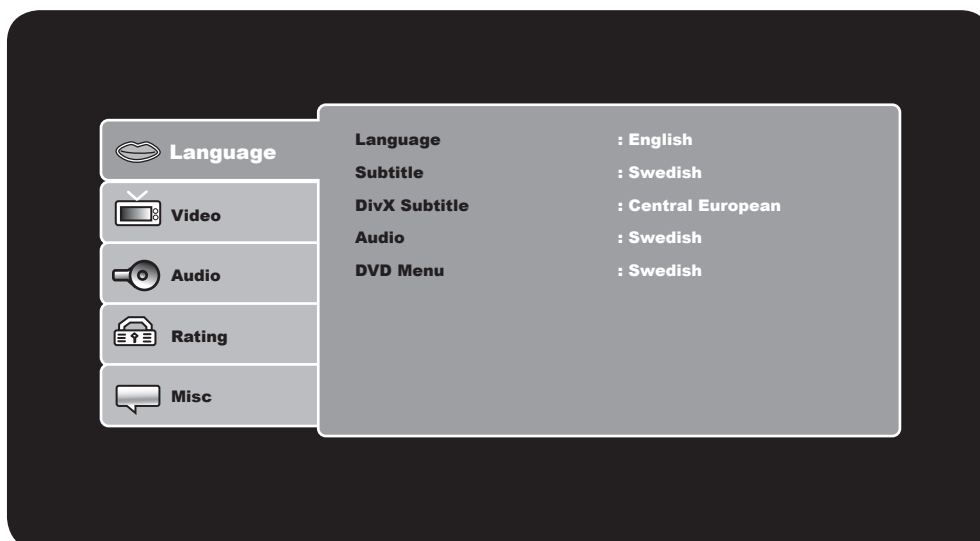
## 5. Järjestelmän asetukset

Avaa valikko:

1. Paina kaukosäätimen SETUP-painiketta.
2. Käytä nuolipainikkeita liikkuaksesi valikoissa.
3. Hyväksy valinta painamalla ENTER.
4. Lopeta ja poistu valikosta painamalla uudelleen SETUP.

**Huom.!** Jotta voit käyttää kaikkia valikoita, täytyy dvd-soittimen olla pysäytystilassa. Elokuvan katselun on oltava kokonaan keskeytetty (paina kaksi kertaa pysäytyspainiketta).

### 5.1 LANGUAGE SETUP (Kieliasetukset)

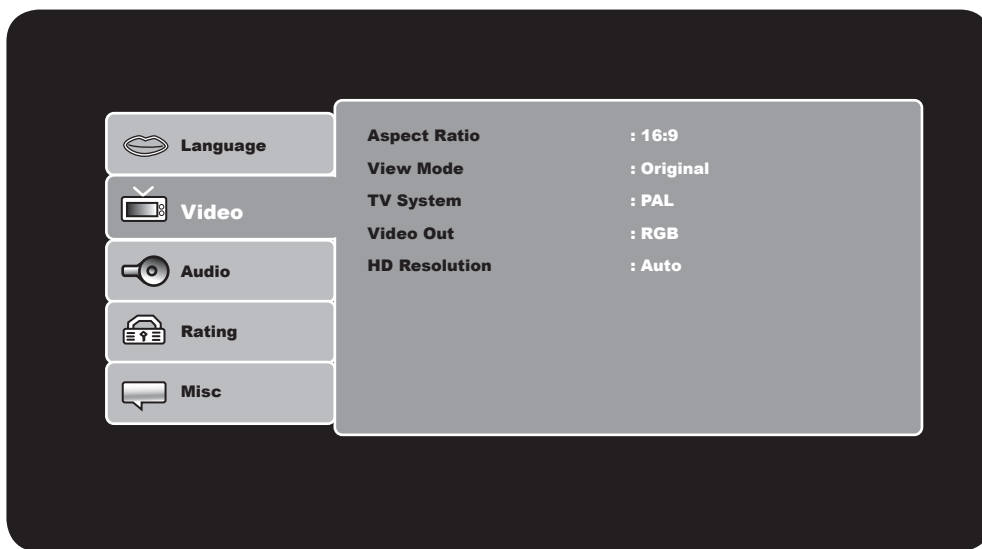




<b>Language</b>	Valikoiden kielet: <b>englanti, ruotsi, norja, suomi tai tanska</b>
<b>Subtitle</b>	Tekstitysten kielet: <b>englanti, ruotsi, norja, suomi, tanska, Auto tai suljettu</b>
<b>DivX subtitle</b>	<b>MPEG4</b> Tekstityksen kirjaintyyppi (vain XviD) <b>länsieurooppalainen, turkkilainen, keskieurooppalainen tai kyrillinen</b>
<b>Audio</b>	Kielen ääniasetukset: <b>englanti, ruotsi, norja, suomi tai tanska</b>
<b>DVD Meny</b>	Toistettavan filmin kieliasetukset: <b>englanti, ruotsi, norja, suomi tai tanska</b>

## 5.2 VIDEO SETUP (Videoasetukset)

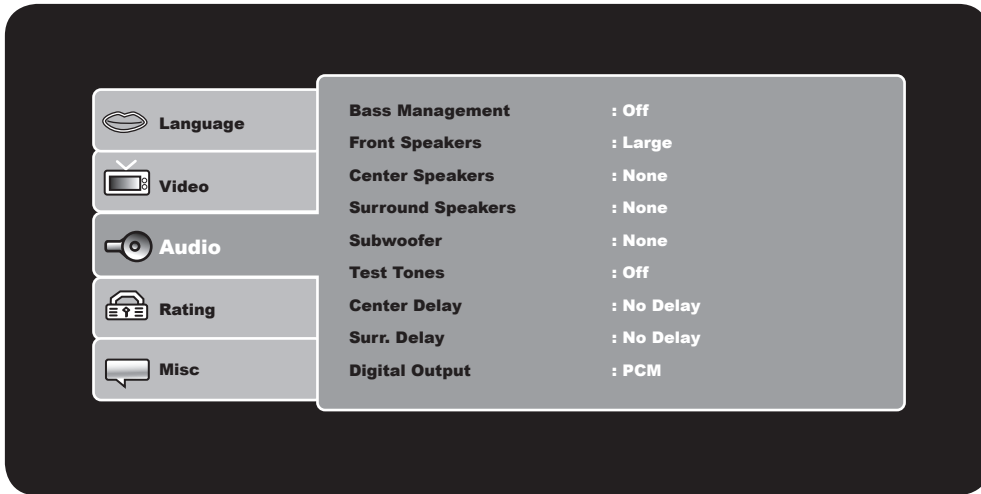
Muuta kuva-asetuksia.



<b>TV Form</b>	Kuvasuhde, kuvan mittasuhteet: <b>16:9</b> tai <b>4:3</b>
<b>Näkymä</b>	Kuva-asetukset: <b>Fill, Original, Auto Fit</b> tai <b>Pan Scan</b> (vain dvd)
<b>TV System</b>	Valitse tv-järjestelmä: <b>NTSC, PAL</b> tai <b>Auto</b>
<b>Video Out</b>	Valitse videoulostulon ulostulosignaali: <b>S-Video, Component, RGB, P-Scan</b> tai <b>HD</b>
<b>HD Resolution</b>	Valitse erottelukyky (ainoastaan, jos olet valinnut HD:n tai Video Out:in) <b>Auto, 480/576p, 720p, 1080i</b> tai <b>1080p</b>

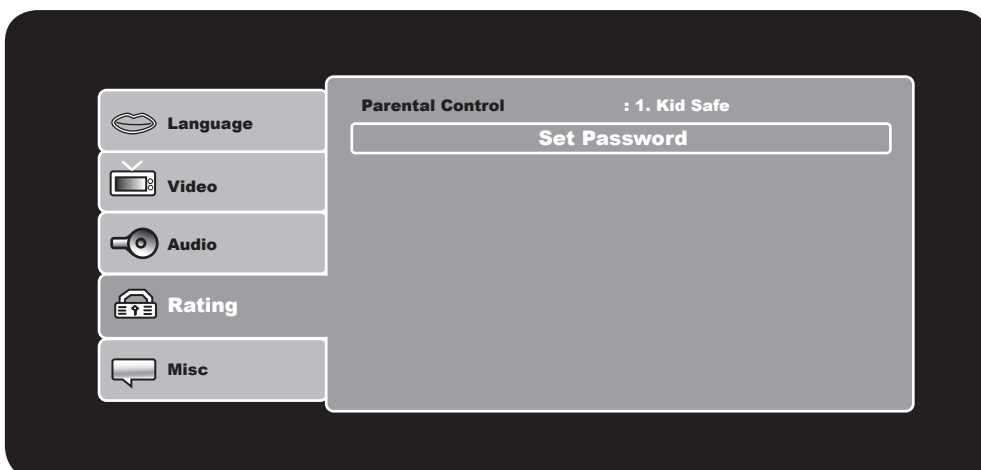
## 5.3 AUDIO SETUP (Ääniasetukset)

Muuta ääniasetuksia.



<b>Bas Kontroll</b>	Aktivoi tai sammuta bassonsäätö: <b>pois päältä</b> tai <b>päällä</b>
<b>Etukaiuttimet</b>	Valitse isot tai pienet etukaiuttimet: <b>Isot</b> tai <b>Pienet</b>
<b>Keskikaiuttimet</b>	Valitse haluamasi keskikaiuttimet: <b>Isot</b> , <b>Pienet</b> tai <b>ei mitään</b>
<b>Surround-kaiuttimet</b>	Valitse haluamasi surround-kaiuttimet: <b>Isot</b> , <b>Pienet</b> tai <b>ei mitään</b>
<b>Subwoofer</b>	Valitse subwoofer: <b>ei mitään</b> tai <b>nykyinen</b>
<b>Test Tones</b>	Lähetää lyhyen testisignaalin valitulle kanavalle: <b>pois päältä</b> , <b>vasen</b> , <b>oikea</b> , <b>keskikaiutin</b> , <b>vasen surroundkaiutin</b> , <b>oikea surroundkaiutin</b> ja subwoofer.
<b>CNTR CTRL</b>	Valitse haluamasi ääniviive kaiuttimien välille: <b>ei viivettä</b> , <b>0,3</b> – <b>0,6</b> – <b>1</b> – <b>1,4</b> jne.
<b>TAAEMPI CTRL</b>	Valitse haluamasi ääniviive takakaiuttimien välille: <b>ei viivettä</b> , <b>1</b> – <b>2</b> – <b>3</b> – <b>4</b> jne.
<b>Digitaalinen ulostulo</b>	Valitse digitaalinen ulostulo: <b>pois päältä</b> , <b>PCM</b> tai <b>RAW</b>

## 5.4 RATING (Lapsilukon asetukset)



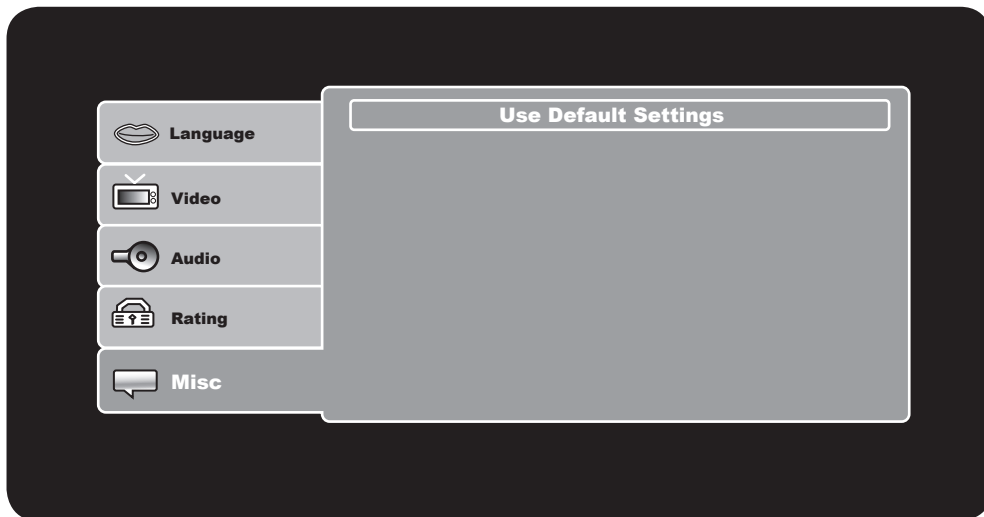
**A. Luokitus** – Muuta rajoituksia estääksesi sopimattomien elokuvien näytön esim. lapsille. Valitse seuraavista: **Lapsiturvallinen, G, PG, PG-13, PG-R, R, NC-17** tai **aikuinen**.

**B. Set Password:** Esiasetettu salasana on **8888**.

*Voit muuttaa salasanan seuraavalla tavalla:*

1. Mene kohtaan **Luokitus**.
2. Avaa alavalikko painamalla ► ja valitse **Set Password**.
3. Paina ENTER ja syötä salasana kaukosäätimeen (esiasetettu salasana on **8888**).
4. Valitse **Set Password**.
5. Paina ENTER.
6. Syötä uusi salasana kohtaan **New Password**.
7. Vahvista luokituksen uusi salasana painamalla ENTER.

## 5.5 MISC (Tehdasasetusten palautus)



*Palauta tehdasasetukset näin:*

1. Mene kohtaan **Misc**.
2. Avaa alavalikko painamalla ► ja valitse **Lataa tehdasasetukset**.
3. Paina ENTER, valitse **Yes** ikkunassa "Do you want to use the default setting?"
4. Paina ENTER.
5. Dvd-soitin käynnistyy uudestaan alkuperäisillä tehdasasetuksilla.

## 6. Toisto

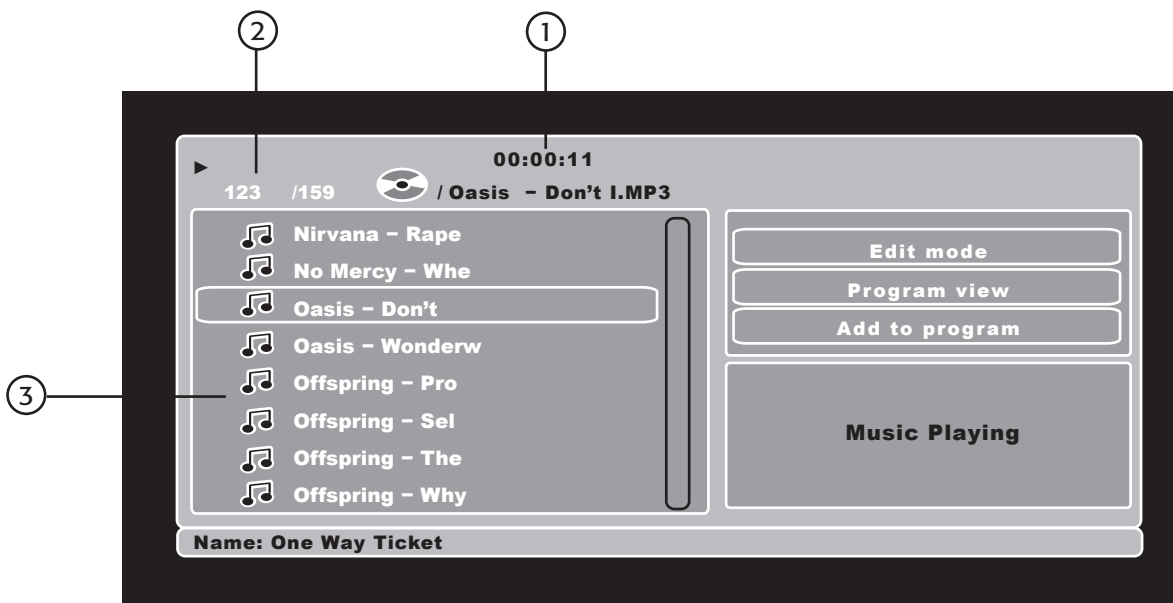
### 6.1 Dvd-levyn toisto

1. Aseta levykelkkaan dvd-levy etikettipuoli ylöspäin ja sulje levykelkka.
2. Levyn päävalikko latautuu automaattisesti.
3. Käytä kaukosäätimen nuolinäppäimiä valitaksesi haluamasi vaihtoehdon päävalikosta. Voit myös painaa PLAY, jos haluat aloittaa toiston välittömästi.
4. Paina I◀◀tai ▶▶I valitaksesi kappaleen eteenpäin tai taaksepäin .
5. Jos haluat palata dvd-levyn päävalikkoon toiston aikana, paina TITLE tai MENU.

### 6.2 MP3-tiedostojen toisto

- Kun soittimeen asetetaan mp3-tiedostoja sisältävä levy, ilmestyy levyn sisältö näytölle.
- Valitse soitettava luettelo tai raita nuolipainikkeiden avulla. Vahvista ohjelmointi ja aloita toisto painamalla ENTER.
- Paina I◀◀ tai ▶▶I valitaksesi raitoja eteenpäin tai taaksepäin .
- Syötä raidan numero suoraan painamalla SEARCH. Anna sitten raidan numero numeropainikkeilla.

#### Näytön selitykset:



1. Toistettavan raidan senhetkinen aika
2. Toistettava raita/Kaikki raidat
3. Tiedostolista

<b>Filter</b>	Valitse, mikä tiedostotyyppi näkyy luettelossa: <b>Audio</b> , <b>Photo</b> ja <b>Video</b> .
<b>Uudelleentoisto</b>	Valitse toisto: <b>Off</b> (ei uudelleentoistoa), <b>Singel</b> (uudelleentoista senhetkinen raita) ja <b>Folder</b> (uudelleentoista koko kansio).
<b>Tila</b>	<b>Normal</b> (normaali toisto), <b>Shuffle</b> (toisto satunnaisessa järjestyksessä) ja <b>Music Intro</b> (kaikkien kappaleiden ensimmäisten 10 sekunnin toisto).
<b>Edit mode</b>	Luo ohjelmalista/soittolista. 1. Paina ensin Edit ja sitten OK. 2. Palaa luetteloon painamalla ◀. 3. Valitse haluamasi tiedostot soittoluetteloon painikkeilla ▲ ja ▼, vahvista valintasi painamalla ENTER. 4. Mene kohtaan Add to program painamalla ▶, luo soittoluettelo painamalla ENTER. 5. Aloita toisto painamalla ensin STOP ja sitten ▶II.
<b>Program view</b>	<b>Program View</b> :llä näet koko luettelon, <b>Browser View</b> :llä soittoluettelon.
<b>Add to program</b>	Lisää haluamiasi raitoja soittoluetteloon.

### 6.3 MPEG4-tiedostojen toisto

1. Valitse toistettava tiedosto nuolinäppäimillä. Jos haluat liikkua ylöspäin luetteloissa, paina ◀.
2. Aloita toisto painamalla PLAY.
3. Palaa takaisin tiedostolistaan painamalla STOP.

#### *Tekstityksen käyttö*

- Tekstitys toimii, jos sen sisältävä tiedosto on oikean tyyppinen ja se sijaitsee samassa kansiossa kuin elokuva.
- Jos kansiossa on tekstitykset monella eri kielellä, voidaan kieli valita painamalla SUBTITLE.
- Jos kansiossa on filmille monta eri ääniraitaa, voidaan ääniraita valita painamalla LANGUAGE.

#### *Siirry filmin tiettyyn kohtaan*

- Paina SEARCH ja syötä haluamasi kohdan aika numeropainikkeilla.

### 6.4 Toisto USB-muistista/muistikortilta

Dvd-soitin tukee USB-muistin tai SD-, MMC- tai MS-tyyppisen muistikortin toistoa.

1. Aseta USB-muisti tai muistikortti dvd-soittimen etupuolella oleviin vastaaviin liitäntöihin.
2. Paina kaukosäätimen USB/CARD-painiketta yhden tai useamman kerran ja valitse toisto USB-muistista tai muistikortilta (jos sekä USB-muisti ja muistikortti ovat liitettynä samanaikaisesti).
3. Valitse toistettava kansio tai tiedosto nuolipainikkeiden avulla. Vahvista ohjelmointi ja aloita toisto painamalla ENTER.

## 6.5 Toistomahdollisuudet

### *Repeat (Uudelleentoisto)*

- Aktivoi uudelleentoisto painamalla REPEAT-painiketta toiston aikana.
- Valitse seuraavista vaihtoehdoista painamalla useita kertoja:

**Pois päältä** – Ei uudelleentoistoa

**Repeat Single** – Senhetkisen kohdan/raidan uudelleentoisto (cd ja dvd)

**Repeat Folder** – Koko luettelon/filmin/kaikkien raitojen uudelleentoisto (cd ja dvd)

### *Repeat A–B (yhden kohdan toisto)*

- Paina A–B -painiketta tavallisen toiston aikana merkitäksesi toistettavan kohdan alun (A). Paina toistamiseen merkitäksesi toistettavan kohdan lopun (B). Soitin toistaa nyt näiden kahden kohdan välisen kohdan ja toistaa sen uudelleen automaattisesti.
- Paina A–B -painiketta uudelleen kun haluat keskeyttää toiston ja poistaa merkinnät.

**Huom.** Toistettaessa esim. cd-levyjä täytyy merkintöjen A ja B olla samassa raidassa. Dvd-levyä toistettaessa voivat merkinnät olla eri kappaleissa/kohdissa.

### *Pikakelaus eteenpäin/taaksepäin x2 – 4 – 8 – 16*

- Kelaat raitaa taaksepäin painamalla yhden tai useamman kerran ◀◀. Näyttö kertoo pikakelauksen nopeuden.
- Kelaat raitaa eteenpäin painamalla yhden tai useamman kerran ▶▶. Näyttö kertoo pikakelauksen nopeuden.
- Kun haluat palata takaisin normaaliin toistonopeuteen, paina kaksi kertaa ▶.

### *Zoom (suurennakuva)*

- Paina ZOOM-painiketta yhden tai useamman kerran suurentaaksesi kuvaa. Siirrä suurennettua kohtaa kuvassa nuolipainikkeilla.
- Palaa normaalikokoiseen kuvaan painamalla monta kertaa ZOOM-painiketta, kunnes kuva on normaali.

### *Angle (Kuvakulma)*

- Valitse kuvakulma painamalla ANGLE (jos dvd-filmi tukee toimintoa).

### *Display (Ajan/tietojen näyttö)*

- Kun haluat nähdä ajan tai tietoa toistettavasta levystä/raidasta, paina DISPLAY.

### *Subtitle (Tekstityksen valitseminen)*

- Vaihda tekstityksen kieltä painamalla SUBTITLE-painiketta (ainoastaan tekstitystä tukevilla dvd-levyissä).

### *Audio (Ääniraidan valinta)*

**DVD:** Vaihda ääniraitaa/kieltä painamalla AUDIO (ainoastaan tätä tukevilla dvd-levyissä).

**CD:** Valitse äänitila AUDIO-painikkeella:

Stereo

Left-Mono (ainoastaan vasen kaiutin)

Right-Mono (ainoastaan oikea kaiutin)

Mix-Mono (monoääni kummassakin kaiuttimessa)

## 7. Kopioi musiikkia mp3:lle

Dvd-soitin kopioi musiikkia cd-levyltä, ja muuntaa ja tallentaa sen automaattisesti mp3-tiedostoiksi USB-muistiin.

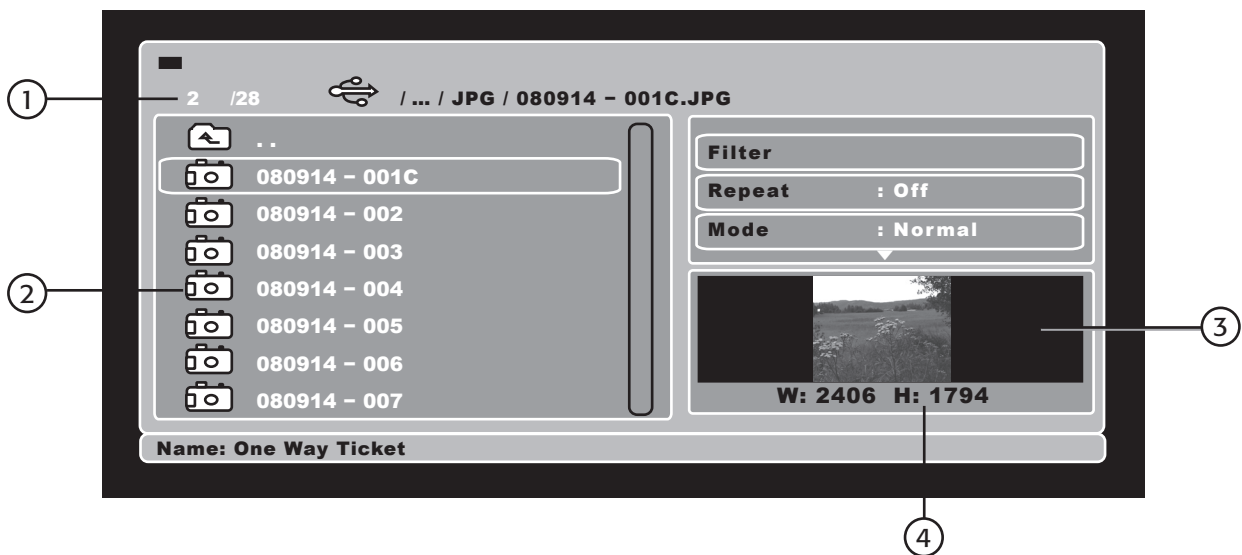
1. Aseta dvd-soittimen etupuolella olevaan USB-liitäntään USB-muisti tai muistikortti ja aseta sitten soittimeen se cd-levy, jolta haluat kopioida.
2. Valitse **Ripping** nuolipainikkeiden avulla ja paina ENTER.
3. Valitse **Destination**: ja paina ENTER, valitse **USB** tai **SD/MMC** ja paina ENTER.
4. Merkitse nuolipainikkeilla ne raidat/kappaleet, jotka haluat kopioida ja vahvista jokainen valinta painamalla ENTER.
5. Valitse kopiointinille haluamasi bittinopeus valitsemalla **Rip Quality**. Voit valita seuraavista vaihtoehdoista painamalla useaan kertaan ENTER: **Low**, **Medium**, **High** ja **Best**.
6. Valitse **Ripping Start** ja aloita kopiointi painamalla ENTER.

## 8. JPEG-kuvien katselu

Aseta tai liitä dvd-soittimeen JPEG-kuvia sisältävä cd-levy, dvd-levy, USB-muisti, SD-muistikortti, MMC-muistikortti tai MS-muistikortti ja paina MENU nähdäksesi tiedostolistan.

1. Valitse nuolipainikkeiden avulla kuvakansio tai tietty kuva, jonka haluat nähdä.
2. Paina ENTER tai PLAY näyttääksesi valitun kuvan tai aloittaaksesi kuvaesityksen.
3. Jos haluat katsoa jotain kuvaa pidemmän aikaa, keskeytä kuvaesitys hetkeksi painamalla PAUSE. Jatka kuvaesitystä painamalla PLAY.
4. Paina STOP kun haluat lopettaa kuvaesityksen kokonaan. Kuvat näkyvät näytöllä pienoiskoossa.
5. Valitse kuva tai jokin valikon vaihtoehdoista nuolipainikkeita apuna käyttäen. Vahvista painamalla ENTER.

### Näytön selitykset:



1. Kuvan numero/Luettelon kuvien kokonaismäärä
2. Tiedostolista
3. Tarkasteluikkuna
4. Kuvan tiedot (kuvan mitat)

## 9. Vianhakutaulukko

### **Ei kuvaa/ääntä.**

1. Onko kaikki yksiköt liitetty verkkovirtaan?
2. Ovatko kaikki yksiköt päällä?
3. Ovatko kuva ja ääni television valikossa kytketty pois päältä?
4. Onko televisio kytketty dvd-soittimeen oikein?

### **Toisto ei käynnisty.**

1. Onko levy asetettu oikein?
2. Onko levy likainen tai onko siinä sormenjälkiä?
3. Levyssä on väärä aluekoodi.
4. Levyn formaatti on väärä.
5. Muuta sisällönsuojauksen asetuksia.
6. Sulje soitin, irrota pistoke hetkeksi ja aseta se takaisin. Käynnistä laite.
7. Kosteutta lukupäässä. Anna soittimen olla käyttämättä muutaman tunnin ajan.

### **Ei kuvaa.**

1. Onko televisio päällä?
2. Tarkista liitännät.
3. Paina V-MODE ja vaihda ulostulosignaalia.

### **Kuva värähtelee tai on rakeinen.**

1. Älä liitä dvd-soitinta muiden laitteiden kautta, vaan liitä se suoraan televisioon. Häiriöt saattavat johtua dvd-soittimen sisäisestä kopiointisuojauksesta (tulee olla kaikissa dvd-soittimissa).
2. Käytä RF-adapteria, jos televisiossa ei ole videoliitäntää.
3. Tarkista dvd-soittimen ja television väriasetukset.
4. Levy on heikkolaatuinen tai naarmuinen.

### **Kuva on näyttöä pienempi.**

1. Muuta näytön kuvasuhdetta: (Paina SETUP ja valitse TV Form 4:3 tai 16:9).
2. Valitse kuvasuhde dvd-levyn valikosta.

### **Askeltaminen eteen- tai taaksepäin ei onnistu.**

1. Tietyt levyt on ohjelmoitu niin, ettei niissä voi siirtyä eteen- tai taaksepäin.
2. Levyllä on vain yksi raita.

### **Ei ääntä tai äänenlaatu on huono.**

1. Varmista, että televisio ja vahvistin ovat päällä ja oikein asennetut.
2. Varmista, että televisio ja vahvistin on liitetty oikein ja että liittimet ovat kunnolla kiinni.
3. Valitse toinen ääniraita painamalla AUDIO-painiketta.
4. Varmista, ettei ”Mute”-toiminto ole aktivoituna dvd:ssä, televisiossa tai vahvistimessa.
5. Takaisinkelauksen, tauon, askelluksen, hitaan toiston ja eteenpäinkelauksen aikana ei kuulu ääntä.

### **Mp3-levystä ei kuulu ääntä, tai siitä kuuluu häiriöääniä.**

1. Mikäli mp3-levyllä on mp3-tiedostoja ja ohjelmatiedostoja sekaisin, ohjelmatiedostot eivät kuulu oikein.
2. Varmista, että levyllä on pelkästään mp3-tiedostoja.
3. Kokeile seuraavaa mp3-tiedostoa.



**Kaukosäädin ei toimi.**

1. Paristojen varaustaso on alhainen tai paristot on asetettu väärin.
2. Kaukosäädin on liian kaukana dvd-soittimesta tai yksiköiden välillä on esteitä.
3. Dvd-soitin on valmiustilassa.

**Ei Dolby digital- tai DTS-ääntä digitaalisten ääniliitännöiden kautta.**

1. Varmista, että vahvistin tukee Dolby Digital- tai DTS-ääntä.
2. Tarkista, että dvd-soittimen digitaalisen ääniulostulon ja vahvistimen digitaalisen sisäänmenon välillä on koaksiaaliäänikaapeli.
3. Varmista, että levyssä on Dolby Digital- tai DTS-tuki, ja että se on valittuna levyn valikosta.

**Dvd-soitin ei reagoi kaukosäätimeen.**

1. Kaukosäätimen paristot on vaihdettava. Vaihda vanhojen paristojen tilalle uudet.
2. Kaukosäätimen signaalit eivät ulotu perille. Osoita kaukosäätimellä suoraan dvd-soitinta kohti.
3. Kaukosäädin ja dvd-soitin ovat liian kaukana toisistaan. Pienennä välimatkaa.

## 10. Kierrätys

Kierrätä tuote asianmukaisesti, kun poistat sen käytöstä. Ota yhteys kuntasi jäteneuvontaan, mikäli olet epävarma.



## 11. Tekniset tiedot

**Yleiset ominaisuudet:**

Yhteensopivat muistikortit:	USB, SD, MMC, MS
Värijärjestelmä:	PAL/NTSC/MULTI
Taajuusalue:	Dvd Video (MIP 96 kHz): 20 Hz ~ 44 kHz (+ 1 dB) Dvd Video (MIP 48 kHz): 20 Hz ~ 22 kHz (+ 0,5 dB) CD: 20 Hz ~ 22 KHz (+ 0,5 dB)
Taajuusvaste:	> 90 dB (kun 1 kHz, 0 dB)
Liitännät:	SCART, S-video, komponenttideo, HDMI, koaksiaalinen digitaalinen ja analoginen ääniliitäntä
Virtalähde:	220 – 240 V AC, 50/60 Hz
Virrankulutus:	20 W
Mitat:	430 x 38 x 260 mm
Paino:	2,4 kg

**Ulostuloliitännät:**

Videoulostulo:	1,0 Vpp (75 ohmia)
Analoginen ääniulostulo:	2,0 V rms
S-videoulostulo:	(Y) 1,0 Vpp (75 Ohmia) (C) 286 mVpp (75 Ohmia)
Komponenttvideoulostulo:	(Y) 1,0 Vpp (75 Ohmia) 0,7 Vpp (75 Ohmia)
Koaksiaali videoulostulo:	0,5 Vpp (75 Ohmia)





