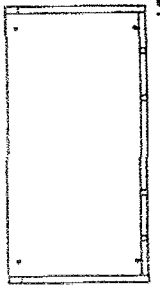


Assembly Instruction

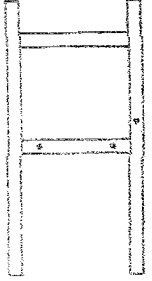
Contents:



1 x

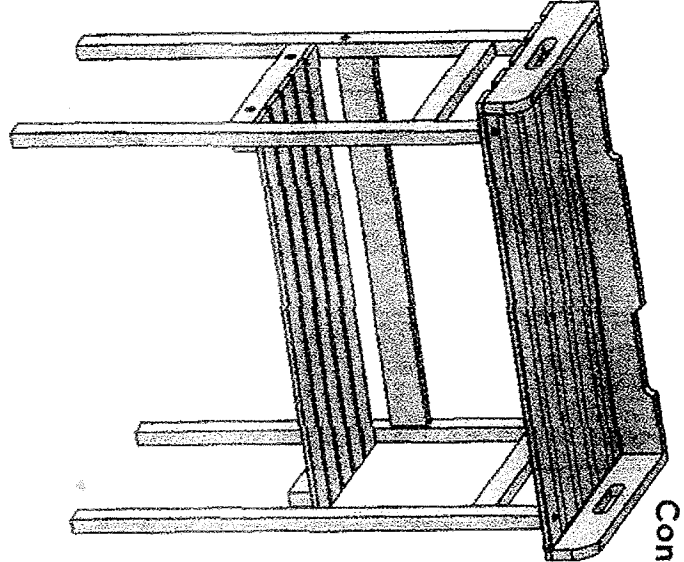


1 x

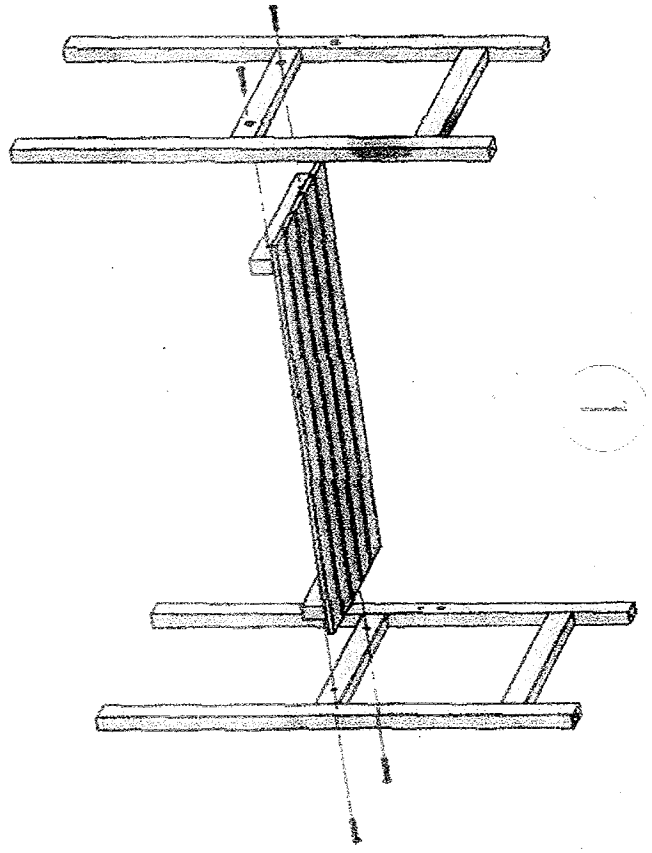


2 x

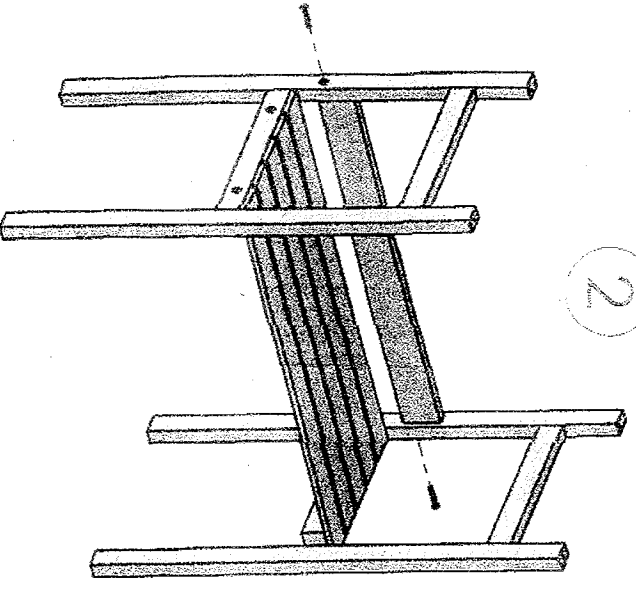
10 x M5 (40mm)



1



2



3

