

41-1243

Cocraft[®]
PRO EDITION

RECIPROCATING SAW 18V

PRO RT18-PL

TIGERSÅG
PUUKKOSAHA

MULTISAG
SÄBELSÄGE



Important!

Read the entire instruction manual carefully and make sure that you fully understand it before you use the equipment. Keep the manual for future reference.

Viktig information:

Läs hela bruksanvisningen noggrant och försäkra dig om att du har förstått den innan du använder utrustningen. Spara bruksanvisningen för framtida bruk.

Viktig informasjon:

Les disse anvisningene nøye og forsikre deg om at du forstår dem, før du tar produktet i bruk. Ta vare på anvisningene for seinere bruk.

Tärkeää tietoa:

Lue nämä ohjeet huolellisesti ja varmista että olet ymmärtänyt ne, ennen kuin alat käyttää laitetta. Säilytä ohjeet myöhempää tarvetta varten.

Wichtiger Hinweis:

Vor Inbetriebnahme die komplette Bedienungsanleitung sorgfältig durchlesen und aufbewahren.

Art.no
41-1243

Model
CSR18H.2

Ver. 20170216
Original instructions
Bruksanvisning i original
Originalbruksanvisning
Alkuperäinen käyttöohje
Original Bedienungsanleitung

ENGLISH

SVENSKA

NORSK

SUOMI

DEUTSCH

Reciprocating Saw

Art.no 41-1243 Modell CSR18H.2

Please read the entire instruction manual before using the product and then save it for future reference. We reserve the right for any errors in text or images and any necessary changes made to technical data. In the event of technical problems or other queries, please contact our Customer Services (see address details on the back).

Safety

General Power Tool Safety Warnings – Personal Safety

WARNING! Read all safety warnings and all instructions. Failure to follow the warnings and instructions may result in electric shock, fire and/or serious injury. The term "power tool" in the warnings refers to your mains-operated (corded) power tool or battery-operated (cordless) power tool.

SAVE ALL WARNINGS AND INSTRUCTIONS FOR FUTURE REFERENCE.

1) Work area safety

- a) **Keep work area clean and well lit.** Cluttered or dark areas invite accidents.
- b) **Do not operate power tools in explosive atmospheres, such as in the presence of flammable liquids, gases or dust.** Power tools create sparks which may ignite the dust or fumes.
- c) **Keep children and bystanders away while operating a power tool.** Distractions can cause you to lose control.

2) Electrical safety

- a) **Power tool plugs must match the outlet. Never modify the plug in any way. Do not use any adapter plugs with earthed (grounded) power tools.** Unmodified plugs and matching outlets will reduce risk of electric shock.
- b) **Avoid body contact with earthed or grounded surfaces, such as pipes, radiators, ranges and refrigerators.** There is an increased risk of electric shock if your body is earthed or grounded.
- c) **Do not expose power tools to rain or wet conditions.** Water entering a power tool will increase the risk of electric shock.
- d) **Do not abuse the cord. Never use the cord for carrying, pulling or unplugging the power tool. Keep cord away from heat, oil, sharp edges or moving parts.** Damaged or entangled cords increase the risk of electric shock.
- e) **When operating a power tool outdoors, use an extension cord suitable for outdoor use.** Use of a cord suitable for outdoor use reduces the risk of electric shock.

- f) **If operating a power tool in a damp location is unavoidable, use a residual current device (RCD) protected supply.** Use of an RCD reduces the risk of electric shock.

3) *Personal safety*

- a) **Stay alert, watch what you are doing and use common sense when operating a power tool. Do not use a power tool while you are tired or under the influence of drugs, alcohol or medication.** A moment of inattention while operating power tools may result in serious personal injury.
- b) **Use personal protective equipment. Always wear eye protection.** Protective equipment such as dust mask, non-skid safety shoes, hard hat, or hearing protection used for appropriate conditions will reduce personal injuries.
- c) **Prevent unintentional starting. Ensure the switch is in the off-position before connecting to power source and/or battery pack, picking up or carrying the tool.** Carrying power tools with your finger on the switch or energising power tools that have the switch on invites accidents.
- d) **Remove any adjusting key or wrench before turning the power tool on.** A wrench or a key left attached to a rotating part of the power tool may result in personal injury.
- e) **Do not overreach. Keep proper footing and balance at all times.** This enables better control of the power tool in unexpected situations.
- f) **Dress properly. Do not wear loose clothing or jewellery. Keep your hair, clothing and gloves away from moving parts.** Loose clothes, jewellery or long hair can be caught in moving parts.
- g) **If devices are provided for the connection of dust extraction and collection facilities, ensure these are connected and properly used.** Use of dust collection can reduce dust related hazards.

4) *Power tool use and care*

- a) **Do not force the power tool. Use the correct power tool for your application.** The correct power tool will do the job better and safer at the rate for which it was designed.
- b) **Do not use the power tool if the switch does not turn it on and off.** Any power tool that cannot be controlled with the switch is dangerous and must be repaired.
- c) **Disconnect the plug from the power source and/or the battery pack from the power tool before making any adjustments, changing accessories, or storing power tools.** Such preventive safety measures reduce the risk of starting the power tool accidentally.
- d) **Store idle power tools out of the reach of children and do not allow persons unfamiliar with the power tool or these instructions to operate the power tool.** Power tools are dangerous in the hands of untrained users.
- e) **Maintain power tools. Check for misalignment or binding of moving parts, breakage of parts and any other condition that may affect the power tool's operation. If damaged, have the power tool repaired before use.** Many accidents are caused by poorly maintained power tools.

- f) **Keep cutting tools sharp and clean.** Properly maintained cutting tools with sharp cutting edges are less likely to bind and are easier to control.
- g) **Use the power tool, accessories and tool bits, etc. in accordance with these instructions, taking into account the working conditions and the work to be performed.** Use of the power tool for operations different from those intended could result in a hazardous situation.

5) *Battery tool use and care*

- a) **Recharge only with the charger specified by the manufacturer.** A charger that is suitable for one type of battery pack may create a risk of fire when used with another battery pack.
- b) **Use power tools only with specifically designated battery packs.** Use of any other battery packs may create a risk of injury and fire.
- c) **When battery pack is not in use, keep it away from other metal objects, like paper clips, coins, keys, nails, screws or other small metal objects, that can make a connection from one terminal to another.** Shorting the battery terminals together may cause burns or a fire.
- d) **Under abusive conditions, liquid may be ejected from the battery; avoid contact. If contact accidentally occurs, flush with water. If liquid contacts eyes, additionally seek medical help.** Liquid ejected from the battery may cause irritation or burns.

6) *Service*

- a) **Have your power tool serviced by a qualified repair person using only identical replacement parts.** This will ensure that the safety of the power tool is maintained.

Specific safety instructions for reciprocating saws

Important: Always remove the battery from the reciprocating saw before performing any adjustment, service or maintenance.

- a) Keep hands and fingers away from the saw blade and other moving parts. Do not reach under the workpiece being sawn. The blade or your hand could be out of your field of vision.
- b) Ensure that there are no hidden electrical wires or water pipes in the ceiling or wall into which you about to saw. Remove all fuses and cut off the power supply to any wiring circuits which may be connected to any electrical wiring concealed within the wall. Grip only the plastic parts of the reciprocating saw. Never grip any metal parts of the saw when cutting in areas where there might be live electrical wires.
- c) Do not use blunt or damaged saw blades. Bent saw blades can easily break or cause kickback.
- d) Start the saw and allow it to attain proper operating speed before sawing.
- e) Clamp down any small workpieces before sawing them.
- f) Make sure that the settings are correct and that the blade is securely fastened in the blade holder before beginning to saw.

Safety Warnings for battery pack

- a) Do not dismantle, open or shred cells or battery pack.
- b) Do not short-circuit a battery pack. Do not store battery packs haphazardly in a box or drawer where they may short-circuit each other or be short-circuited by conductive materials. When battery pack is not in use, keep it away from other metal objects, like paper clips, coins, keys, nails, screws or other small metal objects, that can make a connection from one terminal to another. Shorting the battery terminals together may cause burns or a fire.
- c) Do not expose battery pack to heat or fire. Avoid storage in direct sunlight.
- d) Do not subject battery pack to mechanical shock.
- e) In the event of battery leaking, do not allow the liquid to come into contact with the skin or eyes. If contact has been made, wash the affected area with copious amounts of water and seek medical advice.
- f) Seek medical advice immediately if a cell or battery pack has been swallowed.
- g) Keep battery pack clean and dry.
- h) Wipe the battery pack terminals with a clean dry cloth if they become dirty.
- i) Battery pack needs to be charged before use. Always refer to this instruction and use the correct charging procedure.
- j) Do not maintain battery pack on charge when not in use.
- k) After extended periods of storage, it may be necessary to charge and discharge the battery pack several times to obtain maximum performance.
- l) Battery pack gives its best performance when it is operated at normal room temperature (20 ± 5 °C).
- m) When disposing of battery packs, keep battery packs of different electrochemical systems separate from each other.
- n) Recharge only with the specified charger. Do not use any charger other than that specifically provided for use with the equipment.
A charger that is suitable for one type of battery pack may create a risk of fire when used with another battery pack.
- o) Do not use any battery pack which is not designed for use with the equipment.
- p) Keep battery pack out of the reach of children.
- q) Retain the original product literature for future reference.
- r) Remove the battery from the equipment when not in use.
- s) Dispose of properly.

General safety instructions for batteries and chargers

- Never attempt to dismantle a battery.
- Never store a battery in direct sunlight or at temperatures above 40 °C.
- Only charge the battery when the ambient temperature is between +5 and 40 °C.
- Never expose the battery or charger to water.

Vibration

- The measurement of the vibration emission level declared in this instruction manual has been carried out in accordance with a standardised test method described in EN 60745 and can be used for comparing one power tool with another.
- The measurement method may also be used for a preliminary assessment of vibration exposure.
- The declared vibration emission level applies when the power tool is used in accordance with this instruction manual. If however, the power tool is used for other purposes and with other accessories or has not been properly maintained, the vibration emission level could increase significantly over the total working period.
- For an exact assessment of the vibration exposure, the times when the tool is switched off or running idle should also be taken into account. This significantly reduces the vibration exposure over the total working period. Decide upon safety measures to protect the operator from the effects of vibration during all types of use.

Product safety symbols



Read the entire instruction manual.



Always use ear protection.
Always use safety glasses.
Always use respiratory protection.



max 50 °C



Protect the battery against heat, e. g., against continuous intense sunlight, fire, water, and moisture.
Danger of explosion.

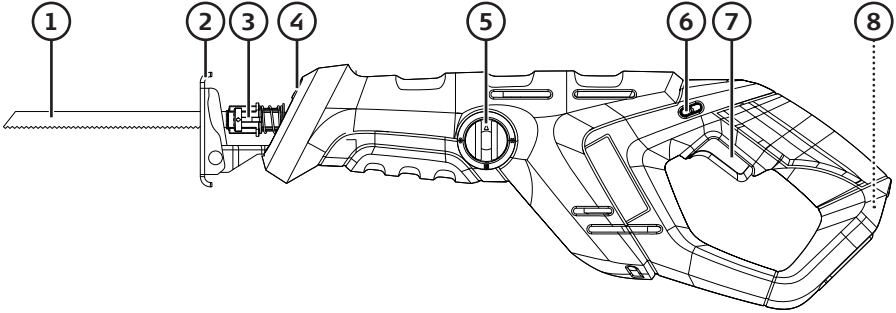


For indoor use only.



Do not expose the reciprocating saw to water, rain or wet conditions.

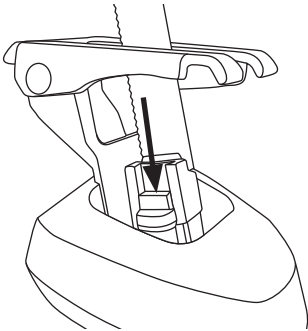
Product description



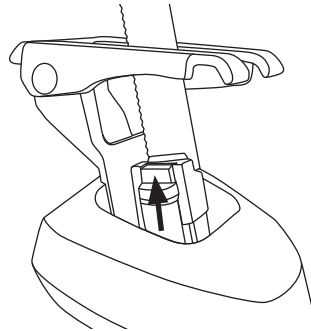
1. Saw blade
2. Shoe
3. Quick release blade clamp
4. LED work light
5. Pendulum action selector
6. Power trigger lock
7. Power trigger
8. Battery connection

Fitting and replacing the blade

Note: Always remove the battery from the reciprocating saw before performing any adjustment, service or maintenance.



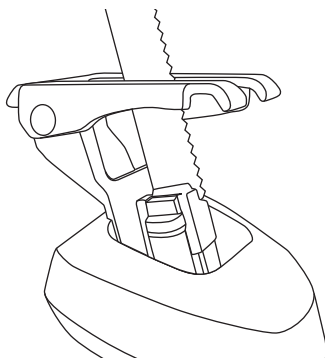
1. Press down the blade clamp release button as shown in the figure and push the blade all the way into the clamp.



2. Release the button and check that it has sprung back out.

- For certain applications the saw blade can be fitted with the teeth facing upwards.

Warning: Make sure that the pendulum action selector is set to **0** if the blade is fitted with the teeth facing upwards.



Setting the pendulum action

The adjustable pendulum motion can be adapted to the workpiece material being sawed. Turn the selector (5) to the desired setting.

- Position 0: Sheet metal, steel, hard plastic or rubber (no pendulum)
- Position I: Non-ferrous metals, hard wood, hard plastic
- Position II: Wood
- Position III: Wood (widest pendulum motion for greatest stock removal)

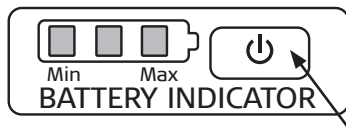
Battery and charger

Note: Both the battery and charger are sold separately.

The charge indicator on the battery

Note: The indicator only gives a general picture of the battery charge status. The percentages shown below should therefore only be considered as approximate.

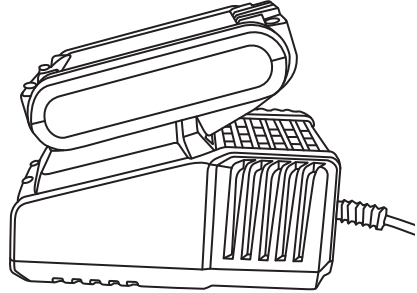
- Press the button to the right of the battery indicator to display the current battery status.
- At full, 100 % charge, all three LEDs shine. At 90 % charge, one LED goes out and two LEDs shine. At 25 % charge, another LED goes out and only one LED shines. If none of the LEDs shines, the battery is completely discharged and needs charging.



Charging

Charging temperature range: 5–40 °C.

1. Connect the charger to a wall socket.
The green LED will come on.
2. Slide the battery into the charger. The green LED will go out and the red LED will come on whilst the battery is being charged.
3. When the battery has been fully charged, the green LED will come on.
4. Remove the battery from the charger and disconnect the charger from the mains once the battery is fully charged.



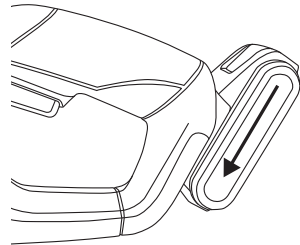
- The charging time is approximately 40 min.
- The battery may become hot whilst it is being charged. This is completely normal.
- The battery and charger function best at normal room temperature. Do not charge the battery in direct sunlight or in temperatures below 5 °C. The temperature range for charging is 5–40 °C.
- When the battery becomes discharged, the electronics of the battery will turn the reciprocating saw off automatically.
- For long-term storage (months) the battery should first be fully charged.

Charging error indications

- The red LED flashes: Defective battery, change the battery.
- The green LED flashes: Battery too hot or too cold to charge. Let the battery reach normal room temperature before charging.

Attaching/detaching the battery

1. Slide the power trigger lock (6) to the left to lock the power trigger (7). This is to prevent the reciprocating saw from starting accidentally when the battery is being installed.
2. Slide the battery onto the bottom of the tool until it clicks into place.
3. To remove the battery, press down the battery release button (4) and slide the battery off the tool.



Switching on and off

- **Switching on:** Slide the trigger lock (6) to the right to unlock the power trigger (7). The blade speed is controlled by the amount of pressure on the power trigger.
- **Switching off:** Release the trigger to switch the reciprocating saw off.

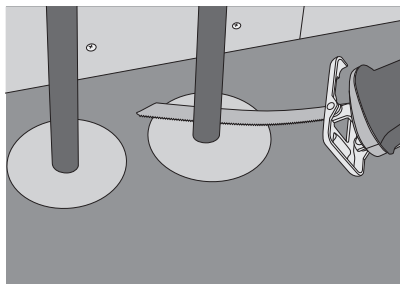
Operation

- Make sure that the saw blade is locked in the blade clamp before starting to saw.
- Make sure that the workpiece is securely anchored or clamped to prevent it slipping (especially small or light workpieces). It is the saw that you want to move, not the workpiece.
- Mark the cut line clearly before starting to cut.
- Adjust the footplate so that it rests against the surface of the workpiece.
- Hold the saw in a firm grip at a comfortable working distance from the workpiece and make sure that the blade is not touching anything when the saw is turned on.
- Start the saw by pressing in the power trigger.
- Move the blade carefully towards the workpiece. Do not overload the saw – let it work at its own pace. It is the saw blade that should do the work; do not force the blade into the workpiece.

Sawing flush to a surface

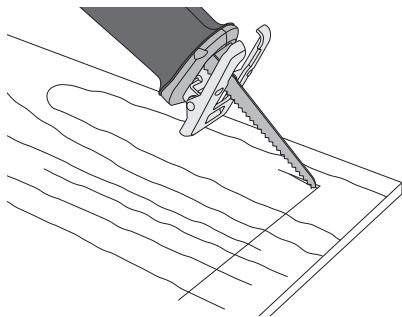
Handy hint: By using a flexible bi-metal saw blade you can saw right up to the edge of a surface. This is useful when sawing off pipes protruding from a wall for example.

1. Lay the side of the saw blade flat against the surface/wall and tilt the saw so that the side of the footplate rests against the surface/wall.
2. Lay a thin piece of hard plastic between the blade and the surface to protect the surface.



Sawing corners

1. Mark the cut line clearly before starting to cut.
2. Line the tip of the blade along the cut line.
3. Rest the edge of the footplate on the workpiece and hold the saw almost parallel to the workpiece with the blade in the air.
4. Start the saw and let it come up to speed.
5. Slowly tilt the saw upwards so that the blade feeds into the marked cut line.
6. Continue to tilt the saw upwards until it is at right angles to the workpiece, cut until you reach the next corner.



Warning:

Do not feed the saw blade into the material until it has fully come up to the set speed or serious injury may result.

Sawing metal

Use a sharp blade specially designed for cutting metal. Use cutting oil* for cooling and lubrication while cutting metal. Do not overload the saw – let it work at its own pace.

* Different materials require different lubricants/coolants.

Overload protection and other safety features

The reciprocating saw/battery has a number of safety features that prevent damage to the reciprocating saw and battery during use.

- During short high-load situations the overload protection may switch the reciprocating saw/battery off. This protection resets automatically. Release the trigger, wait a few seconds, ensure that there is no load and restart the reciprocating saw. The reciprocating saw should now function normally again.
- During high-load for extended periods the overheating protection may switch the reciprocating saw/battery off. The protection resets itself but the reciprocating saw cannot be restarted until it has returned to normal operating temperature. Let the reciprocating saw cool before resuming work. Do not expose the reciprocating saw to direct sunlight for prolonged periods. Doing so could cause the overheating protection to trigger.
- The battery has a deep discharge undervoltage protection which operates when the battery becomes discharged. The deep discharge protection turns the reciprocating saw off automatically. The battery then needs to be recharged.

Care and maintenance

- Keep the motor ventilation openings free from contaminants.
- Clean the exterior of the reciprocating saw by wiping it with a damp cloth. Use only mild cleaning agents, never solvents or corrosive chemicals.
- If the reciprocating saw is not to be used for a long time, the battery should be fully charged before the tool is stored away.
- Store the reciprocating saw in a dry place out of children's reach whenever it is not to be used for a long time.

Troubleshooting guide

The reciprocating saw won't start.	<ul style="list-style-type: none"> • The battery is discharged. Recharge the battery. • The overload or overheating protection has been triggered. Let the reciprocating saw rest and cool for a few seconds before resuming work. • Faulty power trigger. Contact our customer services.
The reciprocating saw stops or is sluggish.	<ul style="list-style-type: none"> • The battery is discharged. Recharge the battery. • The overload or overheating protection has been triggered. Let the reciprocating saw rest and cool for a few seconds before resuming work. • If the problem remains, make sure that the reciprocating saw is not overloaded. Reduce the load. • Is the task suitable for the reciprocating saw?
The battery does not charge.	<ul style="list-style-type: none"> • Is the charger properly connected to the wall socket? • Is the wall socket live? • Is the battery correctly connected to the charger? • Is the battery defective or too hot/cold? Refer to the <i>Charging-Charging error indications</i> section above.

Responsible disposal

This symbol indicates that this product should not be disposed of with general household waste. This applies throughout the entire EU. In order to prevent any harm to the environment or health hazards caused by incorrect waste disposal, the product must be handed in for recycling so that the material can be disposed of in a responsible manner. When recycling your product, take it to your local collection facility or contact the place of purchase. They will ensure that the product is disposed of in an environmentally sound manner.



Specifications

No-load speed	0–2900 rpm
Stroke length	22 mm
Sawing capacity	Wood 177 mm, tubing 76 mm and steel 12 mm.
Pendulum action	4-stage
Work light	LED
Noise emission data	LpA: 72.2 dB(A) (uncertainty KpA: 3 dB(A) LwA: 83.2 dB(A) (uncertainty KwA: 3 dB(A))
Hearing protection must be worn when the sound level exceeds	80 dB(A)
Vibration value	a_h 4.19 m/s ² , K: 1.5 m/s ²
Vibration value	a_h 8.80 m/s ² , K: 1.5 m/s ²
Weight	2.5 kg (with 2.0 Ah battery)

Tigersåg

Art.nr 41-1243 Modell CSR18H.2

Läs igenom hela bruksanvisningen före användning och spara den sedan för framtida bruk. Vi reserverar oss för ev. text- och bildfel samt ändringar av tekniska data. Vid tekniska problem eller andra frågor, kontakta vår kundtjänst (se adressuppgifter på baksidan).

Säkerhet

Generella säkerhetsinstruktioner för laddbara handverktyg

Varning! Läs alla instruktioner. Om nedanstående instruktioner inte följs kan detta leda till elektrisk stöt, brand eller allvarlig skada. Termen "elektriskt handverktyg" i varningstexten nedan refererar till ditt nätanslutna eller batteridrivna handverktyg.

SPARA DESSA INSTRUKTIONER!

1) Arbetsutrymmet

- a) **Håll arbetsutrymmet rent och väl upplyst.** Belamrade och mörka utrymmen inbjuder till olyckor.
- b) **Använd inte elektriska handverktyg i explosiva miljöer, som i närheten av lättantändliga vätskor, gaser eller damm.** Elektriska handverktyg genererar gnistor som kan antända damm och ångor.
- c) **Håll barn och åskådare på avstånd när du använder det elektriska handverktyget.** Störningsmoment kan göra att du tappar kontrollen över verktyget.

2) Elektrisk säkerhet

- a) **Det elektriska handverktygets stickpropp måste passa i vägguttaget. Modifiera aldrig stickproppen på något vis. Använd aldrig adapter tillsammans med jordade elektriska handverktyg.** Omodifierade stickproppar och passande vägguttag minskar risken för elektrisk stöt.
- b) **Undvik kroppskontakt med jordade föremål, som rör, element, köksspis eller kylskåp.** Det innebär ökad risk för elektrisk stöt om din kropp är jordad.
- c) **Utsätt inte det elektriska handverktyget för regn eller våta förhållanden.** Om vatten tränger in i ett elektriskt handverktyg ökar det risken för elektrisk stöt.
- d) **Misshandla inte nätsladden. Använd aldrig nätsladden för att bära eller dra handverktyget eller för att rycka stickproppen ur vägguttaget. Håll undan nätsladden från värme, olja, vassa kanter och rörliga delar.** Skadade eller trassliga nätsladdar ökar risken för elektrisk stöt.
- e) **När du använder ett elektriskt handverktyg utomhus, använd en skarvsladd anpassad för detta ändamål.** Användning av en skarvsladd för utomhusbruk minskar risken för elektrisk stöt.

- f) **Om du måste använda ett elektriskt handverktyg på en fuktig plats, anslut verktyget till elnätet via en jordfelsbrytare.** Användning av jordfelsbrytare minskar risken för elektrisk stöt.

3) *Personlig säkerhet*

- a) **Var uppmärksam på vad du gör och använd sunt förnuft när du använder ett elektriskt handverktyg. Använd inte ett elektriskt handverktyg om du är trött eller påverkad av droger, alkohol eller medicinering.** Ett ögonblicks ouppmärksamhet när du använder ett elektriskt handverktyg kan resultera i allvarlig personskada.
- b) **Använd skyddsutrustning. Bär alltid skyddsglasögon.** Användning av skyddsutrustning som andningsskydd, halksäkra skyddsskor, hjälm och hörselskydd vid behov minskar risken för personskada.
- c) **Undvik oavsiktlig start. Se till att strömbrytaren är i läge OFF innan du ansluter stickproppen till vägguttaget.** Att bära ett elektriskt handverktyg med ett finger på strömbrytaren/avtryckaren eller att ansluta ett elektriskt handverktyg till elnätet när strömbrytaren är i läge ON inbjuder till olyckor.
- d) **Ta bort alla serviceverktyg/nycklar innan du slår på det elektriska handverktyget.** Ett kvarglömt serviceverktyg på en roterande del av det elektriska handverktyget kan resultera i personskada.
- e) **Sträck dig inte för långt. Se till att du står stadigt med god balans hela tiden.** Detta möjliggör bättre kontroll i oväntade situationer.
- f) **Bär lämplig klädsel. Bär inte löst sittande kläder eller smycken. Håll undan hår, kläder och handskar undan från rörliga delar.** Lösa kläder, smycken eller långt hår kan fastna i rörliga delar.
- g) **Om utrustning för utsugning och uppsamling av damm finns tillgänglig, se till att denna är ansluten och används.** Användning av dessa hjälpmedel kan minska dammrelaterade faror.

4) *Användning och underhåll av det elektriska handverktyget*

- a) **Pressa inte det elektriska handverktyget. Använd ett elektriskt handverktyg som är avsett för det arbetsmoment du utför.** Korrekt elektriskt handverktyg gör jobbet bättre och säkrare med avsedd matningshastighet.
- b) **Använd inte det elektriska handverktyget om strömbrytaren inte slår på och stänger av verktyget.** Alla elektriska handverktyg som inte kan kontrolleras med strömbrytaren är farliga och måste repareras.
- c) **Ta stickproppen ur vägguttaget innan du utför några justeringar, byter tillbehör eller lägger undan det elektriska handverktyget för förvaring.** Dessa åtgärder i förebyggande syfte minskar risken för att starta det elektriska handverktyget oavsiktligt.
- d) **Förvara elektriska handverktyg som inte används utom räckhåll för barn och låt inte personer som inte är förtrogna med det elektriska handverktyget eller dessa instruktioner använda det.** Elektriska handverktyg är farliga om de kommer i händerna på ovana användare.

- e) **Underhåll elektriska handverktyg.** Kontrollera om något är felinställt, om rörliga delar kärvar, om delar har gått sönder eller om något annat inträffat som kan påverka funktionen hos det elektriska handverktyget. Om något är skadat måste det repareras före användning. Många olyckor beror på dåligt underhållna elektriska handverktyg.
- f) **Håll verktygen vassa och rena.** Ordentligt underhållna skärverktyg med vassa eggår är mindre benägna att kärva och lättare att kontrollera.
- g) **Använd det elektriska handverktyget, tillbehör och liknande enligt instruktionerna och på det sätt som är ämnat för just den typen av elektriskt handverktyg, och ta även hänsyn till arbetsförhållandena och den typ av arbete som ska utföras.** Användning av det elektriska handverktyget för andra arbeten än vad det är ämnat för kan resultera i en farlig situation.

5) Användning och service av det laddbara handverktyget

- a) **Se till att strömbrytaren är i avstängt läge innan du monterar batteriet.** Att montera batteriet på ett elektriskt handverktyg som har strömbrytaren i påslaget läge inbjuder till olyckor.
- b) **Ladda batteriet endast med en laddare som är utvald av tillverkaren.** En laddare som passar till en typ av batteri kan orsaka brandrisk om den används till en annan typ av batteri.
- c) **Använd laddbara handverktyg endast tillsammans med därför ämnade batterier.** Användning av andra batterier kan orsaka skade- och brandrisk.
- d) **När batteriet inte används, förvara det på avstånd från andra metallföremål som gem, mynt, nycklar, spikar, skruvar eller andra små metallföremål som kan skapa kontakt från den ena batteripolen till den andra.** Kortslutning av batteripolerna kan orsaka brännskador eller brand.
- e) **Batteriet misshandlas kan syra läcka ut. Undvik kontakt med syran. Om du av misstag kommer i kontakt med syran, spola med vatten. Om syran kommer i kontakt med ögonen, uppsök läkare.** Syra som kommer från batteriet kan orsaka irritation och brännskador.

6) Service

- a) **Låt behörig personal utföra service och reparationer, och endast med originalreservdelar.** Detta garanterar att säkerheten hos det elektriska handverktyget behålls.

Säkerhetsinstruktioner – Tigersåg

Viktigt! Ta alltid ut batteriet ur tigersågen före justering, service eller underhåll.

- a) Håll händer och fingrar på avstånd från sågbladet och andra rörliga delar. Sträck dig inte under materialet som sågas. Bladet eller handen kan vara utom synhåll.
- b) Försäkra dig om att inga el- eller vattenledning finns om du sågar i väggar eller tak. Ta ut alla säkringar och slå av alla strömbrytare som kan vara i kontakt med ev. elledningar. Håll endast i tigersågens plastdetaljer. Håll inte i någon del av metall när sågen används på en plats där dolda elledningar kan finnas.

- c) Använd inte slöa eller skadade sågblad. Böjda sågblad kan lätt brytas eller orsaka kast.
- d) Starta tigersågen och låt den gå upp i fullt varv innan sågningen påbörjas.
- e) Sätt fast mindre arbetsstycken med tving, skruvstycke etc. innan sågningen påbörjas.
- f) Kontrollera att inställningarna är rätt och att bladet sitter fast i fästet innan sågningen påbörjas.

Särskilda säkerhetsföreskrifter för batterier/batteripack

- a) **Försök aldrig öppna, ta isär eller på något annat sätt skada eller göra åverkan på batteriet.**
- b) **Kortslut inte batteriet. Förvara inte batteriet på sådant sätt att det kan komma i kontakt med andra batterier eller med andra strömledande föremål.** När batteriet inte används, håll det på avstånd från alla metallföremål, t.ex. gem, mynt, nycklar, spikar och skruvar. Dessa föremål kan skapa kontakt mellan batteriets terminaler och kortsluta batteriet, vilket kan leda till brännskador eller brand.
- c) **Utsätt inte batteriet för värme eller öppen eld. Förvara inte batteriet i ihållande solljus.**
- d) **Utsätt inte batteriet för slag och stötar.**
- e) **Om batteriet läcker, låt inte vätskan komma i kontakt med hud eller ögon.** Om så har skett, skölj omedelbart det utsatta området med rikligt med vatten och ta kontakt med läkare.
- f) **Om batteriet eller delar av det har svalts, sök omedelbart kontakt med läkare.**
- g) **Håll batteriet rent och torrt.**
- h) **Rengör batteriet med en ren, torr trasa.**
- i) **Batteriet måste laddas innan det används. Följ alltid anvisningarna i den här bruksanvisningen och använd rätt laddmetod.**
- j) **Låt inte batteriet stå på laddning under längre perioder när det inte används.**
- k) **Om batteriet har lagrats under en längre period kan det behöva laddas och urladdas ett flertal gånger innan det uppnår sin fulla kapacitet.**
- l) **Batteriet har bäst kapacitet när det används i rumstemperatur (20 ± 5 °C).**
- m) **När batteriet ska lämnas till återvinning, håll batterier med olika elektrokemisk uppbyggnad separerade från varandra.**
- n) **Ladda batteriet endast med den medföljande laddaren. Använd ingen annan laddare än den som är speciellt utformad och avsedd för det aktuella batteriet.** En laddare som är avsedd för en viss typ av batterier kan, om den används till andra batterier, leda till brand.
- o) **Använd inte ett batteri som är avsett för annat verktyg än det som beskrivs i den här bruksanvisningen.**
- p) **Håll batteriet utom räckhåll för barn.**
- q) **Spara alla originaldokument som medföljer verktyget, för framtida bruk.**
- r) **Ta ut batteriet ur verktyget när det inte används.**
- s) **När du ska göra dig av med produkten ska detta ske enligt lokala föreskrifter.**

Säkerhetsinstruktioner för batterier och laddare

- Försök aldrig att öppna batteriet.
- Förvara aldrig batteriet i direkt solljus eller vid temperaturer över 40 °C.
- Ladda batteriet endast i temperaturer mellan 5 och 40 °C.
- Utsätt aldrig batteriet eller laddaren för vatten.

Vibration

- Mätningen av den vibrationsnivå som anges i denna bruksanvisning har utförts enligt en mätmetod som är standardiserad i EN 60745 och kan användas vid jämförelse av olika elektriska handverktyg.
- Mätmetoden är även lämplig för preliminär bedömning av vibrationsbelastningen.
- Den angivna vibrationsnivån gäller när det elektriska handverktyget används på det sätt som beskrivs i den här bruksanvisningen. Om däremot det elektriska handverktyget används för andra ändamål och med andra tillbehör eller inte har underhållits ordentligt kan vibrationsnivån under arbetsperioden öka betydligt.
- För en exakt bedömning av vibrationsbelastningen bör även de tider beaktas när det elektriska handverktyget är frånkopplat eller är igång utan att det används. Detta reducerar vibrationsbelastningen betydligt för den totala arbetsperioden. Bestäm säkerhetsåtgärder för att skydda operatören mot vibrationernas inverkan vid alla typer av användning.

Produktmärkning med säkerhetssymboler



Läs hela bruksanvisningen.



Använd alltid hörselskydd.
Använd alltid skyddsglasögon.
Använd alltid andningsskydd.



max 50 °C



Håll batteriet på avstånd från värme, t.ex. ihållande solljus eller öppen eld, vatten och fukt.
Risk för explosion.

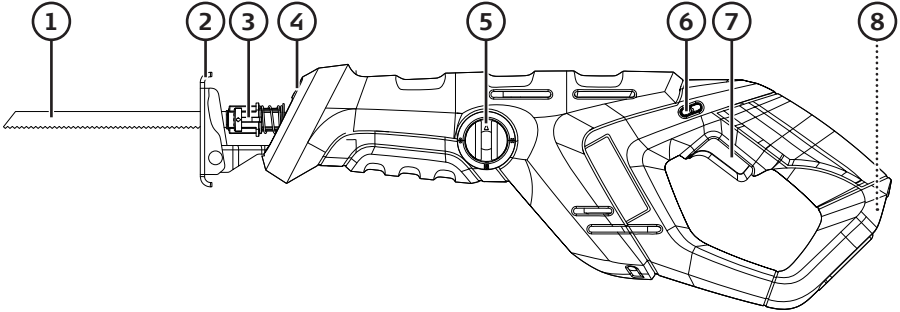


Endast för inomhusbruk.



Utsätt inte produkten för regn, vatten eller annan vätska.

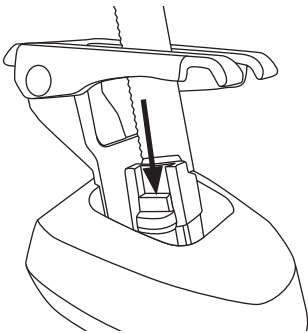
Produktbeskrivning



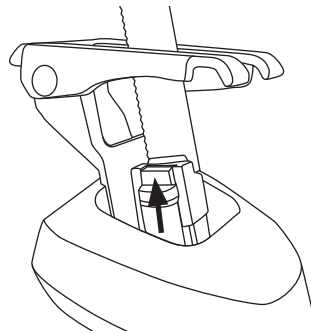
1. Sågblad
2. Fotplatta
3. Snabbfäste för sågblad
4. LED-belysning
5. Vred för reglering av pendelrörelse
6. Låsreglage för strömbrytare
7. Strömbrytare
8. Batterianslutning

Montering/byte av sågblad

Obs! Ta **alltid** ut batteriet ur tigersågen före montering/byte av sågblad, justering, service eller underhåll.



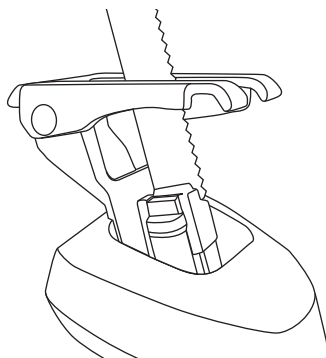
1. Tryck ner snabbfästet som bilden visar och skjut in sågbladet helt i fästet.



2. Släpp tillbaka snabbfästet och kontrollera att det fjädrat tillbaka helt.

3. För vissa arbetsmoment kan sågbladet monteras med tänderna vända uppåt.

Varning! Se till att vredet för reglering av pendelrörelse står i läge **0** om bladet monteras med tänderna uppåt.



Inställning av pendling

Med justerbar pendelrörelse kan sågningen anpassas till materialet. Vrid vredet (5) till önskat läge.

- Läge 0: Plåt, stål, hård plast eller gummi (ingen pendelrörelse)
- Läge I: Icke järnhaltig metall, hårt trä eller hård plast
- Läge II: Trä
- Läge III: Trä (störst pendelrörelse vilket ger högsta avverkning)

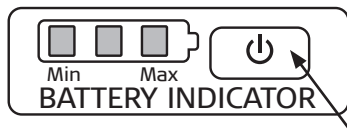
Batteri och laddare

Obs! Batteri och laddare säljs separat.

Batteriindikatorn på batteriet

Obs! Indikatorn ger en ungefärlig bild av batteriets laddstatus, procentalen nedan är att betrakta som ungefärliga uppgifter.

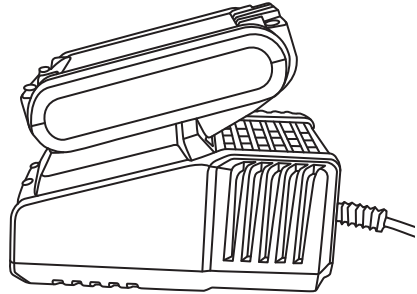
1. Tryck in knappen till höger om indikatorn för visning av batteristatus.
2. Vid fulladdat batteri (100 %) lyser alla tre dioderna. Vid ca 90 % kvar släcks en och två dioder lyser. Vid ca 25 % kvar släcks ytterligare en och endast en diod lyser. Lyser ingen diod är batteriet helt urladdat och måste laddas.



Laddning

Laddtemperatur 5–40 °C.

1. Anslut laddaren till ett vägguttag.
Den gröna lysdioden tänds.
2. Skjut i batteriet i laddaren. Den gröna lysdioden släcks och den röda lysdioden lyser med fast sken när laddning pågår.
3. När batteriet är fulladdat lyser den gröna lysdioden med fast sken.
4. Dra ut batteriet ur laddaren och dra ut laddarens nätkabel ur vägguttaget när batteriet är fulladdat.



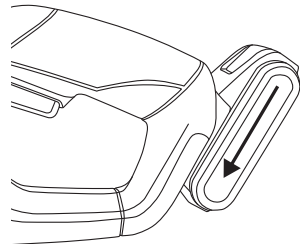
- Laddtiden är ca 40 min.
- Batteriet kan bli varmt vid laddning. Detta är helt normalt.
- Laddaren och batteriet fungerar bäst vid normal rumstemperatur. Ladda inte i direkt solljus eller i lägre temperaturer. Temperaturområde för laddning, 5–40 °C.
- När batteriet är urladdat stänger batteriets elektronik av tigersågen automatiskt.
- Vid längre förvaring (månader) ska batteriet vara laddat.

Felindikering vid laddning

- Den röda lysdioden blinkar: defekt batteri, byt ut batteriet.
- Den gröna lysdioden blinkar: Batteriet är för varmt eller kallt för att laddas. Låt batteriet uppnå normal rumstemperatur innan det laddas.

Sätt i/ta ut batteriet ur tigersågen

1. Skjut låsreglaget för strömbrytaren (6) till vänster så att strömbrytaren (7) är låst. Detta för att undvika att tigersågen startas oavsiktligt när batteriet sätts i.
2. Skjut in batteriet helt i sitt fäste.
3. Tryck ner batterilåset och dra ut batteriet ur fästet när det behöver laddas.



Start och stopp

- **Start:** Skjut låsreglaget (6) till höger för att låsa upp strömbrytaren (7). Hastigheten regleras genom att strömbrytaren trycks in olika mycket.
- **Stopp:** Släpp strömbrytaren.

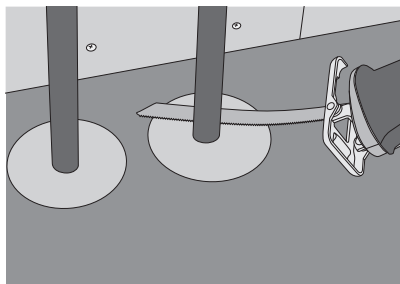
Användning

- Kontrollera att sågbladet sitter fast innan arbetet påbörjas.
- Vid behov, fäst arbetsstycken som ska sågas med tving etc. så att det är sågbladet som rör sig och inte arbetsstycket (gäller särskilt mindre, lätta arbetsstycken).
- Märk ut sågsnittet.
- Placera fotplattan så att den ligger mot arbetsstycket.
- Håll sågen stadigt på bra arbetsavstånd, se till att bladet inte ligger mot arbetsstycket vid start.
- Tryck in strömbrytaren för att starta sågen.
- För sågbladet försiktigt mot arbetsstycket. Överbelasta inte sågen, låt den arbeta i sin egen takt. Det är sågbladet som ska göra jobbet, inte överdriven matning.

Sågning plant mot arbetsyta

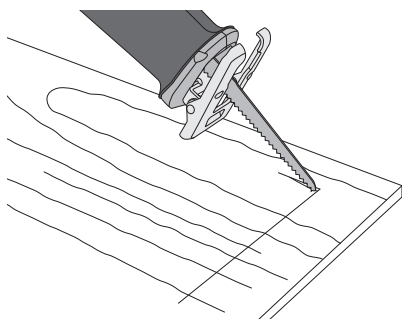
Tips! Vid användning av ett flexibelt bimetallsågblad är det möjligt att såga jäms med en yta, t.ex. ett rör som sticker ut ur en vägg, med hjälp av ett böjt blad.

1. Lägg an sågbladet plant mot väggen och vinkla maskinen så att sidokanten av fotplattan ligger an mot väggen.
2. Såga försiktigt med ett mellanlägg av t.ex. tunn hårdplast för att inte skada ytan.



Sågning av hörn

1. Märk ut sågsnittet.
2. Placera sågbladets spets mot linjen som korsar ditt sågsnitt.
3. Vinkla sågen tills fotplattan vidrör arbetsstycket och sågbladet går fritt.
4. Starta sågen och låt den gå upp i varv.
5. Vik upp sågen sakta så att bladet möter den markerade såglinjen.
6. Fortsätt att vinkla upp sågen tills den är vinkelrät mot arbetsstycket och såga sedan till nästa hörn.



Varning!

Låt inte sågbladet vidröra arbetsstycket innan sågen har nått det inställda maxvarvet, det kan leda till allvarlig skada.

Sågning i metall

Använd ett vasst sågblad som är avsett för metall, använd skärolja* för kylning och smörjning under metallsågning. Överbelasta inte sågen, låt den arbeta i sin egen takt.

* Olika material kräver olika smörj-/kylmedel.

Överbelastning och skydd

Tigersågen/batteriet har ett antal skydd för att undvika skada.

- Vid kortvarig hög belastning kan överbelastningsskyddet stänga av tigersågen/batteriet. Skyddet är självåterställande. Släpp strömbrytaren och vänta några sekunder, se till att tigersågen är utan belastning och starta den på nytt. Den ska nu fungera normalt.
- Vid hög belastning under längre tid kan ett överhettningsskydd stänga av tigersågen/batteriet. Skyddet är självåterställande men tigersågen går inte att starta förrän temperaturen sjunkit till en säker nivå. Låt tigersågen svalna innan arbetet återupptas. Undvik att utsätta tigersågen för ihållande solljus under långa perioder. Detta kan leda till att överhettningsskyddet aktiveras.
- Batteriet har ett underspänningsskydd som aktiveras när batteriet blir urladdat. Underspänningsskyddet stänger av tigersågen och batteriet måste laddas.

Skötsel och underhåll

- Håll alltid motorns ventilationsöppningar fria från föroreningar.
- Rengör tigersågen med en lätt fuktad trasa. Använd ett mildt rengöringsmedel, aldrig lösningsmedel eller frätande kemikalier.
- Om tigersågen inte ska användas under en längre period ska batteriet vara fulladdat före förvaring.
- Förvara tigersågen torrt utom räckhåll för barn om den inte ska användas under en längre period.

Felsökningsschema

Tigersågen startar inte.	<ul style="list-style-type: none"> Batteriet är urladdat. Ladda batteriet. Överbelastnings- eller överhettningsskyddet har aktiverats. Låt tigersågen vila några sekunder eller svalna innan arbetet återupptas. Strömbrytaren är defekt. Kontakta kundtjänst.
Tigersågen stängs av eller går sakta.	<ul style="list-style-type: none"> Batteriet är urladdat. Ladda batteriet. Överbelastnings- eller överhettningsskyddet har aktiverats. Låt tigersågen vila några sekunder eller svalna innan arbetet återupptas. Om problemet kvarstår, försäkra dig om att tigersågen inte överbelastas. Minska belastningen. Är arbetsuppgiften lämplig för tigersågens kapacitet?
Batteriet laddas inte.	<ul style="list-style-type: none"> Är laddaren ordentligt ansluten till vägguttaget? Finns det ström i vägguttaget? Är batteriet helt och ordentligt anslutet till laddaren? Är batteriet defekt eller för varmt/kallt? Se avsnittet <i>Laddning-Felindikering vid laddning ovan</i>.

Avfallshantering

Denna symbol innebär att produkten inte får kastas tillsammans med annat hushållsavfall. Detta gäller inom hela EU. För att förebygga eventuell skada på miljö och hälsa, orsakad av felaktig avfallshantering, ska produkten lämnas till återvinning så att materialet kan tas omhand på ett ansvarsfullt sätt. När du lämnar produkten till återvinning, använd dig av de returhanteringssystem som finns där du befinner dig eller kontakta inköpsstället. De kan se till att produkten tas om hand på ett för miljön tillfredställande sätt.



Specifikationer

Varvtal	0–2900 v/min
Slaglängd	22 mm
Sågkapacitet	Trä 177 mm, rör 76 mm, stål 12 mm
Ställbar pendelrörelse	4 steg
Belysning	LED
Ljud	LpA: 72,2 dB(A) (onoggrannhet KpA: 3 dB(A)) LwA: 83,2 dB(A) (onoggrannhet KwA: 3 dB(A))
Använd hörselskydd när ljudet överstiger	80 dB(A)
Vibrationsvärde trä	a_h 4,19 m/s ² , K: 1,5 m/s ²
Vibrationsvärde metall	a_h 8,80 m/s ² , K: 1,5 m/s ²
Vikt	2,5 kg (med 2,0 Ah-batteri)

Multisag

Art.nr. 41-1243 Modell CSR18H.2

Les brukerveiledningen grundig før produktet tas i bruk og ta vare på den for framtidig bruk. Vi reserverer oss mot ev. feil i tekst og bilde, samt forandringer av tekniske data. Ved tekniske problemer eller spørsmål, ta kontakt med vårt kundesenter. (Se opplysninger om kundesenteret i denne bruksanvisningen).

Sikkerhet

Generelle sikkerhetsinstruksjoner for ladbare håndverktøy

Advarsel! Les gjennom hele brukerveiledningen. Hvis ikke veiledningene følges kan dette føre til elektrisk støt, brann og/eller andre alvorlige skader. Med «elektrisk håndverktøy» i den følgende teksten menes verktøy som enten er koblet til strømmettet eller batteridrevne håndverktøy.

TA VARE PÅ DENNE VEILEDNINGEN.

1) Arbeidsplassen

- a) **Hold arbeidsplassen ren, ryddig og godt opplyst.** Rot og dårlig opplyst arbeidsplass kan forårsake ulykker.
- b) **Ikke bruk elektriske håndverktøy i eksplosjonsfarlige omgivelser, som for eksempel nær lettantennelige væsker, gasser eller støv.** Elektrisk håndverktøy kan danne gnister, som igjen kan antenne støv eller trespon.
- c) **Hold barn og andre på god avstand når håndverktøy er i bruk.** Forstyrrelser kan føre til at man mister kontrollen.

2) Sikkerhet ved bruk av elektrisk strøm

- a) **Støpselet til det elektriske verktøyet må passe i strømuttaket. Støpselet må ikke endres på. Bruk aldri adapter sammen med elektrisk håndverktøy som krever jording.** Ved bruk av originale støpsler reduseres faren for elektrisk støt.
- b) **Unngå kroppskontakt med jodede gjenstander, som rør, ovner, komfyrer, kjøleskap etc.** Kroppskontakt med disse øker faren for elektrisk støt.
- c) **Elektrisk håndverktøy bør ikke utsettes for regn eller fuktighet.** Hvis det kommer vann inn i et elektrisk håndverktøy, øker faren for elektrisk støt.
- d) **Påse at ikke strømledningen blir skadet. Bær aldri apparatet i strømledningen. Trekk heller ikke i strømledningen når støpselet skal tas ut av strømuttaket. Hold ledningen unna varme, olje, skarpe kanter og bevegelige deler.** Skadede eller deformerte ledninger kan øke faren for elektrisk støt.
- e) **Ved bruk av elektrisk håndverktøy utendørs, skal man benytte en skjøteledning som er beregnet til dette formålet.** Når skjøteledning som er beregnet for utendørs bruk benyttes, reduseres faren for elektrisk støt.

- f) **Dersom det elektriske håndverktøyet skal brukes i fuktige omgivelser, må verktøyet kobles til stømnettet via en jordfeilbryter.** Bruk av jordfeilbryter reduserer faren for elektrisk støt.

3) *Personlig sikkerhet*

- a) **Vær våken og bruk sunn fornuft når du bruker et elektrisk verktøy. Ikke bruk elektriske håndverktøy når du er trett eller påvirket av rusmidler, alkohol eller sterke medisiner.** Når du bruker elektrisk håndverktøy kan et lite øyeblikks uoppmerksomhet resultere i store personskader.
- b) **Bruk verneutstyr. Benytt alltid vernebriller.** Bruk av verneutstyr som støvmaske, sklisikre såler på skoene, hjelm og hørselsvern ved behov, reduserer faren for personskade.
- c) **Unngå uønsket oppstart. Påse at strømbryteren står i posisjon OFF før strømmen kobles til.** Det å bære et elektrisk håndverktøy med en finger på avtrekkeren/strømbryteren, eller å koble til strømmen mens strømbryteren står i posisjon ON, kan forårsake ulykker.
- d) **Fjern alle nøkler/serviceverktøy før det elektriske håndverktøyet startes.** Et gjenglemt serviceverktøy på en roterende del, kan forårsake personskader.
- e) **Strekk deg ikke for langt. Påse at du står stødig og har god balanse under hele arbeidsoperasjonen.** Da er du bedre forberedt når uventede situasjoner oppstår.
- f) **Bruk fornuftige arbeidsklær. Ikke bruk løstsittende klær og smykker. Hold klær, hansker og smykker unna bevegelige deler.** Løstsittende klær, smykker eller langt hår, kan feste seg i bevegelige deler.
- g) **Hvis det er mulig å koble til en støvsamler/støvsuger, bør dette gjøres.** Ved bruk av slike hjelpemidler, kan en redusere faren for støvrelaterte skader og ulykker.

4) *Bruk og vedlikehold av det elektriske håndverktøyet*

- a) **Ikke press et elektrisk håndverktøy. Bruk elektriske håndverktøy som er beregnet til den arbeidsoperasjonen du skal utføre.** Riktig hastighet på matingen er viktig for å utføre bedre og sikrere arbeid.
- b) **Ikke bruk det elektriske håndverktøyet dersom det er feil på strømbryteren og den ikke skrur verktøyet på/av med din kontroll.** Alle elektriske håndverktøy, som ikke kan kontrolleres med en strømbryter, er farlige og må repareres.
- c) **Trekk ut støpselet før justeringer utføres, ved skifte av tilbehør eller når verktøyet legges til oppbevaring.** Dette for å unngå at elektrisk håndverktøy får en ukontrollert start.
- d) **Oppbevar elektrisk håndverktøy utilgjengelig for barn. Påse også at elektrisk håndverktøy er utilgjengelig for personer som ikke har fått tilstrekkelig opplæring på eller er fortrolig med verktøyet.** Elektriske håndverktøy kan være farlige hvis de kommer uvedkommende i hende.
- e) **Hold det elektriske håndverktøyet ved like. Kontroller at verktøyet ikke er feilinnstilt, at bevegelige deler ikke beveger seg usymmetrisk, at ingen deler er skadet eller at det elektriske håndverktøyet har andre feil som kan påvirke dets funksjon. Dersom noe er skadet må dette repareres før verktøyet tas i bruk.** Mange ulykker skyldes dårlig eller manglende vedlikehold.

- f) **Hold verktøyene skarpe og rene. Påse også at det elektriske verktøyet holdes skarpt.** Godt vedlikeholdt skjæreverktøy, med skarpe egger, er lettere å kontrollere.
- g) **Følg instruksjonen, ta hensyn til arbeidsforholdene og hva slags type arbeid som skal utføres.** Bruk av elektrisk håndverktøy til andre arbeidsoperasjoner enn det som det er beregnet til, kan skape farlige situasjoner.

5) *Bruk og service av det ladbare håndverktøyet*

- a) **Påse at strømbryteren er skrudd av før du monterer batteriet.** Hvis batteriet monteres på et elektrisk håndverktøy med strømbryteren skrudd på, kan det føre til ulykker.
- b) **Lad batteriene kun med lader som er bestemt av produsenten.** En lader som er beregnet for en type batteri kan forårsake brann når den blir brukt til en annen type batterier.
- c) **Ladbare håndverktøy må kun brukes sammen med dertil egnede batterier.** Bruk av annet batteri kan forårsake skade og kan være en brannfare.
- d) **Når batteriet ikke er i bruk, må det oppbevares på god avstand fra metallgjenstander som; mynter, nøkler, spiker, skruer o.l. som kan lede strøm fra den ene batteripolen til den andre.** Kortslutting av batteripolene kan forårsake brann eller brannskader.
- e) **Hvis batteriet vannskjøttes kan syre lekke ut. Unngå kontakt med batterisyre. Hvis du ved et uhell skulle komme i kontakt med batterisyre må du straks skylle deg med vann. Dersom syren kommer i kontakt med øynene, må lege oppsøkes.** Syre fra batteriet kan forårsake irritasjon og brannskader.

6) *Service*

- a) **La profesjonelle fagfolk utføre service og reparasjoner. Benytt kun originale reservedeler.** Dette for å opprettholde sikkerheten ved bruk av det elektriske håndverktøyet.

Sikkerhetsanvisninger for multisager

Viktig! Ta alltid batteriet ut av maskinen før justering, service eller vedlikehold.

- a) Hold fingre og hender på god avstand fra sagbladet og alle andre bevegelige deler. Strekk deg ikke under emnet som sages. Bladet eller hånden kan være utenfor synsvinkel.
- b) Forviss deg om at det ikke er strømledning eller vannrør i tak/vegg der du skal sage. Ta ut alle sikringer og skru av alle strømbrytere som kan være i kontakt med eventuelle strømledningene. Hold kun i stikksagens plastdeler. Ikke berør multisagens metalldeler når den brukes på plasser hvor det kan være skjulte strømledninger.
- c) Bruk ikke sløve eller skadede sagblader. Bøyde sagblader kan lett brytes av eller forårsake kast.
- d) Start multisagen og la den gå opp til maksimalt turtall, før du begynner sagingen.
- e) Fest mindre arbeidsemner med tvinge eller liknende før arbeidet startes.
- f) Kontroller at innstillingene er riktige, og at bladet er godt festet, før du starter sagingen.

Spesielle sikkerhetsforskrifter for batterier/batteripakker

- a) **Batteriet må ikke forsøkes åpnet eller skades på annen måte.**
- b) **Kortslutt ikke batteriet. Batteriet må ikke oppbevares slik at det kan komme i kontakt med andre batterier eller andre strømførende gjenstander.**
Når batteriet ikke er i bruk skal det holdes unna alle gjenstander av metall som f.eks. binders, mynter, nøkler, spikre og skruer. Disse gjenstandene kan lage kontakt mellom batteriets poler og kortslutte det. Dette kan i sin tur føre til brann og brannskader.
- c) **Utsett ikke batterier for varme eller åpen flamme. Batteriet må ikke oppbevares i vedvarende sollys.**
- d) **Utsett aldri batteriet for slag eller støt.**
- e) **Hvis batteriet lekker må man sørge for at ikke væsken kommer i kontakt med hud eller øyne. Hvis dette skulle skje, må man skylle det utsatte området umiddelbart med rikelig med vann og kontakte lege.**
- f) **Hvis batteriet eller deler av det svelges må man umiddelbart kontakte lege.**
- g) **Hold batteriet tørt og rent.**
- h) **Batteriet rengjøres med en ren, tørr klut.**
- i) **Batteriet må lades før det tas i bruk. Følg alltid anvisningene i denne brukerveiledningen og bruk riktig lademetode.**
- j) **La ikke batteriet bli stående til lading i lengre tid hvis det ikke er i bruk.**
- k) **Hvis batteriet er blitt lagret over en lengre periode kan det hende at det må lades opp og lades ut igjen flere ganger før det oppnår full kapasitet.**
- l) **Batteriet yter best når det brukes ved romtemperatur (20 ± 5 °C).**
- m) **Når batteriet skal leveres til resirkulering skal batterier med forskjellige elektrokjemisk oppbygning holdes adskilt.**
- n) **Batteriet skal kun lades med den medfølgende laderen. Ikke bruk andre ladere til batteriet enn det som er spesialutformet og beregnet til akkurat dette.**
En lader som er beregnet til en viss type batterier kan, hvis det brukes til andre typer, føre til brann.
- o) **Ikke bruk batteri som er beregnet brukt til et annet verktøy enn det som er beskrevet her i denne brukerveiledningen.**
- p) **Hold batteriet utenfor barns rekkevidde.**
- q) **Ta godt vare på alle originaldokumenter som følger med verktøyet.**
- r) **Ta batteriene ut av verktøyet når det ikke er i bruk.**
- s) **Når produktet skal kasseres, må det skje i henhold til lokale forskrifter.**

Sikkerhetsinstruksjoner for batterier og ladere

- Batteriet må ikke åpnes.
- Oppbevar aldri batterier i direkte sollys eller ved temperaturer over 40 °C.
- Ladetemperatur for batterier bør ligge på mellom 5 til 40 °C.
- Batterier og lader må ikke utsettes for vann.

Vibrasjon

- Målingen av vibrasjonsnivået som er oppgitt i denne bruksanvisningen er utført i henhold til en standard målemetode etter EN60745 og kan benyttes ved sammenlikning av forskjellige elektriske håndverktøy.
- Målemetoden kan også benyttes til foreløpige målinger av vibrasjonsbelastningen.
- Vibrasjonsnivået som er oppgitt gjelder når det elektriske håndverktøyet brukes som beskrevet i bruksanvisningen. Hvis verktøyet skal brukes til andre formål og med annet tilbehør eller ikke er tilstrekkelig vedlikeholdt kan vibrasjonsnivået øke betraktelig.
- For å få en grundig vurdering av vibrasjonsbelastningen bør man også ta i betraktning den tiden håndverktøyet er frakoblet eller er i gang uten å bli brukt. Dette reduserer vibrasjonsbelastningen betydelig for den totale arbeidsperioden. Når man skal vurdere sikkerhetstiltak mot vibrasjonenes påvirkning på operatøren bør det tas hensyn til alle typer bruk av håndverktøyet.

Produktmerking med sikkerhetssymboler



Les hele bruksanvisningen!



Bruk alltid hørselsvern.
Benytt alltid vernebriller.
Benytt alltid åndedrettsvern.



max 50 °C



Hold batteriet på god avstand fra varme, som f.eks. vedvarende sollys, åpen flamme, vann og fuktighet. Fare for eksplosjon.

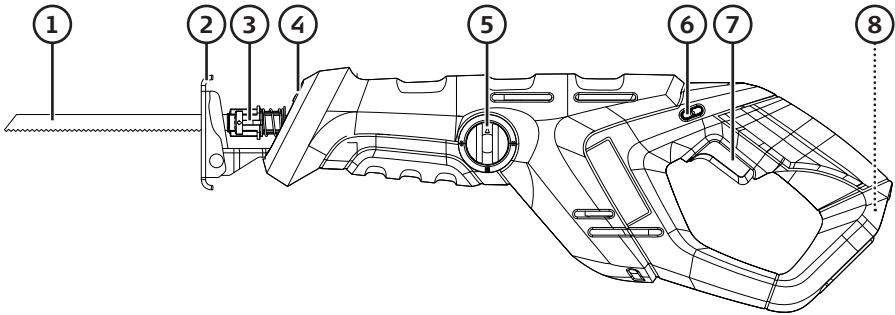


Kun til bruk innendørs.



Utsett ikke sagen for regn, vann eller annen væske.

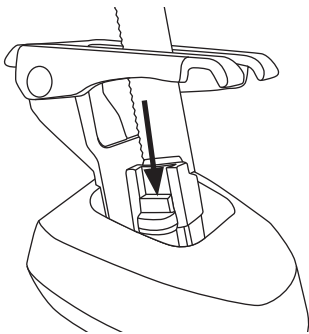
Produktbeskrivelse



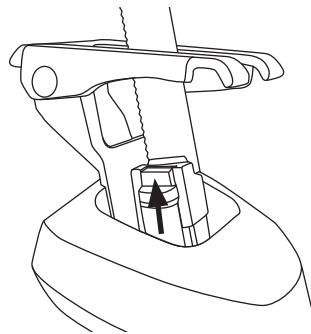
1. Sagblad
2. Fotplate
3. Hurtigfeste for sagblad
4. LED-belysning
5. Bryter til justering av pendelbevegelse
6. Lås til strømbryter
7. Strømbryter
8. Batteritilkobling

Montering/skifting av sagblad

Obs! Ta **alltid** batteriet ut av multisagen før montering/skifting av sagblad, og før justering, service eller vedlikehold av sagen.



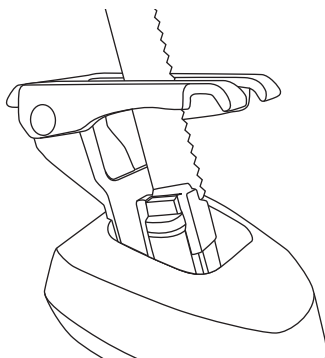
1. Trykk hurtigfestet ned, som vist på bildet, og skyv sagbladet helt inn i festet.



2. Slipp opp snepertfestet og kontroller at det fjærer helt tilbake.

3. For enkelte arbeidsoperasjoner kan sagbladet monteres med tennene vendt oppover.

Advarsel! Pass på at bryteren for justering av pendelbevegelser står i posisjon **0** hvis bladet monteres med tennene vendt oppover.



Innstilling av pendling

Med justerbar pendlende bevegelse kan sagingen tilpasses materialet. Vri bryteren (5) til ønsket posisjon.

- Posisjon 0: Metall, stål, hardplast eller gummi (ingen pendelbevegelse)
- Posisjon I: Metall (som ikke er jernholdige), hardt tre eller hard plast
- Posisjon II: Tre
- Posisjon III: Tre (størst pendelbevegelse som gir høyest avvirkning)

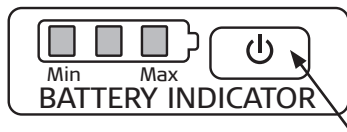
Batteri og lader

Obs! Batteri og lader selges separat.

Batteriindikatoren på batteriet

Obs! Indikatoren gir et ca. bilde av batteriets ladestatus. Prosenttallet nedenfor er å betrakte som veiledende opplysninger.

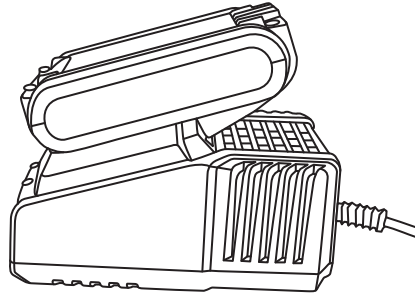
1. Trykk inn knappen til høyre for indikatoren for visning av batteristatus.
2. Når batteriet er 100 % fulladet lyser alle tre diodene. Ved ca. 90 % kapasitet igjen slukkes en av diodene og de to andre lyser. Når det er 25 % igjen slukker en diode til og det er kun en som lyser. Hvis ingen av diodene lyser er batteriet helt utladet og må lades.



Lading

Ladetemperatur 5–40 °C.

1. Støpselet kobles til et strømuttak. Den grønne lysdioden tennes.
2. Skyv batteriet inn i laderen. Den grønne lysdioden slukker og den røde lyser med et jevnt lys når lading pågår.
3. Når batteriet er fulladet lyser den grønne dioden.
4. Ta batteriet ut av laderen og trekk deretter strømkabelen ut av strømuttaket når batteriet er fulladet.



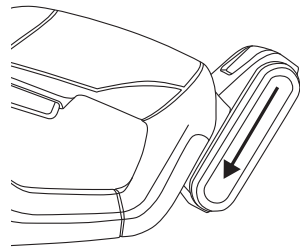
- Ladetiden er ca. 40 minutter.
- Batteriet kan bli varmt ved lading. Dette er helt normalt.
- Både lader og batteri fungerer best ved normal romtemperatur. Lad ikke i direkte sollys eller ved veldig lave temperaturer. Omgivelsestemperatur ved lading bør ligge på et sted mellom 5 og 40 °C.
- Når batteriet er utladet vil sagens elektronikk stoppe multisagen automatisk.
- Ved lengre oppbevaring (flere måneder) skal batteriet være ladet.

Feilindikering ved lading

- Den røde lysdioden blinker: defekt batteri, skift det.
- Den grønne lysdioden blinker: Batteriet er for varmt eller kaldt til å lades. La batteriet oppnå normal romtemperatur før det lades.

Sett inn/ta ut batteriene av sagen

1. Skyv låsen til strømbryteren (6) til venstre sånn at strømbryteren (7) er låst. Dette for å unngå at multisagen startes uønsket når du setter i nytt batteri.
2. Skyv batteriet helt inn i festet sitt.
3. Trykk ned batterilåsen (4) og ta batteriet ut av festet når det trenger å bli ladet.



Start og stopp

- **Start:** Skyv låsen (6) til høyre for å låse opp strømbryteren (7). Hastigheten reguleres ved at strømbryteren trykkes inn.
- **Stopp:** Slipp opp strømbryteren.

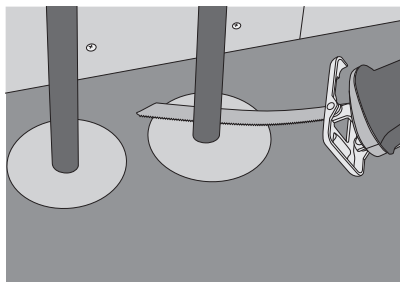
Bruk

- Kontroller at sagbladet er festet før sagen tas i bruk.
- Fest emnet som skal bearbejdes godt med tvinge eller liknende. Dette er spesielt viktig med mindre, lette arbeidsemner.
- Merk sagesnittet.
- Plasser fotplaten slik at den ligger mot arbeidsemnet.
- Hold sagen stødig og på god avstand. Pass på at ikke bladet ligger inn mot arbeidsemnet når sagen startes.
- Trykk inn strømbryteren for å starte sagen.
- Før sagbladet forsiktig inn mot arbeidsemnet. Maskinen må ikke overbelastes. La den jobbe i sin egen takt. Det er sagbladet som skal utføre jobben, så press ikke på.

Saging plant mot arbeidsflaten

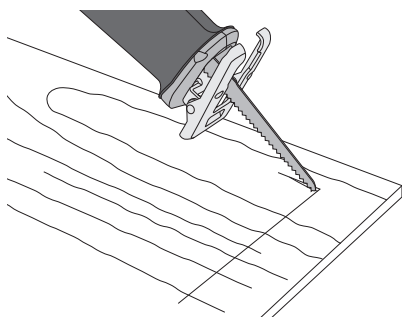
Tips! Ved bruk at et fleksibelt bimetallsagblad er det mulig å sage jevnt med en flate med bøydt blad, som for eksempel rør som stikker ut av en vegg.

1. Bladet legges an mot veggen og maskinen vinkles slik at sidekanten av fotplaten ligger an mot veggen.
2. Sag forsiktig med et mellomlegg av for eksempel hardplast, for å beskytte veggens overflate.



Saging av hjørner

1. Merk sagesnittet.
2. Plasser sagbladets spiss mot linjen som krysser sagesnittet.
3. Vinkle sagen til fotplaten berører arbeidsemnet og sagbladet går fritt.
4. Start sagen og la den komme opp i turtall.
5. Før sagen sakte opp slik at bladet møter den markerte sagelinjen.
6. Fortsett med å før sagen opp til den er vinkelrett mot arbeidsemnet og sag til neste hjørne.



Advarsel!

La ikke sagbladet komme i berøring av emnet før sagen har oppnådd maksimalt turtall.

Saging i metall

Bruk kun sagblad som er beregnet for saging i metall. Bruk skjæreolje* til avkjøling og smøring under sageprosessen. Maskinen må ikke overbelastes. La den jobbe i sin egen takt.

* Forskjellige materialer trenger forskjellige smøre-/kjølemidler.

Overbelastning og beskyttelse

Multisagen/batteriet er utstyrt med diverse beskyttelser og vern for å unngå skader.

- Ved kortvarig høy belastning kan overbelastningsvernet skru av maskinen/batteriet. Beskyttelsen stilles tilbake av seg selv. Slipp opp strømbryteren og vent i noen sekunder. Pass på at multisagen ikke er belastet, og start den på nytt. Den skal nå virke normalt igjen.
- Ved høy belastning over lengre tid kan et overopphetingsvern skru av maskinen/batteriet. Beskyttelsen stilles seg tilbake selv etter at temperaturen har sunket til et sikkert nivå. La maskinen avkjøles før den tas i bruk igjen. Unngå å utsette multisagen for direkte sollys over lengre tid. Dette kan føre til at overopphetingsvernet aktiveres.
- Batteriet har et underspenningsvern som slår inn når batteriet er utladet. Underspenningsvernet skrur av maskinen automatisk og batteriet må lades.

Stell og vedlikehold

- Hold alltid motorens ventilåpningen rene.
- Rengjør produktet med en lett fuktet klut. Bruk et mildt rengjøringsmiddel, aldri løsningsmidler eller etsende kjemikalier.
- Hvis multisagen ikke skal brukes på en stund skal batteriet være fulladet når maskinen stues vekk.
- Når multisagen ikke er i bruk skal den lagres tørt og utilgjengelig for barn.

Feilsøking

Multisagen starter ikke.	<ul style="list-style-type: none"> • Batteriet er utladet. Lad batteriet. • Overbelastnings- eller overopphetingsvernet er aktivert. La multisagen hvile i noen sekunder eller avkjøles før arbeidene gjenopptas. • Defekt strømbryter. Kontakt kundeservicen.
Multisagen stenges eller går sakte.	<ul style="list-style-type: none"> • Batteriet er utladet. Lad batteriet. • Overbelastnings- eller overopphetingsvernet er aktivert. La multisagen hvile i noen sekunder eller avkjøles før arbeidene gjenopptas. • Hvis problemet ikke løses med dette, sjekk om multisagen er overbelastet. Reduser belastningen. • Er arbeidsoppgavene passende for multisagens kapasitet?
Batteriet lades ikke.	<ul style="list-style-type: none"> • Er laderen koblet riktig til strømuttaket? • Er det strøm i strømuttaket? • Er batteriet helt og riktig koblet plassert i laderen? • Er batteriet defekt eller for varmt/kaldt? Se avsnittet <i>Lading-Feilindikering ved lading</i>, ovenfor.

Avfallshåndtering

Symbolet viser til at produktet ikke skal kastes sammen med husholdningsavfallet. Dette gjelder i hele EØS-området. For å forebygge eventuelle skader på helse og miljø som følge av feil håndtering av avfall, skal produktet leveres til gjenvinning, slik at materialet blir tatt hånd om på en ansvarsfull måte. Benytt miljøstasjonene som er der du befinner deg eller ta kontakt med forhandler. De vil ta hånd om produktet på en miljømessig tilfredsstillende måte.



Spesifikasjoner

Turtall	0–2900 o/min.
Slaglengde	22 mm
Sagekapasitet	Tre 76 mm, rør 76 mm, stål 12 mm
Justerbar pendelbevegelse	4 trinn
Belysning	LED
Lydtrykk	LpA: 72,2 dB(A), (Unøyaktighet KpA: 3 dB(A)) LwA: 83,2 dB(A), (Unøyaktighet KwA: 3 dB(A))
Bruk hørselvern når lyden oversiger	80 dB(A)
Vibrasjonsverdi tre	a_h 4,19 m/s ² , K: 1,5 m/s ²
Vibrasjonsverdi metall	a_h 8,80 m/s ² , K: 1,5 m/s ²
Vekt	2,5 kg (med 2,0 Ah-batteri)

Puukkosaha

Tuotenro 41-1243 Malli CSR18H.2

Lue käyttöohje ennen tuotteen käyttöönottoa ja säilytä se tulevaa tarvetta varten. Pidätämme oikeuden teknisten tietojen muutoksiin. Emme vastaa mahdollisista teksti- tai kuvavirheistä. Jos tuotteeseen tulee teknisiä ongelmia, ota yhteys myymälään tai asiakaspalveluun (yhteystiedot käyttöohjeen lopussa).

Turvallisuus

Ladattavien käsityökalujen yleisiä turvallisuusohjeita

Varoitus! Lue kaikki ohjeet. Seuraavien ohjeiden noudattamatta jättäminen saattaa johtaa sähköiskuun, tulipaloon ja/tai vakavaan onnettomuuteen. Varoitustekstien termi ”sähkökäyttöinen käsityökalu” tarkoittaa verkkovirralla tai akulla toimivaa käsityökaluasi.

SÄÄSTÄ NÄMÄ OHJEET!

1) Työtilat

- a) **Pidä työtilat puhtaina ja hyvin valaistuin.** Täynnä tavaraa olevat ja pimeät tilat lisäävät onnettomuusriskiä.
- b) **Älä käytä sähkökäyttöisiä käsityökaluja räjähdysriskissä ympäristössä, kuten helposti syttyvien nesteiden, kaasujen tai pölyn lähellä.** Sähkökäyttöiset käsityökalut muodostavat kipinöitä, jotka saattavat sytyttää pölyn tai höyryt.
- c) **Pidä lapset ja vierailijat loitolla, kun käytät sähkökäyttöisiä käsityökaluja.** Häiriötekijät saattavat johtaa laitteen hallinnan menettämiseen.

2) Sähköturvallisuus

- a) **Sähkökäyttöisen käsityökalun pistokkeen tulee sopia pistorasiaan. Älä muuta pistoketta millään tavalla. Älä käytä adapteria maadoitettujen sähkökäyttöisten sähkötyökalujen kanssa.** Muuttamattomat pistokkeet ja sopivat pistorasiat vähentävät sähköiskun riskiä.
- b) **Vältä koskettamasta maadoitettuja esineitä, kuten putkia, lämpöpattereita, hellaa tai jääkaappia.** Sähköiskun riski kasvaa, mikäli kehosi on maadoitettu.
- c) **Älä altista sähkökäyttöistä käsityökalua sateelle äläkä käytä sitä kosteissa olosuhteissa.** Veden joutuminen sähkökäyttöiseen käsityökaluun lisää sähköiskun vaaraa.
- d) **Käsittele sähköjohtoa varoen! Älä käytä sähköjohtoa laitteen kantamiseen äläkä irrota pistoketta pistorasiasta johdosta vetämällä. Älä altista virtajohtoa kuumuudelle, öljyille, teräville reunoille tai liikkuville osille.** Vioittuneet tai sotkeutuneet virtajohdot lisäävät sähköiskun vaaraa.
- e) **Kun käytät sähkökäyttöistä käsityökalua ulkona, käytä ainoastaan ulkokäyttöön sopivia jatkojohtoja.** Ulkokäyttöön sopivan jatkojohdon käyttäminen pienentää sähköiskun vaaraa.

- f) **Jos sähkökäyttöistä käsityökalua käytetään kosteassa ympäristössä, se tulee liittää sähköverkkoon vikavirtasuojakytkimen kautta.** Vikavirtasuojakytkimen käyttö vähentää sähköiskun vaaraa.

3) *Oma turvallisuutesi*

- a) **Ole tarkkaavainen ja käytä tervettä järkeä, kun työskentelet sähkökäyttöisellä käsityökalulla. Älä käytä sähkökäyttöistä käsityökalua, mikäli olet väsynyt tai huumeiden, lääkkeiden tai alkoholin vaikutuksen alainen.** Lyhyenkin hetken kestävä tarkkaavaisuuden herpaantuminen saattaa johtaa vakavaan loukkaantumiseen.
- b) **Käytä suojavarusteita. Käytä aina suojalaseja.** Suojavarusteiden, kuten hengityssuojaimen, liiкуestekenkien, kypärän ja kuulosuojaimien, käyttäminen vähentää loukkaantumisvaaraa.
- c) **Vältä tahatonta käynnistystä. Varmista, että virtakytkin on asennossa OFF ennen kuin liität pistokkeen seinäpistorasiaan.** On äärimmäisen vaarallista kantaa sähkökäyttöistä käsityökalua sormi liipaisimella tai liittää sähkökäyttöinen käsityökalu pistorasiaan virtakytkimen ollessa ON-asennossa.
- d) **Poista kaikki huoltotyökalut/avaimet, ennen kuin käynnistät sähkökäyttöisen käsityökalun.** Sähkökäyttöisen käsityökalun liikkuvan osan päälle unohdettu työkalu saattaa johtaa onnettomuuteen.
- e) **Älä kurota liian pitkälle. Varmista, että työasentosi on tasapainoinen työn jokaisessa vaiheessa.** Näin olet paremmin varustautunut mahdollisen onnettomuuden sattuessa.
- f) **Käytä tarkoituksenmukaisia vaatteita. Älä käytä löysiä vaatteita tai koruja. Pidä hiukset, vaatteet ja käsineet loitolla liikkuvista osista.** Löysät vaatteet, korut tai pitkät hiukset saattavat juuttua liikkuviin osiin.
- g) **Jos käytössäsi on pölynpoistojärjestelmä, käytä sitä.** Näiden apuvälineiden käyttö saattaa vähentää pölyyn liittyviä vaaroja.

4) *Sähkökäyttöisten käsityökalujen käyttäminen ja huoltaminen*

- a) **Älä pakota sähkökäyttöistä käsityökalua. Käytä sähkökäyttöistä käsityökalua, joka soveltuu suunnittelemaasi työtehtävään.** Sopiva sähkökäyttöinen käsityökalu tekee työn paremmin ja turvallisemmin oikealla nopeudella.
- b) **Älä käytä sähkökäyttöistä käsityökalua, mikäli virtakytkin ei käynnistä ja sammuta laitetta.** Kaikki sähkökäyttöiset käsityökalut, joita ei voida hallita virtakytkimellä, ovat vaarallisia ja ne tulee korjata.
- c) **Irrota pistoke pistorasiasta ennen kuin teet sähkökäyttöiseen käsityökaluun säätöjä tai ennen kuin vaihdat sen varusteita tai ennen kuin asetat sen säilytykseen.** Nämä ennaltaehkäisevät toimenpiteet vähentävät sähkökäyttöisen käsityökalun tahatonta käynnistymistä.
- d) **Säilytä sähkökäyttöisiä käsityökaluja lasten ulottumattomissa. Älä luovuta sähkökäyttöistä käsityökalua henkilöille, jotka eivät tunne sitä tai sen käyttöohjetta.** Sähkökäyttöiset käsityökalut ovat vaarallisia tottumattoman käyttäjän käsissä.

- e) **Huolla sähkökäyttöisiä käsityökaluja. Tarkasta, että säädöt ovat kunnossa, että liikkuvat osat liikkuvat esteettä, että osat ovat ehjiä ja että sähkökäyttöisessä käsityökalussa ei ole muita seikkoja, jotka vaikuttavat laitteen toimintaan. Jos jokin osa on vioittunut, se tulee korjata ennen käyttöä.** Monet onnettomuudet johtuvat väärin hoidetuista sähkökäyttöisistä käsityökaluista.
- f) **Pidä työkalut puhtaina ja terävinä.** Terätyökalun hallinta on helpompaa, kun se on oikein hoidettu ja sen terät ovat teräviä.
- g) **Käytä sähkökäyttöistä käsityökalua, sen varusteita tms. ohjeiden mukaisesti ja sellaisella tavalla, joka sopii kyseiselle sähkökäyttöiselle käsityökalulle ja ota myös huomioon työskentelyolosuhteet ja suoritettava työ.** Sähkökäyttöisen käsityökalun käyttäminen muihin kuin sille tarkoitettuihin työtehtäviin saattaa johtaa vaaratilanteeseen.

5) Ladattavien käsityökalujen käyttäminen ja huoltaminen

- a) **Varmista, että laite on sammutettu virtakytkimestä, ennen kuin asennat akun.** Jos asennat akun käsityökaluun, jonka virtakytkin on päällä, onnettomuusriski on ilmeinen.
- b) **Lataa akku ainoastaan valmistajan hyväksymällä laturilla.** Tietyn tyyppiselle akulle sopiva laturi saattaa aiheuttaa tulipalon, jos sitä käytetään vääräntyyppisen akun lataukseen.
- c) **Käytä akkukäyttöisessä käsityökalussa vain siihen soveltuvia akkuja.** Vääräntyyppisten akkujen käyttäminen saattaa johtaa onnettomuuteen tai tulipaloon.
- d) **Kun akkua ei käytetä, sitä tulee säilyttää poissa metalliesineiden ulottuvilta (esim. paperiliittimet, kolikot, avaimet, naulat tai muut metalliesineet), jotka saattavat muodostaa kontaktin akun napojen väliille.** Akun napojen oikosulku saattaa aiheuttaa palovammoja tai tulipalon.
- e) **Vahingoittuneesta akusta saattaa vuotaa akkuhappoa. Vältä kontaktia hapon kanssa. Jos kuitenkin joudut kosketuksiin hapon kanssa, huuhtele kohta vedellä. Mikäli happoa joutuu silmiin, hakeudu lääkäriin.** Akun happo saattaa aiheuttaa ärsytystä ja palovammoja.

6) Huolto

- a) **Laitteen saa huoltaa ja korjata ainoastaan ammattihenkilö ja huollossa tulee käyttää ainoastaan alkuperäisosa.** Näin taataan sähkökäyttöisen käsityökalun turvallisuus.

Turvallisuusohjeet – puukkosaha

Tärkeää! Irrota akku laitteesta aina ennen säätöä ja huoltoa.

- a) Pidä kädet ja sormet kaukana sahanterästä ja muista liikkuvista osista. Älä kurota sahattavan materiaalin alle. Terä tai käsi voi olla näkymättömissä.
- b) Varmista, että poraus-/ruuvauskohdassa ei ole sähkö- tai vesijohtoja. Poista kaikki sulakkeet ja sammuta kaikki virtakytkimet, jotka saattavat olla yhteydessä sähköjohtoihin. Pidä kiinni ainoastaan sahan muoviosista. Älä kosketa sahan metalliosia, kun sahaat kohteita, joissa voi olla piilossa olevia sähköjohtoja.

- c) Älä käytä tylsiä tai viallisia sahanteriä. Taittuneet terät voivat katketa helposti tai aiheuttaa takapotkun.
- d) Käynnistä saha ja odota, kunnes se saavuttaa täydet kierrosluvut.
- e) Kiinnitä pienet työkappaleet esim. ruuvipuristimella ennen sahaamisen aloittamista.
- f) Tarkasta, että säädöt ja teränkiinnitys ovat kunnossa ennen kuin aloitat sahauksen.

Akkuja koskevia turvallisuusohjeita

- a) **Älä yritä avata, purkaa, muuttaa tai vahingoittaa akkua.**
- b) **Älä oikosulje akkua. Älä säilytä akkua paikassa, jossa se voi joutua kosketuksiin muiden akkujen tai jännitteisten esineiden kanssa.** Kun akkua ei käytetä, huolehdi siitä, että se ei joudu kosketuksiin metalliesineiden, kuten paperiliitinten, kolikoiden, avainten, naulojen ja ruuvien kanssa. Nämä esineet saattavat muodostaa kontaktin akun napojen välillä, mikä voi aiheuttaa oikosulun, joka voi johtaa palovammoihin tai tulipaloon.
- c) **Älä altista akkua kuumuudelle tai avotulelle. Älä säilytä akkua auringonvalossa.**
- d) **Älä altista akkua kolhuille tai iskuille.**
- e) **Jos akku vuotaa, huolehdi, että neste ei joudu kosketuksiin ihon tai silmien kanssa. Jos näin käy, huuhtele nesteelle altistunut alue runsaalla vedellä ja hakeudu lääkäriin.**
- f) **Jos akku tai sen osia on nieltä, hakeudu välittömästi lääkäriin.**
- g) **Pidä akku puhtaana ja kuivana.**
- h) **Puhdista akku kuivalla ja puhtaalla liinalla.**
- i) **Akku tulee ladata ennen käyttöä. Noudata aina tämän käyttöohjeen latausohjeita.**
- j) **Älä jätä akkua liian pitkäksi aikaa lataukseen.**
- k) **Jos akku on ollut pitkään käyttämättä, se saavuttaa täyden kapasiteetin vasta kun se on ladattu ja tyhjennetty useita kertoja.**
- l) **Akun kapasiteetti on paras, kun sitä käytetään huoneenlämmössä (20 ± 5 °C).**
- m) **Kun viet akun kierrätykseen, pidä se erillään erityyppisistä akuista.**
- n) **Lataa akkua vain mukana tulevalla laturilla. Käytän akun lataukseen vain sille soveltuvaa laturia.** Vääräntyyppisen laturin käyttäminen saattaa johtaa tulipaloon.
- o) **Älä käytä akkua, joka on tarkoitettu muille, kuin tässä käyttöohjeessa mainituille työkaluille.**
- p) **Pidä akku poissa lasten ulottuvilta.**
- q) **Säästä kaikki työkalujen mukana tulevat ohjeet ja asiakirjat.**
- r) **Poista akku työkalusta, kun et käytä sitä.**
- s) **Kierrätä tuote asianmukaisesti, kun poistat sen käytöstä.**

Akkua ja laturia koskevia turvallisuusohjeita

- **Älä yritä avata akkua.**
- **Älä koskaan säilytä akkua suorassa auringonvalossa tai yli 40 °C:n lämpötiloissa.**
- **Akun latauksen sallittu lämpötila-alue on 5...40 °C.**
- **Älä altista akkua tai sen laturia vedelle.**

Tärinä

- Käyttöohjeessa ilmoitetun tärinäarvon mittaaminen on suoritettu EN 60745 -standardisoidulla mittaustavalla, ja se soveltuu sähkökäyttöisten käsityökalujen vertailuun.
- Mittaustapa soveltuu myös tärinäkuormituksen alustavaan arviointiin.
- Ilmoitettu tärinäarvo toteutuu, kun sähkökäyttöistä käsityökalua käytetään käyttöohjeessa kuvatulla tavalla. Jos sähkökäyttöistä käsityökalua käytetään muihin tarkoituksiin ja muilla tarvikkeilla, tai jos sitä ei ole huollettu kunnolla, käytön aikainen tärinäarvo saattaa kasvaa huomattavasti.
- Tarkan tärinäkuormituksen arvioimiseksi pitää huomioida ajat, jolloin sähkökäyttöinen käsityökalu ei ole kytkettynä, tai kun se on käynnissä ilman, että sitä käytetään. Tämä vähentää huomattavasti koko työskentelyjakson tärinäkuormitusta. Päätä turvallisuustoimenpiteet suojataksesi käyttäjää tärinän vaikutukselta kaikissa käyttötarkoituksissa.

Tuotteen merkinnät ja turvallisuussymbolit



Lue koko käyttöohje!



Käytä aina kuulosuojaimia.
Käytä aina suojalaseja.
Käytä aina hengityssuojainta.



max 50 °C



Pidä akku loitolla kuumista paikoista, kuten auringonvalosta ja tulesta sekä vedestä ja kosteudesta. Räjähdysvaara.

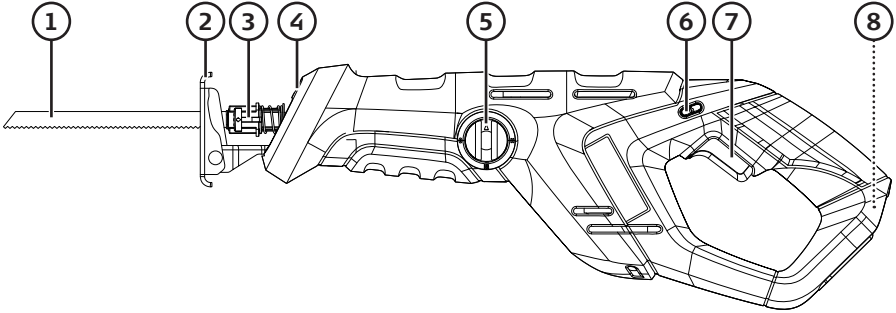


Vain sisäkäyttöön.



Älä altista laitetta sateelle, vedelle tai muulle nesteelle.

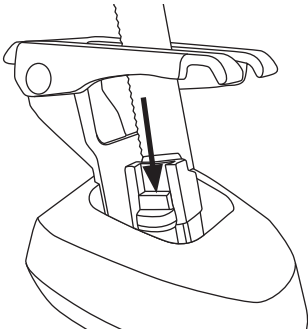
Tuotteen kuvaus



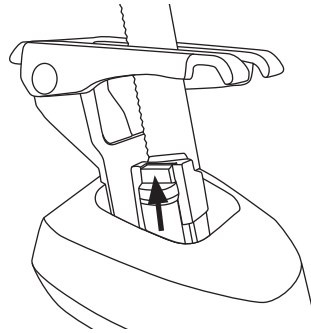
1. Sahanterä
2. Jalkalevy
3. Sahanterän pikakiinnitys
4. LED-valo
5. Heiluriliikkeen valitsin
6. Virtakytkimen lukitsin
7. Virtakytkin
8. Akkuliitântä

Sahanterän asennus ja vaihtaminen

Huom.! Irrota akku laitteesta aina ennen laitteen säätöä ja huoltoa ja sahanterän asennusta/vaihtoa.

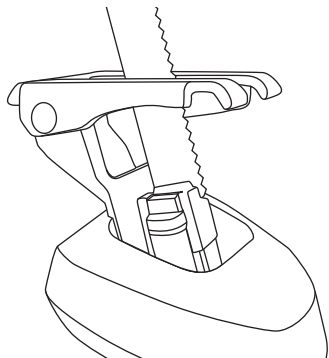


1. Paina pikakiinnike kuvan osoittamalla tavalla ja työnnä sahanterä kokonaan kiinnikkeeseen.



2. Päästä pikakiinnike ja varmista, että se on palautunut täysin.

3. Jotkin työt saattavat vaatia, että sahanterä asennetaan niin, että sen hampaat osoittavat ylöspäin. **Varoitus!** Varmista, että heiluriliikkeen valitsin on asennossa **0**, jos sahanterä on asennettu hampaat ylöspäin.



Heiluriliikkeen säätäminen

Heiluriliikettä voidaan säätää sahattavan materiaalin mukaan. Kierrä valitsin (5) sopivaan asentoon.

- Kohta 0: Pelti, teräs, kova muovi tai kumi (ei heiluriliikettä)
- Kohta I: Rautaa sisältämättömät metallit, kova puu tai kova muovi
- Kohta II: Puu
- Kohta III: Puu (isoin heiluriliike takaa tehokkaimman sahauksen)

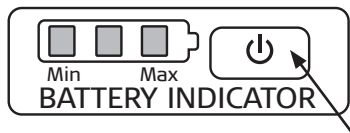
Akku ja laturi

Huom.! Akku ja laturi myydään erikseen.

Akun varaustason ilmaisim

Huom.! Ilmaisim kertoo akun suuntaa antavan lataustilan, alla olevat prosenttiluvut ovat viitteellisiä lukuja.

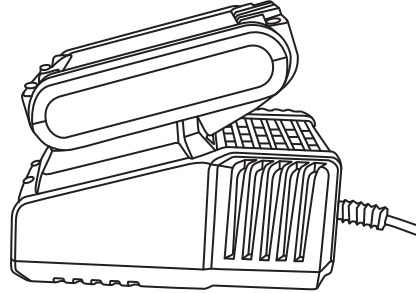
1. Katso akun varaustaso painamalla ilmaisimen oikealla puolella olevaa painiketta.
2. Akun latauksen ollessa 100 % kaikki kolme merkkivaloa palavat. Akun varauksen ollessa noin 90 % kaksi merkkivaloa palaa. Akun varauksen ollessa noin 25 % yksi merkkivalo palaa. Kun akku on täysin tyhjä, yksikään merkkivalo ei pala, ja akku tulee ladata.



Lataaminen

Latauslämpötila 5–40 °C.

1. Liitä laturin pistoke verkkopistorasiaan. Vihreä merkkivalo syttyy.
2. Aseta akku laturiin. Vihreä merkkivalo sammuu ja punainen merkkivalo palaa latauksen aikana.
3. Kun akku on täynnä, vihreä merkkivalo palaa vilkkumatta.
4. Irrota akku laturista ja laturin virtajohdon pistoke pistorasiasta, kun akku on täynnä.



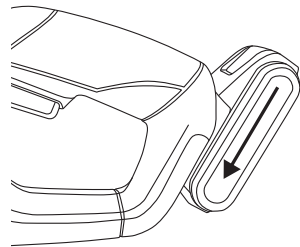
- Latausaika on noin 40 minuuttia.
- Akku voi kuumentua hieman latauksen aikana. Tämä on täysin normaalia.
- Laturi ja akku toimivat parhaiten normaalissa huonelämpötilassa. Älä lataa akkua suorassa auringonvalossa tai alhaisessa lämpötilassa. Akun latauslämpötila on 5–40 °C.
- Kun akku on tyhjä, akun elektroniikka sammuttaa puukkosahan automaattisesti.
- Lataa akku, jos puukkosaha on pitkään (kuukausia) käyttämättä.

Latausvirheen merkkivalot

- Punainen merkkivalo vilkkuu: viallinen akku, vaihda akku.
- Vihreä merkkivalo vilkkuu: Akku on liian kuuma tai kylmä latausta varten. Odota, kunnes akku on saavuttanut huonelämpötilan.

Akun asettaminen/poistaminen

1. Työnnä virtakytkimen lukitsinta (6) vasemmalle, jotta virtakytkin (7) lukittuu. Näin estetään, että puukkosaha ei käynnisty vahingossa, kun akku laitetaan paikalleen.
2. Paina akku kokonaan kiinnikkeeseen.
3. Paina akun lukitus (4) alas ja vedä akku pois kiinnikkeestä, kun se tulee ladata.



Käynnistys ja sammutus

- **Käynnistys:** Poista virtakytkimen (7) lukitus työntämällä lukitsinta (6) oikealle. Nopeutta säädetään virtakytkintä painamalla.
- **Sammutus:** Päästä virtakytkin.

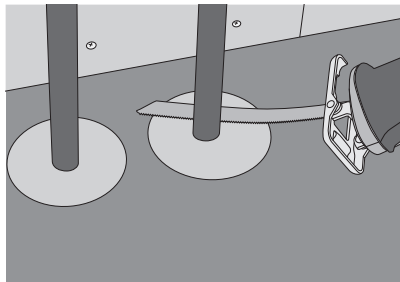
Käyttö

- Tarkasta ennen sahaamista, että sahanterä on kunnolla kiinni.
- Kiinnitä sahattava materiaali tarvittaessa puristimilla tai vastaavilla, jotta sahanterä liikkuisi materiaalin sijasta (koskee erityisesti pieniä ja kevyitä kappaleita).
- Merkitse sahauslinja.
- Säädä jalkalevy niin, että se nojaa työkappaletta vasten.
- Pidä sahasta kunnolla kiinni sopivalla etäisyydellä työkappaleesta. Varmista, että terä ei kosketa työkappaleeseen käynnistysvaiheessa.
- Paina virtakytkintä käynnistääksesi sahan.
- Vie sahanterä varoen työkappaleeseen. Älä yliuormita sahaa, anna sen sahata omaan tahtiin. Sahanterä tekee työn, ei liioiteltu painaminen.

Sahaaminen työstettävän pinnan mukaisesti

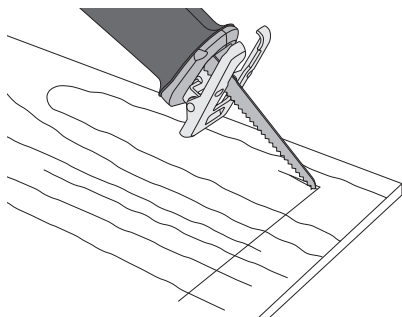
Vinkki! Joustavan bimetallisahanterän avulla voidaan sahata työkappaleen pinnan suuntaisesti terää taivuttamalla. Työtapa sopii esim. seinästä ulos tulevan putken sahaamiseen.

1. Paina sahanterä tasaisesti seinää vasten ja käännä konetta niin, että kiinnityslaipan sivureuna nojaa seinää vasten.
2. Sahaa varovasti välikappaleen, esim. ohuen kovamuovin avulla, niin, ettei pinta vahingoitu.



Kulmien sahaaminen

1. Merkitse sahauslinja.
2. Aseta sahanterän kärki kohti linjaa, joka risteää sahauslinjan kanssa.
3. Taivuta sahaa kunnes jalkalevy koskettaa työkappaletta ja sahanterä liikkuu vapaasti.
4. Käynnistä ja odota, kunnes saha saavuttaa täydet kierrosluvut.
5. Taita sahaa varovasti niin, että terä osuu merkittyyn sahauslinjaan.
6. Jatka sahan taittamista kunnes se on suorassa kulmassa työkappaleeseen nähden. Saha seuraavaan kulmaan.



Varoitus!

Älä anna sahanterän koskettaa työkappaletta ennen kuin saha on saavuttanut täydet kierrokset, tai seurauksena saattaa olla vakava onnettomuus.

Metallin sahaaminen

Käytä ainoastaan metallille soveltuvia sahanteriä. Käytä jäähdytykseen ja voiteluun leikkausöljyä*. Älä ylikuormita sahaa, anna sen sahata omaan tahtiin.

* Eri materiaalit vaativat eri voitelu-/jäähdytysaineita.

Ylikuormitus ja suojaus

Puukkosahassa ja akussa on useita suoja, jotka lisäävät turvallisuutta.

- Ylikuormitussuoja sammuttaa koneen/akun lyhytaikaisen ylikuormituksen sattuessa. Suoja palautuu automaattisesti. Päästä virtakytkin ja odota muutaman sekunnin ajan. Varmista, että konetta ei ole kuormitettu, ja käynnistä se uudelleen. Koneen pitäisi nyt toimia normaalisti.
- Ylikuumenemissuoja voi sammuttaa koneen/akun pitkäaikaisen ylikuormituksen vuoksi. Ylikuumenemissuoja palautuu automaattisesti, mutta koneen voi käynnistää vasta, kun sen lämpötila on laskenut riittävästi. Anna puukkosahan jäähtyä ennen työn jatkamista. Vältä puukkosahan altistamista auringonvalolle pitkäksi ajaksi. Se voi johtaa ylikuumenemissuojan laukeamiseen.
- Akussa on alijännitesuojaus, mikä sammuttaa koneen, jos akku tyhjenee. Alijännitesuoja sammuttaa koneen automaattisesti, jonka jälkeen akku pitää ladata.

Huolto ja ylläpito

- Varmista, että moottorin ilma-aukkoihin ei kerry likaa tms.
- Puhdista saha kevyesti kostutetulla liinalla. Käytä mietoa pesuainetta. Älä käytä liuotusaineita tai syövyttäviä kemikaaleja.
- Jos sahaa ei käytetä pitkään aikaan, lataa akku täyteen ennen kuin asetat sahan säilytykseen.
- Säilytä sahaa kuivassa paikassa lasten ulottumattomissa.

Vianhakutaulukko

Puukkosaha ei käynnisty.	<ul style="list-style-type: none">• Akku on tyhjä. Lataa akku.• Ylikuormitus- tai ylikuumenemissuoja on lauennut. Anna puukkosahan jäähtyä hetken ennen kuin jatkat työskentelyä.• Virtakytkin on viallinen. Ota yhteys asiakaspalveluun.
Puukkosaha sammuu tai se käy liian hitaasti.	<ul style="list-style-type: none">• Akku on tyhjä. Lataa akku.• Ylikuormitus- tai ylikuumenemissuoja on lauennut. Anna puukkosahan jäähtyä hetken ennen kuin jatkat työskentelyä.• Jos ongelma jatkuu, varmista että puukkosahaa ei ylikuormiteta. Vähennä kuormitusta.• Onko työtehtävä sopiva puukkosahan kapasiteetille?
Akku ei lataudu.	<ul style="list-style-type: none">• Varmista, että laturi on liitetty kunnolla pistorasiaan.• Varmista, että pistorasiassa on virtaa.• Varmista, että akku on ehjä ja että se on liitetty kunnolla laturiin.• Varmista, että akku on ehjä ja että se ei ole liian kuuma/kylmä. Katso kappale <i>Latausvirheen merkkivalot</i>.

Kierrättäminen

Tämä kuvake tarkoittaa, että tuotetta ei saa hävittää kotitalousjätteen seassa. Tämä koskee koko EU-aluetta. Virheellisestä hävittämisestä johtuvien mahdollisten ympäristö- ja terveyshaittojen ehkäisemiseksi tuote tulee viedä kierrätettäväksi, jotta materiaali voidaan käsitellä vastuullisella tavalla. Kierrätä tuote käyttämällä paikallisia kierrätysjärjestelmiä tai ota yhteys ostopaikkaan. Ostopaikassa tuote kierrätetään vastuullisella tavalla.



Tekniset tiedot

Kierrosluku	0–2900 kierr./min
Iskun pituus	22 mm
Sahauskapasiteetti	Puu 177 mm, putket 76 mm, teräs 12 mm
Säädettävä heiluriliike	4-portainen
Valaisin	LED
Melutaso	LpA: 72,2 dB(A) (epätarkkuus KpA: 3 dB(A)) LwA: 83,2 dB(A) (epätarkkuus KwA: 3 dB(A))
Käytä kuulosuojainta melutason ylittäessä	80 dB(A)
Tärinäarvo puu	a_h 4,19 m/s ² , K: 1,5 m/s ²
Tärinäarvo metalli	a_h 8,80 m/s ² , K: 1,5 m/s ²
Paino	2,5 kg (2,0 Ah:n akun kanssa)

Säbelsäge

Art.Nr. 41-1243 Modell CSR18H.2

Vor Inbetriebnahme die komplette Bedienungsanleitung durchlesen und aufbewahren. Irrtümer, Abweichungen und Änderungen behalten wir uns vor. Bei technischen Problemen oder anderen Fragen freut sich unser Kundenservice über eine Kontaktaufnahme (Kontakt siehe Rückseite).

Sicherheit

Allgemeine Sicherheitshinweise für Akkuwerkzeuge

Warnung: Sämtliche Anweisungen lesen. Fehler bei der Einhaltung der nachstehenden Anweisungen können zu Stromschlägen, Brand und/oder schweren Verletzungen führen. Der Begriff „Elektrowerkzeuge“ in den nachfolgenden Warnhinweisen bezieht sich auf netz- oder akkubetriebene Handwerkzeuge.

DIESE ANLEITUNG AUFBEWAHREN.

1) Arbeitsumfeld

- a) **Das Arbeitsumfeld muss sauber und gut beleuchtet sein.** Unordnung und unbeleuchtete Arbeitsbereiche führen leicht zu Unfällen.
- b) **Elektrowerkzeuge niemals in explosionsgefährdeter Umgebung einsetzen, wie zum Beispiel in der Nähe leicht entzündlicher Flüssigkeiten, Gase oder Stäube.** Elektrowerkzeuge erzeugen Funken, die Staub oder Dämpfe entzünden können.
- c) **Kinder und andere Personen während des Gebrauchs von Elektrowerkzeugen fernhalten.** Ablenkung kann zum Kontrollverlust führen.

2) Elektrische Sicherheit

- a) **Der Anschlussstecker des Elektrowerkzeugs muss in die Steckdose passen. Den Stecker niemals in irgendeiner Weise verändern. Niemals einen Adapterstecker gemeinsam mit einem geerdeten Elektrowerkzeug einsetzen.** Unveränderte Stecker und passende Steckdosen verringern das Risiko für Stromschläge.
- b) **Körperkontakt mit geerdeten Gegenständen wie Rohren, Heizungen, Herd oder Kühlschrank vermeiden.** Wenn der Körper geerdet ist, erhöht sich das Risiko für Stromschläge.
- c) **Das Elektrowerkzeug niemals Regen oder Nässe aussetzen.** Das Eindringen von Wasser in ein Elektrowerkzeug erhöht das Risiko für Stromschläge.
- d) **Niemals das Netzkabel zweckentfremden, um das Gerät zu tragen, zu ziehen oder um den Stecker aus der Steckdose zu ziehen. Das Kabel von Hitze, Öl, scharfen Kanten und sich bewegenden Geräteteilen fernhalten.** Beschädigte oder verwickelte Kabel erhöhen das Risiko für Stromschläge.

- e) **Beim Einsatz eines Elektrowerkzeugs im Außenbereich ein geeignetes Verlängerungskabel einsetzen.** Der Einsatz eines Verlängerungskabels für den Außenbereich verringert das Risiko für Stromschläge.
- f) **Falls der Einsatz eines Elektrowerkzeugs in feuchter Umgebung notwendig sein sollte, das Werkzeug über einen Fehlerstromschutzschalter ans Stromnetz anschließen.** Der Einsatz eines Fehlerstromschutzschalters mindert das Risiko für Stromschläge.

3) *Persönliche Sicherheit*

- a) **Während der Tätigkeit aufmerksam sein und beim Einsatz eines Elektrowerkzeugs Vernunft walten lassen. Bei Müdigkeit oder unter dem Einfluss von Drogen, Alkohol oder Medikamenten kein Elektrowerkzeug bedienen.** Ein Moment der Unachtsamkeit beim Einsatz eines Elektrowerkzeugs kann zu ernststen Verletzungen führen.
- b) **Persönliche Schutzausrüstung tragen. Immer einen Augenschutz tragen.** Das Tragen von Schutzausrüstung wie Atemschutz, trittsicheren Sicherheitsschuhen, Helm und Gehörschutz je nach Art und Einsatz des Elektrowerkzeugs verringert das Risiko von Verletzungen.
- c) **Unbeabsichtigtes Einschalten vermeiden. Der Hauptschalter muss in OFF-Stellung sein, bevor der Stecker in die Steckdose gesteckt wird.** Beim Tragen eines Elektrowerkzeugs einen Finger am Schalter zu halten oder das Gerät eingeschaltet ans Stromnetz anzuschließen, kann zu Unfällen führen.
- d) **Alle Einstellwerkzeuge vor dem Einschalten des Elektrowerkzeugs entfernen.** Ein vergessenes Einstellwerkzeug an einem sich drehenden Geräteteil kann zu Verletzungen führen.
- e) **Nicht zu weit nach vorne strecken. Jederzeit auf einen sicheren Stand und Gleichgewicht achten.** Das ermöglicht in unerwarteten Situationen eine bessere Kontrolle.
- f) **Geeignete Kleidung tragen. Keine weit sitzende Kleidung oder Schmuck tragen. Haare, Kleidung und Handschuhe von sich bewegenden Teilen fernhalten.** Weite Kleidung, Schmuck oder lange Haare können von sich bewegenden Teilen erfasst werden.
- g) **Wenn Staubabsaug- und -auffangvorrichtungen montiert werden können, sicherstellen, dass diese angeschlossen sind und angewendet werden.** Der Einsatz dieser Hilfsmittel verringert Gefährdungen durch Staub.

4) *Bedienung und Wartung von Elektrowerkzeugen*

- a) **Das Gerät nicht überbeanspruchen. Nur das Elektrowerkzeug nutzen, das für die jeweilige Tätigkeit vorgesehen ist.** Mit dem passenden Elektrowerkzeug arbeitet es sich besser und sicherer im angegebenen Leistungsbereich.
- b) **Das Elektrowerkzeug nicht einsetzen, wenn dessen Ein-/Ausschalter defekt ist.** Ein Elektrowerkzeug, das sich nicht mehr ein- oder ausschalten lässt, ist gefährlich und muss repariert werden.

- c) **Vor der Ausführung von Einstellarbeiten, dem Tausch von Zubehörteilen oder dem Ablegen des Elektrowerkzeugs zur Verwahrung den Stecker aus der Steckdose ziehen.** Diese Vorkehrungen verringern das Risiko eines unbeabsichtigten Starts des Gerätes.
- d) **Ein unbenutztes Elektrowerkzeug außerhalb der Reichweite von Kindern aufbewahren. Das Gerät nicht von Personen nutzen lassen, die mit dessen Umgang nicht vertraut sind oder dessen Bedienungsanleitung nicht gelesen haben.** Elektrowerkzeuge sind gefährlich, wenn sie in die Hände von unerfahrenen Personen gelangen.
- e) **Elektrowerkzeuge warten. Kontrollieren, ob bewegliche Geräteteile einwandfrei funktionieren und nicht klemmen, Teile kaputt sind oder etwas anderes eingetroffen ist, wodurch die Funktion des Elektrowerkzeugs beeinträchtigt ist. Sollte etwas beschädigt sein, muss es vor der Benutzung repariert werden.** Viele Unfälle beruhen auf schlecht gewarteten Elektrowerkzeugen.
- f) **Die Schneidwerkzeuge scharf und sauber halten.** Sorgfältig gewartete Schneidwerkzeuge mit scharfen Schneiden laufen leichter und sind einfacher zu führen.
- g) **Das Elektrowerkzeug, Zubehör und Einsatzwerkzeuge usw. entsprechend diesen Anweisungen einsetzen und zwar so, wie es für diesen speziellen Gerätetyp vorgeschrieben ist. Dabei die Arbeitsbedingungen und die auszuführende Tätigkeit berücksichtigen.** Der Gebrauch von Elektrowerkzeugen für andere als die vorgesehenen Anwendungen kann zu gefährlichen Situationen führen.

5) Bedienung und Service des wiederaufladbaren Elektrowerkzeugs

- a) **Vor Einsetzen des Akkus sicherstellen, dass das Gerät abgeschaltet ist.** Das Einsetzen eines Akkus in ein eingeschaltetes Elektrowerkzeug kann leicht zu Unfällen führen.
- b) **Den Akku nur mit einem vom Hersteller bestimmten Ladegerät laden.** Ein Ladegerät, das für einen Akkutyp passt, kann eine Brandgefahr ausmachen, wenn es für einen anderen Akkutyp verwendet wird.
- c) **Akkuwerkzeuge nur mit den dafür vorgesehenen Akkus verwenden.** Die Verwendung eines anderen Akkus kann Schäden und Feuergefahr verursachen.
- d) **Wenn der Akku nicht angewendet wird, bei der Aufbewahrung auf ausreichenden Abstand zu Gegenständen wie Klammern, Münzen, Schlüsseln, Nägeln, Schrauben oder anderen kleinen metallischen Gegenständen achten, die einen Kontakt zwischen den Akkupolen herstellen könnten.** Ein Kurzschluss der Akkupole kann Verätzungen oder Brände verursachen.
- e) **Bei unsachgemäßer Behandlung des Akkus kann Säure austreten. Kontakt mit Säure vermeiden. Bei versehentlichem Kontakt mit Säure mit Wasser abspülen. Wenn Säure in die Augen gerät, ist ein Arzt aufzusuchen.** Säure aus Akkus kann zu Reizungen und Verätzungen führen.

6) Service

- a) **Reparaturen nur von qualifizierten Servicetechnikern und mit Originalzubehör durchführen lassen.** Dies bewahrt die Sicherheit von Elektrowerkzeugen.

Sicherheitshinweise – Säbelsäge

Wichtig! Vor Einstell-, Service- oder Wartungsarbeiten immer den Akku aus dem Gerät nehmen.

- a) Hände und Finger vom Sägeblatt und anderen beweglichen Teilen fernhalten. Niemals unter dem Werkstück aufhalten. Das Sägeblatt oder die Hand können sich außer Sichtweite befinden.
- b) Sicherstellen, dass sich keine Wasser- oder Stromleitungen in Wand oder Decke befinden, wo gesägt wird. Sämtliche Sicherungen herausnehmen und alle Schalter ausschalten, die mit den Stromleitungen in Verbindung stehen könnten. Nur die Kunststoffteile der Säbelsäge anfassen. Kein Metallteil anfassen, wenn die Säge an einer Stelle verwendet wird, wo möglicherweise verdeckte Stromleitungen vorhanden sind.
- c) Keine stumpfen oder beschädigten Sägeblätter verwenden. Verbogene Sägeblätter können leicht gebrochen werden oder einen Rückschlag verursachen.
- d) Vor Beginn des Sägens den Motor starten und diesen mit voller Drehzahl laufen lassen.
- e) Vor Beginn des Sägens kleine Werkstücke mit Zwingen, Schraubstock usw. fixieren.
- f) Vor Beginn des Sägens sicherstellen, dass alle Einstellungen korrekt sind und dass das Sägeblatt fest in der Halterung sitzt.

Besondere Sicherheitshinweise für Akkus/Akkupacks

- a) **Niemals den Akku öffnen oder auf irgendeine Weise beschädigen bzw. auf ihn einwirken.**
- b) **Den Akku nicht kurzschließen. Akkus stets so aufbewahren, dass sie nicht in Kontakt miteinander oder mit anderen stromführenden Gegenständen kommen können.** Den Akku bei Nichtbenutzung von Metallgegenständen, wie Klammern, Münzen, Schlüsseln, Nägeln und Schrauben fernhalten. Diese Gegenstände können Kontakt zwischen den Akkupolen herstellen und diese so kurzschließen, was zu Verbrennungen und Feuer führen kann.
- c) **Den Akku nicht Hitze oder offenem Feuer aussetzen. Den Akku nicht direkter Sonneneinstrahlung aussetzen.**
- d) **Den Akku nicht Stößen und Schlägen aussetzen.**
- e) **Falls der Akku ausläuft, die Flüssigkeit nicht in Kontakt mit Haut oder Augen kommen lassen. Wenn dies trotzdem passiert, die betroffenen Flächen sofort ordentlich mit Wasser abspülen und einen Arzt aufsuchen.**
- f) **Falls Teile des Akkus verschluckt werden, sofort einen Arzt aufsuchen.**
- g) **Den Akku sauber und trocken halten.**
- h) **Den Akku mit einem sauberen, trockenen Tuch abwischen.**
- i) **Der Akku muss vor der Benutzung aufgeladen sein. Stets die Anweisungen in dieser Bedienungsanleitung befolgen und die richtige Lademethode benutzen.**

- j) **Den Akku bei längerer Nichtbenutzung nicht im angeschlossenen Ladegerät aufbewahren.**
- k) **Nach längerer Nichtbenutzung kann es notwendig sein, den Akku einige Male zu laden und zu entladen, um die volle Kapazität zu erreichen.**
- l) **Der Akku hat die beste Kapazität, wenn er bei Zimmertemperatur benutzt wird ($20 \pm 5 \text{ }^\circ\text{C}$).**
- m) **Bei der Abgabe des Akku an die Wertstoffsammlung Akkus mit unterschiedlichen chemischen Zusammensetzungen getrennt von einander halten.**
- n) **Den Akku nur mit dem mitgelieferten Ladegerät laden. Kein anderes Ladegerät als das, welches speziell für diesen Akku vorgesehen ist, benutzen.** Ein Akku-Ladegerät für einen bestimmten Akkutyp kann mit einem anderen Akkutyp für Brandgefahr sorgen.
- o) **Den Akku nur mit einem in dieser Bedienungsanleitung beschriebenem Werkzeug benutzen.**
- p) **Den Akku außer Reichweite von Kindern halten.**
- q) **Alle mitgelieferten Originaldokumente für künftigen Gebrauch aufbewahren.**
- r) **Bei Nichtbenutzung den Akku aus dem Werkzeug nehmen.**
- s) **Bitte das Produkt entsprechend den lokalen Bestimmungen entsorgen.**

Sicherheitshinweise für Akkus und Ladegeräte

- Nie versuchen, den Akku zu öffnen.
- Den Akku nie in direktem Sonnenlicht oder bei Temperaturen über $40 \text{ }^\circ\text{C}$ aufbewahren.
- Den Akku ausschließlich bei Temperaturen zwischen $5\text{--}40 \text{ }^\circ\text{C}$ laden.
- Den Akku niemals Wasser aussetzen.

Vibrationen

- Die Messung des in dieser Bedienungsanleitung angegebenen Schwingungsemissionswert ist mit der standardisierten Messmethode gemäß EN 60745 durchgeführt worden und kann zum Vergleich versch. Elektrowerkzeuge herangezogen werden.
- Die Messmethode ist für eine vorläufige Beurteilung der Schwingungsbelastung geeignet.
- Der angegebene Schwingungsemissionswert gilt, wenn das Elektrowerkzeug auf die in der Bedienungsanleitung beschriebenen Weise genutzt wird. Wird das Elektrowerkzeug dagegen zweckentfremdet, mit anderem Zubehör genutzt oder nicht ordentlich gewartet, kann der Schwingungsemissionswert während der Betriebsdauer erheblich steigen.
- Für eine exakte Beurteilung der Schwingungsbelastung sollte auch die Zeit beachtet werden, während der das Elektrowerkzeug vom Stromnetz getrennt ist oder eingeschaltet ist, ohne benutzt zu werden. Dies reduziert die Schwingungsbelastung während der Betriebsdauer deutlich. Sicherheitsmaßnahmen festlegen, um den Anwender vor den Wirkungen der Schwingung während jeglicher Benutzung zu schützen.

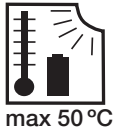
Produktkennzeichnung mit Sicherheitssymbolen



Die Bedienungsanleitung vollständig durchlesen.



Immer Gehörschutz tragen.
Immer Augenschutz tragen.
Immer Atemschutz tragen.



max 50 °C



Den Akku vor Hitze (z. B. direkte Sonneneinstrahlung, offene Flammen), Wasser und Feuchtigkeit schützen.
Explosionsgefahr.

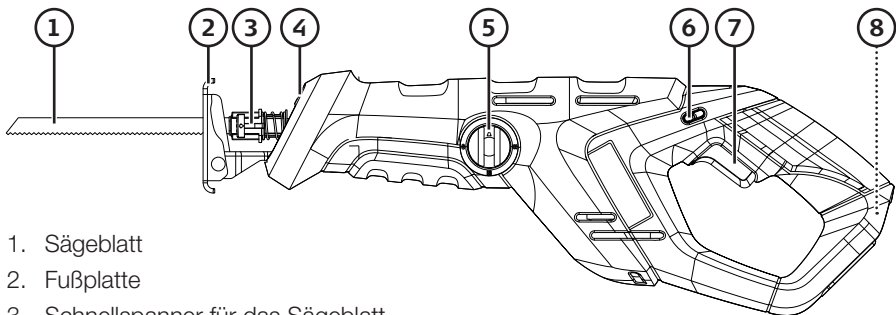


Nur zu Benutzung im Innenbereich geeignet.



Das Gerät vor Regen, Wasser oder andere Flüssigkeiten schützen.

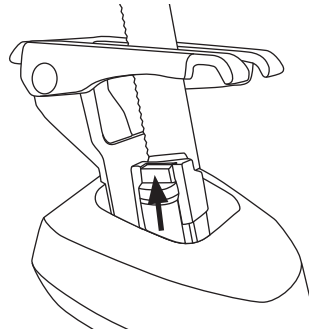
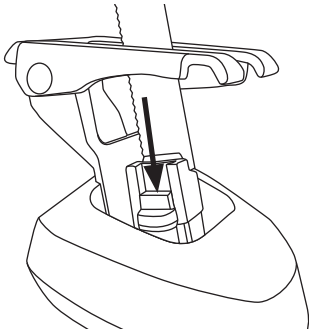
Produktbeschreibung



1. Sägeblatt
2. Fußplatte
3. Schnellspanner für das Sägeblatt
4. LED-Beleuchtung
5. Drehknopf zur Einstellung der Pendelbewegung
6. Sperrhebel für den Stromschalter
7. Stromschalter
8. Batterieanschluss

Einbau/Wechsel des Sägeblatts

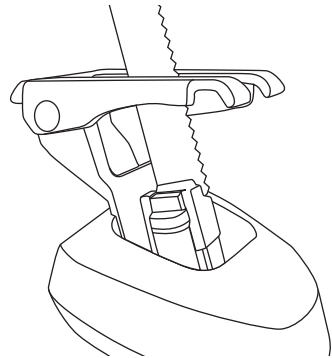
Hinweis: Vor Einbau/Wechsel des Sägeblatts, Einstell-, Service- oder Wartungsarbeiten immer den Akku aus dem Gerät nehmen.



1. Die Schnellhalterung wie auf dem Bild angezeigt nach unten drücken und das Sägeblatt komplett in die Aufnahme schieben.
2. Die Schnellhalterung loslassen und sicherstellen, dass sie komplett zurückgefedert ist.

3. Bei manchen Arbeitsmomenten kann das Sägeblatt mit den Zähnen nach oben eingebaut werden.

Warnung! Sicherstellen, dass die Pendlungssteuerung auf Position **0** steht, wenn das Sägeblatt mit den Zähnen nach oben montiert wird.



Einstellung des Pendelhubes

Über die verstellbare Pendelbewegung kann der Sägevorgang an das jeweilige Material angepasst werden. Den Drehknopf (5) auf die gewünschte Position drehen.

- Position 0: Blech, Stahl, harter Kunststoff oder Gummi (keine Pendelbewegung)
- Position I: Nicht eisenhaltiges Metall, Hartholz, harter Kunststoff
- Position II: Holz
- Position III: Holz (größte Pendelbewegung und höchster Materialabtrag)

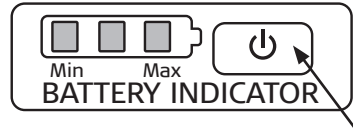
Akku und Ladegerät

Hinweis: Akku und Ladegerät separat erhältlich.

Ladestandsanzeige am Akku

Hinweis: Die Ladestandsanzeige bieten eine grobe Darstellung des Akkustands, wobei die Prozentzahlen als ungefähre Daten zu sehen sind.

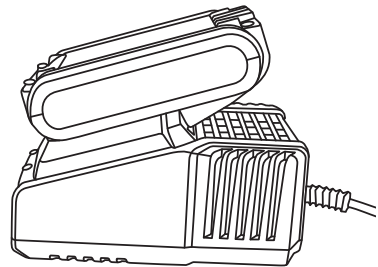
1. Die Taste rechts von der Ladestandsanzeige drücken, um den Ladestatus anzuzeigen.
2. Bei vollständig geladenem Akku (100 %) leuchten alle drei LEDs. Bei einem Ladestatus von ca. 80 % leuchten zwei LEDs. Bei einem Ladestatus von ca. 25 % leuchtet nur eine LED. Leuchtet keine LED ist der Akku leer und muss geladen werden.



Ladevorgang

Lade-Temperaturbereich 5–40 °C.

1. Das Ladegerät an eine Steckdose anschließen. Die grüne Leuchtdiode leuchtet auf.
2. Den Akku in das Ladegerät stecken. Die grüne LED erlischt und die rote LED leuchtet während des Ladevorgangs ununterbrochen.
3. Ist der Akku vollständig geladen, leuchtet die grüne LED.
4. Wenn der Akku vollständig geladen ist, das Ladegerät vom Akku-Schrauber und dann von der Steckdose trennen.



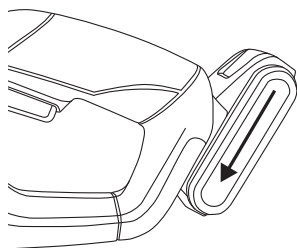
- Ladedauer ca. 40 min.
- Der Akku kann beim Laden etwas warm werden. Dies ist vollkommen normal.
- Ladegerät und Akku funktionieren am besten bei normaler Zimmertemperatur. Nicht in direktem Sonnenlicht oder bei kälteren Temperaturen laden. Temperaturbereich zum Laden: 5 bis 40 °C.
- Ist der Akku entladen, schaltet die Elektronik im Akku die Maschine automatisch ab.
- Bei längerer Verwahrung (über Monate) muss der Akku geladen sein.

Fehleranzeige beim Laden

- Die rote LED blinkt: Akku defekt, Akku austauschen.
- Die grüne Leuchtdiode blinkt: Der Akku ist zu warm oder zu kalt zum Aufladen. Den Akku auf Zimmertemperatur abkühlen/aufwärmen lassen, bevor er geladen wird.

Den Akku aus dem Gerät nehmen

1. Den Sperrhebel für den Stromschalter (6) nach links schieben, sodass der Schalter (7) verriegelt ist. So wird verhindert, dass das Gerät beim Auswechseln des Akkus unabsichtlich eingeschaltet wird.
2. Den Akku in seine Halterung schieben.
3. Wenn der Akku geladen werden muss, die Sperre (4) herunterdrücken und den Akku aus der Halterung nehmen.



Start und Stopp

- **Start:** Den Sperrhebel (6) nach rechts schieben, um den Stromschalter (7) zu entriegeln. Die Geschwindigkeit wird geregelt, indem der Stromschalter unterschiedlich tief heruntergedrückt wird.
- **Stopp:** Den Ein-/Ausschalter loslassen.

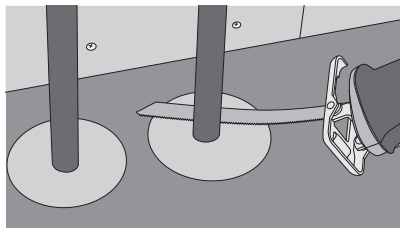
Bedienung

- Vor Beginn der Arbeit das Sägeblatt auf festen Sitz überprüfen.
- Bei Bedarf das zu sägende Werkstück mit Zwingen usw. fixieren, damit sich das Sägeblatt bewegt und nicht das Werkstück (gilt besonders für kleinere, leichte Werkstücke).
- Den Sägeschnitt markieren.
- Die Fußplatte am Werkstück anliegend platzieren.
- Die Säge stabil in passendem Arbeitsabstand halten und sicherstellen, dass das Sägeblatt beim Start nicht am Werkstück anliegt.
- Zum Start der Säge den Ein-/Ausschalter eindrücken.
- Das Sägeblatt vorsichtig an das Werkstück heranzuführen. Die Säge nicht überbelasten und in ihrem eigenen Takt arbeiten lassen. Die Arbeit soll durch das Sägeblatt und nicht durch hartes Aufdrücken erfolgen.

Sägen parallel zur Arbeitsfläche

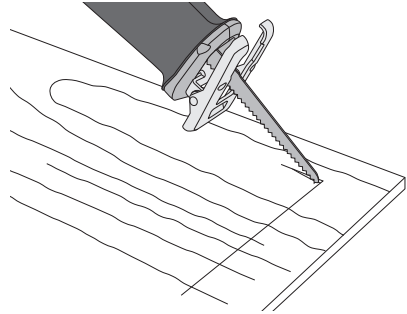
Tip: Bei Verwendung eines flexiblen Bimetall-Sägeblattes kann parallel zur Fläche mit gebogenem Blatt gesägt werden, so können z. B. aus der Wand herausragende Rohre direkt abgesägt werden.

1. Das Sägeblatt parallel zur Wand anlegen und die Maschine so anwinkeln, dass die Seitenkante der Fußplatte an der Wand anliegt.
2. Zur Vermeidung von Schäden an der Fläche ein dünnes Plättchen aus z. B. harten Kunststoff zwischen Blatt und Oberfläche legen und vorsichtig sägen.



Sägen von Ecken

1. Den Sägeschnitt markieren.
2. Die Spitze des Sägeblattes an der Linie platzieren, die den Sägeschnitt kreuzt.
3. Die Säge anwinkeln, bis die Fußplatte das Werkstück berührt und das Sägeblatt frei geht.
4. Die Säge starten und den Motor hochfahren lassen.
5. Die Säge langsam nach oben heben, sodass das Blatt auf die markierte Schnittlinie trifft.
6. Weiter nach oben anwinkeln, bis die Säge rechtwinklig zum Werkstück liegt und dann zur nächsten Ecke sägen.



Warnung:

Zur Vermeidung ernsthafter Schäden darf das Sägeblatt nicht das Werkstück berühren, ehe die Säge nicht die eingestellte maximale Drehzahl erreicht hat.

Sägen in Metall

Ein scharfes, für Metall bestimmtes Sägeblatt verwenden. Während des Sägens von Metall Schneidöl* zum Kühlen und Schmieren verwenden. Die Säge nicht überbelasten und in ihrem eigenen Takt arbeiten lassen.

* Unterschiedliche Materialien erfordern unterschiedliche Schmier-/Kühlmittel.

Überlastung und Schutz

Das Gerät und der Akku sind mit einer Reihe von Schutzvorrichtungen ausgerüstet.

- Bei kurzzeitiger Überbelastung kann der Überlastungsschutz das Gerät bzw. den Akku abschalten. Der Überlastungsschutz ist selbstrückstellend. Den Stromschalter loslassen und ein paar Sekunden warten, sodass das Gerät belastungsfrei ist. Dann erneut starten. Das Gerät sollte nun wieder normal funktionieren.
- Bei längerer Überbelastung kann der Überhitzungsschutz das Gerät bzw. den Akku abschalten. Der Überhitzungsschutz ist selbstrückstellend, aber das Gerät kann erst wieder gestartet werden, wenn es abgekühlt ist. Die Maschine vor erneuter Benutzung abkühlen lassen. Das Gerät nicht für längere Zeit direkter Sonneneinstrahlung aussetzen. Dies kann den Überhitzungsschutz auslösen lassen.
- Der Akku verfügt über einen Unterspannungsschutz, der auslöst, wenn der Akku entladen ist. Der Unterspannungsschutz schaltet dann automatisch das Gerät ab und der Akku muss geladen werden.

Pflege und Wartung

- Die Belüftungsöffnungen des Motors immer frei von Verschmutzungen halten.
- Das Gerät mit einem leicht befeuchteten Tuch reinigen. Ein sanftes Reinigungsmittel verwenden, keine scharfen Chemikalien oder Reinigungslösungen.
- Bei längerer Nichtbenutzung das Gerät mit vollständig geladenem Akku aufbewahren.
- Das Gerät bei längerer Nichtbenutzung trocken und außer Reichweite von Kindern aufbewahren.

Fehlersuche

Das Gerät startet nicht.	<ul style="list-style-type: none"> • Der Akku ist leer. Den Akku aufladen. • Der Überlastungs- oder Überhitzungsschutz ist ausgelöst worden. Das Gerät vor erneuter Benutzung ein paar Sekunden lang ruhren oder abkühlen lassen. • Ein-/Ausschalter defekt. Den Kundenservice kontaktieren.
Das Gerät schaltet aus oder läuft nur langsam.	<ul style="list-style-type: none"> • Der Akku ist leer. Den Akku aufladen. • Der Überlastungs- oder Überhitzungsschutz ist ausgelöst worden. Das Gerät vor erneuter Benutzung ein paar Sekunden lang ruhren oder abkühlen lassen. • Wenn das Problem bestehen bleibt, sicherstellen, dass das Gerät nicht überbeansprucht wird. Die Belastung verringern. • Sicherstellen, dass die Arbeitsaufgabe für das Gerät geeignet ist.
Der Akku wird nicht geladen.	<ul style="list-style-type: none"> • Sicherstellen, dass das Ladegerät korrekt an die Steckdose angeschlossen ist. • Sicherstellen, dass Spannung auf der Steckdose liegt. • Sicherstellen, dass das der Akku unbeschädigt ist und korrekt an das Ladegerät angeschlossen ist. • Sicherstellen, dass der Akku nicht defekt oder zu warm/kalt ist. Siehe Abschnitt <i>Fehleranzeige beim Laden</i> weiter oben.

Hinweise zur Entsorgung

Dieses Symbol zeigt an, dass das Produkt nicht gemeinsam mit dem Haushaltsabfall entsorgt werden darf. Dies gilt in der gesamten EU. Um möglichen Schäden für die Umwelt und Gesundheit vorzubeugen, die durch fehlerhafte Abfallentsorgung verursacht werden, dieses Produkt zum verantwortlichen Recycling geben, um die nachhaltige Wiederverwertung von stofflichen Ressourcen zu fördern. Bei der Abgabe des Produktes bitte die vorhandenen Recycling- und Sammelstationen benutzen oder den Händler kontaktieren. Dieser kann das Produkt auf eine umweltfreundliche Weise recyceln.



Technische Daten

Drehzahl	0–2900/min
Sägeblatt-Hub	22 mm
Schnitttiefe	In Holz 177 mm, Rohren 76 mm, Stahl 12 mm
Verstellbare Pendelbewegung	4 Stufen
Beleuchtung	LED
Schallpegel	LpA: 72,2 dB(A) (Unsicherheit KpA: 3 dB(A)) LwA: 83,2 dB(A) (Unsicherheit KwA: 3 dB(A))
Gehörschutz tragen, wenn der Geräuschpegel folgenden Wert übersteigt	80 dB(A)
Schwingungsemissionswert Holz	a_h 4,19 m/s ² , K: 1,5 m/s ²
Schwingungsemissionswert Metall	a_h 8,80 m/s ² , K: 1,5 m/s ²
Gewicht	2,5 kg (inkl. 2,0-Ah-Akku)

Declaration of Conformity

Försäkran om överensstämmelse

Samsvarerklæring

Vakuutus yhdenmukaisuudesta

Konformitätserklärung



CLAS OHLSON AB

SE-793 85 INSJÖN, SWEDEN

Declares that this product complies with the requirements of the following directives and standards

Intygar att denna produkt överensstämmer med kraven i följande direktiv och standarder

Bekrefter at dette produktet er i samsvar med følgende direktiver og standarder

Vakuuttaa, että tämä tuote täyttää seuraavien direktiivien ja standardien vaatimukset

Erklärt hiermit, dass dieses Produkt die Anforderungen und Bestimmungen folgender Richtlinien erfüllt

18V RECIPROCATING SAW

Cocraft 41-1243

CSR18H.2

**Machinery directive
2006/42/EC**

EN 60745-1: 2009
+A11: 2010
EN 60745-2-11: 2010

**EMC directive
2014/30/EU**

EN 55014-1: 2006/
A1: 2009/A2: 2011
EN 55014-2: 1997/
A1: 2001/A2: 2008

**Low Voltage Directive
2014/35/EU**

Henrik Alfredsson
Manager Technique & Quality

Insjön, Sweden, 2016-12-20

Sverige

Kundtjänst tel: 0247/445 00
 fax: 0247/445 09
 e-post: kundservice@clasohlson.se

Internet www.clasohlson.se

Post Clas Ohlson AB, 793 85 INSJÖN

Norge

Kundesenter tlf.: 23 21 40 00
 faks: 23 21 40 80
 e-post: kundesenter@clasohlson.no

Internett www.clasohlson.no

Post Clas Ohlson AS, Postboks 485 Sentrum,
0105 OSLO

Suomi

Asiakaspalvelu puh.: 020 111 2222
 sähköposti: asiakaspalvelu@clasohlson.fi

Internet www.clasohlson.fi

Osoite Clas Ohlson Oy, Kaivokatu 10 B,
00100 HELSINKI

Great Britain

Customer Service contact number: 020 8247 9300
 e-mail: customerservice@clasohlson.co.uk

Internet www.clasohlson.co.uk

Postal 10 – 13 Market Place
Kingston Upon Thames
Surrey
KT1 1JZ

Deutschland

Kundenservice Hotline: 040 2999 78111
 E-Mail: kundenservice@clasohlson.de

Homepage www.clasohlson.de

Postanschrift Clas Ohlson GmbH, Jungfernstieg 38,
20354 Hamburg