

# CO<sup>2</sup>TECH<sup>®</sup>

## Angle Grinder

Vinkelslipmaskin  
Vinkelslipemaskin  
Kulmahiomakone



### Important!

Read the entire instruction manual carefully and make sure that you fully understand it before you use the equipment. Keep the manual for future reference.

### Viktig informasjon:

Läs hela bruksanvisningen noggrant och försäkra dig om att du har förstått den innan du använder utrustningen och spara den för framtida bruk.

### Viktig informasjon:

Les disse anvisningene nøye og forsikre deg om at du forstår dem før du bruker enheten og oppbevar dem for senere bruk.

### Tärkeätä tietoa:

Lue nämä ohjeet huolellisesti ja varmista että olet ymmärtänyt ne, ennen kuin alat käyttää laitetta. Säilytä ohjeet myöhempää tarvetta varten.

ENGLISH

SVENSKA

NORSK

SUOMI

ART.NO    MODEL  
30-9316    CT3234

Ver. 200802



# Angle Grinder

## ART. NO. 30-9316, MODEL CT3234

Please read the entire instruction manual before using the product and save it for future reference. We apologise for any text or photographic errors and any changes of technical data. If you have any questions concerning technical problems please contact our Customer Service Department (see address on reverse.)

## Table of Contents

Safety	4
Product Description	11
Assembly	12
Use	13
Changing of grinding wheel	14
Rotating the rear handle	14
Care and Maintenance	15
Troubleshooting Guide	15
Disposal	15
Specifications	15

# 1. General safety instructions

**Warning!** Read all the instructions. Failure to adhere to the following instructions may lead to electric shocks, fires and/or serious injury. The term “electrical hand tools” in the warning text below is referring to your mains operated or battery operated hand tool.

## 1) The work space

- a) Keep the work space clean and well illuminated. Cluttered and poorly lit areas invite accidents.
- b) Do not use electrical hand tools in explosive environments, i.e. nearby flammable liquids, gas or dust. Electrical hand tools generate sparks that could easily ignite dust or fumes.
- c) Keep away from children and other spectators while using the electrical hand tool. Distractions can make you lose your concentration and control.

## 2) Electrical safety

- a) The electrical hand tool's plug must fit correctly in the wall socket. Never modify the plug in any way. Never use an adaptor together with earthed electrical hand tools. Unmodified plugs and suitable wall sockets decrease the risk of electric shock.
- b) Avoid body contact with earthed objects, such as pipes, radiators, ovens or refrigerators. There is an increased risk of electrical shock if your body is earthed.
- c) Do not expose the electrical hand tool to rain or other wet conditions. If water gets inside an electrical hand tool it increases the risk of electrical shock.
- d) Do not misuse the lead. Never use the lead to carry, drag or pull the plug out of the wall socket. Keep the lead away from heat, oil, sharp edges and movable parts. Damaged or tangled leads increase the risk of electrical shock.
- e) When you use an electrical hand tool outdoors; use an extension cord suitable for this purpose. Use of an extension cord for outdoor use decreases the risk of electrical shock.

## 3) Personal safety

- a) Pay attention to what you do and use common sense when using electrical hand tools. Never use an electrical hand tool if you are tired or under the influence of drugs, alcohol or medication. One moment of inattention while using an electrical hand tool may result in serious injury.
- b) Use protective equipment. Always use safety glasses. Using protective equipment such as a face mask, slip resistant protection shoes, a helmet and ear plugs when needed decreases the risk of injury.

- c) Avoid unexpected starts. Make sure that the switch is set to OFF before you connect the device to the wall socket. Never carry an electrical hand tool with one finger on the trigger or never connect the hand tool to a wall socket when the switch is set to ON, since it may result in injury.
- d) Remove all service tools/keys before switching on the hand tool. A forgotten service tool on a rotating part of the electrical hand tool may result in injury.
- e) Do not overreach. Make sure you stand steady and well balanced at all times. This gives better control in unexpected situations.
- f) Wear suitable clothing. Do not wear loose fitting clothes or jewellery. Keep hair, clothes and gloves away from movable parts. Loose fitting clothes, jewellery or long hair could get caught in movable parts.
- g) If the equipment for suctioning or dust collecting is available make sure it is connected and used properly. Using technical aids may reduce dust related hazards.

#### **4) Use and maintenance of the electrical hand tools**

- a) Do not overdrive the hand tool. Use a hand tool suitable for the work you are to perform. At the correct rate of feed, the correct tool will carry out the work better and more safely.
- b) Never use the electrical hand tool if the switch does not work properly to turn on and shut off the tool. All electrical hand tools that cannot be operated by the switch are dangerous and must be repaired.
- c) Unplug the lead from the wall socket before making any adjustments, changes of accessories or storing the electrical hand tool away. These precautions reduce the risk of unexpected starts of the electrical hand tool.
- d) Store electrical hand tools that are not being used out of reach from children. Do not let people unfamiliar with the electrical hand tool or its instructions use it. Electrical hand tools can be dangerous if they get into the hands of inexperienced users.
- e) Maintenance of electrical hand tools. Check if something is incorrectly set, if movable parts are getting jammed, or parts are broken or something else that might cause the electrical hand tool to malfunction. If something is damaged it must be repaired before use. Many accidents are caused by poorly maintained electrical hand tools.
- f) Keep the tools sharp and clean. Properly maintained cutting tools with sharp blades are less likely to jam and are easier to control.
- g) Use the electrical hand tool, accessories and such according to the instructions and in a way suitable for the type of electrical hand tool used. Using the electrical hand tool for work other than that for which it is intended could result in a dangerous situation.

## 5) Service

- a) Let only qualified personnel perform service and repairs using original parts. This guarantees that the safety of the electrical hand tool is maintained.

## 2. Safety warnings common for grinding, sanding, wire brushing, polishing or abrasive cutting-off operations

- a) This power tool is intended to function as a grinder, sander, wire brush or cut-off tool. Read all safety warnings, instructions, illustrations and specifications provided with this power tool. Failure to follow all instructions listed below may result in electric shock, fire and/or serious injury.
- b) Operations such as polishing are not recommended to be performed with this power tool. Operations for which the power tool was not designed may create a hazard and cause personal injury.
- c) Do not use accessories which are not specifically designed and recommended by the tool manufacturer. Just because the accessory can be attached to your power tool, it does not assure safe operation.
- d) The rated speed of the accessory must be at least equal to the maximum speed marked on the power tool. Accessories running faster than their rated speed can break and fly apart.
- e) The outside diameter and the thickness of your accessory must be within the capacity rating of your power tool. Incorrectly sized accessories cannot be adequately guarded or controlled.
- f) The arbour size of wheels, flanges, backing pads or any other accessory must properly fit the spindle of the power tool. Accessories with arbour holes that do not match the mounting hardware of the power tool will run out of balance, vibrate excessively and may cause loss of control.
- g) Do not use a damaged accessory. Before each use inspect the accessory such as abrasive wheels for chips and cracks, backing pad for cracks, tear or excess wear, wire brush for loose or cracked wires. If power tool or accessory is dropped, inspect for damage or install an undamaged accessory. After inspecting and installing an accessory, position yourself and bystanders away from the plane of the rotating accessory and run the power tool at maximum no-load speed for one minute. Damaged accessories will normally break apart during this test time.

- h) Wear personal protective equipment. Depending on application, use face shield, safety goggles or safety glasses. As appropriate, wear dust mask, hearing protectors, gloves and workshop apron capable of stopping small abrasive or workpiece fragments. The eye protection must be capable of stopping flying debris generated by various operations. The dust mask or respirator must be capable of filtering particles generated by your operation. Prolonged exposure to high intensity noise may cause hearing loss.
- i) Keep bystanders a safe distance away from work area. Anyone entering the work area must wear personal protective equipment. Fragments of workpiece or of a broken accessory may fly away and cause injury beyond immediate area of operation.
- j) Hold power tool by insulated gripping surfaces only, when performing an operation where the cutting accessory may contact hidden wiring or its own cord. Cutting accessory contacting a “live” wire may make exposed metal parts of the power tool “live” and shock the operator.
- k) Position the cord clear of the spinning accessory. If you lose control, the cord may be cut or snagged and your hand or arm may be pulled into the spinning accessory.
- l) Never lay the power tool down until the accessory has come to a complete stop. The spinning accessory may grab the surface and pull the power tool out of your control.
- m) Do not run the power tool while carrying it at your side. Accidental contact with the spinning accessory could snag your clothing, pulling the accessory into your body.
- n) Regularly clean the power tool’s air vents. The motor’s fan will draw the dust inside the housing and excessive accumulation of powdered metal may cause electrical hazards.
- o) Do not operate the power tool near flammable materials. Sparks could ignite these materials.
- p) Do not use accessories that require liquid coolants. Using water or other liquid coolants may result in electrocution or shock.

## **Kickback and Related Warnings**

Kickback is a sudden reaction to a pinched or snagged rotating wheel, backing pad, brush or any other accessory. Pinching or snagging causes rapid stalling of the rotating accessory which in turn causes the uncontrolled power tool to be forced in the direction opposite of the accessory's rotation at the point of the binding.

For example, if an abrasive wheel is snagged or pinched by the workpiece, the edge of the wheel that is entering into the pinch point can dig into the surface of the material causing the wheel to climb out or kick out. The wheel may either jump toward or away from the operator, depending on direction of the wheel's movement at the point of pinching. Abrasive wheels may also break under these conditions.

**Kickback is the result of power tool misuse and/or incorrect operating procedures or conditions and can be avoided by taking proper precautions as given below.**

- a) Maintain a firm grip on the power tool and position your body and arm to allow you to resist kickback forces. Always use auxiliary handle, if provided, for maximum control over kickback or torque reaction during start-up. The operator can control torque reactions or kickback forces, if proper precautions are taken.
- b) Never place your hand near the rotating accessory. Accessory may kickback over your hand.
- c) Do not position your body in the area where power tool will move if kickback occurs. Kickback will propel the tool in direction opposite to the wheel's movement at the point of snagging.
- d) Use special care when working corners, sharp edges etc. Avoid bouncing and snagging the accessory. Corners, sharp edges or bouncing have a tendency to snag the rotating accessory and cause loss of control or kickback.
- e) Do not attach a saw chain woodcarving blade or toothed saw blade. Such blades create frequent kickback and loss of control.

## **Safety Warnings specific for grinding and abrasive cutting-off operations**

- a) Use only wheel types that are recommended for your power tool and the specific guard designed for the selected wheel. Wheels for which the power tool was not designed cannot be adequately guarded and are unsafe.
- b) The guard must be securely attached to the power tool and positioned for maximum safety, so the least amount of wheel is exposed towards the operator. The guard helps to protect operator from broken wheel fragments and accidental contact with wheel.



- c) Wheels must be used only for recommended applications. For example: do not grind with the side of cut-off wheel. Abrasive cut-off wheels are intended for peripheral grinding, side forces applied to these wheels may cause them to shatter.
- d) Always use undamaged wheel flanges that are of correct size and shape for your selected wheel. Proper wheel flanges support the wheel thus reducing the possibility of wheel breakage. Flanges for cut-off wheels may be different from grinding wheel flanges.
- e) Do not use worn down wheels from larger power tools. Wheels intended for larger power tool are not suitable for the higher speed of a smaller tools and may burst.

### **Additional Safety Warnings specific for abrasive cutting-off operations**

- a) Do not “jam” the cut-off wheel or apply excessive pressure. Do not attempt to make an excessive depth of cut. Overstressing the wheel increases the loading and susceptibility to twisting or binding of the wheel in the cut and the possibility of kickback or wheel breakage.
- b) Do not position your body in line with and behind the rotating wheel. When the wheel, at the point of operation, is moving away from your body, the possible kickback may propel the spinning wheel and the power tool directly at you.
- c) When wheel is binding or when interrupting a cut for any reason, switch off the power tool and hold the power tool motionless until the wheel comes to a complete stop. Never attempt to remove the cut-off wheel from the cut while the wheel is in motion otherwise kickback may occur. Investigate and take corrective action to eliminate the cause of wheel binding.
- d) Do not restart the cutting operation in the workpiece. Let the wheel reach full speed and carefully re-enter the cut. The wheel may bind, walk up or kickback if the power tool is restarted in the workpiece.
- e) Support panels or any oversized workpiece to minimize the risk of wheel pinching and kickback. Large workpieces tend to sag under their own weight. Supports must be placed under the workpiece near the line of cut and near the edge of the workpiece on both sides of the wheel.
- f) Use extra caution when making a “pocket cut” into existing walls or other blind areas. The protruding wheel may cut gas or water pipes, electrical wiring or objects that can cause kickback.

## Safety Warnings specific for sanding operations

- a) Do not use excessively oversized sanding disc paper. Follow manufacturers recommendations, when selecting sanding paper. Larger sanding paper extending beyond the sanding pad presents a laceration hazard and may cause snagging, tearing of the disc or kickback.

## Safety Warnings specific for wire brushing operations

- a) Be aware that wire bristles are thrown by the brush even during ordinary operation. Do not overstress the wires by applying excessive load to the brush. The wire bristles can easily penetrate light clothing and/or skin.
- b) If the use of a guard is recommended for wire brushing, do not allow any interference of the wire wheel or brush with the guard. Wire wheel or brush may expand in diameter due to work load and centrifugal forces.

## Product marking with safety symbols

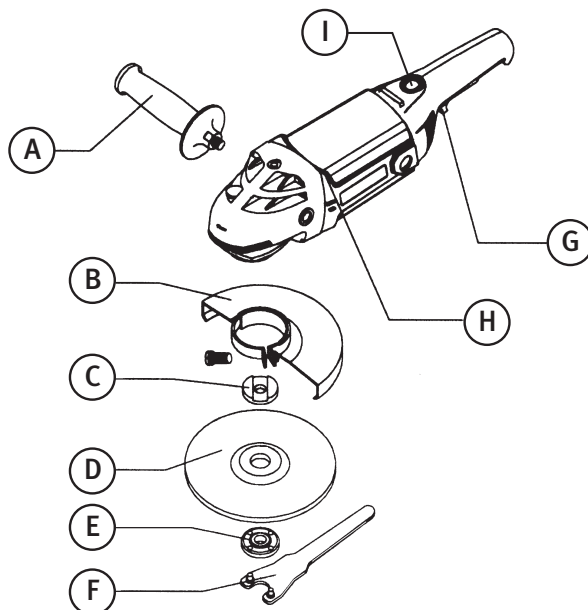


Read the safety and operating instructions



Always use ear defenders. Always use safety glasses or a visor and wear a face mask.

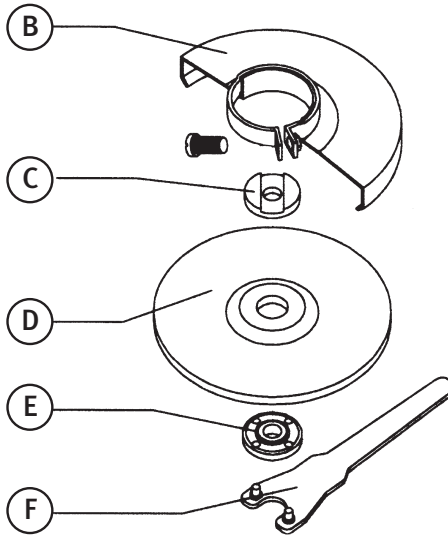
### 3. Product Description



- |                                  |  |
|----------------------------------|--|
| a) Handle                        | f) Spanner                               |
| b) Shatter guard                 | g) Power Switch                          |
| c) Inner flange                  | h) Machine body                          |
| d) Grinding wheel (not included) | i) Locking button for rotation of handle |
| e) Outer flange                  |  |

## 4. Assembly

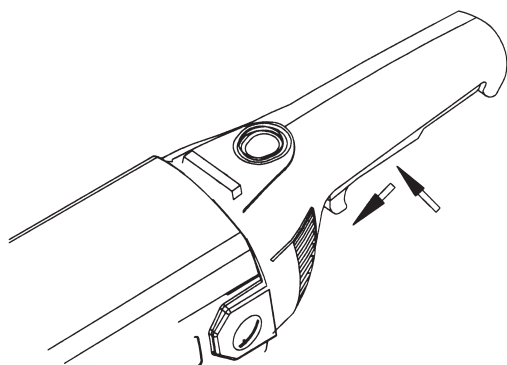
1. Screw the side handle on the side of the gearbox that fits best. Insert the rubber plugs in the holes that are not used. Three different kinds of assembly are possible.
2. Place the inner unthreaded flange (C) on the spindle and twist it until it locks on the spindle.
3. Put on a grinding/cutting disc (D) on the spindle so it centres.
4. Put on the outer flange (E) with the concave side towards the disc.
5. Push in the spindle lock and tighten the flange clockwise with the included key.
6. Start the machine and let it run for awhile to make sure the disc is balanced before grinding.



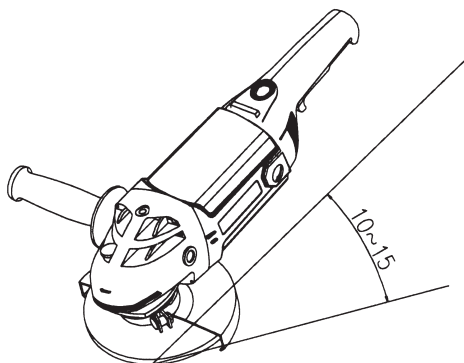
## 5. Use

- Let the machine come up to speed before grinding.
- Make sure you have good overview when grinding.
- Do not use the side of cutting discs for grinding since they cannot handle pressure to the face.
- Use a diamond grinding wheel when cutting stone etc.
- Do not angle the machine while cutting. Make straight cuts only with a cutting disc.

1. Stand steady and hold the machine firmly in both hands.
2. Push the switch forward and then up.



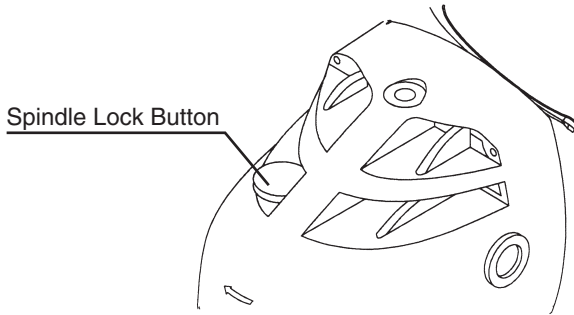
3. Turn off the machine by releasing the switch.
4. The best method for grinding is to hold the machine in at a 10-15° angle.



## 6. Changing of grinding wheel

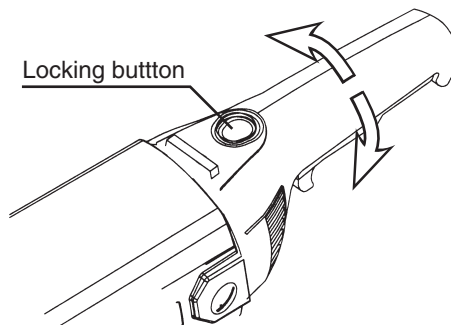
The grinding wheel must have the correct inner diameter. Never use loose sleeves. It should be approved for at least 8500 rpm.

1. Pull out the plug from the outlet before changing the grinding disc.
2. Activate the spindle loc. Loosen the spindle bolt from the outer flange of the spindle.
3. Remove the old grinding disc and attach a new one.
4. Assemble in reversed order.
5. Start the machine and let it run for awhile to make sure the disc is balanced before grinding.



## 7. Rotating the rear handle

1. Unplug the mains lead before rotating the handle.
2. Push in the locking button to rotate the handle.
3. Rotate the handle to one of the three set positions.
4. Release the locking button and make sure the handle clicks in position.



## 8. Care and Maintenance

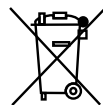
Always keep the motor's ventilation openings free of dust and debris. If needed dry off the angle grinder with a soft damp cloth. Avoid strong detergents or solvents.

## 9. Troubleshooting Guide

Problem	Possible Cause	Remedy
The machine does not start.	No power.	Check the power point.
	Worn brushes.	Contact Customer Service in case of motor or electrical faults.
	Short circuit.	
	Faulty power switch.	
The machine runs slowly.	Worn/damaged cutter/bit.	Sharpen or change the cutter/bit.
	Speed too low.	Do not press down too hard.
	The motor is overheated.	
Strange noise.	Mechanical fault.	Contact us in case of motor or electrical faults.
	Faulty windings.	
Strong vibrations.	Loose cutter/bit.	Tighten the tool and make sure it is set correctly.
Sparks in the motor.	Brushes jammed.	Contact Customer Service in case of motor or electrical faults.
	Winding short circuited.	
	Dirt on collector.	

## 10. Disposal

Follow local ordinances when disposing this product. If you are unsure about the disposal of this product contact your municipality.



## 11. Specifications

Power Supply	230 V ~ 50 Hz
Power	1800 W
No-Load Speed:	8500 rpm
Grinding Wheel	Ø 180 mm, hole Ø 22 mm
Weight	4.7 kg (excluding grinding wheel)
Sound Pressure (LpA)	95 dB (A)
Sound Power (Lwa)	108 dB (A)
Vibration Value	4.7 m/s <sup>2</sup>

# Vinkelslipmaskin

## ART.NR 30-9316, MODELL CT3234

Läs igenom hela bruksanvisningen före användning och spara den sedan för framtida bruk. Vi reserverar oss för ev. text- och bildfel samt ändringar av tekniska data. Vid tekniska problem eller andra frågor, kontakta vår kundtjänst (se adressuppgifter på baksidan).

## Innehållsförteckning

Säkerhetsinstruktioner	17
Produktbeskrivning	24
Montering	25
Användning	26
Byte av slipskiva	27
Att rotera det bakre handtaget	27
Skötsel och underhåll	28
Felsökningsschema	28
Avfallshantering	28
Specifikationer	28



# 1. Generella säkerhetsinstruktioner

**Varning!** Läs alla instruktioner. Om nedanstående instruktioner inte följs kan detta leda till elektrisk stöt, brand och/eller allvarlig skada. Termen ”elektriskt handverktyg” i varningstexten nedan refererar till ditt nätanslutna eller batteridrivna handverktyg.

## 1) Arbetsutrymmet

- a) Håll arbetsutrymmet rent och väl upplyst. Belamrade och mörka utrymmen inbjuder till olyckor.
- b) Använd inte elektriska handverktyg i explosiva miljöer, som i närheten av lättantändliga vätskor, gaser eller damm. Elektriska handverktyg genererar gnistor som kan antända damm eller ångor.
- c) Håll undan barn och åskådare medan du använder det elektriska handverktyget. Störningsmoment kan göra att du tappar kontrollen.

## 2) Elektrisk säkerhet

- a) Det elektriska handverktygets stickpropp måste passa i vägguttaget. Modifiera aldrig stickproppen på något vis. Använd aldrig adapter tillsammans med jordade elektriska handverktyg. Omodifierade stickproppar och passande vägguttag minskar risken för elektrisk stöt.
- b) Undvik kroppskontakt med jordade föremål, som rör, element, köksspis eller kylskåp. Det innebär ökad risk för elektrisk stöt om din kropp är jordad.
- c) Utsätt inte det elektriska handverktyget för regn eller våta förhållanden. Om vatten tränger in i ett elektriskt handverktyg ökar det risken för elektrisk stöt.
- d) Misshandla inte nätsladden. Använd aldrig nätsladden för att bära, dra eller rycka stickproppen ur vägguttaget. Håll nätsladden undan från värme, olja, vassa kanter och rörliga delar. Skadade eller trassliga nätsladdar ökar risken för elektrisk stöt.
- e) När du använder ett elektriskt handverktyg utomhus, använd en skarvsladd anpassad för detta ändamål. Användning av en skarvsladd för utomhusbruk minskar risken för elektrisk stöt.

## 3) Personlig säkerhet

- a) Var uppmärksam på vad du gör och använd sunt förnuft när du använder ett elektriskt handverktyg. Använd inte ett elektriskt handverktyg om du är trött eller påverkad av droger, alkohol eller medicinering. Ett ögonblicks uppmärksamhet när du använder ett elektriskt handverktyg kan resultera i allvarlig personskada.

- b) Använd skyddsutrustning. Bär alltid skyddsglasögon. Användning av skyddsutrustning som andningsskydd, halksäkra skyddsskor, hjälm och hörselskydd vid behov minskar risken för personskada.
- c) Undvik oavsiktlig start. Se till att strömbrytaren är i läge "OFF" innan du ansluter stickproppen till vägguttaget. Att bära ett elektriskt handverktyg med ett finger på strömbrytaren/avtryckaren eller att ansluta ett elektriskt handverktyg till elnätet när strömbrytaren är i läge "ON" inbjuder till olyckor.
- d) Tag bort alla serviceverktyg/nycklar innan du slår på det elektriska handverktyget. Ett kvarglömt serviceverktyg på en roterande del av det elektriska handverktyget kan resultera i personskada.
- e) Sträck dig inte för långt. Se till att du står stadigt med god balans hela tiden. Detta möjliggör bättre kontroll i oväntade situationer.
- f) Bär lämplig klädsel. Bär inte löst sittande kläder eller smycken. Håll hår, kläder och handskar undan från rörliga delar. Lösa kläder, smycken eller långt hår kan fastna i rörliga delar.
- g) Om utrustning för utsugning och uppsamling av damm finns tillgängligt, se till att denna är ansluten och används ordentligt. Användning av dessa hjälpmedel kan minska dammrelaterade faror.

#### **4) Användning och underhåll av det elektriska handverktyget**

- a) Pressa inte det elektriska handverktyget. Använd ett elektriskt handverktyg som är avsett för det arbetsmoment du utför. Korrekt elektriskt handverktyg gör jobbet bättre och säkrare med avsedd matningshastighet.
- b) Använd inte det elektriska handverktyget om strömbrytaren inte slår på och stänger av verktyget. Alla elektriska handverktyg som inte kan kontrolleras med strömbrytaren är farliga och måste repareras.
- c) Tag stickproppen ur vägguttaget innan du utför några justeringar, byter tillbehör eller lägger undan det elektriska handverktyget för förvaring. Dessa åtgärder i förebyggande syfte minskar risken för att starta det elektriska handverktyget oavsiktligt.
- d) Förvara elektriska handverktyg som inte används utom räckhåll för barn och låt inte personer som inte är förtrogna med det elektriska handverktyget eller dessa instruktioner använda det. Elektriska handverktyg är farliga om de kommer i händerna på ovana användare.
- e) Underhåll elektriska handverktyg. Kontrollera om något är felinställt, om rörliga delar kärvar, om delar har gått sönder eller något annat som kan påverka funktionen av det elektriska handverktyget. Om något är skadat måste det repareras före användning. Många olyckor beror på dåligt underhållna elektriska handverktyg.

- f) Håll verktygen vassa och rena. Ordentligt underhållna skärverktyg med vassa eggar är mindre benägna att kårva och lättare att kontrollera.
- g) Använd det elektriska handverktyget, tillbehör och liknande enligt instruktionerna och på det sätt som är ämnat för just den typen av elektriskt handverktyg, och ta även hänsyn till arbetsförhållandena och den typ av arbete som ska utföras. Användning av det elektriska handverktyget för arbeten andra än vad det är ämnat för kan resultera i en farlig situation.

## 5) Service

- a) Låt behörig personal utföra service och reparationer, och endast med originalreservdelar. Detta garanterar att säkerheten på det elektriska handverktyget behålls.

## 2. Särskilda säkerhetsvarningar gällande slipning, putsning, borstning eller kapning

- a) Detta elektriska handverktyg är avsett för slipning, putsning, borstning och kapning. Läs alla säkerhetsvarningar, instruktioner, illustrationer och specifikationer som medföljer detta verktyg. Underlåtelse att följa alla instruktioner nedan kan resultera i elektrisk chock, brand och/eller allvarlig skada.
- b) Polering rekommenderas ej att utföras med detta elektriska handverktyg. Utförande av arbeten som detta verktyg inte är avsett för kan orsaka fara och leda till personlig skada.
- c) Använd inte tillbehör som inte är speciellt avsedda och rekommenderade av verktygstillverkaren. Även om tillbehöret kan monteras på ditt elektriska handverktyg är det ingen försäkran om säker användning.
- d) Märkhastigheten på tillbehöret måste minst motsvara den maximala hastigheten märkt på det elektriska handverktyget. Tillbehör som roterar snabbare än märkhastigheten kan gå sönder och falla isär.
- e) Ytterdiametern och tjockleken på tillbehöret måste vara inom märkkapaciteten på ditt elektriska handverktyg. Fel storlek på tillbehören kan inte skyddas eller kontrolleras ordentligt.
- f) Axelstorleken på skivor, flänsar och stödrondeller eller något annat tillbehör måste passa spindeln på ditt elektriska handverktyg ordentligt. Tillbehör vars fästhål inte passar ihop med det monterade tillbehöret hamnar i obalans, vibrerar häftigt och kan orsaka att du tappar kontrollen.

- g) Använd inte ett skadat tillbehör. Inspektera tillbehören och se om det finns flisor eller sprickor på slipskivorna; sprickor, nötningar eller slitage på stödrondellen, eller lösa eller trasiga borst på stålborstrondellerna. Om du tappar ditt elektriska handverktyg eller ett tillbehör, kontrollera om det finns skador eller montera ett oskadat tillbehör. Efter inspektion och montering av ett tillbehör, placera dig själv och åskådare utanför maskinens riskområde och kör det elektriska handverktyget på fullt varvtal i en minut. Skadade tillbehör går normalt sönder under testperioden.
- h) Bär personlig skyddsutrustning. Beroende på hur du använder maskinen, använd ansiktsskydd eller skyddsglasögon. Vid behov, använd ansiktsmask, hörselskydd, handskar och arbetsförkläde som skyddar mot små slippartiklar eller flisor från arbetsstycket. Ögonskyddet ska kunna skydda mot kringflygande skräp som bildas vid olika arbetsmoment. Andningsskyddet ska kunna filtrera partiklar som bildas vid arbetet. Långvarig vistelse i buller kan orsaka hörselskador.
- i) Håll åskådare på behörigt avstånd från arbetsplatsen. Alla som besöker arbetsplatsen måste bära personlig skyddsutrustning. Flisor från arbetsstycket eller från ett trasigt tillbehör kan flyga iväg och orsaka skada utanför arbetets omedelbara närområde.
- j) Håll det elektriska handverktyget endast i isolerade gripytor när du utför arbetsmoment där kapskivan kan komma i kontakt med gömda kablar eller den egna sladden. Kapskivor som kommer i kontakt med en strömförande kabel kan göra utsatta metalldelar av verktyget strömförande och utsätta användaren för elektriska stötter.
- k) Placera sladden på avstånd från det roterande tillbehöret. Om du förlorar kontrollen kan sladden kapas eller fastna och din hand eller arm kan dras in i det roterande tillbehöret.
- l) Lägg aldrig ifrån dig det elektriska handverktyget innan tillbehöret har stannat helt. Det roterande tillbehöret kan fastna i underlaget och dra iväg verktyget utanför din kontroll.
- m) Kör inte det elektriska handverktyget när du bär det med dig. Oavsiktlig kontakt med det roterande tillbehöret kan göra att det fastnar i dina kläder och dra verktyget mot kroppen.
- n) Rengör regelbundet motorns ventilationsöppningar. Motorns fläkt drar åt sig damm som kommer in under höljet, och överflödigt metallspån som ansamlats kan orsaka elektriska faror.
- o) Använd inte det elektriska handverktyget i närheten av lättantändliga material. Gnistor kan antända dessa material.
- p) Använd inte tillbehör som kräver kylvätskor. Användning av vatten eller andra kylvätskor kan resultera i elektrisk chock eller dödande elektrisk stöt.

## Kast och tillhörande varningar

Kast är en plötslig reaktion på en klämd eller fastkörd rondell, stödrondell, borste eller någon annat tillbehör. Klämning eller fastkörning orsakar ett snabbt stopp av det roterande tillbehöret som i sin tur gör att det elektriska handverktyget tvingas i motsatt riktning mot tillbehörets rotation vid fastkörningspunkten.

Till exempel, om en slipskiva fastnar eller kläms fast i arbetsstycket kan kanten av slipskivan få grepp i arbetsstycket och orsaka att slipskivan gräver sig ner eller kastas upp. Slipskivan kastas antingen mot eller bort från användaren, beroende på rotationsriktningen på slipskivan när den fastnar. Slipskivor kan också gå sönder under dessa omständigheter.

Kast är resultatet av att det elektriska handverktyget används på fel sätt, för fel saker eller under felaktiga förhållanden och kan undvikas genom att nedanstående försiktighetsåtgärder vidtas.

- a) Håll stadigt i det elektriska handverktyget och håll armarna och kroppen så att du kan parera kast. Använd alltid hjälphandtaget om det finns ett sådant för maximal kontroll över kast eller reaktioner på vridmomentet vid start. Kast eller reaktioner på vridmomentet kan kontrolleras av användaren om nödvändiga försiktighetsåtgärder vidtas.
- b) Placera aldrig din hand nära det roterande tillbehöret. Tillbehöret kan få ett kast över din hand.
- c) Ställ dig inte det område dit det elektriska handverktyget kan tänkas hamna om det inträffar ett kast. Kast driver verktyget i motsatt riktning mot slipskivans rotation vid fastkörningspunkten.
- d) Var extra försiktig när du bearbetar hörn, vassa kanter etc. Undvik att studsas med och sätta fast tillbehöret. Hörn, vassa kanter och studsning har en tendens att sätta fast det roterande tillbehöret och orsaka kast eller att du tappar kontrollen över verktyget.
- e) Montera aldrig fast ett sågblad med sågkedja för träbearbetning eller ett tandat sågblad. Sådana blad orsakar frekventa kast och gör att du tappar kontrollen.

## **Säkerhetsvarningar speciellt för slipning och kapning med kapskiva**

- a) Använd endast skivtyper som är rekommenderade för det elektriska handverkyget och ett speciellt sprängskydd avsett för den valda kapskivan. Skivor som inte är avsedda för det elektriska handverkyget kan inte skyddas ordentligt och kan vara farliga.
- b) Sprängskyddet ska monteras på det elektriska handverkyget på ett säkert sätt och inställt för maximal säkerhet, så att användaren utsätts för så liten del som möjligt av skivan. Sprängskyddet hjälper till att skydda användaren från trasiga skivdelar och oavsiktlig kontakt med skivan.
- c) Skivorna får endast användas för rekommenderade arbetsmoment. Till exempel: Slipa inte med sidan av en kapskiva. Kapskivor är avsedda för slipning med kanten, utsätts de för krafter från sidan kan de splittras.
- d) Använd alltid oskadade skivflänsar av rätt storlek och form för den skiva du har valt. Passande skivflänsar stöder skivan och minskar risken för att den ska gå sönder. Flänsar för kapskivor kan vara olika mot dem som används för slipskivor.
- e) Använd aldrig nedslitna skivor från ett större elektrisk handverktyg. Skivor avsedda för större elektriska handverktyg passar inte för det varvtal som mindre verktyg har och kan spricka.

## **Ytterligare säkerhetsvarningar speciellt för kapning med kapskiva**

- a) Pressa inte kapskivan eller lägg på för mycket tryck. Försök inte att kapa för djupt. Överbelastning av skivan ökar trycket och mottagligheten för att skivan ska vridas eller fastna i snittet och risken för kast eller att skivan går sönder.
- b) Ställ dig aldrig i linje med eller bakom den roterande skivan. När skivan under användning rör sig bort från dig kan ett kast driva den roterande skivan och det elektriska handverkyget direkt mot dig.
- c) När skivan fastnar eller om du av någon anledning vill avbryta en kapning, stäng av det elektriska handverkyget och håll still det tills skivan har stannat helt. Försök aldrig att ta bort kapskivan från kapspåret medan skivan är i rörelse eftersom det då kan inträffa kast. Undersök och vidta nödvändiga åtgärder för att minimera riskerna för att kapskivan ska fastna.
- d) Efter stopp, återstarta inte kapningen med skivan i arbetsstycket. Låt skivan nå fullt varvtal först och fortsätt sedan försiktigt i kapspåret. Skivan kan fastna, vandra upp ur kapspåret eller orsaka kast om kapningen återstartas i arbetsstycket.
- e) Stöd stora skivor eller andra stora arbetsstycken för att minimera risken för fastkörning eller kast. Stora skivor tenderar att bågna av sin egen vikt. Stöd måste placeras under skivan nära kapspåret och nära kanten på arbetsstycket på båda sidor om kapskivan.

- f) Var extra försiktig vid instickskapning i väggar eller andra föremål där du inte ser var du sågar. Den utskjutande sågklingan kan såga i gas- eller vattenledningar, elkablar eller andra föremål som kan orsaka kast.

### Säkerhetsvarningar speciellt för putsning

- a) Använd inte för stora sliprondeller. Följ tillverkarens rekommendationer när du väljer sliprondeller. Större sliprondeller som sticker ut utanför stödrondellen innebär risk för sönderslitning och kan orsaka att rondellen fastnar eller går sönder eller att det inträffar kast.

### Säkerhetsvarningar speciellt för stålborstning

- a) Tänk på att borst lossnar från stålborstrondellen även vid normal användning. Pressa inte borstrondellen genom lägga på för mycket tryck. Lösa borst kan enkelt gå igenom tunna kläder eller huden.
- b) Om sprängskydd rekommenderas vid stålborstning, se till att borstrondellen inte rör vid sprängskyddet. Stålborstrondellen kan expandera av arbetsbelastningen eller centrifugalkraften.

## Produktmärkning med säkerhetssymboler

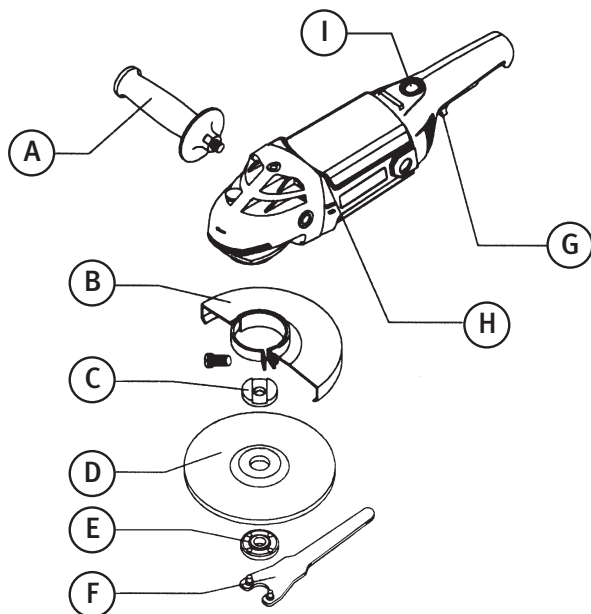


Läs igenom hela bruksanvisningen före användning och spar den sedan som referensmaterial.



Använd hörselskydd och andningsskydd.  
Använd skyddsglasögon eller visir.

### 3. Produktbeskrivning

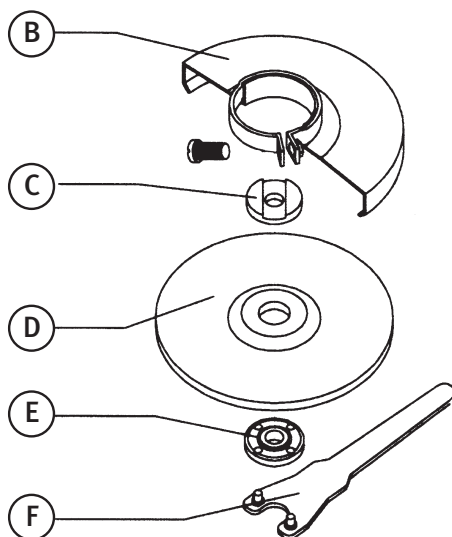


- A. Handtag
- B. Sprängskydd
- C. Inre fläns
- D. Slipskiva (medföljer ej)
- E. Yttre fläns
- F. Nyckel
- G. Strömbrytare
- H. Maskinkropp
- I. Spärrknapp för rotation av handtag



## 4. Montering

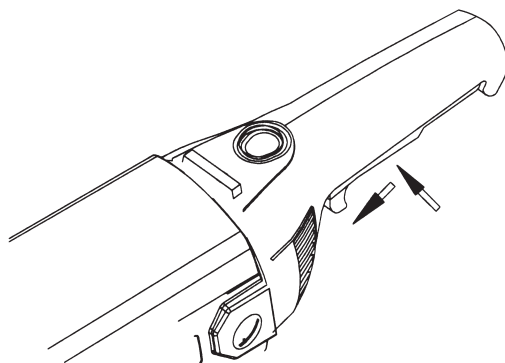
1. Skruva i sidohandtaget på den sida av växelhuset som känns bäst, sätt i gummipluggen i dom hålen som inte används. Tre olika monteringar är möjligt.
2. Placera den inre ogängade flänsen (C) på spindeln, vrid den så att den låser på spindeln.
3. Lägg på en slip/kapskiva (D) på spindeln så att den centrerar,
4. Gänga på den yttre flänsen (E) så att den konkava sidan är mot skivan.
5. Tryck in spindellåset och dra åt flänsen medurs med den bifogade nyckeln.
6. Starta vinkelslipmaskinen och låt den gå i en stund för att kontrollera att slipskivan är balanserad innan du börjar slipa.



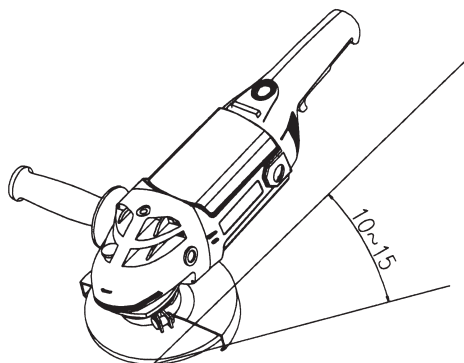
## 5. Användning

- Låt slipmaskinen gå upp i varv innan slipningen påbörjas.
- Stå så att du har god överblick av slipningen.
- Använd inte sidan på kapskivor till slipning, de tål inte tryck från sidan.
- Använd diamantskiva vid kapning av sten och liknande.
- Vinkla inte vinkelslipen under kapning, gör raka snitt med kapskiva.
- Håll ventilationsöppningarna fria så att inte motorn blir för varm.

1. Stå stadigt och håll i vinkelslipen med båda händerna.
2. Tryck strömbrytaren framåt och sedan uppåt.



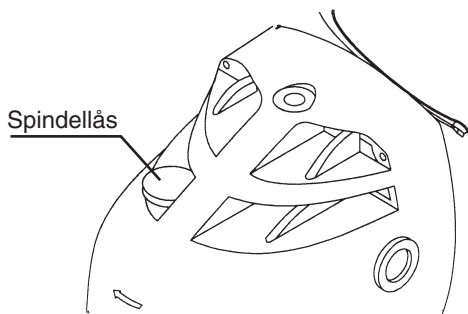
3. Stäng av maskinen genom att släppa strömbrytaren.
4. Bästa metoden för slipning är att hålla vinkelslipen i en vinkel av ca 10 till 15°.



## 6. Byte av slipskiva

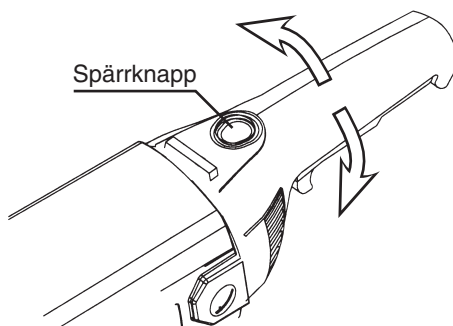
Slipskivan ska ha rätt innerdiameter, använd aldrig lösa bussningar. Den ska vara godkänd minst för ett varvtal på 8500 RPM.

1. Dra ut nätsladdens stickpropp ur uttaget innan slipskivebyte.
2. Aktivera spindellåset, lossa yttre flänsen från spindeln.
3. Ta bort den gamla slipskivan och sätt dit den nya.
4. Montera i omvänd ordning.
5. Stå bredvid vinkelslipmaskinen och starta den och låt den gå i en stund för att kontrollera att slipskivan är balanserad innan du börjar slipa.



## 7. Att rotera det bakre handtaget

1. Dra ut nätsladden innan handtaget roteras.
2. Tryck in spärknappen för rotering av handtag.
3. Roter handtaget till ett av dom 3 fasta lägena.
4. Släpp spärknappen och se till att handtaget klickar fast i läge.



## 8. Skötsel och underhåll

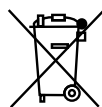
Håll motorns ventilationsöppningar fria från spån och skräp. Torka vid behov av maskinen med en lätt fuktad trasa. Undvik starka eller slipande rengöringsmedel eller lösningsmedel.

## 9. Felsökningschema

Problem	Möjlig orsak	Åtgärd
Maskinen går inte.	Ingen ström.	Kontrollera att uttaget är strömförande.
	Slitna kolborstar.	Kontakta oss vid motor- och elfel.
	Kortslutning.	
	Fel på strömbrytaren.	
Maskinen går sakta.	Slött eller skadat verktyg.	Slipa om eller byt ut verktyget.
	För lågt varvtal.	Mata inte så hårt.
	Motorn är överhettad.	
Ovanliga ljud hörs.	Mekaniskt hinder.	Kontakta oss vid motor- och elfel.
	Lindning delvis korsluten.	
Starka vibrationer.	Verktyget sitter löst.	Dra åt verktyget och se till att det är rätt installerat.
Gnistbildning i motorn.	Kolborstarna sitter fast.	Kontakta oss vid motor- eller elfel.
	Lindningen kortsluten.	
	Kollektorn är smutsig.	

## 10. Avfallshantering

När du ska göra dig av med produkten ska detta ske enligt lokala föreskrifter. Är du osäker på hur du ska gå tillväga, kontakta din kommun.



## 11. Specifikationer

Märkspänning:	230 VAC, 50 Hz
Märkeffekt:	1800 W
Varvtal, obelastad:	8500 v/min
Slipskiva:	Ø 180 mm, hål Ø 22mm
Ljud:	LPA 95 dB(A) LWA 108 dB(A)
Vibration:	4,7 m/s <sup>2</sup>
Vikt:	4,7 kg (utan slipskiva)

# Vinkelslipemaskin

**ART.NR 30-9316, MODELL CT3234**

Les nøye igjennom hele bruksanvisningen og ta vare på den til senere bruk.

Vi reserverer oss mot ev. tekst- og bildefeil, samt forandringer av tekniske data.

Ved tekniske problemer eller andre spørsmål, ta kontakt med vårt kundesenter (se opplysninger på baksiden).

## Innholdsfortegnelse

Sikkerhetsinstruksjoner	30
Produktbeskrivelse	36
Montering	37
Bruk	38
Bytte av slipeskive	39
Hvordan rotere det bakerste håndtaket	39
Vedlikehold og reparasjon	40
Feilsøknings skjema	40
Avfallshåndtering	40
Spesifikasjoner	40

# 1. Generelle sikkerhetsinstruksjoner

**Advarsel!** Les gjennom hele instruksjonen. Hvis ikke instruksjonen følges, kan dette føre til elektrisk støt, brann og/eller alvorlige skader. Med "elektrisk håndverktøy" i teksten nedenfor, menes strømtilkoblet eller batteridrevne håndverktøy.

## 1) Arbeidsplassen

- a) Hold arbeidsplassen ren, ryddig og godt opplyst. Rotete arbeidsplass eller dårlig opplyste områder kan føre til ulykker.
- b) Ikke bruk elektriske håndverktøy i omgivelser med eksplosjonsfare, som for eksempel i nærheten av lettantennelige væsker, gasser eller støv. Elektrisk håndverktøy kan danne gnister som kan antenne støv eller trespon.
- c) Hold barn og andre tilskuere unna mens du bruker elektriske håndverktøy. Du kan lett miste kontrollen dersom du blir forstyrret mens du arbeider.

## 2) Sikkerhet ved bruk av elektrisk strøm

- a) Kontakten til det elektriske verktøyet må passe i veggstøpselet. Kontakten må ikke forandres på. Bruk aldri adapter sammen med elektrisk håndverktøy som krever jording. Ved bruk av originale kontakter og støpsler minsker faren for elektrisk støt.
- b) Unngå kroppskontakt med jodede gjenstander som rør, ovner, komfyrer og kjøleskap. Kroppskontakt med disse øker faren for elektrisk støt.
- c) Elektrisk håndverktøy bør ikke utsettes for regn eller fuktighet. Hvis det kommer vann inn i et elektrisk håndverktøy, øker faren for elektrisk støt.
- d) Håndter ledningen forsiktig. Den må ikke bli brukt til å bære verktøyet med. Dra heller ikke i ledningen når du skal ha den ut av stikkontakten. Hold ledningen unna varme, olje, skarpe kanter og bevegelige deler. Skadede eller deformerte kontakter kan øke faren for elektrisk støt.
- e) Ved bruk av elektrisk håndverktøy utendørs, skal en benytte en skjøteledning som er beregnet til dette formålet. Når skjøteledning som er beregnet for utendørs bruk benyttes, minsker faren for elektrisk støt.

## 3) Personlig sikkerhet

- a) Vær våken og bruk sunn fornuft når du bruker et elektrisk verktøy. Ikke bruk elektriske håndverktøy når du er trøtt eller påvirket av dop, alkohol eller sterke medisiner. Når du bruker elektrisk håndverktøy kan et lite øyeblikks uoppmerksomhet resultere i store personskader.
- b) Bruk verneutstyr. Benytt alltid vernebriller. Bruk av verneutstyr som støvmaske, skliskre såler på skoene, hjelm og hørselvern, ved behov, minsker faren for personskade.

- c) Unngå uønsket oppstart. Påse at strømbryteren står i posisjon "OFF" før du kobler til strømmen. Det å bære et elektrisk håndverktøy med en finger på avtrekkeren/strømbryteren, eller å koble til strømmen når strømbryteren står i posisjon "ON", kan forårsake ulykker.
- d) Fjern alle nøkler/serviceverktøy før du starter det elektriske håndverktøyet. Et gjenglemt serviceverktøy på en roterende del, kan forårsake personskader.
- e) Strekk deg ikke for langt. Påse at du står støtt og har god balanse hele tiden. Da er du bedre forberedt når uventede situasjoner oppstår.
- f) Benytt fornuftige arbeidsklær. Ikke bruk løstsittende klær og smykker. Hold klær, hansker og smykker unna bevegelige deler. Løse klær, smykker eller langt hår, kan sette seg fast i bevegelige deler.
- g) Hvis det er mulig å koble til en støvsamler/støvsuger, bør dette gjøres. Ved bruk av sådanne hjelpemidler, kan en minske faren for støvrelaterte skader og ulykker.

#### **4) Bruk og vedlikehold av elektrisk håndverktøy**

- a) Ikke press et elektrisk håndverktøy. Bruk elektriske håndverktøy som er beregnet til den arbeidsoperasjonen du skal utføre. Riktig innmatings-hastighet er viktig for å utføre bedre og sikrere arbeide.
- b) Ikke bruk det elektriske håndverktøyet dersom ikke strømbryteren virker og verktøyet kan skrues av. Alle elektriske håndverktøy, som ikke kan kontrolleres med en strømbryter, er farlige og må repareres.
- c) Dra ut støpselet før du utfører justeringer, bytter tilbehør eller legger det elektriske håndverktøyet fra deg. Dette for å unngå at elektrisk håndverktøy får en ukontrollert start.
- e) Vedlikehold av elektrisk håndverktøy. Se til at verktøyet ikke er feilinnstilt, at bevegelige deler ikke beveger seg usymmetrisk, at ingen deler er skadet eller at det elektriske håndverktøyet har andre feil, som kan påvirke dets funksjon. Dersom noe er skadet må dette repareres før verktøyet tas i bruk. Mange ulykker skyldes dårlig eller manglende vedlikehold.f) Hold verktøyet rent. Påse også at det elektriske verktøyet holdes skarpt. Godt vedlikeholdt skjæreverktøy, med skarpe egger, er lettere å kontrollere.
- g) Følg instruksjonen, ta hensyn til arbeidsforholdene og den type arbeide som skal utføres. Bruk av elektrisk håndverktøy til andre arbeidsoperasjoner enn det det er beregnet til, kan skape farlige situasjoner.

#### **5) Service**

- a) La profesjonelle fagfolk utføre service og reparasjoner. Benytt kun originale reservedeler. Dette for å opprettholde sikkerheten ved bruk av det elektriske håndverktøyet.

## 2. Sikkerhetsadvarsler for sliping, pussing, børsting, polering eller kapping

- a) Dette elektriske håndverktøyet er beregnet for sliping, pussing, børsting, polering og kapping. Les alle sikkerhetsadvarsler, instruksjoner og spesifikasjoner som følger med dette verktøyet. Hvis du unngår å følge alle instruksjonene nedenfor kan det resultere i elektrisk støt, brann og/eller alvorlig skade.
- b) Polering anbefales ikke med dette elektriske håndverktøy. Hvis maskinen blir brukt til arbeid den ikke er konstruert for, kan dette forårsake fare og føre til personlig skade.
- c) Bruk ikke tilbehør som ikke er spesielt beregnet for verktøyet og anbefalt av verktøyprodusenten. Selv om tilbehøret kan monteres på ditt elektriske håndverktøy er det ingen forsikring om sikker bruk.
- d) Merke hastigheten på tilbehøret må minst tilsvare den maksimale hastigheten det elektriske håndverktøyet er merket med. Tilbehør som roterer raskere enn merkehastigheten kan gå i stykker.
- e) Den utvendige diameteren og tykkelsen på tilbehøret må være innenfor merkekapasiteten på det elektriske håndverktøyet. Feil størrelse på tilbehøret kan ikke beskyttes eller kontrolleres ordentlig.
- f) Akselstørrelsen på skiver, flenser og støtterondeller eller noe annet tilbehør må passe spindelen på ditt elektriske håndverktøy ordentlig. Tilbehør med festehull som ikke passer sammen med det monterte tilbehøret havner i ubalanse, vibrerer kraftig og kan føre til at du mister kontrollen.
- g) Bruk ikke tilbehør som er skadet. Kontroller tilbehøret og se om det finnes fliser eller sprekker på slipeskivene; Som sprekker, ujevnheter, slitasje på støtterondellen, eller løse eller ødelagte bust på stålborsterondellene. Hvis du mister ditt elektriske håndverktøy eller et tilbehør, kontroller om det er blitt skadet. Dersom det er skadet så monter et uskadet tilbehør. Etter inspeksjon og montering av et tilbehør, plasser deg selv og tilskuere utenfor maskinens risikoområde, og kjør det elektriske håndverktøyet på fullt turtall i et minutt. Skadet tilbehør går normalt i stykker under testperioden.
- h) Bruk personlig verneutstyr, avhengig av hvordan du bruker maskinen. Bruk støvmaske og vernebriller. Ved behov, bruk ansiktsmaske, hørselsvern, hansker og arbeidsforikle, som beskytter mot små slipepartikler eller fliser fra arbeidsstykket. Vernebrillene skal kunne beskytte mot flygende skrap, som dannes ved forskjellige arbeidsmoment. Støvmasken skal kunne filtrere partikler, som dannes ved arbeidet. Langvarig opphold i støy kan forårsake hørselskader.
- i) Hold tilskuere på behørig avstand fra arbeidsplassen. Alle som besøker arbeidsplassen må ha på seg personlig sikkerhetsutstyr. Fliser fra arbeidsstykket eller fra ødelagte tilbehør, kan bli slynget bort og forårsake skade utenfor arbeidets umiddelbare næringsområde.



- j) Hold det elektriske håndverktøyet kun på isolerte steder når du utfører en arbeidsoperasjon der kappeskiven kan komme i kontakt med skjulte kabler eller sin egen ledning.
- k) Plasser ledningen på avstand fra det roterende tilbehøret. Hvis du mister kontrollen kan ledningen kappes eller sette seg fast, og din hånd eller arm kan dras inn i det roterende tilbehøret.
- l) Legg aldri ifra deg det elektriske håndverktøyet før tilbehøret har stoppet helt. Det roterende tilbehøret kan feste seg i underlaget og kastes bort utenfor din kontroll.
- m) Kjør ikke det elektriske håndverktøyet når du bærer det med deg. Det roterende verktøyet kan feste seg i klærne og dras mot kroppen.
- n) Rengjør regelmessig motorens ventilasjonsåpninger. Motorens vifte trekker til seg støv, som kommer inn under dekselet. Overflødige metallspån samles opp og kan forårsake elektriske farer.
- o) Bruk ikke det elektriske håndverktøyet i nærheten av lettantennelige materialer. Gnister kan antenne disse materialene.
- p) Bruk ikke tilbehør som krever kjølevæsker. Bruken av vann eller andre kjølevæsker kan resultere i elektrisk sjokk eller dødelig elektrisk støt.

## Kast med tilhørende advarsler

Kast er en plutselig reaksjon på en klemt eller fastkjørt rondell, støtterondell, børste eller andre tilbehør. Klemming eller fastkjøring forårsaker en bråstopp av det roterende tilbehøret som i sin tur tvinger det elektriske håndverktøyet i motsatt retning av tilbehørets rotasjon ved fastkjøringspunktet.

For eksempel: Hvis en slipeskive setter seg fast i arbeidsstykket, kan kanten av slipeskiven få tak i arbeidsstykket og forårsake at slipeskiven graver seg ned og kastes opp. Slipeskiven kastes sannsynligvis mot eller bort fra brukeren, avhengig av rotasjonsretningen på slipeskiven når det setter seg fast. Slipeskiver kan også gå i stykker under disse omstendigheter.

Kast er resultatet av at det elektriske håndverktøyet brukes feil, til feil formål eller under feil forhold. Dette kan unngås ved å ta visse forhåndsregler: Se nedenfor!

- a) Hold godt fast i det elektriske håndverktøyet, og hold armene og kroppen slik at du kan parere kast. Bruk alltid hjelpehåndtaket hvis det finnes, for maksimal kontroll over kast eller reaksjonene på vridmomentet under oppstart. Kast eller reaksjoner på vridmomentet kan kontrolleres av brukeren hvis nødvendige forhåndsregler følges.
- b) Plasser aldri hånden nær det roterende tilbehøret. Tilbehøret kan få et kast over hånden.

- c) Still deg ikke i det området der det elektriske håndverktøyet kan tenkes å havne hvis det inntreffer et kast. Kast driver verktøyet i motsatt retning av tilbehørets rotasjon ved fastkjøringspunktet.
- d) Vær ekstra forsiktig når du bearbeider hjørner, skarpe kanter etc. Unngå å stusse med og sette fast tilbehøret. Hjørner, skarpe kanter og stussing har en tendens til å sette fast det roterende tilbehøret, og å forårsake kast eller at du mister kontrollen over verktøyet.
- e) Monter aldri fast et sagblad med sagkjede for trebearbeiding eller et tannet sagblad. Slike blad forårsaker frekvente kast, og gjør at du mister kontrollen.

### **Sikkerhetsadvarsler spesielt for sliping og kapping med kappeskive**

- a) Bruk kun skivetyper som er anbefalt for det elektriske håndverktøyet, og en spesiell beskyttelseshette beregnet for den valgte kappeskiven. Skiver, som ikke er beregnet for det elektriske håndverktøyet kan ikke beskyttes skikkelig, og det kan være farlig.
- b) Beskyttelseshetten skal monteres på det elektriske håndverktøyet på en sikker måte og innstilt for maksimal sikkerhet, slik at brukeren blir utsatt for så liten del av skiven som mulig.
- c) Skivene må kun brukes til de anbefalte arbeidsmomentene. For eksempel: Slip ikke med siden av en kappeskive. Kappeskiver er beregnet for sliping med kanten. Utsettes de for krefter fra siden, kan de splittes.
- d) Bruk alltid uskadede skiveflenser i riktig størrelse og form, for den skiven du har valgt. Riktige skiveflenser støtter skiven og minsker risikoen for at den skal gå i stykker. Flenser for kappeskiver, kan være forskjellige fra de som brukes for slipeskiver.
- e) Bruk aldri nedslitte skiver fra et større elektrisk håndverktøy. Skiver beregnet for større elektriske håndverktøy, passer ikke for det turtall som mindre verktøy har og det kan sprekke.

### **Ytterligere sikkerhetsadvarsler spesielt for kapping med kappeskive**

- a) Press ikke kappeskiven eller legg for mye trykk på den. Prøv ikke å kappe for dypt. Overbelastning av skiven, øker trykket og sjansene for at skiven kan vris eller sette seg fast i snittet, og risikoen for kast eller at skiven går i stykker.
- b) Still deg aldri i linje med eller bak den roterende skiven. Når skiven ved bruk beveger seg bort fra deg, kan et kast drive den roterende skiven og det elektriske håndverktøyet direkte mot deg.
- c) Når skiven setter seg fast eller hvis du av en eller annen grunn vil avbryte en kapping, så skru av det elektriske håndverktøyet, og hold det stille, til skiven har stoppet helt. Prøv aldri å fjerne kappeskiven fra sporet mens den er i bevegelse fordi kast da kan inntreffe. Undersøk og gjennomfør nødvendige tiltak for å minimere risikoen for at kappeskiven kan sette seg fast.

- d) Start ikke kappingen igjen med skiven i arbeidsstykket etter et stopp. La skiven nå fullt turtall først og før den deretter forsiktig i kappesporet. Skiven kan sette seg fast, vandre opp fra kappesporet eller forårsake kast hvis kappingen startes opp igjen i arbeidsstykket.
- e) Støtt store skiver eller andre store arbeidsstykker for å minimere risikoen for fastkjøring eller kast. Store skiver har en tendens til å bue seg av sin egen vekt. Støtte må plasseres under skiven av kappesporet og nær kanten på arbeidsstykket på begge sider av kappeskiven.
- f) Vær ekstra forsiktig ved innstikkingskapping i vegger eller andre gjenstander, der du ikke ser hvor du sager. Den utstikkende sageklingen kan sage i gass- eller vannledninger, strømkabler eller andre gjenstander som kan forårsake kast.

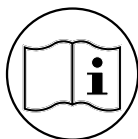
### Sikkerhetsadvarsler spesielt for pussing

- a) Bruk ikke for store sliperondeller. Følg produsentens anbefalinger når du velger sliperondeller. Større sliperondeller, som stikker ut utenfor støtterondellen, innebærer risiko for at rondellen slites i stykker, og at det kan inntreffe kast.

### Sikkerhetsadvarsler spesielt for stålborsting

- a) Tenk på at bust løsner fra stålborsterondellen selv ved normal bruk. Press ikke børsterondellen ved å legge for mye trykk på. Løs bust kan enkelt gå gjennom tynne klær eller hud.
- b) Om beskyttelseshetten er anbefalt ved stålborsting, påse at børsterondellen ikke kommer bort i beskyttelseshetten. Vær oppmerksom på at stålborsterondellen kan ekspandere av arbeidsbelastningen eller sentrifugalkraften.

## Produktmerking med sikkerhetssymboler

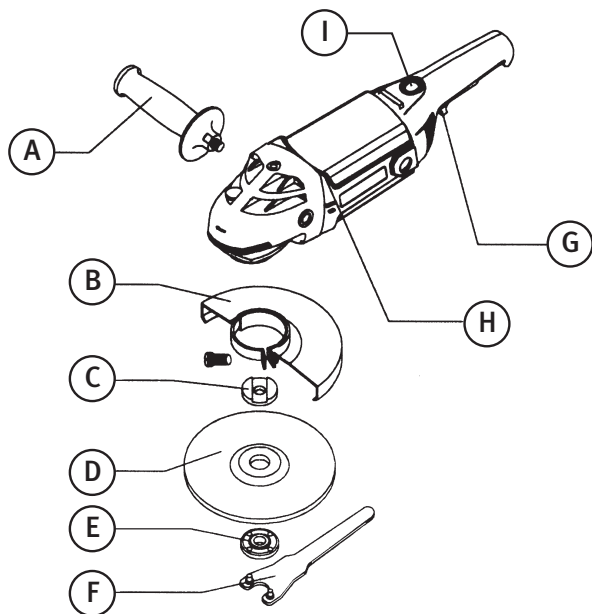


Les hele bruksanvisningen før du bruker produktet og spar den for framtidig bruk.



Bruk alltid hørselvern.  
Bruk alltid vernebrille og støv-/vernemaske.

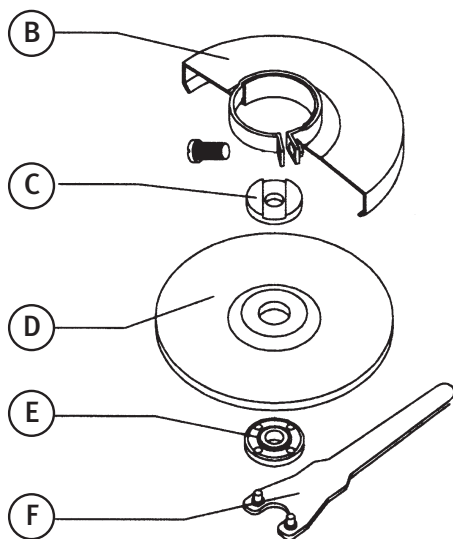
### 3. Beskrivelse



- A. Håndtak
- B. Beskyttelsesdeksel
- C. Indre flens
- D. Slipeskive (følger ikke med)
- E. Ytre flens
- F. Nøkkel
- G. Strømbryter
- H. Maskinkropp
- I. Sperreknapp for rotasjon av håndtak

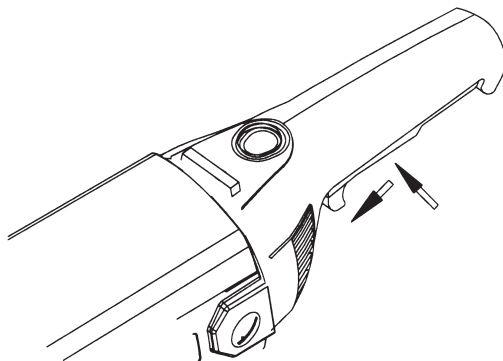
## 4. Montering

1. Monter håndtaket på den siden av maskinkroppen som er riktig for deg. Plasser gummipluggen i det hullet som ikke brukes. Det er tre mulige festepunkter for håndtaket.
2. Plasser den indre flensen (C) på spindelen og vri den slik at den sitter fast på spindelen.
3. Plasser en slipe-/kappskive (D) på spindelen. Påse at den er sentrert.
4. Skru på den ytre flensen (E) slik at den konkave siden kommer mot skiven.
5. Trykk spindellåsen inn og dra til flensen medurs med nøkkelen (F).
6. Start vinkelslipemaskinen og la den gå en stund, så du får kontrollert at skiven er balansert, før du begynner å slippe.

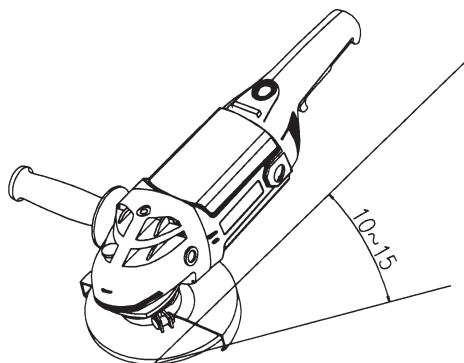


## 5. Bruk

- La slipemaskinen komme opp i riktig turtall før du starter sliping.
  - Stå plassert slik at du har god oversikt over sliping.
  - Kappskivens sider tåler ikke trykk fra siden. Du må derfor ikke slipe med skivens sider.
  - Ved kapping av stein og lignende må det benyttes diamantskive.
  - Kappskiven er kun beregnet for rette snitt.
  - Hold ventilasjonsåpningene rene og åpne slik at motoren får kjøling. Hvis ikke kan den bli overopphetet og motoren gå i stykker.
1. Hold kroppen i god balanse og hold maskinen med begge hendene, mens du jobber med den.
  2. Trykk først strømbryteren framover, deretter oppover.



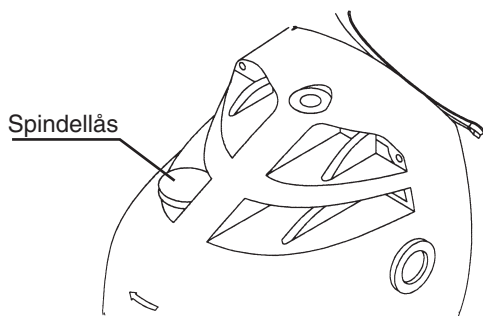
3. Maskinen skrur av ved å slippe opp strømbryteren.
4. Best jobber vinkelsliperen når den holdes i en vinkel på ca  $10^{\circ}$  til  $15^{\circ}$ .



## 6. Bytte av slipeskive

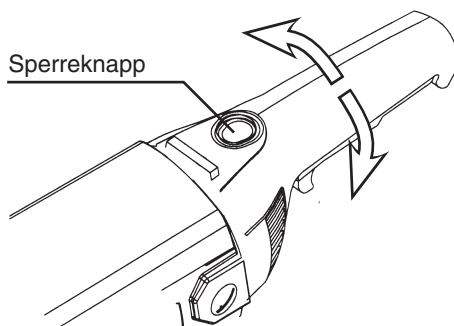
Slipeskiven skal ha riktig indre diameter. Bruk aldri løse bussinger. De må være godkjente for et omdreiningstall på 8500 omdreininger/minutt.

1. Dra ut strømledningens støpsel fra uttaket før bytte av slipeskive.
2. Aktiver spindellåsen og skru løs den ytre flensen fra spindelen.
3. Fjern den gamle slipeskiven og sett den nye på plass.
4. Monter i omvendt rekkefølge.
5. Start vinkelslipemaskinen og la den gå en stund for å kontrollere at slipeskiven er balansert, før du begynner å slippe.



## 7. Dreie det bakerste håndtaket

1. Dra ut stikket før du dreier håndtaket.
2. Trykk inn sperreknappen før dreining av håndtaket.
3. Drei håndtaket til en av de 3 faste stillingene.
4. Slipp sperreknappen og påse at håndtaket fester seg i den ønskede stillingen. Du skal da høre et "klikk".



## 8. Vedlikehold og reparasjon

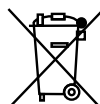
- Hold alltid ventilasjonsåpningene frie for spon og støv.
- Rengjør maskinen regelmessig med en lett fuktet klut. Unngå sterke rengjøringsmidler og løsemidler.

## 9. Feilsøkingsskjema

Problem	Mulig årsak	Tiltak
Maskinen går ikke.	Ingen strøm.	Kontroller at uttaket er strømførende.
	Slitte kullbørster.	Kontakt forhandler ved feil på motor eller det elektriske.
	Kortslutning.	
	Feil på strømbryteren.	
Maskinen går sakte.	Sløvt eller skadet verktøy.	Slip eller skift ut verktøy.
	For lavt turtall.	Ikke mat så hardt.
	Motoren er overopphetet.	
Maskinen har ulyd.	Mekanisk hindring.	Kontakt forhandler ved feil på motor eller det elektriske.
	Kabel er delvis kortsluttet.	
Sterke vibrasjoner.	Verktøyet er ikke skikkelig festet.	Dra til festemutter for verktøy og påse at verktøy er riktig montert.
Gnistdannelse i motoren.	Kullbørstene sitter fast.	Kontakt forhandler ved feil på motor eller det elektriske.
	Kabelen er kortsluttet.	
	Kollektoren er full av støv.	

## 10. Avfallshåndtering

Når du skal kaste dette produktet, skal det skje i henhold til gjeldende lokale forskrifter. Dersom du er usikker på reglene, kontakt de lokale myndigheter for mer informasjon.



## 11. Spesifikasjoner

Spenning:	230 V AC, 50 Hz
Effekt:	1800 W
Turtall (ubelastet):	8500 o/min
Slipeskive:	Ø 180 mm, hull Ø 22 mm
Lyd:	L <sub>PA</sub> 95 dB(A)
	L <sub>WA</sub> 108 dB(A)
Vibrasjon:	4,7 m/s <sup>2</sup>
Vekt:	4,7 kg (uten slipeskive)



# Kulmahiomakone

## TUOTENUMERO 30-9316, MALLI CT3234

Lue käyttöohjeet ennen tuotteen käyttöönottoa. Säilytä käyttöohjeet tulevaa tarvetta varten. Pidätämme oikeuden teknisten tietojen muutoksiin. Emme vastaa mahdollisista teksti- tai kuvavirheistä. Jos laitteeseen tulee teknisiä ongelmia, ota yhteys myymälään tai asiakaspalveluun (yhteystiedot käyttöohjeen lopussa).

## Sisällysluettelo

Turvallisuusohjeita	32
Tuotekuvaus	49
Asennus	50
Käyttö	51
Hiomalaikan vaihto	52
Taaemman kädensijan kääntö	52
Huolto ja ylläpito	53
Vianhakutaulukko	53
Kierrätys	53
Tekniset tiedot	53

# 1. Yleisiä turvallisuusohjeita

**Varoitus!** Lue kaikki ohjeet. Seuraavien ohjeiden noudattamatta jättäminen saattaa johtaa sähköiskuun, tulipaloon ja/tai vakavaan onnettomuuteen. Varoitus tekstien termi ”sähkökäyttöinen käsityökalu” tarkoittaa sinun verkkovirralla tai paristoilla/akulla toimivaa käsityökaluasi.

## 1) Työtila

- a) Pidä työtilat puhtaina ja hyvin valaistuin. Täynnä tavaraa olevat ja pimeät tilat ovat avoin kutsu onnettomuudelle.
- b) Älä käytä sähkökäyttöisiä käsityökaluja räjähdysherkässä ympäristössä, kuten helposti syttyvien nesteiden, kaasujen tai pölyn lähellä. Sähkökäyttöiset käsityökalut muodostavat kipinöitä, jotka saattavat sytyttää pölyn tai höyryt.
- c) Pidä lapset ja vierailijat loitolla, kun käytät sähkökäyttöisiä käsityökaluja. Häiriötekijät saattavat johtaa laitteen hallinnan menettämiseen.

## 2) Sähköturvallisuus

- a) Sähkökäyttöisen käsityökalun pistokkeen tulee sopia pistorasiaan. Älä muuta pistoketta millään tavalla. Älä käytä adapteria maadoitettujen sähkökäyttöisten sähkötyökalujen kanssa. Pistokkeet, joita ei ole muutettu sekä sopivat pistorasiat pienentävät sähköiskun vaaraa.
- b) Vältä koskettamasta maadoitettuja esineitä, kuten putkia, lämpöpattereita, hellaa tai jääkaappia. Sähköiskun riski kasvaa, mikäli kehosi on maadoitettu.
- c) Älä altista sähkökäyttöistä käsityökalua sateelle, äläkä käytä sitä kosteissa olosuhteissa. Veden joutuminen sähkökäyttöiseen käsityökaluun lisää sähköiskun vaaraa.
- d) Käsittele sähköjohtoa varoen. Älä käytä sähköjohtoa laitteen kantamiseen, äläkä irrota pistoketta pistorasiasta johdosta vetämällä. Älä altista virtajohtoa kuumuudelle, öljyille, teräville reunoille tai liikkuville osille. Vioittuneet tai sotkeutuneet virtajohdot lisäävät sähköiskun vaaraa.
- e) Kun käytät sähkökäyttöistä käsityökalua ulkona, käytä ainoastaan ulkokäyttöön sopivia jatkojohtoja. Ulkokäyttöön sopivan jatkojohdon käyttäminen pienentää sähköiskun vaaraa.

## 3) Oma turvallisuutesi

- a) Ole huolellinen ja käytä tervettä järkeä kun työskentelet sähkökäyttöisellä käsityökalulla. Älä käytä sähkökäyttöistä käsityökalua, mikäli olet väsynyt tai huumeiden, lääkkeiden tai alkoholin vaikutuksen alaisena. Lyhyenkin hetken kestävä tarkkaavaisuuden herpaantuminen saattaa johtaa vakavaan loukkaantumiseen.

- b) Käytä suojavarusteita. Käytä aina suojalaseja. Suojavarusteiden, kuten hengityssuojaimen, liukuestekenkien, kypärän ja kuulosuojaimien käyttäminen vähentää loukkaantumisvaaraa.
- c) Vältä tahatonta käynnistystä. Varmista, että virtakytkin on asennossa ”OFF” ennen kuin liität pistokkeen seinäpistorasiaan. On äärimmäisen vaarallista kantaa sähkökäyttöistä käsityökalua sormi liipaisimella tai liittää sähkökäyttöinen käsityökalu pistorasiaan virtakytkimen ollessa ”ON”-asennossa.
- d) Poista kaikki huoltotyökalut/avaimet ennen kuin käynnistät sähkökäyttöisen käsityökalun. Sähkökäyttöisen käsityökalun liikkuvan osan päälle unohdettu työkalu saattaa johtaa onnettomuuteen.
- e) Älä kurota liian kauas. Varmista, että työasentosi on tasapainoinen työn jokaisessa vaiheessa. Näin olet paremmin varustautunut mahdollisen onnettomuuden sattuessa.
- f) Käytä sopivia vaatteita. Älä käytä löysiä vaatteita tai koruja. Pidä hiukset, vaatteet ja käsineet loitolla liikkuvista osista. Löysät vaatteet, korut tai pitkät hiukset saattavat juuttua liikkuviin osiin.
- g) Jos käytössäsi on pölynpoistojärjestelmä, käytä sitä. Näiden apuvälineiden käyttö saattaa vähentää pölyyn liittyviä vaaroja.

#### **4) Sähkökäyttöisten käsityökalujen käyttäminen ja huoltaminen**

- a) Älä pakota sähkökäyttöistä käsityökalua. Käytä sähkökäyttöistä käsityökalua, joka soveltuu suunnittelemaasi työtehtävään. Sopiva sähkökäyttöinen käsityökalu tekee työn paremmin ja turvallisemmin oikealla syöttönopeudella.
- b) Älä käytä sähkökäyttöistä käsityökalua, mikäli virtakytkin ei käynnistä ja sammuta laitetta. Kaikki sähkökäyttöiset käsityökalut, joita ei voida hallita virtakytkimellä, ovat vaarallisia ja ne tulee korjata.
- c) Irrota pistoke pistorasiasta ennen kuin teet sähkökäyttöiseen käsityökaluun säätöjä tai ennen kuin vaihdat sen varusteita tai ennen kuin asetat sen säilytykseen. Nämä ennaltaehkäisevät toimenpiteet vähentävät sähkökäyttöisen käsityökalun tahatonta käynnistymistä.
- d) Säilytä sähkökäyttöisiä käsityökaluja lasten ulottumattomissa. Älä luovuta sähkökäyttöistä käsityökalua henkilöille, jotka eivät tunne sitä tai sen käyttöohjetta. Sähkökäyttöiset käsityökalut ovat vaarallisia tottumattomien käyttäjien käsissä.
- e) Huolla sähkökäyttöisiä käsityökaluja. Tarkasta, että säädöt ovat kunnossa, että liikkuvat osat liikkuvat esteettä, että osat ovat ehjiä, ja että sähkökäyttöisessä käsityökalussa ei ole muita seikkoja, jotka vaikuttavat laitteen toimintaan. Jos jokin osa on vioittunut, se tulee korjata ennen käyttöä. Monet onnettomuudet johtuvat väärin hoidetuista sähkökäyttöisistä käsityökaluista.
- f) Pidä työkalut puhtaina ja terävinä. Terätyökalun hallinta on helpompaa, kun se on oikein hoidettu ja sen terät ovat teräviä.

- g) Käytä sähkökäyttöistä käsityökalua, sen varusteita tms. ohjeiden mukaisesti ja sellaisella tavalla, joka sopii kyseiselle sähkökäyttöiselle käsityökalulle ja ota myös huomioon työskentelyolosuhteet ja suoritettava työ. Sähkökäyttöisen käsityökalun käyttäminen muihin kuin sille tarkoitettuihin työtehtäviin saattaa johtaa vaaratilanteeseen.

## 5) Huolto

- a) Laitteen saa huoltaa ja korjata ainoastaan ammattihenkilö ja huollossa tulee käyttää ainoastaan alkuperäisosia. Näin taataan sähkökäyttöisen käsityökalun turvallisuus.

## 2. Hiontaa, puhdistusta, harjausta ja katkaisua koskevia turvallisuusohjeita

- a) Tämä sähkökäyttöinen käsityökalu on tarkoitettu hiontaan, puhdistukseen, harjaukseen ja katkaisuun. Lue kaikki laitteen mukana tulevat varoitukset, ohjeet, kuvitukset ja tekniset tiedot. Ohjeiden noudattamatta jättäminen saattaa johtaa sähköiskuun, tulipaloon tai vakavaan loukkaantumiseen.
- b) Kiillotusta ei suositella tehtäväksi tällä koneella. Työt, joita ei ole tarkoitettu suoritettavaksi tällä laitteella, saattavat aiheuttaa vaaratilanteen tai käyttäjän loukkaantumisen.
- c) Käytä ainoastaan valmistajan hyväksymiä ja suosittelemia tarvikkeita. Vaikka varuste voidaan asentaa laitteeseen, sen käyttö ei silti välttämättä ole turvallista.
- d) Varusteen ilmoitetun kierrosnopeuden tulee vastata vähintään sähkökäyttöisen käsityökalun suurinta kierrosnopeutta. Varusteet, jotka pyörivät niiden suurinta sallittua kierrosnopeutta nopeammin, saattavat vahingoittaa ja hajota pieniin osiin.
- e) Varusteen ulkohalkaisija ja paksuus ei saa ylittää sähkökäyttöisen käsityökalun ilmoitettu kapasiteettia. Liian ison varusteen käyttäminen tekee laitteen käsittelystä vaikeaa ja heikentää turvallisuutta.
- f) Laikkojen, laippojen, tukilaikkojen tms. akselin tulee sopia laitteen karaan, jotta laitteen käsittely on turvallista. Varusteet, joiden kiinnitysreiät eivät sovi asennettuun varusteeseen tärisyvät voimakkaasti, käyvät epätasaisesti ja saattavat johtaa laitteen hallinnan menettämiseen.
- g) Älä käytä viallisia varusteita. Tarkasta varusteet: Hiomalaikoissa ei saa olla irrallisia osasia tai halkeamia, tukilaikoissa ei saa olla halkeamia, koloja tai kulumaa, teräslankaharjoissa ei saa olla irrallisia tai vioittuneita harjaksia. Mikäli sähkökäyttöinen laite tai jokin varuste putoaa, varmista etteivät ne ole vioittuneet. Tarkasta ja asenna varuste, sijoitu koneen vaara-alueen ulkopuolelle (koskee myös sivullisia) ja käytä laitetta täysillä kierroksilla yhden minuutin ajan. Vioittunut varuste hajoaa yleensä testin aikana.

- h) Käytä henkilökohtaisia suojavarusteita. Käytä kasvosuojusta tai suojalaseja koneen käyttötavasta riippuen. Käytä tarvittaessa sellaisia suojavarusteita (kasvo- ja kuulosuojain, käsineet ja työesiliina), jotka suojaavat työkappaleesta irtoavilta pieniltä hiontakappaleilta ja paloilta. Silmäsuojuksen tulee suojata lentäviltä osilta, joita syntyy eri työvaiheissa. Hengityssuojaimen tulee suodattaa työssä syntyvät hiukkaset. Pitkäaikainen oleilu meluisassa ympäristössä saattaa aiheuttaa kuulovaurioita.
- i) Pidä vierailijat riittävän kaukana työpisteestä. Kaikkien työpisteessä oleskelevien tulee käyttää henkilökohtaisia suojavarusteita. Työkappaleesta tai viallisesta varusteesta lentävät lastut saattavat aiheuttaa vahinkoa myös työpisteen ulkopuolella.
- j) Pidä kiinni ainoastaan laitteen eristetyistä pinnoista, kun työskentelet alueilla, jossa laikka voi joutua kosketuksiin piilossa olevien kaapeleiden tai laitteen virtajohdon kanssa. Jos laikka joutuu kosketuksiin virtaa johtavan kaapelin kanssa, laitteen metalliosat saattavat tulla jännitteisiksi, mikä aiheuttaa käyttäjälle sähköiskun vaaran.
- k) Sijoita virtajohto siten, että se ei joudu pyörivän varusteen läheisyyteen. Mikäli menetät laitteen hallinnan, johto saattaa katketa tai jumittua ja kätesi saattaa joutua pyörivään varusteeseen.
- l) Älä laske sähkökäyttöistä käsityökalua käsistäsi ennen kuin se on lakannut kokonaan pyörimästä. Pyörivä varuste saattaa tarttua alustaan ja aiheuttaa laitteen hallitsemattoman liikkumisen.
- m) Älä käytä sähkökäyttöistä käsityökalua samanaikaisesti kun kannat sitä. Tahanon kosketus pyörivään varusteeseen saattaa aiheuttaa laitteen juuttumisen vaatteisiin ja käyttäjään.
- n) Puhdista moottorin ilmastointiaukot säännöllisesti. Moottorin puhallin kerää pölyä, joka kerääntyy kotelon alle. Laitteeseen kerääntyvä metallijäte saattaa aiheuttaa turvallisuusriskin.
- o) Älä käytä sähkökäyttöistä käsityökalua helposti syttyvien materiaalien läheisyydessä. Kipinöinti saattaa aiheuttaa näiden materiaalien syttymisen.
- p) Älä käytä varusteita, jotka vaativat jäähdytysnesteitä. Veden tai muiden jäähdytysnesteiden käyttö saattaa johtaa hengenvaaralliseen sähköiskuun.

## Takapotku ja sitä koskevat varoitukset

Takapotku on äkillinen ilmiö, joka tapahtuu silloin, kun laikka, tukilaikka, harja tai jokin muu varuste juuttuu äkillisesti. Puristuminen tai juuttuminen aiheuttaa pyörivän varusteen nopean pysähtymisen, mikä johtaa siihen, että sähkökäyttöinen käsityökalu muuttuu äkillisesti liikesuuntaa varusteen pyörimissuunnan vastaiseksi.

**Esimerkki:** hiomalaikka jumittuu tai puristuu työkappaleeseen, mikä saattaa aiheuttaa sen, että hiomalaikan reuna osuu työkappaleeseen ja aiheuttaa sen, että hiomalaikka kaivautuu työkappaleeseen tai lennähtää ylöspäin. Hiomalaikka lennähtää joko pois päin käyttäjistä tai kohti käyttäjää riippuen hiomalaikan pyörimissuunnasta sen juutuessa. Hiomalaikka voi myös hajota tietyissä tapauksissa.

Takapotkun riski kasvaa, jos sähkökäyttöistä käsityökalua käytetään väärällä tavalla, väärään tarkoitukseen tai väärissä olosuhteissa, mutta se voidaan välttää noudattamalla alla olevia turvallisuusohjeita.

- a) Pidä tukevasti kiinni sähkökäyttöisestä käsityökalusta ja pidä käsiä ja vartaloa siten, että pystyt reagoimaan mahdolliseen takapotkuun. Käytä aina laitteen mahdollista apukahvaa, sillä sen käyttäminen lisää laitteen hallittavuutta takapotkun tai käynnistyessä tapahtuvan nykäyksen aikana. Takapotku tai käynnistyksessä tapahtuva vääntömomentin nykäisy voidaan hallita paremmin, jos käyttäjä noudattaa turvallisuusohjeita.
- b) Älä sijoita käsiäsi koskaan pyörivän varusteen läheisyyteen. Laite saattaa lennähtää kädestäsi.
- c) Älä asetu sille paikalle, jonne sähkökäyttöinen käsityökalu todennäköisesti lentää takapotkun sattuessa. Työkalu lentää takapotkun vaikutuksesta varusteen pyörimissuuntaan nähden vastakkaiseen suuntaan juuttumispisteestä.
- d) Noudata erityistä varovaisuutta kun työskentelet kulmien, terävien reunojen tms. kanssa. Varo varusteen kimpoamista ja juuttumista. Kulmat, terävät reunat ja kimpoaminen saattavat aiheuttaa pyörivän varusteen juuttumisen sekä takapotkun tai työkalun hallinnan menettämisen.
- e) Älä asenna puun työstöön sahanterää, jossa on teräketju tai sahanterää, jossa on hampaat. Tällaiset terät aiheuttavat usein takapotkun ja laitteen hallinnan menettämisen.

## **Katkaisulaikalla tapahtuvaa hiontaa ja katkaisua koskevia turvallisuusohjeita**

- a) Käytä ainoastaan sähkökäyttöiseen käsityökaluun sopivia laikkatyppejä ja käyttämäsi laikkaan sopivaa laikansuojusta. Laikkoja, joita ei ole tarkoitettu käsikäyttöisille sähkötyökaluille, ei voida suojata kunnolla, ja niiden käyttö voi olla vaarallista.
- b) Laikan suojus tulee asentaa sähkökäyttöiseen käsityökaluun turvallisella tavalla ja siten, että suojus antaa parhaan mahdollisen suojan siten, että käyttäjä altistuu mahdollisimman pienelle osalle laikkaa. Laikan suojus suojaaa käyttäjää viallisilta laikoilta ja tahattomalta kontaktilta laikan kanssa.
- c) Laikkoja saa käyttää ainoastaan niille tarkoitettuihin työtehtäviin. Esimerkki: Älä hio laikan sivulla. Hio katkaisulaikan kehällä. Laikka saattaa hajota, mikäli siihen kohdistuu painetta sivulta.

- d) Käytä aina ehjiä sekä valitsemaasi laikkaan sopivia oikean kokoisia ja muotoisia levylaippoja. Sopiva laippa tukee laikkaa ja vähentää se hajoamisriskiä. Katkaisulaikkojen laipat saattavat erota hiomalaikkojen laipoista.
- e) Älä käytä suuremmassa sähkökäyttöisessä käsityökalussa käytettyjä kuluneita laikkoja. Suurempiin sähkökäyttöisiin käsityökaluihin tarkoitetut laikat eivät kierrosluvun takia sovellu pienempiin laitteisiin, vaan ne saattavat hajota.

### **Erityisesti katkaisulaikkaa koskevia turvallisuusohjeita**

- a) Älä pakota katkaisulaikkaa, älä kohdistu siihen liikaa painetta. Älä yritä leikata liian syvälle. Laikan ylikuormitus lisää painetta. Laikalla on myös suurempi riski taittua tai juuttua leikkauskohtaan. Myös takapotkun ja laikan hajoamisen riski kasvaa.
- b) Älä seiso linjassa pyörivän laikan kanssa. Kun laikka käytön aikana liikkuu pois päin käyttäjästä, takapotku saattaa heittää pyörivän laikan ja sähkökäyttöisen käsityökalun suoraan käyttäjää kohti.
- c) Jos laikka juuttuu tai jos jostain syystä haluat keskeyttää katkaisun, sammuta sähkökäyttöinen käsityökalu ja pidä siitä kiinni kunnes se on täysin pysähtynyt. Älä yritä irrottaa katkaisulaikkaa leikkausurasta laikan pyöriessä, sillä se saattaa aiheuttaa takapotkun. Suunnittele työ huolella ja noudata riittäviä turvallisuusohjeita pienentääksesi laikan jumittumisen riskiä.
- d) Älä käynnistä sähkökäyttöistä käsityökalua laikan ollessa kiinni työkappaleessa. Anna laikan kiihtyä täysille kierroksille ja aloita leikkaaminen varovasti leikkauskohdasta. Laikka saattaa juuttua, liikkua ylös leikkauskohdassa tai aiheuttaa takapotkun, mikäli laite käynnistetään laikan ollessa leikkauskohdassa.
- e) Tue suuria levyjä ja työkappaleita, niin laikan juuttumisen ja takapotkun riski pienenee. Suurilla levyillä on taipumus taipua omasta painostaan. Tuen tulee olla levyn alla leikkauskohdan alla sekä työkappaleen reunojen lähellä leikkauskohdan kummallakin puolella.
- f) Ole erityisen tarkkana, kun työstät seiniä tai muita kohteita, joita et näe. Ulostuleva terä saattaa leikata kaasui- tai vesiputkia, sähköjohtoja tai muita esineitä, jotka saattavat aiheuttaa takapotkun.

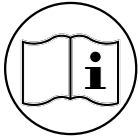
## Erityisesti puhdistamista koskevia turvaohjeita

- a) Älä käytä liian suuria hiomalaikkoja. Noudata valmistajan suosituksia hiomalaikkaa valitessasi. Suuret hiontalaikat, jotka pistävät ulos tukilaikasta lisäävät rikkikuluminen vaaraa ja saattavat aiheuttaa laikan juuttumisen, hajoamisen tai takapotkun.

## Erityisesti teräsharjasta koskevia turvaohjeita

- a) Ota huomioon, että teräsharjasta irtoaa harjaksia myös normaalissa käytössä. Älä pakota harjalaikkaa kohdistamalla siihen liikaa painetta. Irralliset harjat saattavat helposti läpäistä ohuita vaatteita tai ihon.
- b) Mikäli teräsharjauksessa suositellaan laikansuojusta, varmista, että teräsharja ei kosketa laikan suojukseen. Teräsharjalaikka saattaa laajentua kuorituksen tai keskipakoisvoiman vaikutuksesta.

## Tuotteen merkinnät ja turvallisuussymbolit



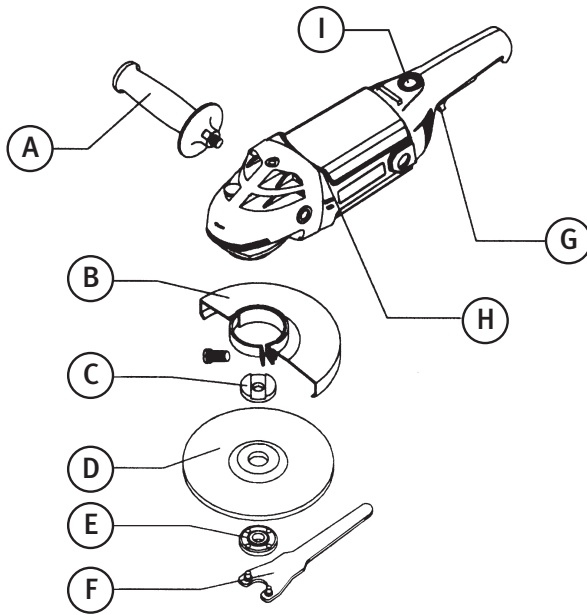
Lue käyttöohje huolellisesti ennen käyttöä ja säilytä se vastaisuuden varalle.



Käytä kuulosuojaimia hengityssuojainta.  
Käytä visiiriä tai suojalaseja.



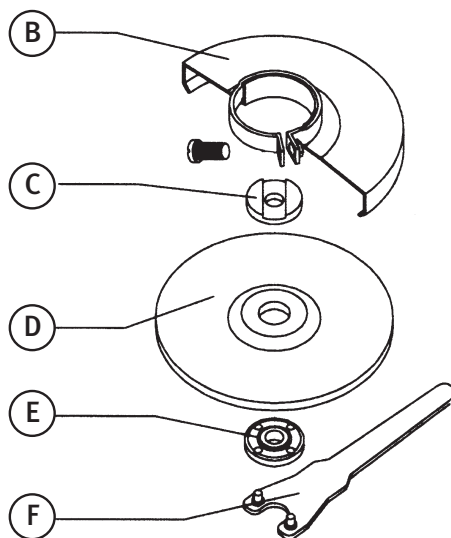
### 3. Tuotekuvaus



- A. Kahva
- B. Laikan suojus
- C. Sisempi laippa
- D. Hiomalevy
- E. Ulompi laippa
- F. Avain
- G. Virtakytkin
- H. Kotelo
- I. Kädensijan lukitus

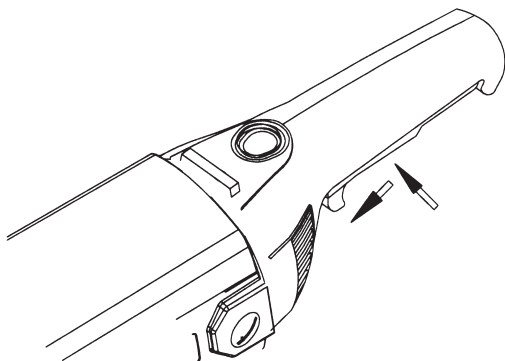
## 4. Asennus

1. Asenna sivukahva vaihteiston sille puolelle, mikä tuntuu paremmalta. Laita kumitulppa siihen reikään, jota ei käytetä. Kolme eri asennusmahdollisuutta.
2. Aseta sisempi kierteetön laippa (C) karaan siten että se lukittuu.
3. Aseta hioma-/katkaisulaikka (D) karaan siten, että se pyörii.
4. Kierrä ulompi laippa (E) siten, että kovera puoli on laikkaa vasten.
5. Paina karalukko ja kiristä laippaa myötäpäivään mukana tulevalla avaimella.
6. Käynnistä kulmahiomakone ja anna sen käydä hetki ennen työn aloittamista. Näin varmistetaan, että laikka on tasapainossa.

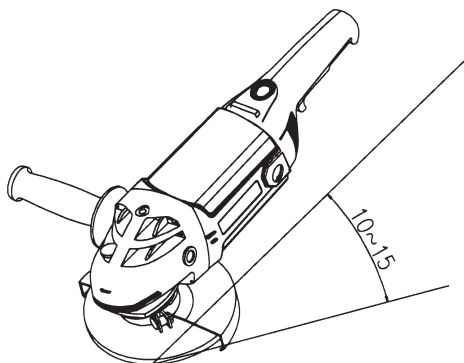


## 5. Käyttö

- Anna laitteen saavuttaa täydet kierrosluvut ennen hionnan aloittamista.
  - Seiso niin, että pystyt seuraamaan hiontaa ilman esteitä.
  - Älä käytä katkaisulaikkoja hiontaan, ne eivät kestä painetta sivulta.
  - Käytä kivien ja kiviainesten työstöön timanttilaikkoja.
  - Älä kallista kulmahiomakonetta leikkauksen aikana, tee katkaisulaikalla ainoastaan suoria leikkauksia.
  - Pidä ilmastointiaukot puhtaina, jotta moottori ei ylikuumene.
1. Seiso tukevasti ja pidä kiinni laitteesta molemmin käsin.
  2. Paina virtakytkintä eteenpäin ja sen jälkeen hiljaa ylöspäin.



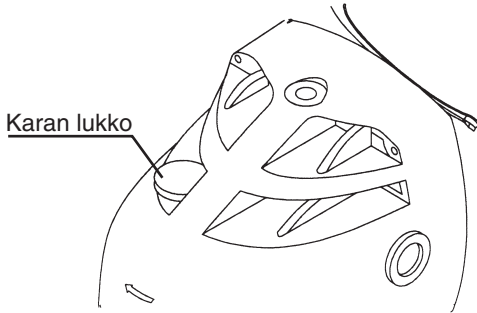
3. Sammuta laite päästämällä virtakytkin.
4. Paras hiontakulma on noin 10 - 15°.



## 6. Hiomalaikan vaihto

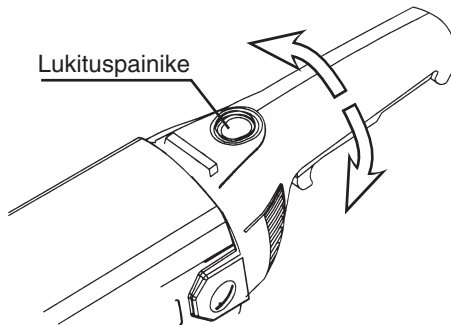
Hiomalaikassa tulee olla oikea sisähalkaisija, älä käytä irrallisia holkkeja. Laikan hyväksyty kieroisluku tulee olla vähintään 8500 k/min.

1. Irrota virtajohdon pistoke pistorasiasta ennen laikan vaihtoa!
2. Aktivoi karalukko, irrota karan mutteri ja ulompi laippa karasta.
3. Poista vanha hiomalaikka ja aseta uusi tilalle.
4. Kokoa käänteisessä järjestyksessä purkamiseen nähden.
5. Seiso kulmahiomakoneen vieressä kun käynnistät koneen. Anna koneen käydä hetken ajan ennen hionnan aloittamista varmistaaksesi, että laikka on tasapainossa.



## 7. Pyöritä takakahvaa

1. Irrota virtajohto ennen kahvan pyörittämistä.
2. Paina kahvan pyörimisen lukitsinta.
3. Pyöritä kahvaa johonkin kolmesta kiinteästä tilasta.
4. Päästä lukitsinpainike ja varmista, että kahva lukittuu.



## 8. Huolto ja ylläpito

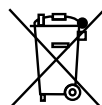
Pidä moottorin tuuletusaukot puhtaina, poista mahdolliset purut, roskat ym. Kuivaa ulkopuolelta kevyesti kostutetulla liinalla. Älä käytä liuotainaineita tai hankaavia puhdistusaineita.

## 9. Vianhakutaulukko

Ongelma	Mahdollinen syy	Toimenpiteet
Laite ei käy.	Ei virtaa.	Varmista, että pistorasiassa on virtaa.
	Kuluneet hiiliharjat.	Ota yhteys myymälään, jos laitteessa on moottori- tai sähkövika.
	Oikosulku.	
	Virtakytkimessä vikaa.	
Laite käy hitaasti.	Tylsä/viallinen työkalu.	Hio tai vaihda terä.
	Liian alhainen kierrosluku.	Älä syötä liian kovaa.
	Moottori on ylikuumentunut.	
Epätavallisia ääniä.	Mekaaninen este.	Ota yhteys myymälään, jos laitteessa on moottori- tai sähkövika.
	Käämi osittain oikosulussa.	
Laite tärisee voimakkaasti.	Työkalu on löysästi kiinni.	Kiristä työkalu ja varmista, että se on asennettu oikein.
Moottori kipinöi.	Hiiliharjat juuttuneet.	Ota yhteys myymälään, jos laitteessa on moottori- tai sähkövika.
	Käämi oikosulussa.	
	Kollektori on likainen.	

## 10. Kierrätys

Kierrätä tuote asianmukaisesti, kun poistat sen käytöstä. Ota yhteys kuntasi jäteneuvontaan, mikäli olet epävarma.



## 11. Tekniset tiedot

Nimellisjännite:	230 VAC, 50 Hz
Teho:	1800 W
Kuormittamaton kierrosluku:	8500 kierrosta minuutissa
Hiomalaikka:	Ø 180 mm, reikä Ø 22 mm
Melutaso:	LPA 95 dB(A) LWA 108 dB(A)
Tärinä:	4,7 m/s <sup>2</sup>
Paino:	4,7 kg (ilman laikkaa)

# Declaration of Conformity



Hereby, Clas Ohlson AB, declares that the machinery:

**Angle Grinder Cotech**

**30-9316 / CT3234**

Complies with the provisions of the following Directives:

98/37/EC	Machinery
2006/95/EC	LOW VOLTAGE EQUIPMENT
89/336/EEC	EMC

Insjön, Sweden, February 2008

A handwritten signature in black ink, appearing to read 'Klas Balkow', with a long horizontal flourish extending to the right.

**Klas Balkow**  
President

Clas Ohlson, 793 85 Insjön, Sweden





## SVERIGE

---

KUNDTJÄNST      Tel: 0247/445 00  
Fax: 0247/445 09  
E-post: kundtjanst@clasohlson.se

INTERNET      [www.clasohlson.se](http://www.clasohlson.se)

BREV      Clas Ohlson AB, 793 85 INSJÖN

## NORGE

---

KUNDESENTER      Tlf.: 23 21 40 00  
Faks: 23 21 40 80  
E-post: kundesenter@clasohlson.no

INTERNETT      [www.clasohlson.no](http://www.clasohlson.no)

POST      Clas Ohlson AS, Postboks 485 Sentrum, 0105 OSLO

## SUOMI

---

ASIAKASPALVELU      Puh: 020 111 2222  
Faksi: 020 111 2221  
Sähköposti: info@clasohlson.fi

INTERNET      [www.clasohlson.fi](http://www.clasohlson.fi)

OSOITE      Clas Ohlson Oy, Yrjönkatu 23 A, 00100 HELSINKI

## UNITED KINGDOM

---

For consumer contact, please visit  
[www.clasohlson.co.uk](http://www.clasohlson.co.uk) and click on  
customer service.

INTERNET      [www.clasohlson.co.uk](http://www.clasohlson.co.uk)