

# Stereo System

Musikanläggning

Musikkanlegg

Ministereo



**Art.no**

18-8148

38-3511

**Model**

KS-3398F-UK

KS-3398F

Ver. 201004

English

Svenska

Norsk

Suomi

# clas ohlson



# Stereo System

Art. No. 18-8148  
38-3511

Model KS-3398F-UK  
KS-3398F

Read through the entire instructions carefully before using your music centre and keep them for future use. We disclaim all responsibility for any errors in texts, pictures and diagrams, or modifications of technical data. For technical problems or other questions please contact our Customer Service (see address information on reverse side).

## 1. Rules of safety

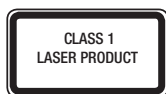
- The product may only be repaired by qualified service personnel.
- The product must not be taken apart or modified.
- Do not cover the equipment. Adequate ventilation, with at least 15 cm between the ventilation openings and surrounding surfaces are necessary to prevent overheating.
- Remove batteries if you do not intend to use the music centre for an extended period to prevent leakage from the battery. The components inside the casing carry dangerous live voltage unprotected. Contact with them can cause fire or electric shock.
- The product is intended exclusively for indoor use.
- Never expose your music centre to high temperatures, a dusty environment, strong vibrations, knocks, moisture, or liquids. Do not place any objects that contain liquids onto the music centre, e.g., a flowerpot or a soft drink bottle.
- Never place the music centre in such a way that it could fall into water or other liquids.
- Shut down the power supply to the music centre by removing the plug from the wall socket. The music centre plug must be easily accessible.

## 2. Remember safety symbols



### Warning do not open casing!

The components inside the music centre carry dangerous high voltage. Contact with them can result in fire or electric shocks.



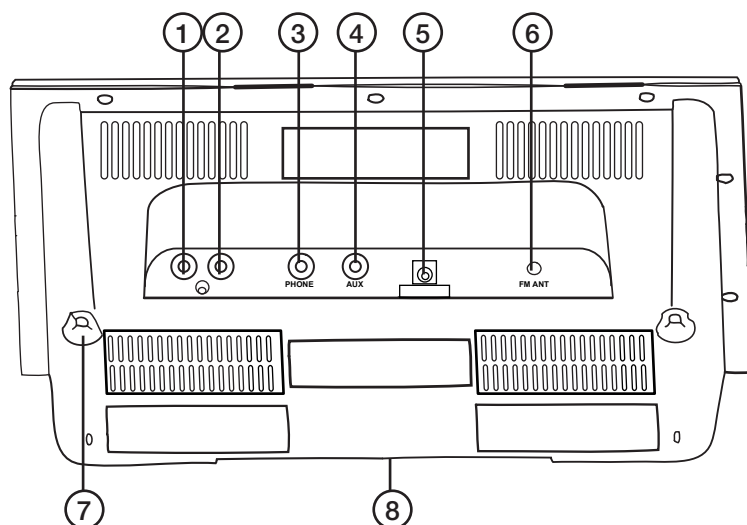
### CLASS 1 LASER APPARATUS

**Warning!** Do not open casing! Invisible laser beams that can cause eye injury are inside the music centre casing. Do not look straight into the beam and do not look directly at it via an optical instrument.

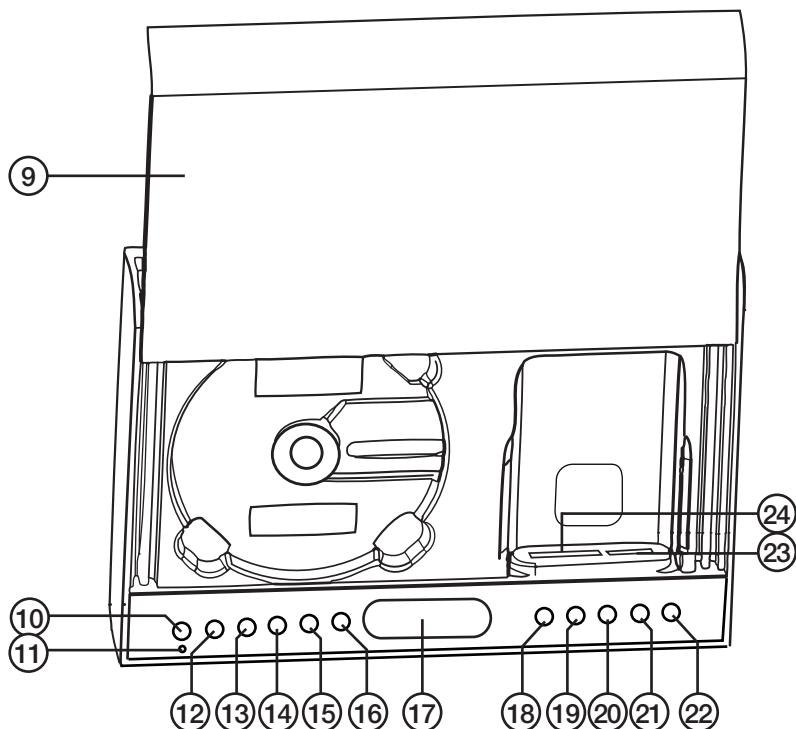
### 3. Product description

- Stereo system with CD/MP3-player and AM/FM-radio.
- Outlet for USB-memory and SD-card.
- Outlet for stereo headphones, 3.5 mm.
- Low-level input.
- Remote control included.
- Your music centre can also be mounted to a wall.
- Operates on the accompanying battery eliminator.
- Size of main unit 29 x 20 x 9 cm, speakers 12 x 20 x 9 cm.

### 4. Buttons and functions



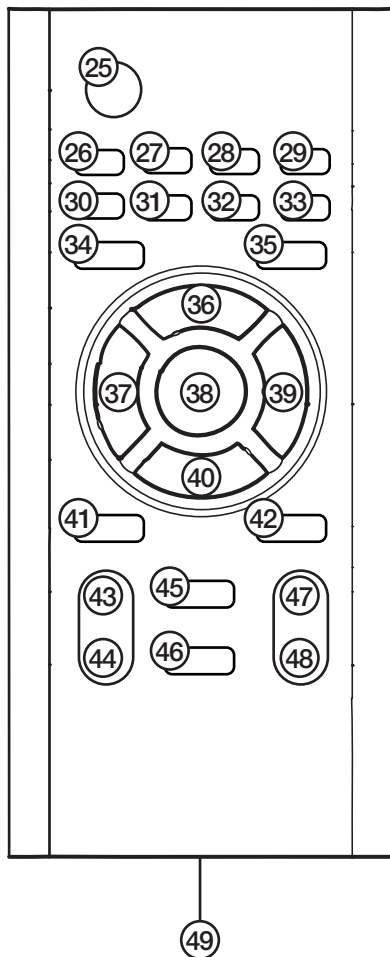
1. **R** – Connection for right speaker
2. **L** – Connection for left speaker
3. **PHONES** – Connection for headphones.
4. **AUX** – Connection for external sound source
5. **DC 10 V** – DC-connection 10 V, 1 A (+ in centre)
6. Antenna
7. Hole for attaching to wall
8. Table support (extendable)



9. CD-lid
10. [FUNCTION/STANDBY] Function selector and power switch.
11. Control lamp. Shines brightly when "STANDBY"-position is enabled.
12. [MEM+/PLAY MODE/AL. ON/OFF] Select desired radio station (from among stations stored in memory), disable/enable alarm.
13. [MEM/CLK ADJ] Set time, confirm.
14. [- VOLUME/AL.SET] Lower volume, set alarm.
15. [+ VOLUME/SNOOZE] Increase volume, press to enable snooze function.
16. Remote control sensor
17. LCD display
18. [◀/-SKIP/TUNE] One tune back.
19. [▶/+SKIP/TUNE] One tune forward.
20. [■ BAND] Stop Select wavelength AM-FM.
21. [▶ || /ST/MONO] Start recording or make a pause, choose mono or stereo.
22. [▲/OPEN/CLOSE] Open or close CD-lid.
23. Flash Card. Connection for CD Card.
24. USB-Connection.

## Remote control

25. [POWER] Power switch 0 – 1.
26. [FUNCTION] Function toggle.  
Choose among: CD – TUNER – AUX – USB – SD.
27. [REPEAT] Repeats. Select between “REPEAT ONE” (repeats the tune playing) and “REPEAT ALL” (repeats all).
28. [SLEEP] Sleep-function.  
Select to enable/disable automatic switch-off function
29. [OPEN/CLOSE] Open/close CD-lid.
30. [AL.ON/OFF] Alarm enable/disable automatic alarm function.
31. [AL.SET] Sets alarm time/confirm.
32. [INTRO] Plays the first 10 seconds of every track.
33. [RANDOM] Randomly plays all tracks.
34. [TRACK -10] Plays track 10 in reverse
35. [TRACK +10] Plays track 10 forward.
36. [FOLDER-M.UP] Go to next radio station/track in memory/folder.
37. [◀◀] Go back to previous.
38. [SNOOZE/ID3 DISPLAY] “Sleep”-position for another 5 minutes; show artist information.
39. [▶▶] Go forward to the next.
40. [FOLDER-M.DN] G] Go to previous radio station/track in memory/folder
41. [STOP/BAND] CD: Stops playing; Radio: Switches between AM and FM.
42. [▶ || /ST./-MONO] CD Start or pause play; Radio: Toggle between stereo and mono.
- 43.[EQ] Select among different sound patterns (EQ).
44. [BASS] Enable/disable base enhancement.
45. [PROGRAM CLOCK ADJ] Saves radio station/CD-track in memory; sets clock.
46. [MUTE] Temporarily switches off sound.
47. [VOL+] Increases volume.
48. [VOL-] Lowers volume.
49. Battery holder.



## 5. Getting started

### Insert batteries in remote control

1. Take out remote control battery holder (on one short side).
2. Reinsert battery holder (with battery) in remote control,
3. Insert the battery (CR2025, 3 V) into the battery holder as marked on the holder.
4. Insert the battery holder (with battery) into remote control. Turn the marking **Upward** up toward the buttons.  
**Caution!** Do not expose battery to high temperatures.

### Placement

Place your music station on a table (first pull out table support) or attach it to a wall.

### Connect speakers

Connect the left speaker to connection “L” (2) and the right speaker to the connection “R” (1).

**Caution!** Always connect speakers before you switch on the music centre.

## 6. Use

### 6.1 CLOCK

**Caution! The music centre must be in standby position when the time is set.**

1. Press [MEM/CLK ADJ] (13). “24” blinking.
2. Select time display format: 12- or 24-hour display with [◀/SKIP/TUNE] (18) or [▶/+SKIP/TUNE] (19).
3. Press [MEM/CLK ADJ] (13) again to confirm the setting.
4. Press [◀/SKIP/TUNE] (18) or [▶/+SKIP/TUNE] (19) to set hour.
5. Press [MEM/CLK ADJ] (13) to confirm setting.
6. Continue in the same way to set the second display.

\* **Control lamp (11) is illuminated.**

### 6.2 ALARM

**The clock must be set before the alarm time can be set.**

1. Press [- VOLUME/AL.SET] (14) or [AL.SET] (31) to set the alarm time.
2. Hour display blinking, Press [◀] (37) or [▶] (39) to set the right hour.
3. Press [AL.SET] (31) to confirm.
4. Minute display blinking. Press [◀] (37) or [▶] (39) to input the correct minute. Press [AL.SET] (31) to confirm.
5. “BUZZ” blinking on display. Press [◀] (37) or [▶] (39) to select desired function: **BUZZ** (buzzer), **TUNER** (radio), **CD**, **USB**, **CARD** (memory card).

**Caution!**

- If you select “USB” or “CD” you must not remove the selected sound pattern from the music centre if the alarm is enabled.
- When the preset time has been reached the buzzer sounds or the music centre starts automatically. Press [+ VOLUME/SNOOZE] (15) or [SNOOZE/ID3 DISPLAY] (38) to enable snooze function\* for 5 minutes. After 5 minutes the buzzer sounds again.

\*The snooze function works only if “BUZZER” is selected.

**Caution! The settings are deleted if you pull out the electrical cord.**

**6.3 EQ**

Setting the equaliser (sound pattern): Press [EQ] (43) several times and choose among: **NO EQ** (neutral sound pattern)-**CLASSIC-JAZZ-ROCK-POP**.

**6.4 BASE**

Enable/disable base enhancement **by pressing** [BASS] (44). When this function is enabled “BASS” appears at top of display.

**6.5 SLEEP**

**Your music centre shuts off automatically after a certain time (up to 90 minutes).**

1. Press [SLEEP] (28) several times and select desired time for shutdown. SLEEP 90 appears first on the display; press several times to count down the time to the desired shutdown time in 10-minute intervals.
2. As soon as the preset time has elapsed, the music centre shuts down.
3. Switch off the SLEEP-FUNCTION by pressing [SLEEP] (28) several times down to “10” and then press one more time.

**6.6 MUTE**

Turn off sound temporarily by pressing [MUTE] (46). Press again to restore sound.

**6.7 FUNCTION**

**Select desired function by pressing** [FUNCTION] (26) repeatedly: **CD** (CD-disk) – **TUNER** (radio) – **AUX** (external sound source) – **USB** (USB-memory) – **SD** (memory card).

**6.8 Listening to CD/MP3**

1. Switch on music centre by pressing [FUNCTION/STANDBY] (10) or [⏻] (25).
2. Press [FUNCTION/STANDBY] (10) or [FUNCTION] (26) to select “CD”.
3. Open CD-lid (9) by pressing [▲/OPEN/CLOSE] (22) or [OPEN/CLOSE] (29).
4. Press a CD disk firmly onto the spindle.
5. Close CD-lid by pressing [▲/OPEN/CLOSE] (22) or [OPEN/CLOSE] (29).



## 6.9 Adjusting the volume

Adjust the volume with the knobs: [- VOLUME/AL.SET] (14), [+ VOLUME/SNOOZE] (15), [VOL+] (47) or [VOL-] (48). Press [BASS] (44) if you wish to enhance base.

## 6.10 Play and Pause

1. Press [▶ || /ST/MONO] (21) to start playing.
2. Press [▶ || /ST/MONO] (21) once more to stop playing temporarily (Pause).
3. Press [▶ || /ST/MONO] (21) once more to resume playing after play has been put on pause.

## 6.11 Select the preceding track or the next track

Press [◀◀/-SKIP/TUNE] (18) or [◀◀] (37) to go to the preceding track.

Press [▶▶/+SKIP/TUNE] (19) or [▶▶] (39) to go to the next track.

## 6.12 Stopping play

Press [■ BAND] (20) or [STOP/BAND] (41) CD: Stops play. Radio: Toggles between AM and FM.

## 6.13 Programming a play list

I CD/MP3-position, press [PROGRAM CLOCK ADJ] (45) or [MEM/CLK ADJ] (13) to enable the memory function.

### ***CD-position***

In CD-position with play stopped:

1. "T00" blinking.
2. "P01" appears; select desired track with [9] (37) or [:] (39), Press [PROGRAM CLOCK ADJ] (45) or [MEM/CLK ADJ] (13) to confirm your selection.
3. Continue in the same way with the other tracks; up to 20 tracks can be stored in the memory.

### ***MP3-position***

In MP3-position with play stopped:

1. "F00" blinking.
2. "P01" appears, select desired folder with [◀◀] (37), [▶▶] (39), [FOLDER-M.DN] (40) or [FOLDER-M.UP] (36). Press [PROGRAM CLOCK ADJ] (45) or [MEM/CLK ADJ] (13) to confirm your selection.
3. "T00" blinking.
4. Select desired track with [◀◀] (37) or [▶▶] (39). Press [PROGRAM CLOCK ADJ] (45) or [MEM/CLK ADJ] (13) to confirm your selection.
5. Continue in the same way with the other tracks; up to 99 tracks can be stored in the memory. Press [▶ || /ST/MONO] (21) to start play.

You can delete the play list by:

- Pressing [■ BAND] (20) or [STOP/BAND] (41) to stop play.
- Pressing [▲/OPEN/CLOSE] (22) to open CD-lid.

## 6.14 Repeating

Press repeatedly on [MEM+/PLAY MODE/AL. ON/OFF] (12) or [REPEAT] (27) to repeat play. The display shows the function selected:

- **REPEAT 1** – the track playing is repeated several times.
- **REPEAT ALL**– the entire CD-disk/USB-memory is played several times.
- **REPEAT FOLDER** (only in MP3-position) – the entire folder is played again.
- **RANDOM** –repeats all tracks in random order.
- **INTRO** – plays the first 10 seconds of each track.

## 6.15 Listening to the radio

1. Switch your music centre on by pressing [FUNCTION/STANDBY] (10) or [⏻] (25).
2. Press [FUNCTION/STANDBY] (10) or [FUNCTION] (26) to select “TUNER”.
3. Press [■ BAND] (20) or [STOP/BAND] (41) to select wavelength AM (medium wave) or FM.
4. Select stereo or mono with [▶ II /ST./-MONO] (42) or [▶ II /ST/MONO] (21). “Stereo” appears on the display when there is a stereo reception. Select **Mono** if reception is poor where you are.

### *Set the desired station*

**Manual station search:** Press repeatedly [⏮] (37) or [⏭] (39).

**Automatic station search:** Press down and hold: [⏮] (37) or [⏭] (39) for two seconds to start search, The search starts when the radio finds a station. Press and hold down again to find the next station.

**Caution!** Improve AM-reception by turning the music centre about. Improve FM-reception by unwinding the wire antenna as far as it goes and try placing the music centre in another location.

## 6.16 Store a radio frequency in the memory

The radio station you are listening to can be stored in the memory at any time.

1. Press [PROGRAM/CLOCK ADJ] (45) or [MEM/CLK ADJ] (13).
2. Press [MEM+/PLAY MODE/AL. ON/OFF] (12) to store the station under a specific number.
3. Press [⏮] (37) or [⏭] (39) to select desired radio station.
4. Press [PROGRAM/CLOCK ADJ] (45) or [MEM/CLK ADJ] (13) to confirm and save the setting.

40 channels can be stored in the memory, 20 channels for FM and 20 for AM.

**Caution!** Retrieve radio stations from the station memory with the buttons [FOLDER-M.DN] (40) or [FOLDER-M.UP] (36).

There is no need to delete the station memory, just save another station at this memory site.

## 6.17 Using with an external power source (AUX)

1. Press [FUNCTION/STANDBY] (10) or [FUNCTION] (26) to select "AUX IN".
2. Connect the sound source to AUX (4) with a cable that has 3.5mm stereo plug (cable not included).
3. Start play from the connected external sound source,
4. Adjust the volume on the music centre with [VOL+] (47) or [VOL-] (48). Adjust volume of the connected external sound source if the sound is poor.

## 6.18 Using with USB-memory

1. Press [FUNCTION/STANDBY] (10) or [FUNCTION] (26) to select USB.
2. Open CD-lid (9) by pressing [▲/OPEN/CLOSE] (22) or [OPEN/CLOSE] (29).
3. Insert USB-memory into USB-Connection (24). Close CD-lid.
4. "USB" appears on the display.
5. Start play with [▶ || /ST./-MONO] (42).
6. Adjust volume on the music centre with [VOL+] (47) or [VOL-] (48).

## 6.19 Using the SD/MMC memory card

1. Press [FUNCTION/STANDBY] (10) or [FUNCTION] (26) to select SD/MMC CARD.
2. Open CD-lid (9) by pressing [▲/OPEN/CLOSE] (22) or [OPEN/CLOSE] (29).
3. Connect memory card to FLASH CARD (23). Close CD-lid.
4. "SD/MMC" appears on display.
5. Start play with [▶ || /ST./-MONO] (42).
6. Adjust volume on music centre with [VOL+] (47) or [VOL-] (48).
7. Play stops when all tracks have been played

## 6.20 Listening with the headphones

Adjust the volume downward and connect the headphones to PHONES (3). When the headphones are connected the speakers automatically go silent.

# 7. Care and Maintenance

Dry the music centre with a soft, dry cloth to clean the music centre, Do not use detergent containing alcohol, ammonia, gasoline or polisher as they could damage the casing.

## 8. Trouble-shooting chart

### The music centre will not switch on.

Check that battery eliminator and DC-plugs are correctly connected.

### No sound from speakers.

- Check that the speakers are connected correctly.
- Check whether the volume is on "0".
- Check that the correct "FUNCTION" has been selected: CD – TUNER – AUX – USB – SD.
- Check that the headphones are connected to the output (3). If they are, the speakers are automatically shut off.

### Poor sound.

- Sources of interference (TV, refrigerator etc.) are located close by. Move the music centre.
- Check that the radio is correctly tuned (for radio listening).
- Decrease the volume.

### Remote control does not work.

- Ensure that there are no obstructions between the remote control and the music centre's sensor (16).
- Aim remote control straight at the music centre's sensor (16).
- Bright sunlight beaming directly into the sensor (16) can interfere with transmission.
- Check the batteries in the remote control. Replace if needed.

### CD-disc cannot be read.

- When there are major changes of temperature, vapour can form on the player's lens. Wait a while to allow the vapour to evaporate

### Cannot record files from USB or SD/MMC.

- Use only USB-MSC (USB-MTP is not supported).
- Check that memory has files in MP3- or WMA-format.
- Check that the memory card is not more than 2 GB (HCSD not supported).
- DRM-encrypted WMA-files are not supported.

### CD-player will not start.

- Check that the CD-disc is correctly placed in the player.
- Check that the CD-disc is not damaged, scratched or dirty.
- Check that the disc has files in MP3 or WMA format.
- DRM-encrypted WMA-files are not supported.

### Play is marred by brief interruptions.

- Check that the CD-disc is not damaged, scratched or dirty. Make sure your music centre is situated in a place without vibrations.

### One single track plays over and over.

- Check REPEAT-setting (if it is enabled, it will show on the display).
- Check that CD-lid (9) is shut.

### "FUNCTION" cannot be used.

- Check that CD-lid (9) is shut.

## 9. Disposal

Make sure you comply with local regulations when discarding the device. If you are not sure what to do, contact your local authorities.



## 10. Specifications

Power supply: 230 V AC, 50 Hz  
Output: 2 x 2.5 W  
Measured: Main music centre 29 x 20 x 9 cm  
Speakers 12 x 20 x 9 cm

### Radio

Frequency range: AM 522 – 1620 KHz  
FM 88 – 108 MHz

### CD-player

Pickup: 3-beam  
Frequency range: 100 Hz ~ 16 KHz

# Musikanläggning

Art.nr 18-8148 Modell KS-3398F-UK  
38-3511 KS-3398F

Läs igenom hela bruksanvisningen före användning och spara den sedan för framtida bruk. Vi reserverar oss för ev. text- och bildfel samt ändringar av tekniska data. Vid tekniska problem eller andra frågor, kontakta vår kundtjänst (se adressuppgifter på baksidan).

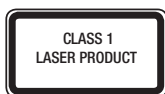
## 1. Säkerhetsföreskrifter

- Produkten får endast repareras av kvalificerad servicepersonal.
- Produkten får inte demonteras eller ändras.
- Täck inte över anläggningen. Tillräcklig ventilation, med ett minsta avstånd på 15 cm mellan ventilationsöppningarna och omgivande ytor, är nödvändig för att förhindra överhettning.
- Tag ur batterierna om enheten inte ska användas under en längre period. Detta för att förhindra att batterierna börjar läcka.
- Produkten får inte demonteras eller ändras. Farlig spänning finns oskyddat på komponenter inuti produktens hölje. Kontakt med dessa kan leda till brand eller ge elektriska stötar.
- Produkten är avsedd endast för inomhusbruk.
- Utsätt aldrig produkten för höga temperaturer, dammig miljö, starka vibrationer, stötar, fukt eller väta.
- Placera inte produkten så att den kan falla ner i vatten eller annan vätska. Ställ inte heller några föremål som innehåller vätska på produkten, t.ex. en blomvas eller läskedryck.
- Bryt strömmen till apparaten genom att dra apparatens stickpropp ur vägguttaget. Apparatsens stickpropp måste vara lättåtkomlig.

## 2. Lägga märke till dessa säkerhetssymboler



**Varning!** Öppna inte höljet! Farlig spänning finns oskyddat på komponenter inuti produktens hölje. Kontakt med dessa kan leda till brand eller ge elektriska stötar.



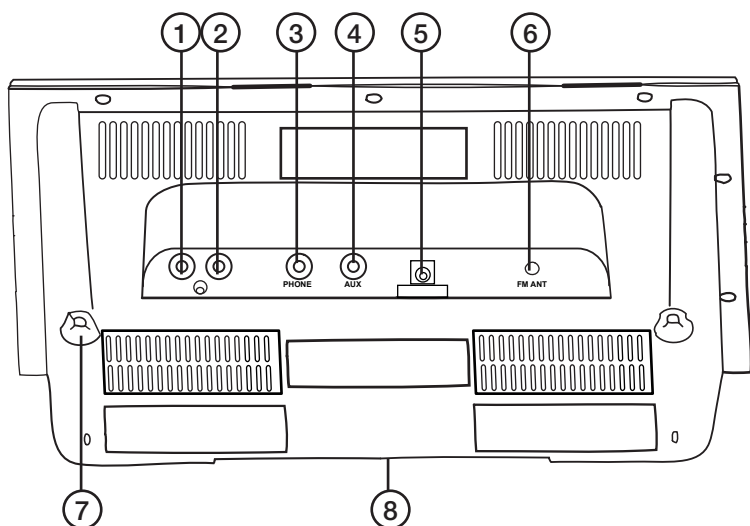
### KLASS 1 LASERAPPARAT

**Varning!** Öppna inte höljet! Ösynlig laserstrålning som kan orsaka ögonskador finns inuti produktens hölje. Rikta inte blicken in mot strålen och titta inte direkt på den genom optiska instrument.

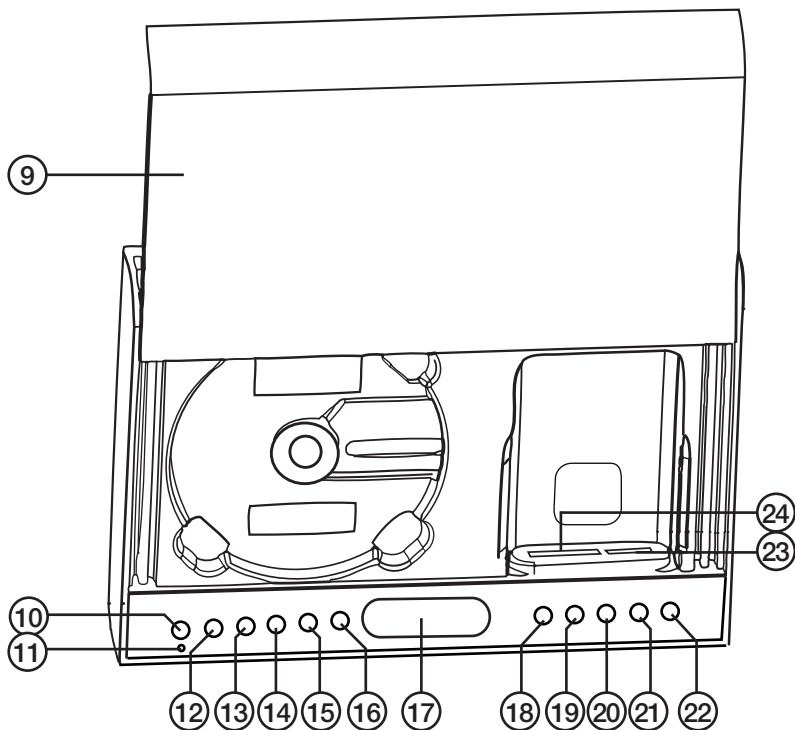
### 3. Produktbeskrivning

- Musikanläggning med CD/MP3-spelare och AM/FM-radio
- Uttag för USB-minne och SD-kort
- Uttag för stereohörlurar, 3,5 mm
- Lågnivåingång
- Fjärrkontroll medföljer
- Musikanläggningen kan även väggmonteras
- Drivs med medföljande batterieliminators
- Storlek huvudenhet 29 x 20 x 9 cm, högtalare 12 x 20 x 9 cm

### 4. Knappar och funktioner



1. **R** – Anslutning för höger högtalare
2. **L** – Anslutning för vänster högtalare
3. **PHONES** – Anslutning för hörlurar
4. **AUX** – Anslutning för yttre ljudkälla
5. **DC 10 V** – DC-anlutning 10 V, 1 A (+ i centrum)
6. Antenn
7. Upphängningshåll
8. Bordsstöd (utfällbart)

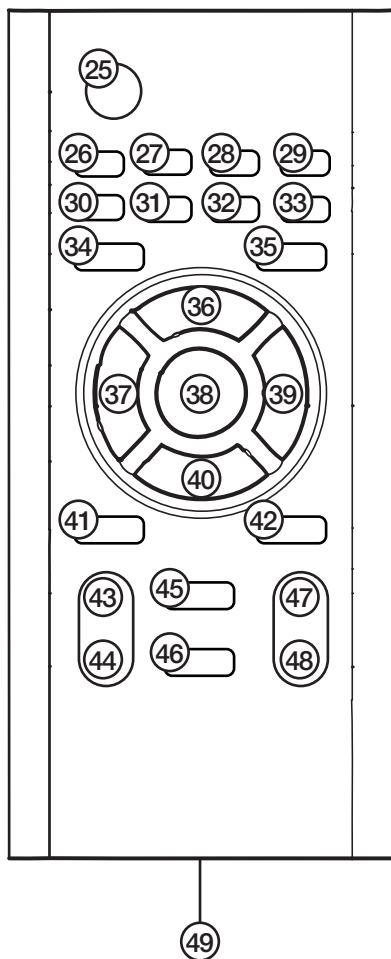


9. CD-lock
10. [FUNCTION/STANDBY] Funktionsväljare och strömbrytare
11. Kontrollampa Lyser starkt vid aktiverat "STANDBY"-läge
12. [MEM+/PLAY MODE/AL. ON/OFF] Välj önskad radiostation (av de stationer som är sparade i minnet), stäng av/aktivera alarm
13. [MEM/CLK ADJ] Inställning av tid, bekräfta
14. [- VOLUME/AL.SET] Sänk volym, inställning av alarm
15. [+ VOLUME/SNOOZE] Öka volym, tryck för att aktivera snoozefunktion
16. Sensor för fjärrkontroll
17. LCD display
18. [◀/- SKIP/TUNE] Stega bakåt
19. [▶/+ SKIP/TUNE] Stega framåt
20. [■ BAND] Stoppa uppspelning, välj våglängd AM-FM
21. [▶ || /ST/MONO] Starta uppspelning eller gör paus, välj mono eller stereo
22. [▲/OPEN/CLOSE] Öppna eller stäng CD-locket
23. USB-anlutning
24. Flash Card. Anlutning för minneskort



## Fjärrkontrol

25. [⏻] Strömbrytare 0 – 1
26. [FUNCTION] Funktionsomkopplare.  
Välj mellan: CD – TUNER – AUX – USB – SD
27. [REPEAT] Repetition. Välj mellan "REPEAT ONE" (repetera den pågående) och "REPEAT ALL" (repetera alla)
28. [SLEEP] Sleep-funktion. Välj att aktivera/stänga av automatisk avstängningsfunktion
29. [OPEN/CLOSE] Öppna/stäng CD-locket
30. [AL.ON/OFF] Alarm aktivera/stäng av automatisk alarmfunktion
31. [AL.SET] Inställning av alarmtid/bekräfta
32. [INTRO] Spela upp de första 10 sekunderna av varje spår
33. [RANDOM] Spela upp alla spår i slumpvis ordning
34. [TRACK -10] Spela upp spår 10 bakåt
35. [TRACK +10] Spela upp spår 10 framåt
36. [FOLDER-M.UP] Gå till nästa radiostation/spår på minne/mapp
37. [⏮] Gå tillbaka till föregående
38. [SNOOZE/ID3 DISPLAY] "Sleep"-läge i 5 minuter till; visa artistinformation
39. [⏭] Gå framåt till nästa
40. [FOLDER-M.DN] Gå till föregående radiostation/spår på minne/mapp
41. [STOP/BAND] CD: Stoppa avspelning; Radio: Växla mellan AM och FM
42. [▶ || /ST./-MONO] CD: Starta eller gör paus vid avspelning; Radio: Växla mellan stereo och mono
43. [EQ] Välj mellan olika ljudbilder (EQ)
44. [BASS] Aktivera/stäng av bashöjning
45. [PROGRAM CLOCK ADJ] Spara radiostation/CD-spår i minnet; Inställning av klocka
46. [MUTE] Stäng av ljudet tillfälligt
47. [VOL+] Öka volymen
48. [VOL-] Minska volymen
49. Batterihållare



## 5. Kom igång med produkten

### Sätt i batterier i fjärrkontrollen

1. Dra ut fjärrkontrollens batterihållare (på ena kortsidan).
2. Tryck in batterihållaren (med batteri) i fjärrkontrollen.
3. Sätt i batteriet (CR2025, 3 V) i batterihållaren enligt märkningen på hållaren.
4. Tryck in batterihållaren (med batteri) i fjärrkontrollen. Vänd märkningen **Upward** uppåt mot knapparna.

**Obs!** Utsätt inte batteriet för hög temperatur.

### Placering

Placera musikanläggningen på ett bord (vik ut bordsstödet före) eller häng upp den på en vägg.

### Anslut högtalare

Anslut den vänstra högtalaren till anslutningen **L** (2) och den högra till anslutningen **R** (1).

**Obs!** Anslut alltid högtalarna innan du slår på musikanläggningen.

## 6. Användning

### 6.1 Klocka

**Obs! Musikanläggningen måste vara i standbyläge\* när tiden ställs in.**

1. Tryck på [MEM/CLK ADJ] (13). "24" blinkar.
2. Välj visningsformat: 12- eller 24-timmarsvisning med [◀/SKIP/TUNE] (18) eller [▶/+SKIP/TUNE] (19).
3. Tryck på [MEM/CLK ADJ] (13) igen för att bekräfta inställningen.
4. Tryck på med [◀/SKIP/TUNE] (18) eller [▶/+SKIP/TUNE] (19) för att ställa in timangivelsen.
5. Tryck på [MEM/CLK ADJ] (13) för att bekräfta inställningen.
6. Fortsätt på samma sätt med minutangivelsen.

\* **Kontrollampen (11) lyser.**

### 6.2 Alarm

**Klockan måste ställas in innan alarmtiden går att ställa in.**

1. Tryck på [- VOLUME/AL.SET] (14) eller [AL.SET] (31) för att ställa in alarmtid.
2. Timangivelsen blinkar. Tryck på [◀] (37) eller [▶] (39) för att ställa in rätt timme.
3. Tryck på [AL.SET] (31) för att bekräfta.
4. Minutangivelsen blinkar. Tryck på [◀] (37) eller [▶] (39) för att ställa in rätt minut. Tryck på [AL.SET] (31) för att bekräfta.
5. "BUZZ" blinkar på displayen. Tryck på [◀] (37) eller [▶] (39) för att välja önskad funktion: **BUZZ** (summer), **TUNER** (radio), **CD**, **USB**, **CARD** (minneskort).

**Obs!** Om du väljer "USB" eller "CD" får du inte ta bort den valda ljudkällan från musikanläggningen om alarm är aktiverat.

6. När den inställda tiden nås ljuder summern eller så startar musikanläggningen automatiskt. Tryck på [+ VOLUME/SNOOZE] (15) eller [SNOOZE/ID3 DISPLAY] (38) för att aktivera snoozefunktionen\* i 5 minuter. Efter 5 minuter ljuder summern igen.  
\*Snoozefunktionen fungerar endast om "BUZZER" är valt.

**Obs! Inställningarna raderas om du drar ur nätsladden.**

### 6.3 EQ

Inställning av equalizer (ljudbild): Tryck på [EQ] (43) upprepade gånger och välj mellan: **NO EQ** (neutral ljudbild)-**CLASSIC-JAZZ-ROCK-POP**.

### 6.4 BASS

Aktivera/stäng av bashöjning genom att trycka på [BASS] (44). När denna funktion är aktiverad visas "BASS" överst på displayen.

### 6.5 SLEEP

**Automatisk avstängning av musikanläggningen efter en viss tid (upp till 90 minuter).**

1. Tryck på [SLEEP] (28) upprepade gånger och välj önskad tid till avstängning. "SLEEP 90" visas först på displayen, tryck flera gånger för att räkna ner tiden till avstängning i 10 minutersintervaller.
2. Efter inställd tid stängs musikanläggningen av.
3. Stäng av SLEEP-FUNCTION genom att trycka på [SLEEP] (28) upprepade gånger ner till **10** och tryck sedan en gång till.

### 6.6 MUTE

Stäng av ljudet tillfälligt genom att trycka på [MUTE] (46). Tryck en gång till för att aktivera ljudet igen.

### 6.7 FUNCTION

Välj önskad funktion genom att trycka på [FUNCTION] (26) upprepade gånger: **CD** (CD-skiva) – **TUNER** (radio) – **AUX** (yttre ljudkälla) – **USB** (USB-minne) – **SD** (minneskort).

### 6.8 Lyssna på CD/MP3

1. Slå på musikanläggningen genom att trycka på [FUNCTION/STANDBY] (10) eller [⏻] (25).
2. Tryck på [FUNCTION/STANDBY] (10) eller på [FUNCTION] (26) för att välja "CD".
3. Öppna CD-locket (9) genom att trycka på [▲/OPEN/CLOSE] (22) eller [OPEN/CLOSE] (29).
4. Tryck fast en CD-skiva på spindeln.
5. Stäng CD-locket genom att trycka på [▲/OPEN/CLOSE] (22) eller [OPEN/CLOSE] (29).

## 6.9 Justera volymen

Justera volymen med knapparna: [- VOLUME/AL.SET] (14), [+ VOLUME/SNOOZE] (15), [VOL+] (47) eller [VOL-] (48). Tryck på [BASS] (44) om du vill öka basåtergivningen.

## 6.10 Play och Paus

1. Tryck på [▶ || /ST/MONO] (21) för att starta uppspelning.
2. Tryck på [▶ || /ST/MONO] (21) en gång till för att tillfälligt stoppa uppspelningen (Paus).
3. Tryck på [▶ || /ST/MONO] (21) en gång till för att återuppta uppspelningen där den avbröts.

## 6.11 Välj föregående spår eller nästa spår

Tryck på [◀◀/-SKIP/TUNE] (18) eller [◀◀] (37) för att gå till föregående spår. Tryck på [▶▶/+SKIP/TUNE] (19) eller [▶▶] (39) för att gå till nästa spår.

## 6.12 Stoppa uppspelning

Tryck på [■ BAND] (20) eller [STOP/BAND] (41) CD: Stoppa avspelning; Radio: Växla mellan AM och FM.

## 6.13 Programmera in en spellista

I CD/MP3-läge, tryck [PROGRAM CLOCK ADJ] (45) eller [MEM/CLK ADJ] (13) för att öppna minnesfunktion.

### **CD-läge**

I CD-läge med stoppad uppspelning:

1. "T00" blinkar.
2. "P01" visas välj önskat spår med [◀◀] (37) eller [▶▶] (39), Tryck på [PROGRAM CLOCK ADJ] (45) eller [MEM/CLK ADJ] (13) för att bekräfta ditt val.
3. Fortsätt lika med de övriga spårerna. Upp till 20 kan sparas i minnet.

### **MP3-läge**

I MP3-läge med stoppad uppspelning:

1. "F00" blinkar.
2. "P01" visas, välj önskad mapp med [◀◀] (37), [▶▶] (39), [FOLDER-M.DN] (40) eller [FOLDER-M.UP] (36). Tryck på [PROGRAM CLOCK ADJ] (45) eller [MEM/CLK ADJ] (13) för att bekräfta ditt val.
3. "T00" blinkar.
4. Välj önskat spår med [◀◀] (37) eller [▶▶] (39). Tryck på [PROGRAM CLOCK ADJ] (45) eller [MEM/CLK ADJ] (13) för att bekräfta ditt val.
5. Fortsätt lika med de övriga spårerna. Upp till 99 kan sparas i minnet. Tryck på [▶ || /ST/MONO] (21) för att starta uppspelning.

Du kan radera spellistan genom att:

- Tryck på [■ BAND] (20) eller [STOP/BAND] (41) för att stoppa uppspelningen.
- Tryck på [▲/OPEN/CLOSE] (22) för att öppna CD-luckan.

## 6.14 Repetition

Tryck upprepade gånger på [MEM+/PLAY MODE/AL. ON/OFF] (12) eller [REPEAT] (27) för att repetera uppspelning. Displayen visar vald funktion:

- **REPEAT 1** – det pågående spåret spelas upprepade gånger.
- **REPEAT ALL**– hela CD-skivan/USB-minnet spelas upprepade gånger.
- **REPEAT FOLDER** (endast i MP3-läge) – hela mappen spelas upprepade gånger.
- **RANDOM** – repetera alla spår i slumpvis ordning.
- **INTRO** – spela upp de första 10 sekunderna för varje spår.

## 6.15 Lyssna på radio

1. Slå på musikanläggningen genom att trycka på [FUNCTION/STANDBY] (10) eller [⏻] (25).
2. Tryck på [FUNCTION/STANDBY] (10) eller på [FUNCTION] (26) för att välja "TUNER".
3. Tryck på [■ BAND] (20) eller [STOP/BAND] (41) för att välja våglängd AM (mellanvåg) eller FM.
4. Välj stereo eller mono med [▶ II /ST./-MONO] (42) eller [▶ II /ST/MONO] (21). "Stereo" visas på displayen vid stereomottagning. Välj "Mono" om det är dålig mottagning där du befinner dig.

### Ställ in önskad station

**Manuell stationssökning:** Tryck upprepade gånger på [⏮] (37) eller [⏭] (39).

**Automatisk sökning av station:** Tryck och håll in [⏮] (37) eller [⏭] (39) i ca två sekunder för att starta sökning. Sökningen stoppar när radion hittar en station. Tryck och håll in igen för att hitta nästa station.

**Obs!** Förbättra AM-mottagningen genom att vrida på musikanläggningen. Förbättra FM-mottagningen genom att linda ut hela trådantennen och prova en annan placering.

## 6.16 Spara en radiofrekvens i minnet

Radiostationen som du lyssnar på kan när som helst sparas i minnet.

1. Tryck på [PROGRAM/CLOCK ADJ] (45) eller [MEM/CLK ADJ] (13).
2. Tryck på [MEM+/PLAY MODE/AL. ON/OFF] (12) för att spara stationen under ett visst nummer.
3. Tryck på [⏮] (37) eller [⏭] (39) för att välja önskad radiostation.
4. Tryck på [PROGRAM/CLOCK ADJ] (45) eller [MEM/CLK ADJ] (13) för att bekräfta och spara inställning.

40 kanaler kan sparas i minnet. 20 kanaler för FM och 20 för AM.

**Obs!** Hämta radiostationer från stationsminnet med knapparna [FOLDER-M.DN] (40) eller [FOLDER-M.UP] (36).

Radering av stationsminnet behövs inte, spara helt enkelt en ny station på den minnesplatsen.

## 6.17 Användning med extern ljudkälla (AUX)

1. Tryck på [FUNCTION/STANDBY] (10) eller på [FUNCTION] (26) för att välja "AUX IN".
2. Anslut ljudkällan till AUX (4) med en kabel som har 3,5 mm stereoplugg (kabel medföljer ej).
3. Starta uppspelningen på den anslutna externa ljudkällan.
4. Justera volymen på musikanläggningen med [VOL+] (47) eller [VOL-] (48). Justera volymen på den anslutna externa ljudkällan om ljudet är dåligt.

## 6.18 Användning med USB-minne

1. Tryck på [FUNCTION/STANDBY] (10) eller på [FUNCTION] (26) för att välja USB.
2. Öppna CD-locket (9) genom att trycka på [▲/OPEN/CLOSE] (22) eller [OPEN/CLOSE] (29).
3. Anslut USB-minnet till USB-anlutningen (24). Stäng CD-locket.
4. "USB" visas på displayen.
5. Starta uppspelningen med [▶ || /ST./-MONO] (42).
6. Justera volymen på musikanläggningen med [VOL+] (47) eller [VOL-] (48).

## 6.19 Användning med SD/MMC minneskort

1. Tryck på [FUNCTION/STANDBY] (10) eller på [FUNCTION] (26) för att välja SD/MMC CARD.
2. Öppna CD-locket (9) genom att trycka på [▲/OPEN/CLOSE] (22) eller [OPEN/CLOSE] (29).
3. Anslut minneskortet till FLASH CARD (23). Stäng CD-locket.
4. "SD/MMC" visas på displayen.
5. Starta uppspelningen med [▶ || /ST./-MONO] (42).
6. Justera volymen på musikanläggningen med [VOL+] (47) eller [VOL-] (48).
7. Uppspelningen stoppar automatiskt när alla spår har spelats.

## 6.20 Lyssna via hörlurar

Justera ner volymen och anslut hörlurarna till PHONES (3). När hörlurarna ansluts tystnar automatiskt högtalarna.

# 7. Skötsel och underhåll

Använd en mjuk, torr trasa för att rengöra enheten. Använd inte rengöringsmedel som innehåller alkohol, ammoniak, bensen eller slipmedel, eftersom det kan skada höljet.

## 8. Felsökningsschema

### Musikanläggningen går inte att slå på.

- Kontrollera att batterieliminatoren och DC-proppen är rätt anslutna.

### Inget ljud från högtalare.

- Kontrollera att högtalarna är rätt anslutna.
- Kontrollera om volymen står på "0".
- Kontrollera att rätt "FUNCTION" har valts: CD – TUNER – AUX – USB – SD.
- Kontrollera om hörlurar är anslutna till uttaget (3). I så fall stängs högtalarna av automatiskt.

### Dåligt ljud.

- Störningskällor (TV, frysbox etc.) finns i närheten. Flytta musikanläggningen.
- Kontrollera att radion är rätt inställd (vid radiolyssning).
- Sänk volymen.

### Fjärrkontrollen fungerar inte.

- Se till att inga hinder finns mellan fjärrkontrollen och musikanläggningens sensor (16).
- Rikta fjärrkontrollen rakt mot musikanläggningens sensor (16).
- Starkt solljus mot sensorn (16) kan störa överföringen.
- Kontrollera batterierna i fjärrkontrollen. Byt ut vid behov.

### CD-skiva kan inte läsas.

- Vid stora temperaturändringar kan imma bildas på spelarens lins. Vänta en stund och låt imman försvinna.

### Det går inte att spela upp filer från USB eller SD/MMC.

- Använd endast USB-MSC (USB-MTP stöds inte).
- Kontrollera att minnet har filer i MP3- eller WMA-format.
- Kontrollera att minneskortet inte är större än 2 GB (HCSD stöds inte).
- DRM-krypterade WMA-filer stöds inte.

### CD-spelaren startar inte.

- Kontrollera att CD-skivan är rättvänd i spelaren.
- Kontrollera om CD-skivan är skadad repig eller smutsig.
- Kontrollera att skivan har filer i MP3 eller WMA format.
- DRM-krypterade WMA-filer stöds inte.

### Uppspelningen sker med kortare avbrott.

- Kontrollera om CD-skivan är skadad repig eller smutsig.
- Se till att musikanläggningen placeras på en plats utan vibrationer.

### Endast ett spår repeteras oavbrutet.

- Kontrollera REPEAT-inställningen (om den är aktiverad visas det på displayen).
- Kontrollera att CD-locket (9) är stängt.

### Det går inte att använda "FUNCTION".

- Kontrollera att CD-locket (9) är stängt.

## 9. Avfallshantering

När du ska göra dig av med produkten ska detta ske enligt lokala föreskrifter. Är du osäker på hur du ska gå tillväga, kontakta din kommun.



## 10. Specifikationer

Strömförsörjning:	230 V AC, 50 Hz
Uteffekt:	2 x 2,5 W
Mått:	Huvudenhet 29 x 20 x 9 cm
	Högtalare 12 x 20 x 9 cm

### Radio

Frekvensområde:	AM 522 – 1620 kHz
	FM 88 – 108 MHz

### CD-spelare

Pickup:	3-beam
Frekvensomfång:	100 Hz ~ 16 kHz



# Musikkanlegg

Art.nr. 18-8148 Modell KS-3398F-UK  
38-3511 KS-3398F

Les nøye igjennom hele bruksanvisningen og ta vare på den til senere bruk. Vi reserverer oss mot ev. tekst- og bildefeil, samt forandringer av tekniske data. Ved tekniske problemer eller andre spørsmål, ta kontakt med vårt kundesenter (se opplysninger på baksiden).

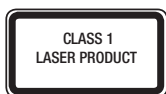
## 1. Sikkerhetsinstruksjoner

- Produktet må kun repareres av kyndig servicepersonell.
- Produktet må ikke demonteres eller endres på.
- Anlegget må ikke tildekkes. Sørg for tilstrekkelig ventilasjon rundt anlegget. En minsteavstand på 15 cm mellom ventilasjonsåpningene og tilstøtende flater er nødvendig for å hindre at anlegget overopphetes.
- Ta ut batteriene dersom produktet ikke skal brukes over tid. Dette for å hindre at batteriene skal begynne å lekke.
- Produktet må ikke demonteres eller endres på. Farlig spenning ligger ubeskyttet på visse komponenter under produktets deksel. Kontakt med disse kan føre til brann eller gi elektriske støt.
- Produktet er kun beregnet for innendørs bruk.
- Utsett aldri produktet for høye temperaturer, fuktighet, støvete miljøer, sterke vibrasjoner eller støt.
- Plasser ikke produktet slik at det kan komme i kontakt med vann eller annen væske. Plasser aldri produktet nær gjenstander som kan forårsake at vann eller annen væske skylles over det.
- Produktet gjøres strømløst ved at støpselet trekkes ut av strømuttaket. Apparatets støpsel må være lett tilgjengelig.

## 2. Legg merke til følgende sikkerhetssymboler



**Advarsel!** Dekselet må ikke åpnes. Farlig spenning ligger ubeskyttet på visse komponenter under produktets deksel. Kontakt med disse kan føre til brann eller gi elektriske støt.



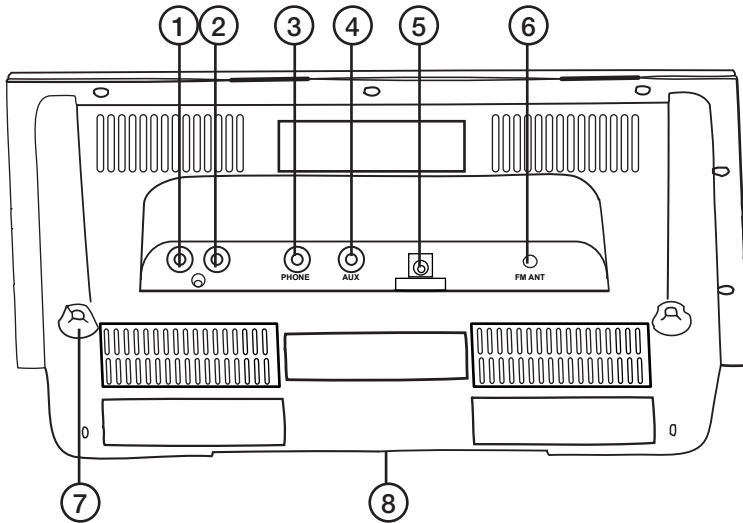
### KLASSE 1 LASERAPPARAT

**Advarsel!** Dekselet må ikke åpnes. Usynlig laserstråler som kan føre til øyeskader ligger under produktets deksel. Vend ikke blikket mot strålen, og se ikke rett på den gjennom optiske instrumenter.

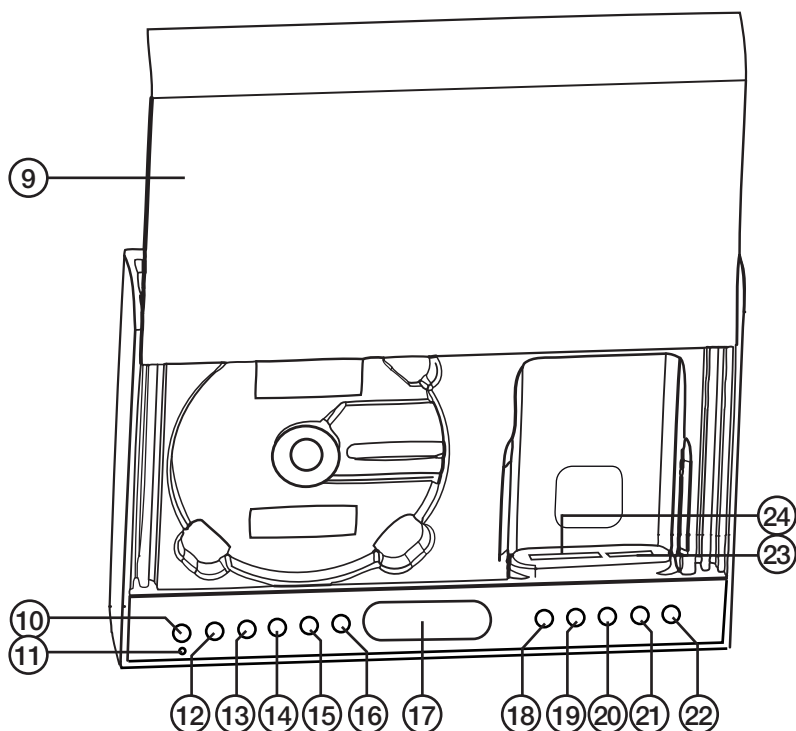
### 3. Produktbeskrivelse

- Musikkkanlegg med cd/mp3-spiller og AM/FM-radio.
- Uttak for usb-minne og SD-minnekort.
- Uttak for stereoheadset med 3,5 mm plugg.
- Lavnivåinngang.
- Fjernkontroll følger med.
- Anlegget kan veggmonteres.
- Drives med medfølgende batterieliminatør.
- Mål, hovedenhet: 29 x 20 x 9 cm, høyttalere: 12 x 20 x 9 cm.

### 4. Knapper og funksjoner



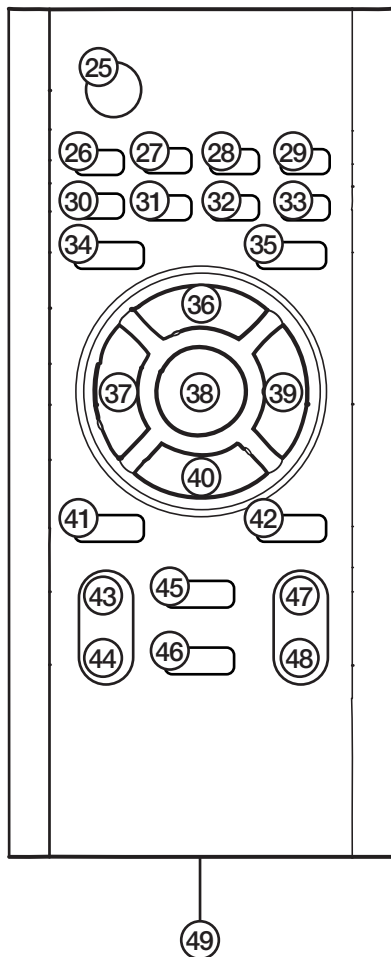
1. **R** – Utgang for høyre høyttaler
2. **L** – Utgang for venstre høyttaler
3. **PHONES** – Utgang for headset
4. **AUX** – Tilkobling for ytre lydkilder
5. **10 V DC** – 10 V DC, 1 A (+ i sentrum)
6. Antenne
7. Hull for veggmontering
8. Bordstøtte (utføllbar)



9. Cd-lokk
10. [FUNCTION/STANDBY] Funksjvelger og strømbryter
11. Kontrollampe - Lyster sterkt ved aktivisert "STANDBY"-modus
12. [MEM+/PLAY MODE/AL. ON/OFF] Velg ønsket radiostasjon (av stasjonene som er lagret i minnet). Aktivere/deaktivere alarm
13. [MEM/CLK ADJ] Innstilling av tid, bekrefte
14. [- VOLUME/AL.SET] Redusere volumet, innstilling av alarm
15. [+ VOLUME/SNOOZE] Heve volumet, trykk for å aktivisere snoozefunksjonen
16. Sensor for fjernkontroll
17. LCD-display
18. [◀/-SKIP/TUNE] Gå bakover
19. [▶/SKIP/TUNE] Gå framover
20. [■ BAND] Stoppe avspilling, velge bølgelengde AM-FM
21. [▶ || /ST/MONO] Starte avspilling eller ta pause, velg mono eller stereo
22. [▲/OPEN/CLOSE] Åpne/stenge cd-lokket
23. Usb-tilkobling
24. Flash Card. Tilkobling for minnekort

## Fjernkontroll

25. [⏻] Strømbryter 0 – 1
26. [FUNCTION] Funksjonsvelger.  
Velg mellom: CD – TUNER – AUX – USB – SD
27. [REPEAT] Repetisjon. Velg mellom "REPEAT ONE" (repetere den pågående) og "REPEAT ALL" (repetere alle)
28. [SLEEP] Sleep-funksjon. Velg å aktivere/deaktivere automatisk avstengningsfunksjon
29. [OPEN/CLOSE] Åpne/stenge cd-lokket
30. [AL.ON/OFF] Alarm aktivere/deaktivere automatisk alarmfunksjon
31. [AL.SET] Innstilling av alarmtid/Bekreft
32. [INTRO] Spille av de første 10 sekundene av hvert spor
33. [RANDOM] Spille av alle spor i tilfeldig rekkefølge
34. [TRACK -10] Spor 10 bakover
35. [TRACK +10] Spor 10 forover
36. [FOLDER-M.UP] Gå til neste radiostasjon/spor på minne/mappe
37. [⏮] Gå tilbake
38. [SNOOZE/ID3 DISPLAY] "Sleep"-modus i 5 minutter til/vis artistinformasjon
39. [⏭] Gå fram
40. [FOLDER-M.DN] Gå til foregående radiostasjon/spor på minne/mappe
41. [STOP/BAND] CD: Stopp avspilling; Radio: Skifte mellom AM og FM
42. [▶ || /ST./-MONO] CD: Start eller ta pause fra avspillingen/Radio: Skifte mellom stereo og mono
43. [EQ] Velg mellom forskjellige lydbilder (EQ)
44. [BASS] Aktiver/deaktiver bassforsterking
45. [PROGRAM CLOCK ADJ] Lagre radiostasjon/cd-spor i minnet/Innstilling av klokke
46. [MUTE] Stenger lyden
47. [VOL +] Heve volumet
48. [VOL-] Reduser volumet
49. Batteriholder



## 5. Komme i gang

### Sett batteri i fjernkontrollen

1. Trekk ut fjernkontrollens batteriholder (på den ene kortsiden).
2. Plasser et batteri (CR2025, 3 V) i holderen. Følg merkingen.
3. Trykk inn batteriholderen (med batteri i). Vend merkingen Upward oppover mot knappene.

**Obs!** Utsett ikke batteriet for høy temperatur.

### Plassering

Plasser musikkanlegget på et bord (fold ut bordstøtten) eller heng det opp på en vegg.

### Koble til høyttalerne

Den venstre høyttaleren til L (2) og den høyre til R (1).

**Obs!** Høyttalerne kobles før musikkanlegget skrur på.

## 6. Bruk

### 6.1 Klokke

**Obs! Musikkanlegget må være i standby-modus\* når klokkeslettet stilles inn.**

1. Trykk på [MEM/CLK ADJ] (13). "24" blinker.
2. Velg visningsformat: 12- eller 24-timersvisning med [◀/SKIP/TUNE] (18) eller [▶/SKIP/TUNE] (19).
3. Trykk på [MEM/CLK ADJ] (13) igjen for å bekrefte innstillingen.
4. Trykk på [◀/SKIP/TUNE] (18) eller [▶/SKIP/TUNE] (19) for å stille inn timene.
5. Trykk på [MEM/CLK ADJ] (13) igjen for å bekrefte innstillingen.
6. Fortsett på samme måte for å stille inn minutter.

\* **Kontrollampen (11) lyser.**

### 6.2 Alarm

**Klokken må stilles før alarmtiden kan stilles inn.**

1. Trykk på [- VOLUME/AL.SET] (14) eller [AL.SET] (31) for å stille inn alarmtiden.
2. Timeangivelsen blinker. Trykk på [◀] (37) eller [▶] (39) for å stille inn ønsket time.
3. Trykk på [AL.SET] (31) for å bekrefte.
4. Minuttangivelsen blinker. Trykk på [◀] (37) eller [▶] (39) for å stille inn minutter. Trykk på [AL.SET] (31) for å bekrefte.
5. "BUZZ" blinker i displayet. Trykk på [◀] (37) eller [▶] (39) for å velge ønsket funksjon: **BUZZ** (summer), **TUNER** (radio), **CD**, **USB**, **CARD** (minnekort). **Obs!** Hvis du velger "USB" eller "CD" må du ikke fjerne lydilden fra anlegget, dersom alarmen er aktivert.

6. Når den innstilte tiden inne, vil en summer varsle eller musikkanlegget starte automatisk. Trykk på [+ VOLUME/SNOOZE] (15) eller [SNOOZE/ID3 DISPLAY] (38) for å aktivere snoozefunksjonen\* i 5 minutter. Etter 5 minutter låter summeren igjen. \*Snoozefunksjonen fungerer kun hvis "BUZZER" er valgt.

**Obs!** Innstillingene slettes hvis støpselet trekkes ut av strømuttaket.

### 6.3 EQ

Still inn equalizer: Trykk på [EQ] (43) gjentatte ganger og velg mellom: **NO EQ** (nøytralt lydbilde)-**CLASSIC-JAZZ-ROCK-POP**.

### 6.4 BASS

Aktivere/deaktivere bassforsterkning ved å trykke på [BASS] (44). Når denne funksjonen er aktivert vises "BASS" øverst i displayet.

### 6.5 SLEEP

**Automatisk avstengning av anlegget etter en viss tid (inntil 90 minutter).**

1. Trykk på [SLEEP] (28) gjentatte ganger og velg ønsket tid for stenging. **SLEEP 90** vises først i displayet. Trykk flere ganger for å telle ned til avstengning i 10 minutters intervaller.
2. Når man når innstilt tid, vil musikkanlegget skrus av.
3. SLEEP-FUNCTION skrus av ved at man trykker på [SLEEP] (28) gjentatte ganger ned til **10**. Etter det trykker man én gang til.

### 6.6 MUTE

Lyden skrus av midlertidig ved å trykke på [MUTE] (46). Trykk en gang til for å aktivere lyden igjen.

### 6.7 FUNCTION

Velg ønsket funksjon ved å trykke på [FUNCTION] (26) gjentatte ganger: **CD** (cd-plate) -**TUNER** (radio) – **AUX** (ytre lydkilde) – **USB** (usb-minne) – **SD** (minnekort).

### 6.8 Høre på CD/MP3

1. Musikkanlegget skrus på enten ved å trykke på [FUNCTION/STANDBY] (10) eller [⏻] (25).
2. Trykk på [FUNCTION/STANDBY] (10) eller på [FUNCTION] (26) for å velge CD.
3. CD-lokket (9) åpnes ved å trykke på [▲/OPEN/CLOSE] (22) eller [OPEN/CLOSE] (29).
4. Legg i en cd-plate.
5. CD-lokket (9) stenges ved å trykke på [▲/OPEN/CLOSE] (22) eller [OPEN/CLOSE] (29).

## 6.9 Juster volumet

Juster volumet med volumkontrollene: [- VOLUME/AL.SET] (14), [+ VOLUME/SNOOZE] (15), [VOL+] (47) eller [VOL-] (48). Trykk på [BASS] (44) dersom du ønsker ekstra bassforsterkning.

## 6.10 Play og Paus

1. Trykk på [▶ || /ST/MONO] (21) for å starte avspillingen.
2. Trykk på [▶ || /ST/MONO] (21) en gang til for å stoppe avspillingen midlertidig (ta pause).
3. Trykk på [▶ || /ST/MONO] (21) en gang til for å gjenoppta avspillingen der den ble avbrutt.

## 6.11 Velg foregående spor eller neste spor

Trykk på [◀◀/-SKIP/TUNE] (18) eller [◀◀] (37) for å gå til foregående spor. Trykk på [▶▶/-SKIP/TUNE] (19) eller [▶▶] (39) for å gå til neste spor.

## 6.12 Stopp avspillingen

Trykk på [■ BAND] (20) eller [STOP/BAND] (41) CD: Stopp avspilling/Radio: Skifte mellom AM og FM.

## 6.13 Programmere inn en spilleliste

I cd/mp3-modus, trykk [PROGRAM CLOCK ADJ] (45) eller [MEM/CLK ADJ] (13) for å åpne minnefunksjonen.

### CD-modus

I cd-modus med stoppet avspilling:

1. "T00" blinker.
2. "P01" vises velg ønsket spor med [◀◀] (37) eller [▶▶] (39), trykk på [PROGRAM CLOCK ADJ] (45) eller [MEM/CLK ADJ] (13) for å bekrefte ditt valg.
3. Gjør det samme med de andre sporene. Minnet kan lagre inntil 20 spor.

### MP3-modus

I MP3-modus med stoppet avspilling:

1. "F00" blinker.
2. "P01" vises, velg ønsket mappe med [◀◀] (37), [▶▶] (39), [FOLDER-M.DN] (40) eller [FOLDER-M.UP] (36). Trykk [PROGRAM CLOCK ADJ] (45) eller [MEM/CLK ADJ] (13) for å bekrefte valget ditt.
3. "T00" blinker.
4. Velg ønsket spor med [◀◀] (37) eller [▶▶] (39) Trykk [PROGRAM CLOCK ADJ] (45) eller [MEM/CLK ADJ] (13) for å bekrefte valget ditt.
5. Gjør det samme med de andre sporene. Minnet kan lagre inntil 99 spor. Trykk på [▶ || /ST/MONO] (21) for å starte avspillingen.

Spillelisten kan slettes ved at du:

- Trykker på [■ BAND] (20) eller [STOP/BAND] (41) for å stoppe avspillingen.
- Trykk på [▲/OPEN/CLOSE] (22) for å åpne cd-lokket.

## 6.14 Repetisjon

Trykk gjentatte ganger på [MEM+/PLAY MODE/AL. ON/OFF] (12) eller [REPEAT] (27) for å repetere avspillingen. Displayet viser valgt funksjon:

- **REPEAT 1** – det aktuelle sporet spilles gjentatte ganger.
- **REPEAT ALL** – hele cd-platen/usb-minnet spilles gjentatte ganger.
- **REPEAT FOLDER** (kun i MP3-modus) – hele mappen spilles gjentatte ganger.
- **RANDOM** – Hør på alle spor i tilfeldig rekkefølge.
- **INTRO** - Spille av de første 10 sekundene av hvert spor.

## 6.15 Lytte på radio

1. Musikkkanlegget skrur på ved enten å trykke på [FUNCTION/STANDBY] (10) eller [⏻] (25).
2. Trykk på [FUNCTION/STANDBY] (10) eller på [FUNCTION] (26) for å velge "TUNER".
3. Trykk på [■ BAND] (20) eller [STOP/BAND] (41) for å velge bølgelengde AM (mellombølge) eller FM.
4. Velg stereo eller mono med [▶ || /ST./-MONO] (42) eller [▶ || /ST/MONO] (21). "Stereo" vises på displayet ved mottak av stereolyd. Velg "Mono" dersom det er dårlige mottaksforhold der du er.

### Still inn ønsket stasjon

**Manuell stasjonssøking:** Trykk gjentatte ganger på [◀◀] (37) eller [▶▶] (39).

**Automatisk søking av stasjon:** Trykk og hold [◀◀] (37) eller [▶▶] (39) inne i ca. to sekunder for å starte søking. Søket stopper når radioen finner en stasjon. Trykk og hold inne igjen for å finne neste stasjon.

**Obs!** AM-mottaket kan forbedres ved å dreie på hele musikkkanlegget. Anlegget har innebygd AM-antenne. FM-mottaket kan forbedres ved å vikle ut hele trådantennen og flytte litt på den.

## 6.16 Lagre en radiostasjon i minnet

Radiostasjonen som du lytter på kan lagres i minnet, når du måtte ønske det.

1. Trykk på [PROGRAM CLOCK ADJ] (45) eller [MEM/CLK ADJ] (13).
2. Trykk på [MEM+/PLAY MODE/AL. ON/OFF] (12) for å lagre stasjonen under. Gi den et nummer, slik at du husker hvor den er å finne.
3. Trykk på [◀◀] (37) eller [▶▶] (39) for å velge ønsket radiostasjon.
4. Trykk [PROGRAM CLOCK ADJ] (45) eller [MEM/CLK ADJ] (13) for å bekrefte og å lagre valget ditt.

40 kanaler kan lagres i minnet. 20 kanaler for FM og 20 for AM.

**Obs!** Radiostasjonene hentes fra minnet ved hjelp av knappene [FOLDER-M.DN] (40) eller [FOLDER-M.UP] (36).

Stasjonsminnet trenger ikke å slettes. Man kan lagre nye stasjoner over de gamle i minne.



## 6.17 Bruk av ekstern lydkilde (AUX)

1. Trykk på [FUNCTION/STANDBY] (10) eller på [FUNCTION] (26) for å velge "AUX IN".
2. Lydkilden kobles til AUX (4) med en kabel med 3,5 mm stereoplugg (kabel medfølger ikke).
3. Start avspillingen i den tilkoblede lydkilden.
4. Juster volumet på musikkanlegget med [VOL+] (47) eller [VOL-] (48). Juster volumet på den tilkoblede eksterne lydkilden dersom lyden er dårlig.

## 6.18 Bruk av USB-minne

1. Trykk på [FUNCTION/STANDBY] (10) eller på [FUNCTION] (26) for å velge "USB".
2. Cd-lokket (9) åpnes ved å trykke på [▲/OPEN/CLOSE] (22) eller [OPEN/CLOSE] (29).
3. Et usb-minne kobles til usb-uttaket (24). Steng cd-lokket.
4. Displayet viser "USB".
5. Start avspillingen med [▶ || /ST./-MONO] (42).
6. Juster volumet på musikkanlegget med [VOL+] (47) eller [VOL-] (48).

## 6.19 Bruk av SD/MMC minnekort

1. Trykk på [FUNCTION/STANDBY] (10) eller på [FUNCTION] (26) for å velge "SD/MMC CARD".
2. Cd-lokket (9) åpnes ved å trykke på [▲/OPEN/CLOSE] (22) eller [OPEN/CLOSE] (29).
3. Minnekortet kobles til FLASH CARD (23). Steng cd-lokket.
4. "SD/MMC" vises i displayet.
5. Start avspillingen med [▶ || /ST./-MONO] (42).
6. Juster volumet på musikkanlegget med [VOL+] (47) eller [VOL-] (48).
7. Avspillingen stopper automatisk når alle sporene er avspilt.

## 6.20 Lytte via headset

Skru av volumet og koble headsetet til PHONES-uttaket (3). Lyden på anlegget forsvinner når headsetet kobles til.

# 7. Stell og vedlikehold

Bruk en myk, tørr klut for å rengjøre anlegget. Bruk ikke rengjøringsmidler som inneholder alkohol, ammoniakk, benzen eller slipende midler, da dette kan skade dekslet.

## 8. Feilsøking

### Det går ikke å skru på musikkanlegget.

- Kontroller at batterieliminatoren og DC-pluggen er riktig koblet.

### Ingen lyd fra høyttalerne.

- Kontroller at kablene er riktig koblet til.
- Kontroller at volumet ikke står på "0"
- Kontroller at du har valgt riktig "FUNCTION": CD – TUNER – AUX – USB – SD.
- Kontroller om headsetet er koblet til uttaket (3). Dersom de er det skrus høyttalerne av automatisk.

### Dårlig lyd

- Er det innretninger (TV, fryser etc.) i nærheten som kan forstyrre. Flytt på musikkanlegget.
- Kontroller at radioen er riktig innstilt (når du lytter på radio).
- Senk volumet.

### Fjernkontrollen fungerer ikke.

- Påse at det ikke er noen hinder mellom fjernkontrollen og anlegget.
- Rett fjernkontrollen mot sensoren.
- Sterkt sollys mot sensoren kan forstyrre overføringen.
- Kontroller batteriene i fjernkontrollen. Skift batterier ved behov.

### CD-platen kan ikke leses.

- Ved store temperaturoendringer kan det danne seg et lag med vandamp på linsen til spilleren. Vent en stund og la dampen forsvinne.

### Det kan ikke spilles filer fra USB eller SD/MMC.

- Benytt kun USB-MSC (USB-MTP støttes ikke).
- Kontroller at minnet har filer i MP3- eller WMA-format.
- Kontroller at minnekortet ikke er større enn 2 GB (HCSD støttes ikke).
- DRM-kryptert WMA-filer støttes ikke.

### CD-spilleren starter ikke.

- Kontroller at CD-platen er satt riktig inn.
- Kontroller om CD-platen er skitten eller skadet.
- Kontroller at minnet har filer i MP3- eller WMA-format.
- DRM-kryptert WMA-filer støttes ikke.

### Korte avbrekk i avspillingen.

- Kontroller om CD-platen er skitten eller skadet.
- Påse at anlegget er plassert på et stabilt sted.

### Ett og samme spor spilles hele tiden.

- Kontroller REPEAT-innstillingen (hvis den er aktivert vil det vises i displayet).
- Kontroller at CD-lokket (9) er lukket ordentlig.

### Det er ikke mulig å bruke FUNCTION.

- Kontroller at CD-lokket (9) er lukket ordentlig.

## 9. Avfallshåndtering

Når produktet skal kasseres, må det skje i henhold til lokale forskrifter. Ved usikkerhet, ta kontakt med lokale myndigheter.



## 10. Spesifikasjoner

Strømforsyning:	230 V AC, 50 Hz
Uteffekt:	2 x 2,5 W
Mål:	Hovedenhet: 29 x 20 x 9 cm
	Høytaler: 12 x 20 x 9 cm

### Radio

Frekvensområde:	AM 522 – 1 620 kHz
	FM 88 - 108 MHz

### CD-spiller

Pickup:	3-beam
Frekvensomfang:	100 Hz - 16 kHz

# Ministereio

Tuotenro 18-8148    Malli KS-3398F-UK  
38-3511                      KS-3398F

Lue käyttöohjeet ennen tuotteen käyttöönottoa. Säilytä käyttöohjeet tulevaa tarvetta varten. Pidätämme oikeuden teknisten tietojen muutoksiin. Emme vastaa mahdollisista teksti- tai kuvavirheistä. Jos laitteeseen tulee teknisiä ongelmia, ota yhteys myymälään tai asiakaspalveluun (yhteystiedot käyttöohjeen lopussa).

## 1. Turvallisuusohjeita

- Laitteen saa korjata vain valtuutettu huoltoliike.
- Älä pura tai muuta laitetta.
- Älä peitä laitetta. Riittävä ilmastointi (vähintään 15 cm ilmastointiaukon ja ympäröivän pinnan välillä) on välttämätön, jotta laitteen ylikuumeneminen estetään.
- Poista paristot, jos laite on pitkään käyttämättä. Näin estetään paristojen vuotaminen.
- Älä pura tai muuta laitetta. Tuotteen rungon sisällä on vaarallista jännitettä sisältäviä suojaamattomia komponentteja. Niiden koskettaminen voi johtaa tulipaloon tai sähköiskuun.
- Tuote on tarkoitettu vain sisäkäyttöön.
- Älä altista tuotetta liian korkeille lämpötiloille, pölylle, tärinälle, iskuille, kosteudelle tai vedelle.
- Älä sijoita laitetta sellaiseen paikkaan, josta se voi tippua veteen tai muuhun nesteeseen. Älä laita laitteen päälle nesteitä sisältäviä esineitä, kuten maljakoita tai limsapulloja.
- Katkaise laitteen virta irrottamalla sen pistoke seinäpistorasiasta. Pistokkeen tulee olla sellaisessa paikassa, johon on helppo päästä.

## 2. Huomioi seuraavat turvallisuussymbolit



**VAROITUS!** Älä avaa laitteen kotelo! Tuotteen rungon sisällä on vaarallista jännitettä sisältäviä suojaamattomia komponentteja. Niiden koskettaminen voi johtaa tulipaloon tai sähköiskuun.



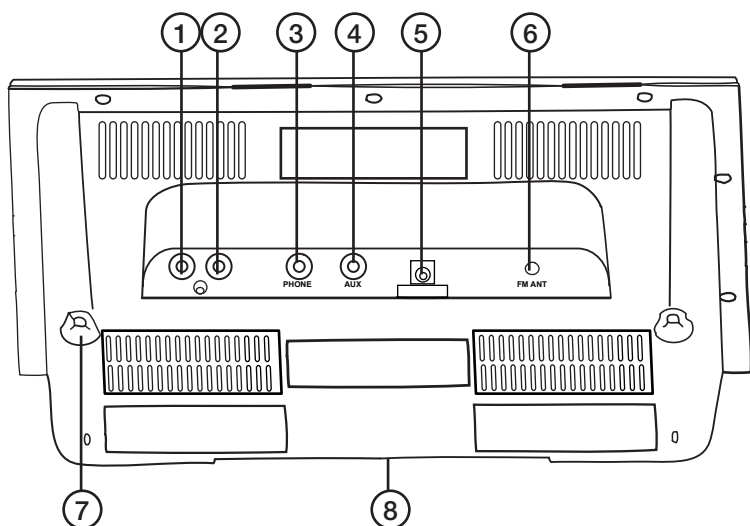
### LUOKAN 1 LASERLAITE

**VAROITUS!** Älä avaa laitteen kotelo! Kotelon sisällä oleva näkyvän lasersäde voi aiheuttaa silmävaurioita. Älä katso säteeseen edes optisten instrumenttien läpi.

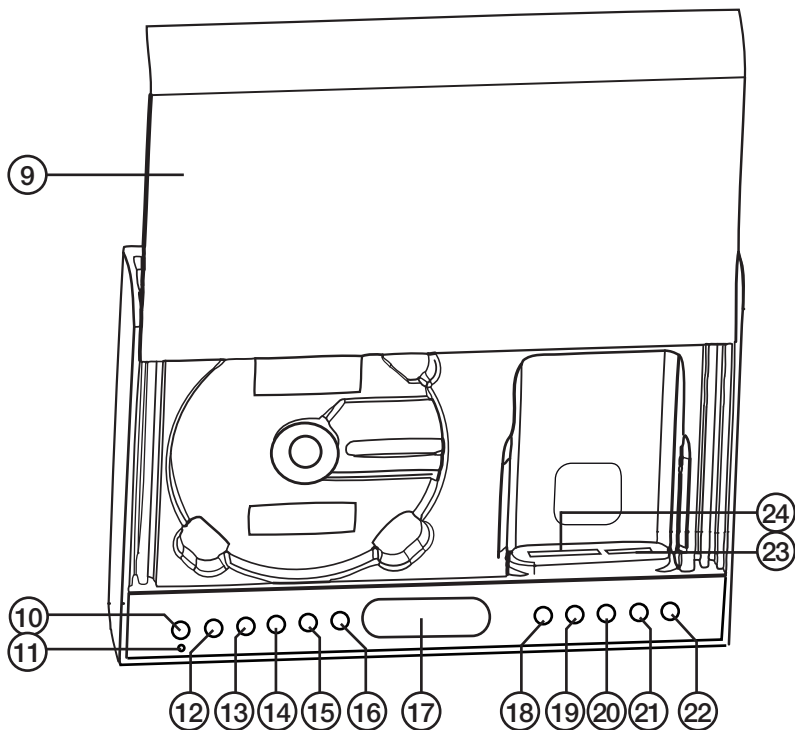
### 3. Tuotekuvaus

- Ministereet, joissa cd-/mp3-soitin ja AM/FM-radio.
- Liitäntä USB- ja SD-muisteille.
- 3,5 mm:n kuulokeliitäntä.
- Matalatasoliitäntä.
- Mukana kaukosäädin.
- Voidaan asentaa seinälle.
- Toimii mukana tulevalla muuntajalla.
- Soittimen mitat 29x20x9 cm, kaiuttimien mitat 12x20x9 cm.

### 4. Painikkeet ja toiminnot



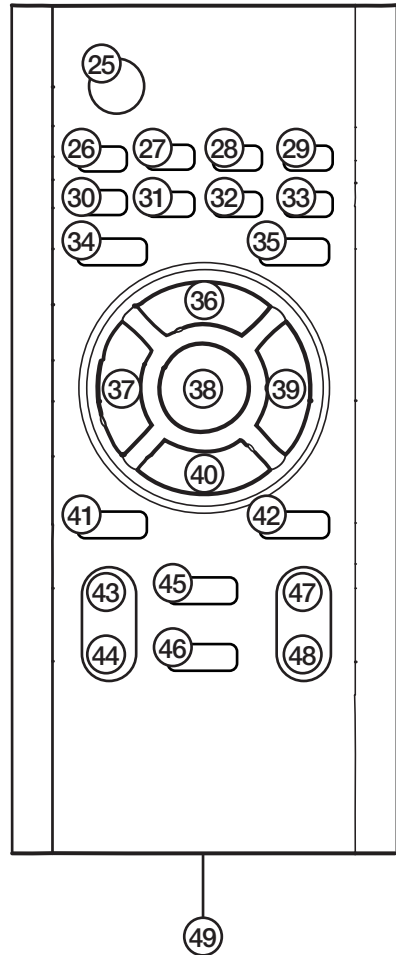
1. **R** – Oikean kaiuttimen liitäntä.
2. **L** – Vasemman kaiuttimen liitäntä.
3. **PHONES** – Kuulokeliitäntä.
4. **AUX** – Ulkoisen äänilähteen liitäntä.
5. **DC 10 V** – DC-liitäntä 10 V, 1 A (+ keskellä).
6. Antenni.
7. Ripustusreikä.
8. Taitettava pöytätuki.



9. Cd-kansi.
10. [FUNCTION/STANDBY] – Toiminnonvalitsin ja virtakytkin.
11. Merkkivalo – Palaa valmiustilassa.
12. [MEM+/PLAY MODE/AL. ON/OFF] – Radioaseman valinta (soittimen muistissa olevat radioasemat), herätyksen sammuttaminen/aktivoiminen.
13. [MEM/CLK ADJ] – Kellonajan asettaminen, vahvistaminen.
14. [- VOLUME/AL.SET] – Äänenvoimakkuuden alentaminen, herätyksen asettaminen.
15. [+ VOLUME/SNOOZE] – Äänenvoimakkuuden lisääminen, torkkutoiminnon aktivoiminen.
16. Kaukosäätimen tunnistin.
17. LCD-näyttö.
18. [⏮/-SKIP/TUNE] – Siirry taaksepäin.
19. [⏭/-SKIP/TUNE] – Siirry eteenpäin.
20. [■ BAND] – Toiston keskeyttäminen, AM-FM-aallonpituuden valinta.
21. [▶ || /ST/MONO] – Toiston aloittaminen ja tauko, monon tai stereon valinta.
22. [▲/OPEN/CLOSE] – Cd-lokeron avaaminen ja sulkeminen.
23. USB-liitäntä.
24. Flash Card – Liitäntä muistikortille.

## Kaukosäädin

25. [⏻] Virtakytkin 0 – 1.
26. [FUNCTION] Toiminnonvalitsin.  
Valitse seuraavista: CD – TUNER – AUX – USB – SD.
27. [REPEAT] Uudelleentoisto. Vaihtoehtoina "REPEAT ONE" (senhetkisen raidan uudelleentoisto) ja "REPEAT ALL" (kaikkien uudelleentoisto).
28. [SLEEP] Uniajastin. Automaattisen sammutustoiminnon aktivoiminen/sammuttaminen.
29. [OPEN/CLOSE] Cd-luukun avaaminen/sulkeminen.
30. [AL.ON/OFF] Herätyksen aktivoiminen/automaattisen herätystoiminnon sammuttaminen.
31. [AL.SET] Herätysajan asettaminen/vahvistaminen.
32. [INTRO] Jokaisen raidan 10 ensimmäisen sekunnin toisto.
33. [RANDOM] Cd-levyn kaikkien raitojen toisto satunnaisessa järjestyksessä.
34. [TRACK -10] Siirry 10 raitaa taaksepäin.
35. [TRACK +10] Siirry 10 raitaa eteenpäin.
36. [FOLDER-M.UP] Siirryy seuraavaan radioasemaan/muistin raitaan/kansioon.
37. [⏮] Palaa edelliseen.
38. [SNOOZE/ID3 DISPLAY] Torkku-tila 5 minuutin ajan; artistitiedot.
39. [⏭] Siirryy seuraavaan.
40. [FOLDER-M.DN] Siirryy edelliseen radioasemaan/muistin raitaan/kansioon.
41. [STOP/BAND] CD Toiston keskeytys; Radio: AM/FM-kanavien valinta.
42. [▶ || /ST./-MONO] CD Toiston aloittaminen/tauko; Radio: Vaihtaa stereon ja monon välillä.
43. [EQ] Eri ääniominaisuuksien valinta (EQ).
44. [BASS] Basson aktivoiminen/sammuttaminen.
45. [PROGRAM CLOCK ADJ] Radioaseman/cd-raidan tallentaminen muistiin, kellonajan asettaminen.
46. [MUTE] Äänen tilapäinen mykistys.



47. [VOL+] Äänenvoimakkuuden lisääminen.
48. [VOL-] Äänenvoimakkuuden lisääminen
49. Paristolokero.

## 5. Käytön aloittaminen

### Paristojen asettaminen kaukosäätimeen

1. Vedä kaukosäätimen paristopidike ulos (lyhyeltä puolelta).
2. Aseta paristo (CR2025, 3 V) paristolokeron merkintöjen mukaisesti.
3. Paina paristopidike (jossa paristo) kaukosäätimeen, Käännä **Upward**-merkintä ylöspäin kohti painikkeita.

Huom.! Älä altista paristoa liian korkealle lämpötilalle.

### Soittimen sijoittaminen

Sijoita soitin pöydälle (taita ensin pöytätuki auki) tai ripusta soitin seinälle.

### Kaiuttimien liittäminen

Liitä vasen kaiutin **"L"-liitäntään** (2) ja oikea kaiutin **"R"-liitäntään** (1).

Huom.! Liitä kaiuttimet aina ennen soittimen käynnistämistä.

## 6. Käyttö

### 6.1 Kello

**Huom.! Soittimen tulee olla valmiustilassa\* asettaessasi kellonajan.**

1. Paina [MEM/CLK ADJ] (13). "24" vilkkuu.
2. Valitse näyttötapa: 12 tai 24 tunnin näyttö painamalla [◀/-SKIP/TUNE] (18) tai [▶/+SKIP/TUNE] (19).
3. Vahvista asetukset painamalla uudelleen [MEM/CLK ADJ] (13).
4. Aseta tunnit painamalla [◀/-SKIP/TUNE] (18) tai [▶/+SKIP/TUNE] (19).
5. Vahvista asetukset painamalla [MEM/CLK ADJ] (13).
6. Aseta minuutit samalla tavalla.

\* **Merkkivalo (11) palaa.**

### 6.2 Herätys

**Kellonaika tulee asettaa ennen herätysajan asettamista.**

1. Aseta herätysaika painamalla [- VOLUME/AL.SET] (14) tai [AL.SET] (31).
2. Tunnit vilkkuvat. Aseta tunnit painamalla [◀] (37) tai [▶] (39).
3. Vahvista painamalla [AL.SET] (31).
4. Minuutit vilkkuvat. Aseta minuutit painamalla [◀] (37) tai [▶] (39). Vahvista painamalla [AL.SET] (31).
5. Näytöllä vilkkuu "BUZZ". Valitse haluamasi toiminto painamalla [◀] (37) tai [▶] (39): **BUZZ** (herätysääni), **TUNER** (radio), **CD**, **USB**, **CARD** (muistikortti).

**Huom!** Jos äänilähteeksi on valittu "USB" tai "CD", et voi poistaa valittua äänilähdettä soittimesta herätyksen ollessa aktiivisena.



6. Herätysääni tai soitin käynnistyy automaattisesti asetettuna aikana. Aktivoi torkku-toiminto\* 5 minuutin ajaksi painamalla [+ VOLUME/SNOOZE] (15) tai [SNOOZE/ID3 DISPLAY] (38). Soitin herättää uudelleen 5 minuutin kuluttua.

\*Torkkutoiminto toimii ainoastaan, jos olet valinnut BUZZER-toiminnon.

**Huom.!** Asetukset poistuvat, jos irrotat virtajohdon soittimesta.

### 6.3 Eq

Taajuuskorjaimen säätö (ääniominaisuudet): Paina useita kertoja [EQ] (43) ja valitse seuraavista: **NO EQ** (neutraali ääni)-**CLASSIC-JAZZ-ROCK-POP**.

### 6.4 Basso

Aktivoi/sammuta lisäbasso painamalla [BASS] (44). Kun lisäbasso on aktivoitu, näytön yläosassa lukee BASS.

### 6.5 Uniajastin

**Toiminto sammuttaa soittimen automaattisesti asettamasi ajan kuluttua (maks. 90 minuuttia).**

1. Paina [SLEEP] (28) useita kertoja ja valitse sammutusaika. Näytöllä näkyy ensin SLEEP 90. Painikkeen painaminen lyhentää päälläoloaikaa 10 minuuttia kerrallaan.
2. Soitin sammuu asetetun ajan jälkeen.
3. Sammuta uniajastin painamalla [SLEEP]-painiketta (28) riittävän monta kertaa.

### 6.6 Mykistys

Mykistä ääni tilapäisesti painamalla [MUTE] (46). Aktivoi ääni painamalla painiketta uudestaan.

### 6.7 Toiminnon valinta

Valitse toiminto [FUNCTION]-painikkeella (26): "CD" (cd-levy) -"TUNER" (radio) - "AUX" (ulkoinen äänilähde) - "USB" (USB-muisti) - "SD" (muistikortti).

### 6.8 Cd-/mp3-tiedostojen kuuntelu

1. Käynnistä soitin painamalla [FUNCTION/STANDBY] (10) tai [⏻] (25).
2. Valitse "CD" painamalla [FUNCTION/STANDBY] (10) tai [FUNCTION] (26).
3. Avaa cd-kansi (9) painamalla [▲/OPEN/CLOSE] (22) tai [OPEN/CLOSE] (29).
4. Laita soittimeen cd-levy.
5. Sulje cd-kansi painamalla [▲/OPEN/CLOSE] (22) tai [OPEN/CLOSE] (29).

## 6.9 Äänenvoimakkuuden säätö

Säädä äänenvoimakkuus painikkeilla: [- VOLUME/AL.SET] (14), [+ VOLUME/SNOOZE] (15), [VOL+] (47) tai [VOL-] (48). Valitse lisäbasso painamalla [BASS] (44).

## 6.10 Play ja Pause

1. Aloita toisto painamalla [▶ || /ST/MONO] (21).
2. Pidä tauko toistossa (pause) painamalla uudelleen [▶ || /ST/MONO] (21).
3. Jatka toistoa painamalla [▶ || /ST/MONO] (21).

## 6.11 Siirtyminen edelliseen tai seuraavaan raitaan

Palaa edelliseen raitaan painamalla [◀◀/-SKIP/TUNE] (18) tai [◀◀] (37).  
Siirry seuraavaan raitaan painamalla [▶▶/-SKIP/TUNE] (19) tai [▶▶] (39).

## 6.12 Toiston pysäytys

Paina [■ BAND] (20) tai [STOP/BAND] (41) CD: Toiston keskeytys; Radio: Vaihda AM/FM-kanavien välillä.

## 6.13 Soittolistan ohjelmointi

Avaa muistitoiminto painamalla cd/mp3-tilassa [PROGRAM CLOCK ADJ] (45) tai [MEM/CLK ADJ] (13).

### ***Cd-tila***

Cd-tilassa toiston ollessa pysäytettynä:

1. "T00" vilkkuu.
2. Näytöllä näkyy "P01", valitse raita painamalla [◀◀] (37) tai [▶▶] (39), vahvasta raidan valinta painamalla [PROGRAM CLOCK ADJ] (45) tai [MEM/CLK ADJ] (13).
3. Ohjelmoi muut raidat samalla tavalla. Muistiin mahtuu 20 raitaa.

### ***Mp3-tila***

Mp3-tilassa toiston ollessa pysäytettynä:

1. "F00" vilkkuu.
2. Näytöllä näkyy "P01", valitse kansio painamalla [◀◀] (37) tai [▶▶] (39), [FOLDER-M. DN] (40) tai [FOLDER-M.UP] (36). Vahvasta kansion valinta painamalla [PROGRAM CLOCK ADJ] (45) tai [MEM/CLK ADJ] (13).
3. "T00" vilkkuu.
4. Valitse raita painamalla [◀◀] (37) tai [▶▶] (39), vahvasta raidan valinta painamalla [PROGRAM CLOCK ADJ] (45) tai [MEM/CLK ADJ] (13).
5. Ohjelmoi muut raidat samalla tavalla. Muistiin mahtuu 99 raitaa.  
Aloita toisto painamalla [▶ || /ST/MONO] (21).

Soittolistan poistaminen:

1. Pysäytä toisto painamalla [■ BAND] (20) tai [STOP/BAND] (41).
2. Avaa cd-luukku painamalla [▲/OPEN/CLOSE] (22).

## 6.14 Uudelleentoisto

Paina useita kertoja [MEM+/PLAY MODE/AL. ON/OFF] (12) tai [REPEAT] (27) poistaaksesi soittolistan. Valittu toiminto näkyy näytöllä:

- **REPEAT 1** – senhetkisen raidan uudelleentoisto.
- **REPEAT ALL** - koko cd-levyn/USB-muistin uudelleentoisto.
- **REPEAT FOLDER** (vain mp3-tilassa) – koko kansion uudelleentoisto.
- **RANDOM**–levyn kaikkien raitojen satunnainen uudelleentoisto.
- **INTRO** – Jokaisen raidan 10 ensimmäisen sekunnin toisto.

## 6.15 Radion kuuntelu

1. Käynnistä soitin painamalla [FUNCTION/STANDBY] (10) tai [⏻] (25).
2. Valitse "TUNER" painamalla [FUNCTION/STANDBY] (10) tai [FUNCTION] (26).
3. Valitse aallonpituus AM (keskiaalto) tai FM painamalla [■ BAND] (20) eller [STOP/BAND] (41).
4. Valitse stereo tai mono painamalla [▶ || /ST./-MONO] (42) eller [▶ || /ST/MONO] (21). Stereovastaanoton ollessa valittuna näytöllä lukee "Stereo". Valitse, "Mono", jos vastaanotto on heikko.

### *Valitse radiokanava*

**Kanavien manuaalinen haku:** Paina useita kertoja [◀◀] (37) tai [▶▶] (39).

**Kanavien automaattinen haku:** Aloita haku painamalla [◀◀] (37) tai [▶▶] (39) noin kahden sekunnin ajan. Haku pysähtyy ensimmäisen kanavan kohdalla. Hae seuraava kanava painamalla uudelleen.

**Huom.!** AM-vastaanottoa voidaan parantaa muuttamalla soittimen asentoa. FM-vastaanottoa voidaan parantaa muuttamalla antennin asentoa.

## 6.16 Radiokanavien tallentaminen muistiin

Voit tallentaa kuuntelemasi radiokanavan seuraavalla tavalla.

1. Paina [PROGRAM/CLOCK ADJ] (45) tai [MEM/CLK ADJ] (13).
  2. Paina [MEM+/PLAY MODE/AL. ON/OFF] (12) tallenna asema tietyn numeron kohdalle.
  3. Valitse radioasema painamalla [◀◀] (37) tai [▶▶] (39).
  4. Vahvista ja tallenna valinta painamalla [PROGRAM/CLOCK ADJ] (45) tai [MEM/CLK ADJ] (13).
- Muistiin mahtuu 40 kanavaa. 20 FM-kanavaa ja 20 AM-kanavaa.
  - **Huom.!** Hae radiokanavat muistista painamalla [FOLDER-M.DN] (40) tai [FOLDER-M.UP] (36).
  - Kanavia ei tarvitse poistaa muistista, sillä uudet kanavat tallentuvat vanhojen kanavien muistipaikoille.

## 6.17 Ulkoisen äänilähteen liittäminen (AUX)

1. Valitse "AUX IN" painamalla [FUNCTION/STANDBY] (10) tai [FUNCTION] (26).
2. Liitä äänilähde AUX-liitäntään (4) kaapelilla, jossa on 3,5 mm:n stereopistoke (kaapeli ei sisälly).
3. Aloita musiikin toisto liitetystä laitteesta.
4. Säädä äänenvoimakkuutta painamalla [VOL+] (47) tai [VOL-] (48). Säädä liitetyn äänilähteen äänenvoimakkuutta, jos ääni ei kuulu kunnolla.

## 6.18 Usb-muistin käyttö

1. Valitse USB painamalla [FUNCTION/STANDBY] (10) tai [FUNCTION] (26).
2. Avaa cd-kansi (9) painamalla [▲/OPEN/CLOSE] (22) tai [OPEN/CLOSE] (29).
3. Liitä USB-muisti USB-liitäntään (24). Sulje cd-luukku.
4. Näytöllä lukee "USB".
5. Aloita toisto painamalla [▶ || /ST./-MONO] (42).
6. Säädä äänenvoimakkuutta painamalla [VOL+] (47) tai [VOL-] (48).

## 6.19 SD/MMC-muistikortin käyttö

1. Valitse SD/MMC CARD painamalla [FUNCTION/STANDBY] (10) tai [FUNCTION] (26).
2. Avaa cd-kansi (9) painamalla [▲/OPEN/CLOSE] (22) tai [OPEN/CLOSE] (29).
3. Liitä muistikortti FLASH CARD -liitäntään (23). Sulje cd-luukku.
4. Näytöllä lukee "SD/MMC".
5. Aloita toisto painamalla [▶ || /ST./-MONO] (42).
6. Säädä äänenvoimakkuutta painamalla [VOL+] (47) tai [VOL-] (48).
7. Toisto päättyy automaattisesti, kun kaikki raidat on toistettu.

## 6.20 Kuulokkeiden käyttö

Säädä äänenvoimakkuus pieneksi ja liitä kuulokkeet PHONES-liitäntään (3). Kaiuttimista ei kuulu ääntä, kun kuulokkeet on liitetty.

# 7. Huolto ja ylläpito

Käytä puhdistamiseen pehmeää ja kuivaa liinaa. Älä käytä puhdistusaineita, jotka sisältävät alkoholia, ammoniakkaa, bensiiniä tai hioivia aineita. Ne voivat vahingoittaa kuorta.

## 8. Vianhakutaulukko

### Soitinta ei voi käynnistää.

- Varmista, että muuntaja ja DC-liitin on oikein kytketty.

### Kaiuttimista ei kuulu mitään.

- Varmista, että kaiuttimet on oikein kytketty.
- Varmista, ettei äänenvoimakkuus ole "0"
- Varmista, että olet valinnut oikean toiminnon (FUNCTION): CD – TUNER – AUX – USB – SD.
- Varmista, onko kuulokkeita liitetty liitäntään (3). Jos soittimeen on liitetty kuulokkeet, kaiuttimista ei kuulu ääntä.

### Äänenlaatu on huono.

- Lähistöllä on laitteita (TV, pakastin tms), jotka aiheuttavat häiriötä. Siirrä soitin toiseen paikkaan.
- Varmista, että radio on säädetty oikein (jos kuuntelet radiota).
- Pienennä äänenvoimakkuutta.

### Kaukosäädin ei toimi.

- Varmista, ettei kaukosäätimen ja soittimen sensorin (16) välissä ole esteitä.
- Suuntaa kaukosäädin kohti soittimen sensoria (16).
- Sensoriin (16) osuva voimakas auringonvalo voi häiritä signaalia.
- Tarkista kaukosäätimen paristot. Vaihda tarvittaessa.

### Soitin ei lue cd-levyä.

- Soittimen linssiin voi kertyä kosteutta, jos soitin altistuu suurille lämpötilan vaihteluille. Odota hetki, kunnes kosteus poistuu.

### Soitin ei voi toistaa tiedostoja USB- tai SD/MMC-muisteilta.

- Käytä ainoastaan USB-MSC-muistia (USB-MTP-formaattia ei tueta).
- Varmista, että muistin tiedostot ovat Mp3- tai WMA-muodossa.
- Varmista, ettei muistikortti ole suurempi kuin 2 Gt (HCSD-formaattia ei tueta).
- DRM-salattuja WMA-tiedostoja ei tueta.

### Cd-soitin ei käynnisty.

- Varmista, että cd-soitin on oikein päin soittimessa.
- Varmista, ettei cd-levy ole likainen, naarmuuntunut tai viallinen.
- Varmista, että muistin tiedostot ovat Mp3- tai WMA-muodossa.
- DRM-salattuja WMA-tiedostoja ei tueta.

### Toistossa on lyhyitä taukoja.

- Varmista, ettei cd-levy ole likainen, naarmuuntunut tai viallinen.
- Varmista, että soitin on paikassa, jossa se ei altistu tärinälle.

### Soitin toistaa vain yhtä raitaa jatkuvasti.

- Varmista, ettei uudelleentoisto-toiminto ole päällä. Aktivoitu uudelleentoisto näkyy näytöllä.
- Varmista, että cd-luukku (9) on suljettu.

### FUNCTION-painike ei toimi.

- Varmista, että cd-luukku (9) on suljettu.

## 9. Kierrätys

Kierrätä tuote asianmukaisesti, kun poistat sen käytöstä. Tarkempia kierrätysohjeita saat kuntasi jäteneuvonnasta.



## 10. Tekniset tiedot

Virtalähde: 230 V AC, 50 Hz  
Antoteho: 2 x 2,5 W  
Mitat: Soitin: 29x20x9 cm  
Kaiutin: 12x20x9 cm

### Radio

Taajuusalue: AM 522 – 1620 kHz  
FM 88–108 MHz

### Cd-soitin

Lukupää: 3-beam  
Taajuusalue: 100 Hz ~ 16 kHz



## Sverige

---

Kundtjänst           Tel: 0247/445 00  
                          Fax: 0247/445 09  
                          E-post: kundtjanst@clasohlson.se

Internet               www.clasohlson.se

Post                   Clas Ohlson AB, 793 85 INSJÖN

## Norge

---

Kundesenter         Tlf.: 23 21 40 00  
                          Faks: 23 21 40 80  
                          E-post: kundesenter@clasohlson.no

Internett             www.clasohlson.no

Post                   Clas Ohlson AS, Postboks 485 Sentrum, 0105 OSLO

## Suomi

---

Asiakaspalvelu     Puh.: 020 111 2222  
                          Sähköposti: info@clasohlson.fi

Internet             www.clasohlson.fi

Osoite               Clas Ohlson Oy, Annankatu 34–36 A, 00100 HELSINKI

## Great Britain

---

For consumer contact, please visit  
www.clasohlson.co.uk and click on  
customer service.

Internet             www.clasohlson.co.uk

**clas ohlson**