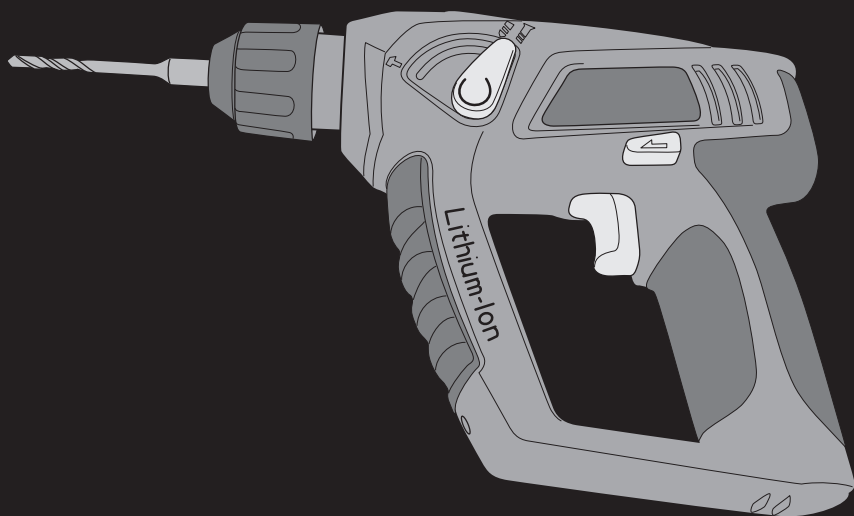


CO/TECH®

Rotary hammer/ power drill/ power screwdriver

*Borrhammare/borrmaskin/skruvdragare
Slagboremaskin/boremaskin/skrutrekker
Poravasara/porakone/ruuvinväännin*



Important!

Read the entire instruction manual carefully and make sure that you fully understand it before you use the equipment. Keep the manual for future reference.

Viktig information:

Läs hela bruksanvisningen noggrant och försäkra dig om att du har förstått den innan du använder utrustningen. Spara bruksanvisningen för framtida bruk.

Viktig informasjon:

Les disse anvisningene nøye og forsikre deg om at du forstår dem, før du tar produktet i bruk. Ta vare på anvisningene for seinere bruk.

Tärkeää tietoa:

Lue nämä ohjeet huolellisesti ja varmista että olet ymmärtänyt ne, ennen kuin alat käyttää laitetta. Säilytä ohjeet myöhempiä tarvetta varten.

ART.NO MODEL
18-3199 KPLCT0301-UK
40-7994 KPLCT0301

Ver. 201110
Original instructions
Bruksanvisning i original
Original bruksanvisning
Alkuperäinen käyttöohje

ENGLISH

SVENSKA

NORSK

SUOMI

Rotary hammer/power drill/power screwdriver, 14.4 V

ART. NO 18-3199
40-7994

MODEL KPLCT0301-UK
KPLCT0301

Please read the entire instruction manual before using the product and save it for future reference. We reserve the right for any errors in text or images and any necessary changes made to technical data. If you have any questions concerning technical problems please contact our Customer Services.

1. Safety

1. General safety instructions for rechargeable handheld power tools

Warning! Read all the instructions. Failure to adhere to the following instructions may lead to electric shocks, fires and/or serious injury. The term “handheld power tools” in the warning text below is referring to your mains operated or battery operated hand tool. SAVE THE INSTRUCTIONS.

1) *The work area*

- a. Keep the work area clean and well illuminated. Cluttered and poorly lit areas invite accidents.
- b. Do not use handheld power tools in explosive environments, i.e. nearby flammable liquids, gas or dust. Handheld power tools generate sparks that could easily ignite dust or fumes.
- c. Keep away from children and other spectators while using the handheld power tool. Distractions can make you lose your concentration and control.

2. *Electrical safety*

- a. The handheld power tool's plug must fit correctly in the wall socket. Never modify the plug in any way. Never use an adaptor together with earthed handheld power tools. Unmodified plugs and suitable wall sockets decrease the risk of electric shock.
- b. Avoid body contact with earthed objects, such as pipes, radiators, ovens or refrigerators. There is an increased risk of electrical shock if your body is earthed.
- c. Do not expose the handheld power tool to rain or other wet conditions. If water gets inside a handheld power tool it increases the risk of electrical shock.
- d. Do not misuse the lead. Never use the lead to carry, drag or pull the plug out of the wall socket. Keep the lead away from heat, oil, sharp edges and movable parts. Damaged or tangled leads increase the risk of electrical shock.

- e. When you use a handheld power tool outdoors; use an extension cord suitable for this purpose. Use of an extension cord for outdoor use decreases the risk of electrical shock.

3) Personal safety

- a. Pay attention to what you do and use common sense when using handheld power tools. Never use a handheld power tool if you are tired or under the influence of drugs, alcohol or medication. One moment of inattention while using a handheld power tool may result in serious injury.
- b. Use protective equipment. Always use safety glasses. Using protective equipment such as a face mask, slip resistant protective shoes, a helmet and ear defenders when needed decreases the risk of injury.
- c. Avoid unexpected starts. Make sure that the switch is set to OFF before you connect the device to the wall socket. Never carry a handheld power tool with one finger on the trigger or never connect the hand tool to a wall socket when the switch is set to ON, since it may result in injury.
- d. Remove all service tools/keys before switching on the hand tool. A forgotten service tool on a rotating part of the handheld power tool may result in injury.
- e. Do not overreach. Make sure you stand steady and well balanced at all times. This provides better control in unexpected situations.
- f. Wear suitable clothing. Do not wear loose fitting clothes or jewellery. Keep hair, clothes and gloves away from moving parts. Loose fitting clothes, jewellery or long hair could get caught in moving parts.
- g. If the equipment for suctioning or collecting dust is available make sure it is connected and used properly. Using technical aids can reduce dust related hazards.

4) Use and maintenance of the handheld power tool

- a. Do not overdrive the hand tool. Use a hand tool suitable for the work you are to perform. At the correct rate of feed, the correct tool will carry out the work better and more safely.
- b. Never use the handheld power tool if the switch does not work properly to turn on and shut off the tool. All handheld power tools that can not be operated by the switch are dangerous and must be repaired.
- c. Unplug the lead from the wall socket before making any adjustments, changes of accessories or storing the handheld power tool away. These precautions reduce the risk of unexpected start of the handheld power tool.
- d. Store handheld power tools that are not being used out of reach from children. Do not let people use the handheld power tool if they are unfamiliar with it or have not read the instructions. Handheld power tools can be dangerous if they get into the hands of inexperienced users.

- e. Inspect handheld power tools regularly. Check that all settings are correct, that no moving parts are getting jammed, that no parts are broken and for anything else that might cause the handheld power tool to malfunction. If something is damaged it must be repaired before use. Many accidents are caused by poorly maintained handheld power tools.
- f. Keep the tools sharp and clean. Properly maintained cutting tools with sharp blades are less likely to jam and are easier to control.
- g. Use the handheld power tool, accessories and such according to the instructions and in a way suitable for the type of handheld power tool used. Using the handheld power tool for work other than that for which it is intended could result in a dangerous situation.

5) Use and maintenance of the rechargeable handheld power tool

- a) Make sure that the power switch is set to OFF before the battery is inserted. Inserting a battery into a handheld power tool with the power switch set to ON is inviting an accident.
- b) Only charge the battery using a charger approved by the manufacturer. A charger suitable for one type of battery can constitute a fire hazard if used for another type of battery.
- c) Only use the rechargeable power tool with the correct batteries. The use of another type of battery can create the risk of damage or fire.
- d) When not in use, the battery should be stored away from other metal objects such as paper clips, coins, keys, nails, screws or any small object that could bridge the gap between the battery terminals. A short circuit of the battery terminals can cause burns or fires.
- e) If the battery is abused it can leak acid; avoid contact with this acid. If you accidentally come into contact with the acid, rinse with water. If the acid comes into contact with your eyes, consult a doctor. Battery acid can cause irritation and burns.

6) Service

- a. Repairs and service should only be performed by qualified persons, and only with original spare parts. This guarantees the safety of the handheld power tool.

2. Safety instructions for batteries and chargers

- Never attempt to open a battery.
- Never store batteries in direct sunlight or at temperatures exceeding 40 °C.
- Only charge the battery in temperatures between 4 and 40 °C.
- Never expose the battery or charger to water.
- Never short-circuit the battery. Risk for explosion!
- Only use the charger supplied.
- Check that the charger, cable and battery are not damaged in any way before charging is commenced.
- Do not use the product if any component is damaged.

3. Product labelling with safety symbols



Read the entire user instructions.



Always use ear protectors.



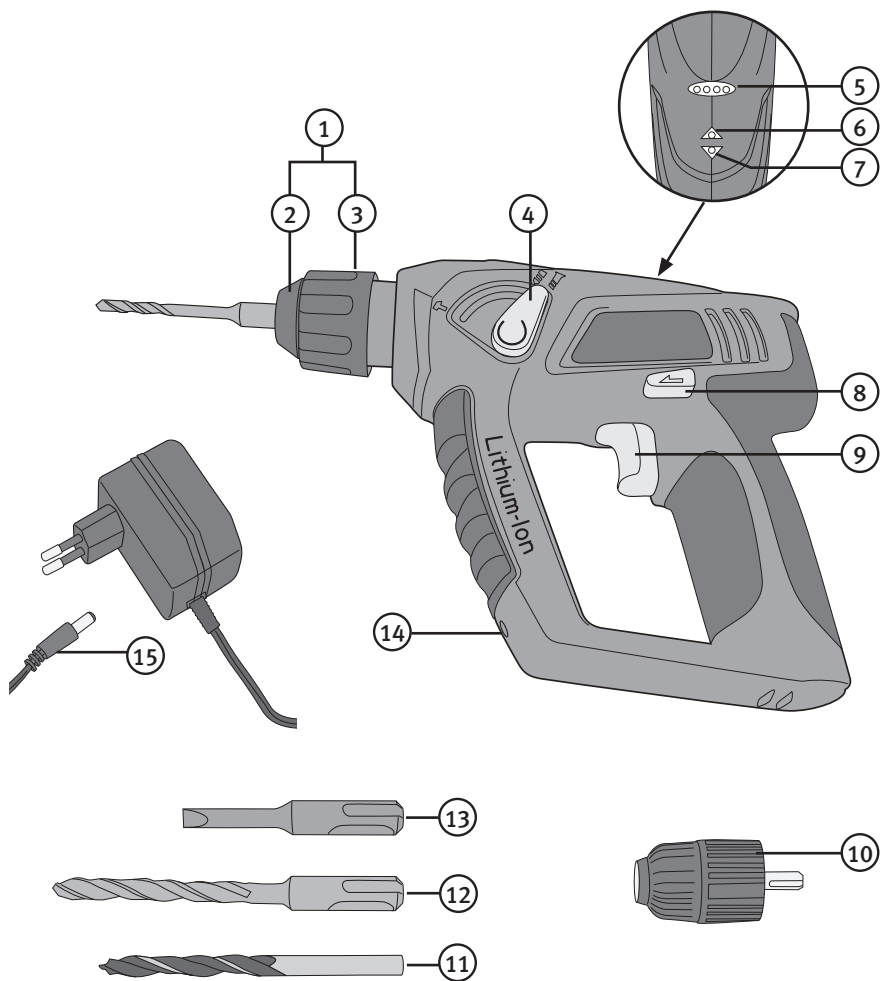
Always use safety glasses.



For indoor use only.

2. Product description

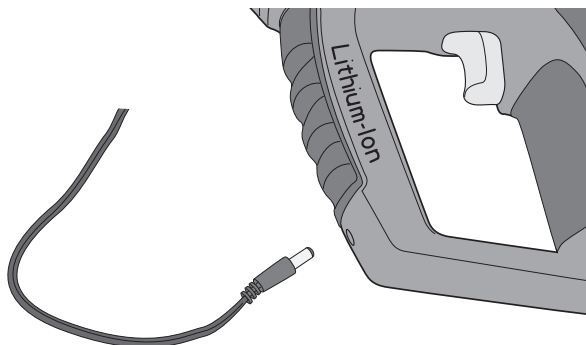
- Rotary hammer, power drill and power screwdriver functions combined in a single tool.
- Rotary hammer function with pneumatic hammer mechanism.
- SDS-Plus shank and 10 mm chuck with SDS adapter.
- Hammer force of 1.0 joules, 0-4800 blows per minute. Continuously variable speed of 0-900 RPM.
- Clockwise/anticlockwise rotation.
- Drill bit capacity: wood Ø 10 mm, steel Ø 8 mm and concrete Ø 10 mm.
- 14.4 V/1.3 A lithium ion (Li-ion) battery.
- Supplied with chargers (three), SDS-Plus drill bits, 6 drill bits, 20 long drill bits, 4 drill bits with SDS-Plus shank and case.
- Weight: 1.3 kg.



- | | |
|---|---|
| <ul style="list-style-type: none"> 1. SDS shank 2. Dust shield 3. Tool lock 4. Selector switch for switching between rotary hammering and ordinary drilling 5. Battery indicator 6. Indicator for clockwise rotation 7. Indicator for anticlockwise rotation | <ul style="list-style-type: none"> 8. Changeover switch for clockwise/ anticlockwise rotation 9. Power switch (continuously variable) 10. Keyless chuck with SDS-Plus shank 11. Drill bit 12. Drill with SDS shank 13. Screwdriver with SDS shank 14. Charging socket 15. DC plug |
|---|---|

3. Charging

- The battery is supplied only partially charged and must therefore be charged for between 5 and 7 hours prior to first use. The battery need not be fully discharged before recharging. The battery will not be damaged by being charged regardless of its charge level, and charging can be switched off at any time.
- Automatic shutoff. The battery is protected against excessive discharge; when the battery voltage falls, the rotary hammer will be automatically switched off via a safety circuit.*
- Temperature protection. The battery has been fitted with a temperature sensor, which only allows charging when the battery temperature is between 0 and 45 °C.
- If only one of the LEDs on the battery indicator (5) illuminates for around five seconds when the power switch (9) is pressed in halfway (or fully), the battery has less than 30 % of its charge remaining and must be recharged.
- If the rotary hammer is not going to be used for a long period of time, the battery must be fully charged before being put away for storage.



1. Connect the charger to an electrical power socket and then connect the DC plug (15) to the charging socket (14).
2. The battery indicator will indicate the progress of the charging. When all four LEDs are illuminated, the charging is complete. The charging time will be around 5–7 hours for normal usage. It is normal for the handle of the rotary hammer to become warm during charging.
3. Remove the charger from the electrical power socket and then remove the DC plug. Protect the charger against water and humidity.

Important! The rotary hammer cannot be used when the DC plug is connected.

***WARNING!** Release the power switch (9) immediately if the rotary hammer switches off automatically. Failure to do this may result in damage to the battery.

4. Use

Use respiratory protection when working with dust-generating materials.

A. Switching tools

The SDS-Plus tool shank allows the fast and simple changing of tools.

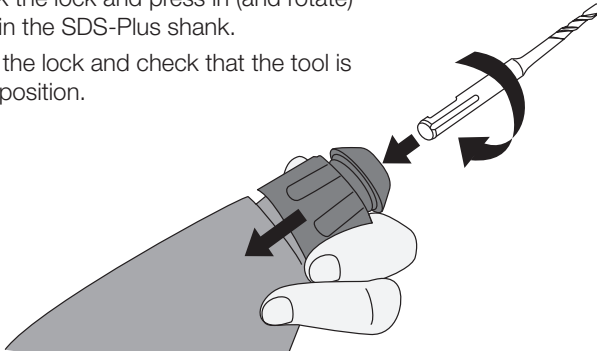
The operation of the SDS-Plus shank (1) means that the fitted tool can be freely rotated. This causes the tool to be out of true when unloaded. This does not affect the accuracy of the hole drilled as the drill bit is centred automatically during drilling.

Tools with a cylindrical shank can be used with the keyless chuck supplied (10).

The dust shield (2) protects the SDS-Plus mechanism. Make sure that the dust shield is not damaged when you are changing tools.

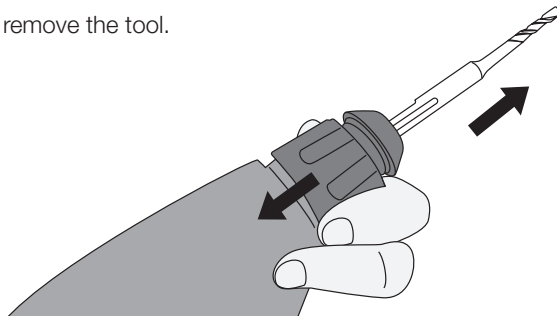
Insert a tool with an SDS-Plus shank as follows:

1. Clean the shank of the tool and lubricate it with a little thin oil.
2. Pull back the lock and press in (and rotate) the tool in the SDS-Plus shank.
3. Release the lock and check that the tool is firmly in position.



Remove a tool with an SDS-Plus shank as follows:

1. Pull back the lock and remove the tool.



B. Function settings

Select the required application using the selector switch (4).



1. Rotate the switch away from you in order to use the hand tool as a rotary hammer when drilling concrete or stone.
2. Rotate the selector switch towards you in order to use the hand tool as a power drill or power screwdriver.

C. Clockwise/anticlockwise rotation

- Clockwise/anticlockwise rotation can be selected using the changeover switch (8). The power switch will be locked if the changeover switch is set to the mid-position. The chuck must be completely stationary when you are changing the rotation direction.
- The rotation direction is indicated by indicator lights 6 or 7.

Clockwise (drilling and screwdriver functions):

Press in the selector switch (8) on the right-hand side as far as it will go and check that indicator (6) illuminates when you press in the power switch.

Anticlockwise (removing screws):

Press in the selector switch (8) on the left-hand side as far as it will go and check that the indicator (7) illuminates when you press in the power switch.

D. Starting, stopping and adjusting the RPM

- The tool can be started and stopped by pressing in and releasing the power switch (9).
- The machine is equipped with continuously variable RPM adjustment, which is a particularly useful feature when using the tool as a power screwdriver. The further in that the trigger is pressed, the higher the RPM will be.

E. Advice and tips for drilling

- When drilling smooth materials such as clinker concrete, you should apply a piece of heavy duty tape across the area where you intend to drill so that the drill bit does not slide when you are drilling.
- When drilling metal, you should first use a centre punch and make a small hole where you intend to drill. This small hole will then hold the drill bit in the correct position so that it does not slide when you are drilling.
- When drilling metal, you should also use thread/cutting oil in order to protect the tool.

E. Checking the battery charge level

The battery indicator (5) indicates the charge level when the power switch is pressed in.

All four LEDs are illuminated:	>90%
Three LEDs are illuminated:	>70 %
Two LEDs are illuminated:	>30%
One LED is illuminated:	<30%

Important!
**The battery must be recharged
 when only one LED is illuminated.**

G. Temperature protection

If the battery is subject to excessive load or becomes warmer than 70 °C, the motor will switch off until the battery temperature falls. If you press in the power switch when the motor has switched off, the battery indicator light will flash until you release the power switch.

5. Care and maintenance

- Ensure that the ventilation openings for the motor are always free from filings and waste.
- Clean the machine regularly using detergent and a damp cloth. Avoid strong detergents.
- The battery should be fully charged when the machine is to be stored for a long period of time.

6. Waste disposal

The product should be disposed of in accordance with local regulations. Contact your local municipal authority if you are unsure how to go about this.

7. Specifications

Model	KPLCT0301, KPLCT0301-UK
Operating voltage	14.4 V
RPM, continuously variable (unloaded):	0–900 RPM
Hammer	0–4800 blows per minute
Keyless chuck	Ø 10 mm
Drill bit capacity	Steel Ø 8 mm, wood Ø 10 mm, concrete Ø 10 mm
Noise level	LpA: 80.5 dB(A) (Inaccuracy KpA: 3 dB) LwA: 91,5 dB(A) (Inaccuracy KwA: 3 dB)
Vibration value	5.915 m/s ² (Inaccuracy K: 1.5 m/s ²)
Weight	1.3 kg
Accumulator	Lithium ion (Li-ion)
Voltage	14.4 V
Capacity	1.3 Ah
Chargers	
Primary	230 V AC, 50 Hz, 17 W
Secondary	18 V DC, 400 mA (+ in centre)
Charging time	5–7 hours

Borrhammare/bormaskin/ skruvdragare 14,4 V

ART. NR 18-3199
40-7994

MODELL KPLCT0301-UK
KPLCT0301

Läs igenom hela bruksanvisningen före användning och spara den sedan för framtida bruk. Vi reserverar oss för ev. text- och bildfel samt ändringar av tekniska data. Vid tekniska problem eller andra frågor, kontakta vår kundtjänst (se adressuppgifter på baksidan).

1. Säkerhet

1. Generella säkerhetsinstruktioner för laddningsbara handverktyg

Varning! Läs alla instruktioner. Om nedanstående instruktioner inte följs kan detta leda till elektrisk stöt, brand och/eller allvarlig skada. Termen "elektriskt handverktyg" i varningstexten nedan refererar till ditt nätanslutna eller batteridrivna handverktyg. SPARA DESSA INSTRUKTIONER.

1) Arbetsutrymmet

- Håll arbetsutrymmet rent och väl upplyst. Belamrade och mörka utrymmen inbjuder till olyckor.
- Använd inte elektriska handverktyg i explosiva miljöer, som i närheten av lättantändliga vätskor, gaser eller damm. Elektriska handverktyg genererar gnistor som kan antända damm eller ångor.
- Håll undan barn och åskådare medan du använder det elektriska handverktyget. Störningsmoment kan göra att du tappar kontrollen.

2) Elektrisk säkerhet

- Det elektriska handverktygets stickpropp måste passa i vägguttaget. Modifiera aldrig stickproppen på något vis. Använd aldrig adapter tillsammans med jordade elektriska handverktyg. Omodifierade stickproppar och passande vägguttag minskar risken för elektrisk stöt.
- Undvik kroppskontakt med jordade föremål, som rör, element, köksspis eller kylskåp. Det innebär ökad risk för elektrisk stöt om din kropp är jordad.
- Utsätt inte det elektriska handverktyget för regn eller våta förhållanden. Om vatten tränger in i ett elektriskt handverktyg ökar det risken för elektrisk stöt.
- Misshandla inte nätsladden. Använd aldrig nätsladden för att bära, dra eller rycka stickproppen ur vägguttaget. Håll nätsladden undan från värme, olja, vassa kanter och rörliga delar. Skadade eller trassliga nätsladdar ökar risken för elektrisk stöt.

- e. När du använder ett elektriskt handverktyg utomhus, använd en skarvsladd anpassad för detta ändamål. Användning av en skarvsladd för utomhusbruk minskar risken för elektrisk stöt.
- f. Om du måste använda ett elektriskt handverktyg på en fuktig plats, anslut verktyget till elnätet via en jordfelsbrytare. Användning av jordfelsbrytare minskar risken för elektrisk stöt.

3) Personlig säkerhet

- a. Var uppmärksam på vad du gör och använd sunt förnuft när du använder ett elektriskt handverktyg. Använd inte ett elektriskt handverktyg om du är trött eller påverkad av droger, alkohol eller medicinering. Ett ögonblicks ouppmärksamhet när du använder ett elektriskt handverktyg kan resultera i allvarlig personskada.
- b. Använd skyddsutrustning. Bär alltid skyddsglasögon. Användning av skyddsutrustning som andningsskydd, halksäkra skyddsskor, hjälm och hörselskydd vid behov minskar risken för personskada.
- c. Undvik oavsiktlig start. Se till att strömbrytaren är i läge "OFF" innan du ansluter stickproppen till vägguttaget. Att bära ett elektriskt handverktyg med ett finger på strömbrytaren/avtryckaren eller att ansluta ett elektriskt handverktyg till elnätet när strömbrytaren är i läge "ON" inbjuder till olyckor.
- d. Tag bort alla serviceverktyg/nycklar innan du slår på det elektriska handverktyget. Ett kvarglömt serviceverktyg på en roterande del av det elektriska handverktyget kan resultera i personskada.
- e. Sträck dig inte för långt. Se till att du står stadigt med god balans hela tiden. Detta möjliggör bättre kontroll i oväntade situationer.
- f. Bär lämplig klädsel. Bär inte löst sittande kläder eller smycken. Håll hår, kläder och handskar undan från rörliga delar.
- g. Om utrustning för utsugning och uppsamling av damm finns tillgängligt, se till att denna är ansluten och används ordentligt. Användning av dessa hjälpmedel kan minska dammrelaterade faror.

4) Användning och underhåll av det elektriska handverktyget

- a. Pressa inte det elektriska handverktyget. Använd ett elektriskt handverktyg som är avsett för det arbetsmoment du utför. Korrekt elektriskt handverktyg gör jobbet bättre och säkrare med avsedd matningshastighet.
- b. Använd inte det elektriska handverktyget om strömbrytaren inte slår på och stänger av verktyget. Alla elektriska handverktyg som inte kan kontrolleras med strömbrytaren är farliga och måste repareras.
- c. Dra stickproppen ur vägguttaget innan du utför några justeringar, byter tillbehör eller lägger undan det elektriska handverktyget för förvaring. Dessa åtgärder i förebyggande syfte minskar risken för att starta det elektriska handverktyget oavsiktligt.

- d. Förvara elektriska handverktyg som inte används utom räckhåll för barn och låt inte personer som inte är förtrogna med det elektriska handverktyget eller dessa instruktioner använda det. Elektriska handverktyg är farliga om de kommer i händerna på ovana användare.
- e. Underhåll elektriska handverktyg. Kontrollera om något är felinställt, om rörliga delar kärvar, om delar har gått sönder eller något annat som kan påverka funktionen av det elektriska handverktyget. Om något är skadat måste det repareras före användning. Många olyckor beror på dåligt underhållna elektriska handverktyg.
- f. Håll verktygen vassa och rena. Ordentligt underhållna skärverktyg med vassa eggar är mindre benägna att kärva och lättare att kontrollera.
- g. Använd det elektriska handverktyget, tillbehör och liknande enligt instruktionerna och på det sätt som är ämnat för just den typen av elektriskt handverktyg, och ta även hänsyn till arbetsförhållandena och den typ av arbete som ska utföras. Användning av det elektriska handverktyget för arbeten andra än vad det är ämnat för kan resultera i en farlig situation.

5) Användning och service av det laddningsbara handverktyget

- a. Se till att strömbrytaren är i avstängt läge innan du monterar batteriet. Att montera batteriet på ett elektriskt handverktyg som har strömbrytaren i påslaget läge inbjuder till olyckor.
- b. Ladda batteriet endast med en laddare som är utvald av tillverkaren. En laddare som passar till en typ av batteri kan orsaka brandrisk om den används till en annan typ av batteri.
- c. Använd laddningsbara handverktyg endast tillsammans med därför ämnade batterier. Användning av annat batteri kan orsaka skade- och brandrisk.
- d. När batteriet inte används, förvara det på avstånd från andra metallföremål som gem, mynt, nycklar, spikar, skruvar eller andra små metallföremål som kan skapa kontakt från en batteripol till den andra. Kortslutning av batteripolerna kan orsaka brännskador eller brand.
- e. Om batteriet misshandlas kan syra läcka från batteriet; undvik kontakt. Om du av misstag kommer i kontakt med syran, spola med vatten. Om syran kommer i kontakt med ögonen, uppsök dessutom läkare. Syra som kommer från batteriet kan orsaka irritation och brännskador.

6) Service

- a. Låt behörig personal utföra service och reparationer, och endast med originalreservdelar. Detta garanterar att säkerheten på det elektriska handverktyget behålls.

2. Säkerhetsinstruktioner för batterier och laddare

- Försök aldrig att öppna ett batteri.
- Förvara aldrig batteriet i direkt solljus eller vid temperaturer över 40 °C.
- Ladda batteriet endast i temperaturer mellan 4–40 °C.
- Utsätt aldrig batteriet eller laddaren för vatten.
- Kortslut aldrig batteriet. Explosionsfara.
- Använd endast den bifogade laddaren.
- Kontrollera att laddare, kabel och batteri är oskadade innan laddningen påbörjas.
- Använd inte produkten om någon del är skadad.

3. Produktmärkning med säkerhetssymboler



Läs hela bruksanvisningen.



Använd alltid hörselskydd.



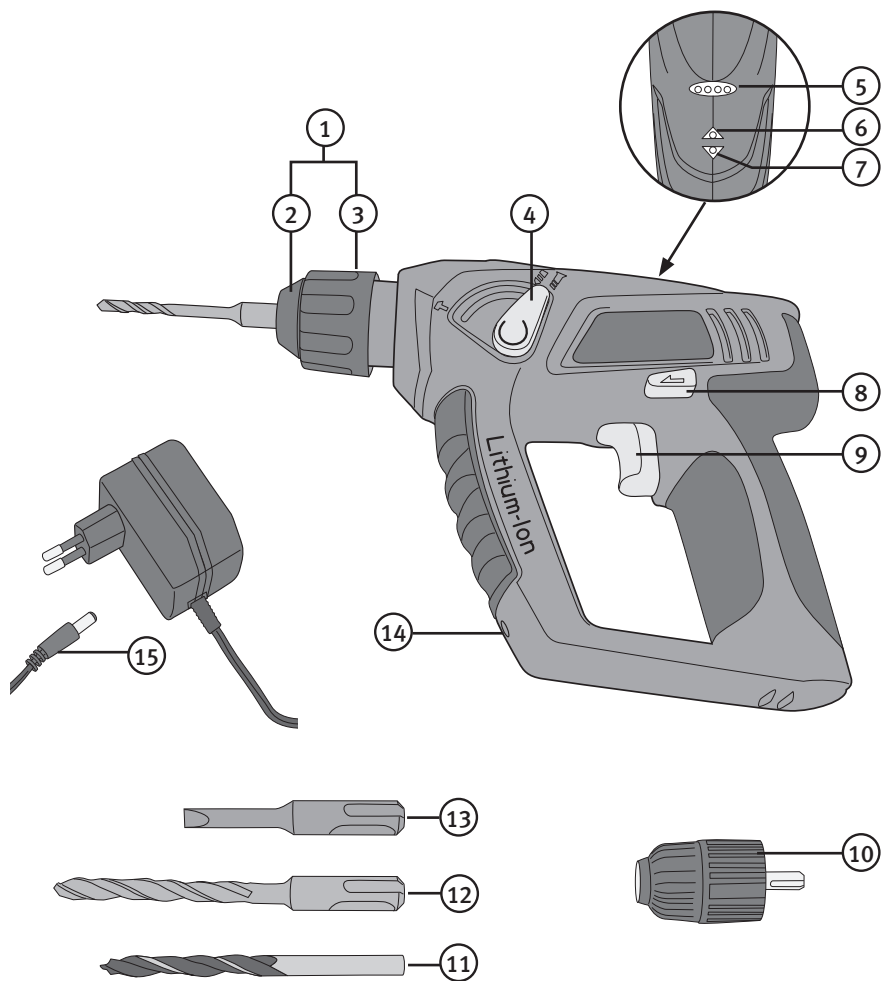
Använd alltid skyddsglasögon.



Endast för inomhusbruk.

2. Produktbeskrivning

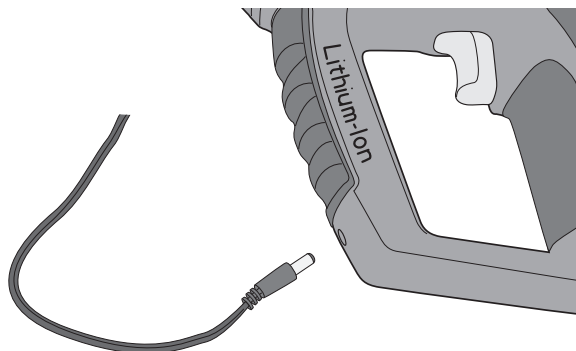
- Borrhammare, borrar och skruvdragare i en maskin.
- Slagborrfunktion med pneumatisk slagmekanism.
- SDS-plus fäste och 10 mm chuck med SDS-adapter.
- Slagkraft 1,0 joule, 0–4800 slag/min. Steglös hastighet 0–900 v/min.
- Höger-/vänstergång.
- Borrkapacitet: trä Ø 10 mm, stål Ø 8 mm och betong Ø 10 mm.
- 14,4 V/1,3 Ah litiumjonbatteri (li-ion).
- Levereras med laddare, 3 st. SDS-plus borrar, 6 st. borrar, 20 st. långa bits, 4 st. bits med SDS-plus fäste samt väska.
- Vikt 1,3 kg.



- | | |
|--|--|
| 1. SDS-fäste | 8. Omkopplare för höger-/vänstergång |
| 2. Dammtätning | 9. Strömbrytare (steglös) |
| 3. Verktyssspärr | 10. Nyckellös chuck med SDS-plus fäste |
| 4. Reglage för omställning mellan hamrande borrar och borrar | 11. Borr |
| 5. Batteriindikator. | 12. Hammarbör med SDS-fäste |
| 6. Indikator för högergång | 13. Skruvmejsel med SDS-fäste |
| 7. Indikator för vänstergång | 14. Laddningsuttag |
| | 15. DC-propp |

3. Laddning

- Batteriet är bara delvis uppladdat vid leverans, därför måste det laddas upp 5–7 timmar innan första användning. Batteriet behöver inte laddas ur innan laddning. Batteriet tar inte skada av att laddas oavsett dess laddningsgrad och laddningen går att avbryta när som helst.
- Automatisk avstängning. Batteriet är skyddat mot djupurladdning, när batterispänningen sjunker stängs borsthammaren av automatiskt via en skyddskrets.*
- Temperaturskydd. Batteriet är försett med en temperatursensor som endast tillåter laddning om batteriets temperatur är mellan 0 °C och 45 °C.
- Om endast en av lysdioderna i batteriindikatorn (5) lyser till i ca 5 sekunder när strömbrytaren (9) trycks in halvvägs (eller helt) återstår mindre än 30 % av batteriets laddning och det måste laddas upp.
- Om borsthammaren inte ska användas under en längre tid måste batteriet laddas upp fullt innan den ställs undan till förvaring.



1. Anslut laddaren till ett vägguttag och anslut DC-proppen (15) till laddningsuttaget (14).
2. Batteriindikatorn visar laddningens förlopp, när alla 4 lysdioderna lyser är laddningen klar. Laddtiden är ca 5–7 timmar vid normal användning. Under laddningen blir borsthammarens handtag varmt, det är helt normalt.
3. Ta bort laddaren från eluttaget och dra ur DC-proppen. Skydda laddaren mot vatten och fukt.

Obs! Borsthammaren kan inte användas när DC-proppen är ansluten.

***WARNING!** Släpp strömbrytaren (9) direkt om borsthammaren har stängts av automatiskt. Annars kan batteriet ta skada.

4. Användning

Använd andningskydd vid arbete med dammande material.

A. Byte av verktyg

SDS-plus verktygsfäste möjliggör snabbt och enkelt byte av verktyg.

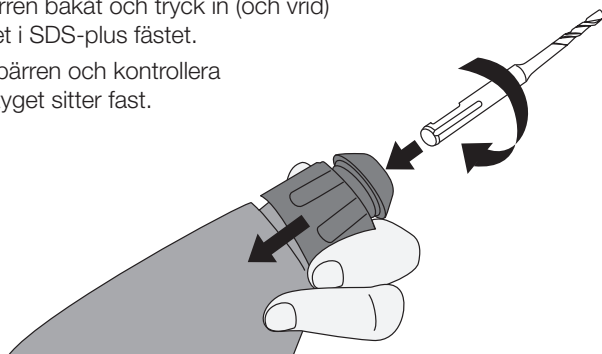
Funktionen hos SDS-plus verktygsfästet (1) gör att det monterade verktyget kan röras fritt, det gör att verktyget kastar när det inte belastas. Det påverkar inte borrhålets noggrannhet eftersom borren centreras automatiskt vid borrhning.

Verktyg med cylindriskt fäste kan användas i den bifogade nyckellösa chucken (10).

Dammtätningen (2) skyddar SDS-plus mekanismen, var försiktig så att inte dammtätningen skadas när du byter verktyg.

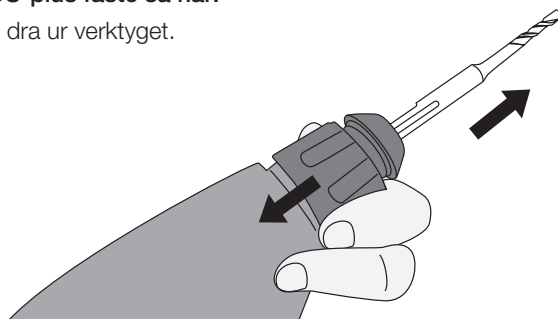
Sätt i ett verktyg med SDS-plus fäste så här:

1. Gör ren verktygets fäste och smörj det med lite tunn olja.
2. Dra spärren bakåt och tryck in (och vrid) verktyget i SDS-plus fästet.
3. Släpp spärren och kontrollera att verktyget sitter fast.



Ta ur ett verktyg med SDS-plus fäste så här:

1. Dra spärren bakåt och dra ur verktyget.



B. Funktionsinställning

Ställ in användningsområde med reglaget (4).



1. Vrid reglaget framåt för att använda handverktyget som borrhammare i betong eller sten.



2. Vrid reglaget bakåt för att använda handverktyget som bormaskin eller skruvdragare.

C. Höger-/vänstergång

- Välj höger- eller vänstergång med omkopplaren (8). Om omkopplaren ställs i mittenläge är strömbrytaren låst. Chucken måste vara helt stilla när du skiftar rotationsriktning.
- Vald rotationsriktning visas på indikatorlamporna 6 eller 7.

Högergång (borrning och skruvdragning):

Tryck in reglaget (8) på högersidan helt. Kontrollera att indikatorn (6) lyser när du trycker in strömbrytaren.

Vänstergång (skruva ur skruvar):

Tryck in reglaget (8) på vänstersidan helt, kontrollera att indikatorn (7) lyser när du trycker in strömbrytaren.

D. Start, stopp och varvtalsreglering

- Starta och stanna maskinen genom att trycka in och släppa strömbrytaren (9).
- Maskinen är utrustad med steglös varvtalsreglering, vilket är utmärkt speciellt vid skruvdragning. Ju mer du trycker in avtryckaren, desto högre blir varvtalet.

E. Råd och tips om borrning

- Vid borrning i glatta material, t.ex. klinker, bör du sätta en kraftig tejpbort där du ska borra så att borsten inte glider åt sidan när du ska borra.
- Vid borrning i metall bör du först använda en körnare och göra en liten grop där du ska borra. Denna lilla grop fixerar sedan borsten på rätt ställe så att den inte glider åt sidan när du ska borra.
- Vid borrning i metall bör du även använda gång-/skärolja för att spara på verktygen.

F. Kontrollera batteriets laddningsgrad

Batteriindikatorn (5) visar batteriets laddningsgrad när strömbrytaren trycks in:

Alla fyra LED-lamporna lyser	> 90 %
Tre LED-lampor lyser	> 70 %
Två LED-lampor lyser	> 30 %
En LED-lampa lyser	< 30 %

Obs!
När endast en LED-lampa lyser
måste batteriet laddas upp.

G. Temperaturskydd

Om batteriet utsätts för mycket hård belastning eller om det blir varmare än 70 °C stängs motorn av tills temperaturen har sjunkit i batteriet. Om du håller in strömbrytaren när motorn stängs av blinkar batteriindikatorn tills du släpper strömbrytaren.

5. Skötsel och underhåll

- Håll alltid motorns ventilationsöppningar fria från spån och skräp.
- Rengör maskinen regelbundet med diskmedel och en fuktig trasa. Undvik starka rengöringsmedel.
- Vid längre förvaring ska batteriet vara fullt uppladdat.

6. Avfallshantering

När du ska göra dig av med produkten ska detta ske enligt lokala föreskrifter. Är du osäker på hur du ska gå tillväga, kontakta din kommun.

7. Specifikationer

Modell	KPLCT0301, KPLCT0301-UK
Drivspänning	14,4 V
Varvtal, steglöst	0–900 rpm (obelastad)
Slag	0–4800 slag/min
Nyckellös chuck	Ø 10 mm
Borrkapacitet	Stål Ø 8 mm, trä Ø 10 mm, betong Ø 10 mm
Ljud	LpA: 80,5 dB(A) (Onoggrannhet KpA: 3 dB) LwA: 91,5 dB(A) (Onoggrannhet KwA: 3 dB)
Vibrationsvärde	5,915 m/s ² (Onoggrannhet K: 1,5 m/s ²)
Vikt	1,3 kg
Akkumulator	Litiumjon (Li-Ion)
Spänning	14,4 V
Kapacitet	1,3 Ah

Laddare

Primär	230 V AC, 50 Hz, 17 W
Sekundär	18 V DC, 400 mA (+ i centrum)
Laddtid	5–7 timmar

Borhammer/Bormaskin/ Skrutrekker 14,4 V

ART.NR. 18-3199
40-7994

MODELL KPLCT0301-UK
KPLCT0301

Les brukerveiledningen nøye før produktet tas i bruk, og ta vare på den for framtidig bruk. Vi reserverer oss mot ev. tekst- og bildefeil, samt forandringer av tekniske data. Ved tekniske problemer eller spørsmål, ta kontakt med vårt kundesenter. (Se opplysninger om kundesenteret i denne bruksanvisningen).

1. Sikkerhet

1. Generelle sikkerhetsinstruksjoner for ladbare håndverktøy

Advarsel! Les gjennom hele brukerveiledningen. Hvis ikke veiledningene følges, kan dette føre til elektrisk støt, brann og/eller andre alvorlige skader. Med "elektrisk håndverktøy" i den følgende teksten menes verktøy som enten er koblet til strømmettet eller batteridrevne håndverktøy. TA VARE PÅ DENNE VEILEDNINGEN.

1) *Arbeidsplassen*

- a. Hold arbeidsplassen ren, ryddig og godt opplyst. Rot og dårlig opplyst arbeidsplass kan forårsake ulykker.
- b. Ikke bruk elektriske håndverktøy i eksplosjonsfarlige omgivelser, som for eksempel nær lettantennelige væsker, gasser eller støv. Elektrisk håndverktøy kan danne gnister, som kan antenne støv eller trespon.
- c. Hold barn og andre tilskuere på god avstand ved bruk av elektriske håndverktøy. Forstyrrelser kan føre til at man mister kontrollen.

2) *Sikkerhet ved bruk av elektrisk strøm*

- a. Støpselet til det elektriske verktøyet må passe i strømmuttaket. Støpselet må ikke endres på. Bruk aldri adapter sammen med elektrisk håndverktøy som krever jording. Ved bruk av originale støpsler reduseres faren for elektrisk støt.
- b. Unngå kroppskontakt med jordede gjenstander, som rør, ovner, komfyrer, kjøleskap etc. Kroppskontakt med disse øker faren for elektrisk støt.
- c. Elektrisk håndverktøy bør ikke utsettes for regn eller fuktighet. Hvis det kommer vann inn i et elektrisk håndverktøy, øker faren for elektrisk støt.
- d. Påse at ikke strømledningen blir skadet. Bær aldri apparatet i strømledningen. Trekk heller ikke i strømledningen når støpselet skal tas ut av strømmuttaket. Hold ledningen unna varme, olje, skarpe kanter og bevegelige deler. Skadede eller deformerte ledninger kan øke faren for elektrisk støt.

- e. Ved bruk av elektrisk håndverktøy utendørs, skal man benytte en skjøteledning som er beregnet til dette formålet. Når skjøteledning som er beregnet for utendørs bruk benyttes, reduseres faren for elektrisk støt.
- f. Dersom det elektriske håndverktøyet skal brukes i fuktige omgivelser, må verktøyet kobles til stømmettet via en jordfeilbryter. Bruk av jordfeilbryter reduserer faren for elektrisk støt.

3) Personlig sikkerhet

- a. Vær våken og bruk sunn fornuft når du bruker et elektrisk verktøy. Ikke bruk elektriske håndverktøy når du er trett eller påvirket av rusmidler, alkohol eller sterke medisiner. Når du bruker elektrisk håndverktøy kan et lite øyeblikks uoppmerksomhet resultere i store personskader.
- b. Bruk verneutstyr. Benytt alltid vernebriller. Bruk av verneutstyr som støvmaske, sklisikre såler på skoene, hjelm og hørselsvern ved behov, reduserer faren for personskade.
- c. Unngå uønsket oppstart. Påse at strømbryteren står i posisjon "OFF" før strømmen kobles til. Det å bære et elektrisk håndverktøy med en finger på avtrekkeren/strømbryteren, eller å koble til strømmen mens strømbryteren står i posisjon "ON", kan forårsake ulykker.
- d. Fjern alle nøkler/serviceverktøy før det elektriske håndverktøyet startes. Et gjenglemt serviceverktøy på en roterende del, kan forårsake personskader.
- e. Strekk deg ikke for langt. Påse at du står stødig og har god balanse under hele arbeidsoperasjonen. Da er du bedre forberedt når uventede situasjoner oppstår.
- f. Bruk fornuftige arbeidsklær. Ikke bruk løstsittende klær og smykker. Hold klær, hansker og smykker unna bevegelige deler. Løstsittende klær, smykker eller langt hår, kan feste seg i bevegelige deler.
- g. Hvis det er mulig å koble til en støvsamler/støvsuger, bør dette gjøres. Ved bruk av slike hjelpemidler, kan en redusere faren for støvrelaterte skader og ulykker.

4) Bruk og vedlikehold av det elektriske håndverktøyet

- a. Ikke press et elektrisk håndverktøy. Bruk elektriske håndverktøy som er beregnet til den arbeidsoperasjonen du skal utføre. Riktig hastighet på matingen er viktig for å utføre bedre og sikrere arbeid.
- b. Ikke bruk det elektriske håndverktøyet dersom det er feil på strømbryteren og den ikke skrur verktøyet på/av med din kontroll. Alle elektriske håndverktøy, som ikke kan kontrolleres med en strømbryter, er farlige og må repareres.
- c. Trekk ut støpselet før justeringer utføres, ved skifte av tilbehør eller når verktøyet legges til oppbevaring. Dette for å unngå at elektrisk håndverktøy får en ukontrollert start.

- d. Oppbevar elektrisk håndverktøy utilgjengelig for barn. Påse også at elektrisk håndverktøy er utilgjengelig for personer som ikke har fått tilstrekkelig opplæring på eller er fortrolig med verktøyet. Elektrisk håndverktøy kan være farlige dersom de kommer i hendene på ukyndige.
- e. Hold det elektriske håndverktøyet ved like. Kontroller at verktøyet ikke er feilinnstilt, at bevegelige deler ikke beveger seg usymmetrisk, at ingen deler er skadet eller at det elektriske håndverktøyet har andre feil, som kan påvirke dets funksjon. Dersom noe er skadet må dette repareres før verktøyet tas i bruk. Mange ulykker skyldes dårlig eller manglende vedlikehold.
- f. Hold verktøyene skarpe og rene. Påse også at det elektriske verktøyet holdes skarpt. Godt vedlikeholdt skjæreverktøy, med skarpe egger, er lettere å kontrollere.
- g. Følg instruksjonen, ta hensyn til arbeidsforholdene og hva slags type arbeid som skal utføres. Bruk av elektrisk håndverktøy til andre arbeidsoperasjoner enn det som det er beregnet til, kan skape farlige situasjoner.

5) *Bruk og service av det ladbare håndverktøyet*

- a. Påse at strømbryteren er skrudd av før du monterer batteriet. Hvis batteriet monteres på et elektrisk håndverktøy med strømbryteren skrudd på, kan det føre til ulykker.
- b. Lad batteriene kun med lader som er bestemt av produsenten. En lader som er beregnet for en type batteri kan forårsake brann når den blir brukt til en annen type batterier.
- c. Ladbare håndverktøy må kun brukes sammen med dertil egnede batterier. Bruk av annet batteri kan forårsake skade og kan være en brannfare.
- d. Når batteriet ikke er i bruk, må det oppbevares på god avstand fra metallgjenstander som; mynter, nøkler, spiker, skruer o.l. som kan lede strøm fra den ene batteripolen til den andre. Kortslutting av batteripolene kan forårsake brann eller brannskader.
- e. Ved skjødesløs håndtering av batteriet kan syre lekke ut fra det. Pass da på ikke å komme i kontakt med syren. Hvis du ved et uhell skulle komme i kontakt med batterisyre må du straks skylle deg med vann. Dersom syren kommer i kontakt med øynene, må du oppsøke lege. Syre fra batteriet kan forårsake irritasjon og brannskader.

6) *Service*

- a. La profesjonelle fagfolk utføre service og reparasjoner. Benytt kun originale reservedeler. Dette for å opprettholde sikkerheten ved bruk av det elektriske håndverktøyet.

2. Sikkerhetsinstruksjoner for batterier og ladere

- Batteriet må ikke åpnes.
- Oppbevar aldri batterier i direkte sollys eller ved temperaturer over 40 °C.
- Ladetemperatur for batterier er mellom +4...+40 °C.
- Batterier og lader må ikke utsettes for vann.
- Batteriet må aldri kortsluttes. Eksplosjonsfare.
- Bruk kun den medfølgende laderen.
- Kontroller at lader, kabel og batteri er uskadet før ladingen startes.
- Produktet må ikke brukes dersom det er skadet.

3. Produktmerking med sikkerhetssymboler



Les hele bruksanvisningen.



Bruk alltid hørselsvern.



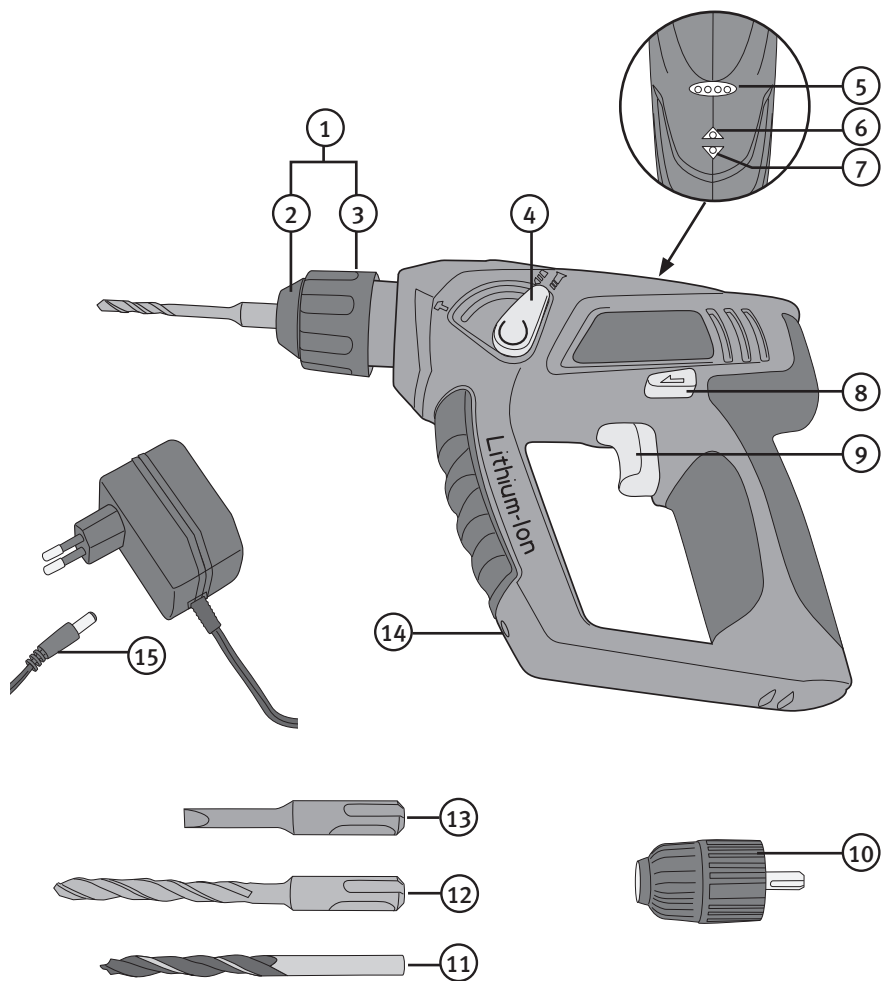
Benytt alltid vernebriller.



Kun til innendørs bruk.

2. Produktbeskrivelse

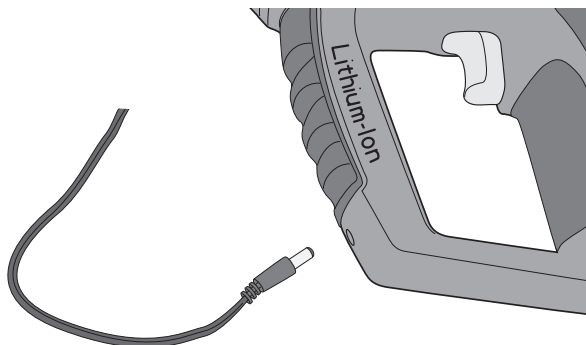
- Borhammer, boremaskin og skrutrekker i én og samme maskin.
- Slagborefunksjon med pneumatisk slagmekanisme.
- SDS-plus feste og 10 mm chuck med SDS-adapter.
- Slagkraft på 1,0 joule, 0–4800 slag/min. Trinnløs hastighet 0–900 o/min.
- Høyre- og venstregange.
- Borekapasitet: tre Ø 10 mm, stål Ø 8 mm og betong Ø 10 mm.
- 14,4 V/1,3 Ah li-ion-batteri.
- Leveres med lader, 3 stk. SDS-plus bor, 6 stk. bor, 20 stk. lange bits, 4 stk. bits med SDS-plus feste og veske.
- Vekt 1,3 kg.



- | | |
|--|---|
| 1. SDS-plus feste | 8. Omkobler for høyre-/venstregange |
| 2. Støvtetning | 9. Strømbryter (trinnløs) |
| 3. Verktøysperre | 10. Nøkkelløs chuck med SDS-plus feste |
| 4. Bryter for justering mellom vanlig boring og slagboring | 11. Bor |
| 5. Batteriindikator | 12. Bor med SDS-plus feste |
| 6. Indikator for høyregange | 13. Skruetrækkerbits med SDS-plus feste |
| 7. Indikator for venstregange | 14. Ladeuttak |
| | 15. DC-kontakt |

3. Lading

- Batteriet er kun delvis ladet ved levering og må derfor lades opp i 5–7 timer før maskinen tas i bruk for første gang. Det er ikke nødvendig å lade batteriet helt ut før ny lading. Batteriet tar ikke skade av å lades uansett hvor mye strøm det har og ladingen kan avbrytes når man måtte ønske det.
- Automatisk avstenging. Batteriet er beskyttet mot totalutlading. Når batterispenningen synker stenges slagboret automatisk via en beskyttelseskrete.*
- Temperaturvern. Batteriet er utstyrt med en temperatursensor som kun tillater lading hvis batteriets temperatur er mellom 0 og 45 °C.
- Hvis kun en av lysdiodeene på batteriindikatoren (5) lyser opp i ca. 5 sek. når strømbryteren (9) trykkes inn er det mindre enn 30 % kapasitet igjen i batteriet og det må lades.
- Hvis borehammeren ikke skal brukes på en stund, må batteriet lades opp til det er fulladet før det plasseres til oppbevaring.



1. Laderen kobles til et strømuttak og DC-pluggen (15) kobles til ladeuttaket (14).
2. Batteriindikatoren viser ladingens forløp. Når alle de 4 lysdiodeene lyser er ladingen fullført. Ladetiden er ca. 5–7 time ved normal bruk. Under ladingen blir borehammerens håndtak varmt. Dette er helt normalt.
3. Ta først laderen bort fra strømuttaket og deretter DC-kontakten. Beskytt laderen mot fuktighet og regn.

Obs! Borehammeren kan ikke brukes når DC-pluggen er koblet til.

***ADVARSEL!** Slipp strømbryteren (9) umiddelbart hvis borehammeren er blitt automatisk avstengt. Hvis ikke kan batteriet skades.

4. Bruk

Bruk maske ved arbeider med mye støv.

A. Skifte av verktøy

SDS-plus verktøyfeste gjør det mulig å skifte verktøy raskt og enkelt.

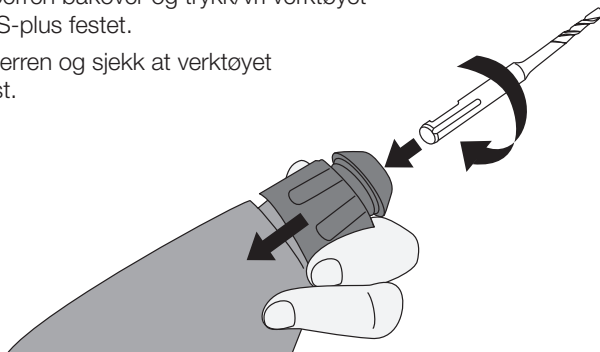
Funksjonen på SDS-plus verktøyfestet (1) gjør at det monterte verktøyet kan bevege seg fritt. Dette har ingen påvirkning på borehullets nøyaktighet fordi boret sentreres automatisk ved boring.

Verktøy med sylindrisk feste kan benyttes i den vedlagte nøkkelløse chucken (10).

Støvtettingen (2) beskytter SDS-plus mekanismen. Vær forsiktig så ikke støvtettingen tar skade når verktøy skiftes.

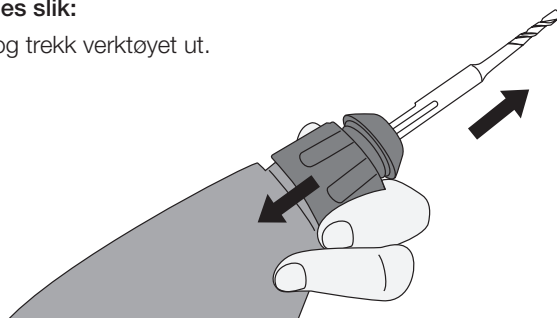
SDS-plus verktøyet festes slik:

1. Verktøyfestet rengjøres og smøres med litt tynn olje.
2. Trekk sperren bakover og trykk/vri verktøyet inn i SDS-plus festet.
3. Slipp sperren og sjekk at verktøyet sitter fast.



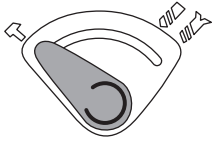
SDS-plus verktøyet fjernes slik:

1. Trekk sperren bakover og trekk verktøyet ut.

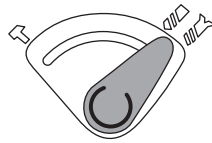


B. Funksjonsinnstilling

Still inn bruksområdet med bryteren (4).



1. Drei bryteren framover når håndverktøyet skal brukes som borehammer i betong og stein.



2. Drei bryteren bakover for å bruke håndverktøyet som boremaskin eller skrutrekker.

C. Høyre- og venstregange

- Velg høyre- eller venstregange med omkobleren (8). Når omkobleren stilles i midtre posisjon er strømbryteren låst. Chucken må stå helt stille når man endrer retning.
- Valgt rotasjonsretning vises på indikatorlampen 6 eller 7.

Høyregange (boring og skruing):

Trykk inn omkobleren (8) helt på høyresiden og kontroller at indikatoren (6) lyser når du trykker inn strømbryteren.

Venstregange (skru ut skruer):

Trykk inn omkobleren (8) helt på venstresiden og kontroller at indikatoren (7) lyser når du trykker inn strømbryteren.

D. Start, stopp og turtallsregulering

- Maskinen startes og stoppes ved å trykke inn og slippe strømbryteren (9).
- Maskinen er utstyrt med trinnløs turtallsregulering, noe som er utmerket, spesielt når man skal skru. Jo lengre inn avtrekkeren trykkes, desto høyere blir turtallet.

E. Råd og tips om boring

- Ved boring i materialer med glatt overflate, som for eksempel keramiske fliset etc. bør man feste en kraftig teipbit der man skal bore. Dette for at boret ikke skal gli bort fra punktet du ønsker å bore.
- Ved boring i metall bør du først bruke en kjørner og lage en grop der du skal bore. Denne gropen forhindrer at boret glir til siden når boringen starter.
- Ved boring i metall bør du også bruke gjenge-/skjærolje for å spare verktøyet.

E. Kontrollere ladingsgraden i batteriet

Batteriindikatoren (5) viser batteriets ladingsgrad når strømbryteren trykkes inn:

Alle fire LED-lampene lyser	> 90 %
Tre LED-lamper lyser	> 70 %
To LED-lamper lyser	> 30 %
En LED-lampe lyser	< 30 %

Obs!
Når kun en av LED-lampene lyser
må batteriet lades.

G. Temperaturvern

Hvis batteriet utsettes for store belastninger eller hvis det blir varmere enn 70 °C skrus motoren av til temperaturen har sunket i batteriet. Hvis du holder strømbryteren inne når motoren skrus av vil batteriindikatoren blinke til du slipper opp strømbryteren.

5. Stell og vedlikehold

- Hold alltid motorens ventilasjonsåpninger fri for spon og smuss.
- Rengjør maskinen regelmessig med oppvaskmiddel og fuktig klut. Unngå sterke rengjøringsmiddel.
- Ved lengre oppbevaring skal batteriet være fullt oppladet.

6. Avfallshåndtering

Når produktet skal kasseres, må det skje i henhold til lokale forskrifter. Ved usikkerhet, ta kontakt med lokale myndigheter.

7. Spesifikasjoner

Modell	KPLCT0301, KPLCT0301-UK
Spenning:	14,4 V
Turtall, trinnløst (ubelastet)	0–900 rpm
Slag	0–4800 slag/min
Nøkkelløs chuck	Ø 10 mm
Borekapasitet	Tre Ø 10 mm, stål Ø 8 mm og betong Ø 10 mm
Lyd	LpA: 80,5 dB(A) (Unøyaktighet KpA: 3 dB) LwA: 91,5 dB(A) (Unøyaktighet KwA: 3 dB)
Vibrasjonsverdi	5,915 m/s ² , (Unøyaktighet K: 1,5 m/s ²)
Vekt	1,3 kg
Akkumulator	Litiumjon (Li-Ion)
Spenning	14,4 V
Kapasitet	1,3 Ah
Lader	
Primært	230 V AC, 50 Hz, 17 W
Sekundært	18 V DC, 400 mA (+ i sentrum)
Ladetid	5–7 timer

Poravasara/porakone/ruuvinväännin

TUOTENUMERO 18-3199
40-7994

MALLI KPLCT0301-UK
KPLCT0301

Lue käyttöohje ennen tuotteen käyttöönottoa ja säilytä se tulevaa tarvetta varten. Pidätämme oikeuden teknisten tietojen muutoksiin. Emme vastaa mahdollisista teksti- tai kuvavirheistä. Jos laitteeseen tulee teknisiä ongelmia, ota yhteys myymälään tai asiakaspalveluun (yhteyshenkilöt käyttöohjeen lopussa).

1. Turvallisuus

1. Ladattavien käsityökalujen yleisiä turvallisuusohjeita

Varoitus! Lue kaikki ohjeet. Seuraavien ohjeiden noudattamatta jättäminen saattaa johtaa sähköiskuun, tulipaloon ja/tai vakavaan onnettomuuteen. Alla olevan tekstin termi ”sähkökäyttöinen käsityökalu” viittaa verkko- tai akkukäyttöiseen käsityökaluun. SÄÄSTÄ NÄMÄ OHJEET.

1) Työtila

- Pidä työtilat puhtaina ja hyvin valaistuina. Täynnä tavaraa olevat ja pimeät tilat lisäävät onnettomuusriskiä.
- Älä käytä sähkökäyttöisiä käsityökaluja räjähdysriskissä ympäristössä, kuten helposti syttyvien nesteiden, kaasujen tai pölyn lähellä. Sähkökäyttöiset käsityökalut muodostavat kipinöitä, jotka saattavat sytyttää pölyn tai höyryt.
- Huolehdi siitä, ettei lähetyvillä ole lapsia tai muita sivullisia, kun käytät sähkökäyttöisiä käsityökaluja. Häiriötekijät saattavat johtaa laitteen hallinnan menettämiseen.

2) Sähköturvallisuus

- Sähkökäyttöisen käsityökalun pistokkeen tulee sopia pistorasiaan. Älä muuta pistoketta millään tavalla. Älä käytä sovitinta maadoitettujen sähkökäyttöisten työkalujen kanssa. Muuttamattomat pistokkeet ja oikeanlaiset pistorasiat vähentävät sähköiskun vaaraa.
- Vältä koskettamasta maadoitettuja esineitä, kuten putkia, lämpöpattereita, hellaa tai jääkaappia. Sähköiskun riski kasvaa, mikäli kehosi on maadoitettu.
- Älä altista sähkökäyttöistä käsityökalua sateelle äläkä käytä sitä kosteissa olosuhteissa. Veden joutuminen sähkökäyttöiseen käsityökaluun lisää sähköiskun vaaraa.
- Käsittele sähköjohtoa varoen. Älä käytä sähköjohtoa laitteen kantamiseen äläkä irrota pistoketta pistorasiasta johdosta vetämällä. Älä altista virtajohtoa kuumuudelle, öljyille, teräville reunoille tai liikkuville osille. Vioittuneet tai sotkeutuneet virtajohdot lisäävät sähköiskun vaaraa.

- e. Kun käytät sähkökäyttöistä käsityökalua ulkona, käytä ainoastaan ulkokäyttöön sopivia jatkojohtoja. Ulkokäyttöön sopivan jatkojohdon käyttäminen pienentää sähköiskun vaaraa.
- f. Jos käytät sähkökäyttöistä käsityökalua kosteassa paikassa, liitä työkalu sähköverkkoon vikavirtasuojakytkimen kautta. Vikavirtasuojakytkimen käyttäminen pienentää sähköiskun vaaraa.

3) Oma turvallisuutesi

- a. Ole huolellinen ja käytä tervettä järkeä, kun työskentelet sähkökäyttöisellä työkalulla. Älä käytä sähkökäyttöistä käsityökalua, mikäli olet väsynyt tai huumeiden, lääkkeiden tai alkoholin vaikutuksen alainen. Tarkkaavaisuuden herpaantuminen hetkeksi saattaa johtaa vakaviin henkilövahinkoihin.
- b. Käytä suojavarusteita ja suojalaseja. Suojavarusteiden, kuten hengityssuojaimen, liukuestekenkien, kypärän ja kuulosuojaimien, käyttäminen vähentää loukkaantumisvaaraa.
- c. Vältä tahatonta käynnistystä. Varmista, että virtakytkin on ”OFF”-asennossa, ennen kuin liität pistokkeen seinäpistorasiaan. On äärimmäisen vaarallista kantaa sähkökäyttöistä käsityökalua sormi virtakytkimellä/liipaisimella tai liittää sähkökäyttöinen työkalu pistorasiaan virtakytkimen ollessa ”ON”-asennossa.
- d. Poista kaikki huoltotyökalut/avaimet, ennen kuin käynnistät sähkökäyttöisen käsityökalun. Työkalun unohtaminen sähkökäyttöisen käsityökalun liikkuvan osan päälle saattaa johtaa onnettomuuteen.
- e. Älä kurota liian kauas. Varmista, että työasentosi on tasapainoinen työn jokaisessa vaiheessa. Näin olet paremmin varautunut mahdolliseen onnettomuuteen.
- f. Käytä tarkoituksenmukaisia vaatteita. Älä käytä löysiä vaatteita tai koruja. Pidä hiukset, vaatteet ja käsineet loitolla liikkuvista osista.
- g. Käytä pölynpoistojärjestelmää, mikäli käytössäsi on sellainen. Pölynpoistojärjestelmän käyttäminen voi vähentää pölyyn liittyviä vaaroja.

4) Sähkökäyttöisten käsityökalujen käyttäminen ja huoltaminen

- a. Älä pakota sähkökäyttöistä käsityökalua. Käytä suunnittelemaasi työtehtävään sopivaa sähkökäyttöistä käsityökalua. Sopiva sähkökäyttöinen käsityökalu tekee työn paremmin ja turvallisemmin oikealla nopeudella.
- b. Älä käytä sähkökäyttöistä käsityökalua, mikäli laite ei käynnisty ja sammuu virtakytkimestä. Kaikki sähkökäyttöiset käsityökalut, joita ei voi ohjata virtakytkimellä, ovat vaarallisia ja ne tulee korjata.
- c. Irrota pistoke pistorasiasta, ennen kuin teet sähkökäyttöiseen käsityökaluun säätöjä, vaihdat sen varusteita tai asetat sen säilytykseen. Nämä ennalta-ehkäisevät toimenpiteet vähentävät sähkökäyttöisen käsityökalun tahatonta käynnistymistä.

- d. Säilytä sähkökäyttöistä käsityökalua lasten ulottumattomissa. Älä luovuta sähkökäyttöistä käsityökalua henkilöille, jotka eivät osaa käyttää laitetta tai eivät ole tutustuneet sen käyttöohjeeseen. Sähkökäyttöiset käsityökalut ovat vaarallisia tottumattomien käyttäjien käsissä.
- e. Huolla sähkökäyttöisiä käsityökaluja. Tarkasta, että säädöt ovat kunnossa, liikkuvat osat liikkuvat esteettä, osat ovat ehjiä ja että sähkökäyttöinen käsityökalu toimii muutenkin moitteetta. Vialliset osat tulee vaihtaa ennen laitteen käyttöä. Monet onnettomuudet johtuvat väärin hoidetuista sähkökäyttöisistä käsityökaluista.
- f. Pidä työkalut puhtaina ja terävinä. Terätyökalun hallinta on helpompaa, kun se on oikein hoidettu ja sen terät ovat teräviä.
- g. Käytä sähkökäyttöistä käsityökalua ja sen varusteita ohjeiden mukaisesti ja sellaisella tavalla, joka sopii kyseiselle sähkökäyttöiselle käsityökalulle. Ota myös huomioon työskentelyolosuhteet ja suoritettava työ. Sähkökäyttöisen käsityökalun käyttäminen muihin kuin sille tarkoitettuihin työtehtäviin saattaa johtaa vaaratilanteeseen.

5) Ladattavien käsityökalujen käyttäminen ja huoltaminen

- a. Varmista, että laite on sammutettu virtakytkimestä, ennen kuin asennat akun. Akun asentaminen käsityökaluun, jonka virtakytkin on päällä, voi johtaa onnettomuuteen.
- b. Lataa akku ainoastaan valmistajan kyseiselle laitteelle hyväksymällä laturilla. Laturi saattaa aiheuttaa tulipalon, jos sitä käytetään vääräntyyppisen akun lataukseen.
- c. Käytä akkukäyttöisessä käsityökalussa vain siihen soveltuvia akkuja. Vääräntyyppisten akkujen käyttäminen saattaa johtaa onnettomuuteen tai tulipaloon.
- d. Kun akku ei ole käytössä, se tulee säilyttää poissa metalliesineiden (esim. paperiliittimien, kolikoiden, avainten, naulojen) ulottuvilta. Nämä saattavat muodostaa kontaktin akun napojen välille. Akun napojen oikosulku saattaa aiheuttaa palovammoja tai tulipalon.
- e. Akun vahingoittuminen saattaa johtaa akkuhapon vuotamisen. Mikäli näin käy, ei akkuun saa koskea. Jos kuitenkin saat happoa päällesi, huuhtelee kosketuskohta vedellä. Mikäli happoa joutuu silmiin, hakeudu lääkäriin. Akun happo saattaa aiheuttaa ärsytystä ja palovammoja.

6) Huolto

- a. Laitteen saa huoltaa ja korjata ainoastaan alan ammattilainen. Huollossa tulee käyttää ainoastaan alkuperäisosa. Näin taataan sähkökäyttöisen käsityökalun turvallisuus.

2. Akkuja ja laturia koskevia turvallisuusohjeita

- Älä yritä avata akkua.
- Älä säilytä akkua suorassa auringonvalossa tai yli 40 °C:n lämpötiloissa.
- Akkua saa ladata vain 4–40 °C:n lämpötiloissa.
- Älä altista akkua tai laturia vedelle.
- Älä oikosulje akkua. Räjähdysvaara!
- Käytä ainoastaan pakkauksen mukana tulevaa laturia.
- Varmista ennen lataamisen aloittamista, etteivät laturi, johto ja akku ole vahingoittuneet.
- Älä käytä laitetta, jos jokin sen osa on vahingoittunut.

3. Tuotteen merkinnät ja turvallisuussymbolit



Lue koko käyttöohje huolellisesti.



Käytä aina kuulosuojaimia.



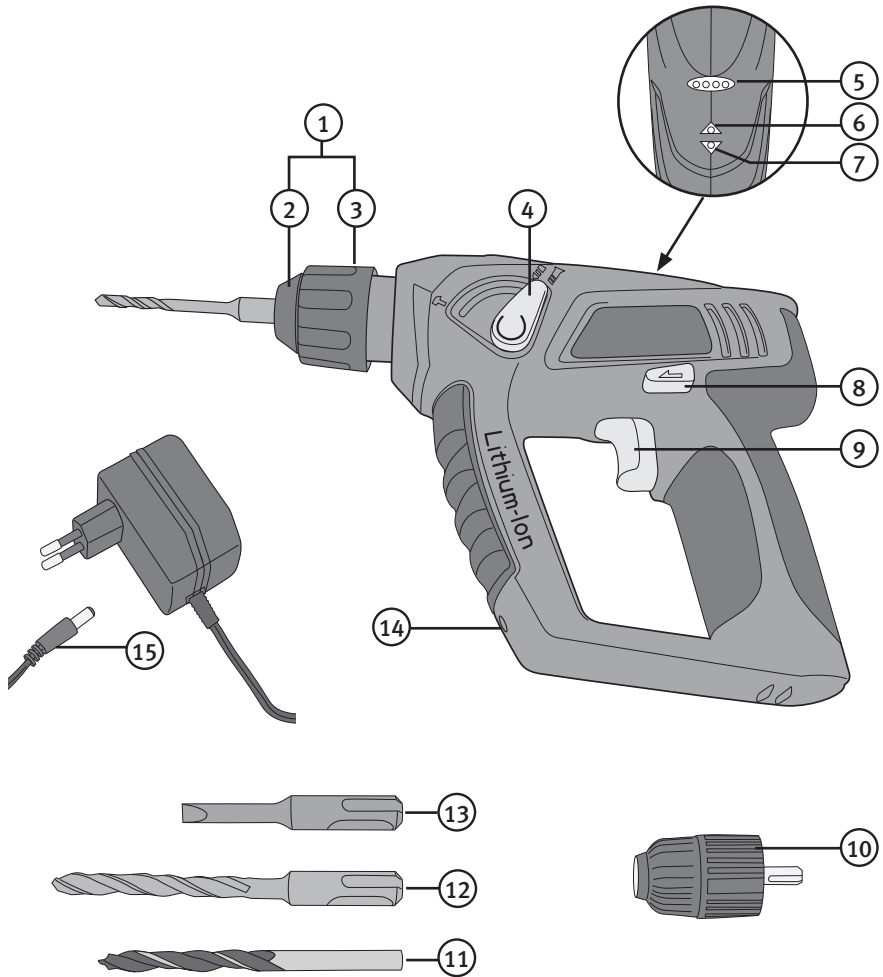
Käytä aina suojalaseja.



Vain sisäkäyttöön.

2. Tuotekuvaus

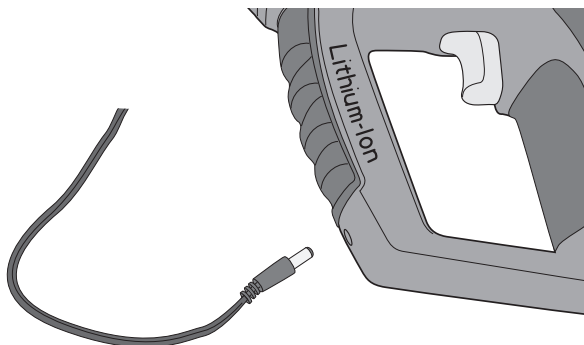
- Poravasara, porakone ja ruuvinväännin samassa koneessa.
- Poravasaratoiminnossa pneumaattinen iskumekanismi.
- SDS-plus-kiinnitys ja 10 mm:n istukka, jossa SDS-adaptteri.
- Iskuvoima 1,0 joulea, 0–4800 iskua/min. Portaaton nopeus 0–900 kierr./min.
- Suunnanvaihto.
- Porauskapasiteetti, Ø: puu 10 mm, teräs 8 mm ja betoni 10 mm.
- 14,4 V/1,3 Ah:n litiumioniakku (Li-ion).
- Mukana laturi, 3 SDS-plus-poranterää, 6 poranterää, 20 pitkää palaa ja 4 palaa, joissa SDS-plus-kiinnitys, sekä laukku.
- Paino 1,3 kg.



- | | |
|---|---|
| 1. SDS-kiinnitys | 9. Virtakytkin (portaaton) |
| 2. Pölysuoja | 10. Avaimeton istukka, jossa SDS-plus-kiinnitys |
| 3. Terän lukitus | 11. Poranterä |
| 4. Poravarara-/poraustoiminnon valitsin | 12. Poranterä, jossa SDS-kiinnitys |
| 5. Akun varaustason merkivalo | 13. Ruuvitaltta jossa SDS-kiinnitys |
| 6. Suunnan merkivalo (myötäpäivään) | 14. Latausliitäntä |
| 7. Suunnan merkivalo (vastapäivään) | 15. DC-pistoke |
| 8. Suunnanvaihdon valitsin | |

3. Lataus

- Uusi akku on ladattu vain osittain, joten sitä on ladattava 5–7 tuntia ennen ensimmäistä käyttökertaa. Akun ei tarvitse kulua loppuun ennen uudelleenlatausta. Akun voi ladata varaustason ollessa mikä tahansa. Latauksen voi keskeyttää milloin vain.
- Automaattinen sammutus. Akussa on syväpurkaussuoja. Kun akun jännite laskee, laite sammuu automaattisesti suojapiirin ansiosta.*
- Lämpötilasuoja. Akussa on lämpötilatunnistin, joka sallii latauksen vain jos akun lämpötila on 0–45 °C.
- Jos vain yksi akun varaustason merkkivalo (5) palaa noin 5 sekuntia, kun virtakytkin (9) painetaan puoliiksi (tai kokonaan) alas, akun varaustaso on alle 30 % ja akku on ladattava.
- Jos laite on pitkään käyttämättä, akku on ladattava täyteen ennen laitteen säilytystä.



1. Liitä laturi pistorasiaan ja DC-pistoke (15) latausliitäntään (14).
 2. Akun varaustason merkkivalo kertoo latauksen edistymisestä. Kun kaikki neljä valoa palavat, akku on latautunut täyteen. Latausaika on noin 5–7 tuntia normaalikäytössä. Latauksen aikana laitteen kahva lämpenee, mikä on täysin normaalia.
 3. Irrota laturi pistorasiasta ja irrota DC-pistoke. Suojaa laturi vedeltä ja kosteudelta.
- Huom.!** Poravasaraa ei voi käyttää, kun DC-pistoke on liitettyä siihen.

***VAROITUS!** Päästä virtakytkin (9) heti, jos laite sammuu automaattisesti. Tämä estää akun vahingoittumisen.

4. Käyttö

Käytä hengityssuojainta, kun työskentelet pölyävien materiaalien kanssa.

A. Työkalun vaihtaminen

SDS-plus-kiinnityksen ansiosta työkalun vaihto on nopeaa ja helppoa.

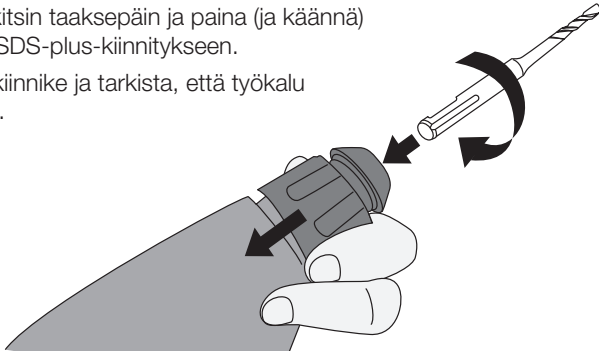
SDS-plus-kiinnityksen (1) toiminnon ansiosta asennettu työkalu liikkuu vapaasti. Työkalu siis liikkuu, kun sitä ei kuormiteta. Tämä ei vaikuta tarkkuuteen reikää porattaessa, koska pora keskittyy silloin automaattisesti.

Työkaluja, joissa on sylinterikiinnitys, voidaan käyttää pakkauksen mukana tulevassa avaimettomassa istukassa (10).

Pölysuoja (2) suojaa SDS-plus-mekanismia. Älä vahingoita pölysuojaa, kun vaihdat työkalua.

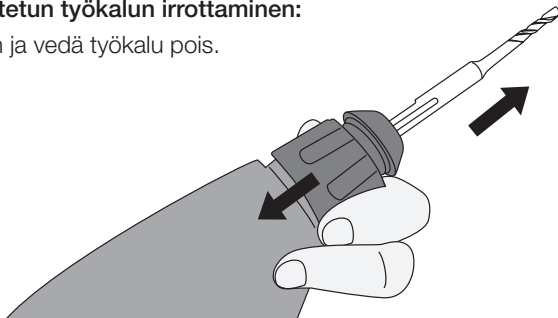
SDS-plus-kiinnityksellä varustetun työkalun kiinnitys:

1. Puhdista työkalun kiinnike ja voitele se kevyesti ohuella öljyllä.
2. Vedä lukitsin taaksepäin ja paina (ja käännä) työkalu SDS-plus-kiinnitykseen.
3. Päästä kiinnike ja tarkista, että työkalu on kiinni.



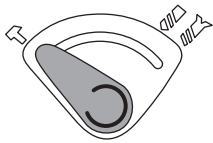
SDS-kiinnityksellä varustetun työkalun irrottaminen:

1. Vedä lukitsin taaksepäin ja vedä työkalu pois.

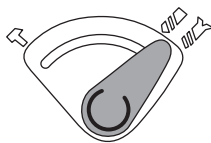


B. Toimintoasetukset

Valitse toiminto säätimellä (4) käyttötarkoituksen mukaan.



1. Käännä valitsin eteenpäin, jos haluat käyttää poravasaraa betoniin tai kiveen.



2. Käännä valitsin taaksepäin, jos haluat käyttää poraus- tai ruuvinväännintöä.

C. Suunnanvaihto

- Valitse suunta suunnanvaihdon valitsimella (8). Virtakytkin on lukittu, jos valitsin on keskiasennossa. Istukan tulee olla ihan paikallaan suuntaa vaihdettaessa.
- Merkkivalo 6 tai 7 kertoo valitun suunnan.

Myötäpäivään (poraus ja ruuvinvääntö)

Paina oikealla puolella oleva valitsin (8) pohjaan ja tarkista, että merkkivalo (6) palaa, kun painat virtakytkintä.

Vastapäivään (ruuvien irrottaminen)

Paina vasemmalla puolella oleva valitsin (8) pohjaan ja tarkista, että merkkivalo (7) palaa, kun painat virtakytkintä.

D. Käynnistys, sammutus ja kierrosluvun säätö

- Käynnistä ja sammuta kone virtakytkintä (9) painamalla ja päästämällä.
- Koneessa on portaaton kierrosluvun säätö, mikä on erinomainen erityisesti ruuvinväännintöä käytettäessä. Mitä kovemmin liipaisimesta painetaan, sitä suuremmaksi kierrosluku kasvaa.

E. Vinkkejä poraukseen

- Kun poraat liukasta pintaa, esim. klinkkeriä, aseta vahva teipinpala porattavaan kohtaan, ettei pora pääse luisumaan pois porauskohdasta.
- Kun poraat metallia, tee aluksi pistepuikolla pieni kolo porauskohtaan. Kolo keskittää poran oikeaan kohtaan niin, että se ei pääse liukumaan porattaessa.
- Metallia poratessa kannattaa myös käyttää pora-/kierreöljyä työkalun säätämiseksi.

E. Akun varaustason tarkistus

Akun varaustason merkkivalo (5) kertoo akun varaustason, kun virtakytkin painetaan pohjaan:

Kaikki neljä valoa palaa	> 90 %
Kolme valoa palaa	> 70 %
Kaksi valoa palaa	> 30 %
Yksi valo palaa	< 30 %

HUOM.!
**Akku on ladattava, kun
vain yksi valo palaa.**

G. Lämpötilasuoja

Jos akkua kuormitetaan liikaa tai jos sen lämpötila nousee yli 70 °C:een, moottori sammuttaa siksi aikaa, kunnes akun lämpötila on laskenut. Jos painat virtakytkintä moottorin sammumassa, akun varaustason merkkivalo vilkkuu, kunnes päästät virtakytkimen.

5. Huolto ja ylläpito

- Pidä moottorin tuuletusaukot puhtaina puruista ja roskista.
- Puhdista laite säännöllisesti tiskiaineella ja kostutetulla liinalla. Älä käytä vahvoja puhdistusaineita.
- Jos laite on pitkään käyttämättä, akku on ladattava täyteen ennen laitteen säilytystä.

6. Kierrätys

Kierrätä tuote asianmukaisesti, kun poistat sen käytöstä. Tarkempia kierrätysohjeita saat kuntasi jäteneuvonnasta.

7. Tekniset tiedot

Malli	KPLCT0301, KPLCT0301-UK
Käyttöjännite	14,4 V
Kierrosluvu, portaaton (kuormittamaton)	0–900 kierr./min
Iskumäärä	0–4800 iskua/min
Istukka	10 mm:n avaimeton istukka
Porauskapasiteetti, Ø	teräs 8 mm, puu 10 mm, betoni 10 mm
Melutaso	LpA: 80,5 dB(A) (Epätarkkuus KpA: 3 dB) LwA: 91,5 dB(A) (Epätarkkuus KwA: 3 dB) 5,915 m/s ² (Epätarkkuus K:1,5 m/s ²)
Tärinätaso	
Paino	1,3 kg
Akku	Litiumioni (Li-Ion)
Jännite	14,4 V
Kapasiteetti	1,3 Ah
Laturi	
Tulojännite	230 V AC, 50 Hz, 17 W
Lähtöjännite	18 V DC, 400 mA (+ keskellä)
Latausaika	5–7 tuntia

Declaration of Conformity

Försäkran om överrenstämelse

Samsvareklæring

Vakuutus yhdenmukaisuudesta



CLAS OHLSON AB

SE-793 85 INSJÖN, SWEDEN

Declares that this product complies with the requirements of the following directives and standards

Intygar att denna produkt överensstämmer med kraven i följande direktiv och standarder

Bekrefter at dette produktet er i samsvar med følgende direktiver og standarder

Vakuuttaa, että tämä tuote täyttää seuraavien direktiivien ja standardien vaatimukset

CORDLESS ROTARY HAMMER

COTECH 40-7994 / 18-3199

KPLCTo301 / KPLCTo301-UK

**Machinery directive
2006/42/EC**

EN 60745-1:2009
EN 60745-2-6:2003
+A1+A11+A2+A12

**EMC directive
2004/108/EC**

EN 55014-1:2006
EN 55014-2:1997+A1
EN 61000-3-2:2006
EN 61000-3-
3:1995+A1+A2

Klas Balkow
President

Insjön, Sweden, 2011-09-30



SVERIGE

KUNDTJÄNST Tel: 0247/445 00
 Fax: 0247/445 09
 E-post: kundtjanst@clasohlson.se

INTERNET www.clasohlson.se

BREV Clas Ohlson AB, 793 85 INSJÖN

NORGE

KUNDESENER Tlf.: 23 21 40 00
 Faks: 23 21 40 80
 E-post: kundesenter@clasohlson.no

INTERNETT www.clasohlson.no

POST Clas Ohlson AS, Postboks 485 Sentrum, 0105 OSLO

SUOMI

ASIAKASPALVELU Puh.: 020 111 2222
 Sähköposti: info@clasohlson.fi

INTERNET www.clasohlson.fi

OSOITE Clas Ohlson Oy, Annankatu 34-36 A, 00100 HELSINKI

UNITED KINGDOM

For consumer contact, please visit
www.clasohlson.co.uk and click on
customer service.

INTERNET www.clasohlson.co.uk