

41-2650

Cocraft®

LOG SPLITTER 6.5T

HL6.5T

SPLITTING LENGTH: 15-52 CM

VEDKLYV
VEDKLØYVER
HALKOMAKONE



Important!

Read the entire instruction manual carefully and make sure that you fully understand it before you use the equipment. Keep the manual for future reference.

Viktig information:

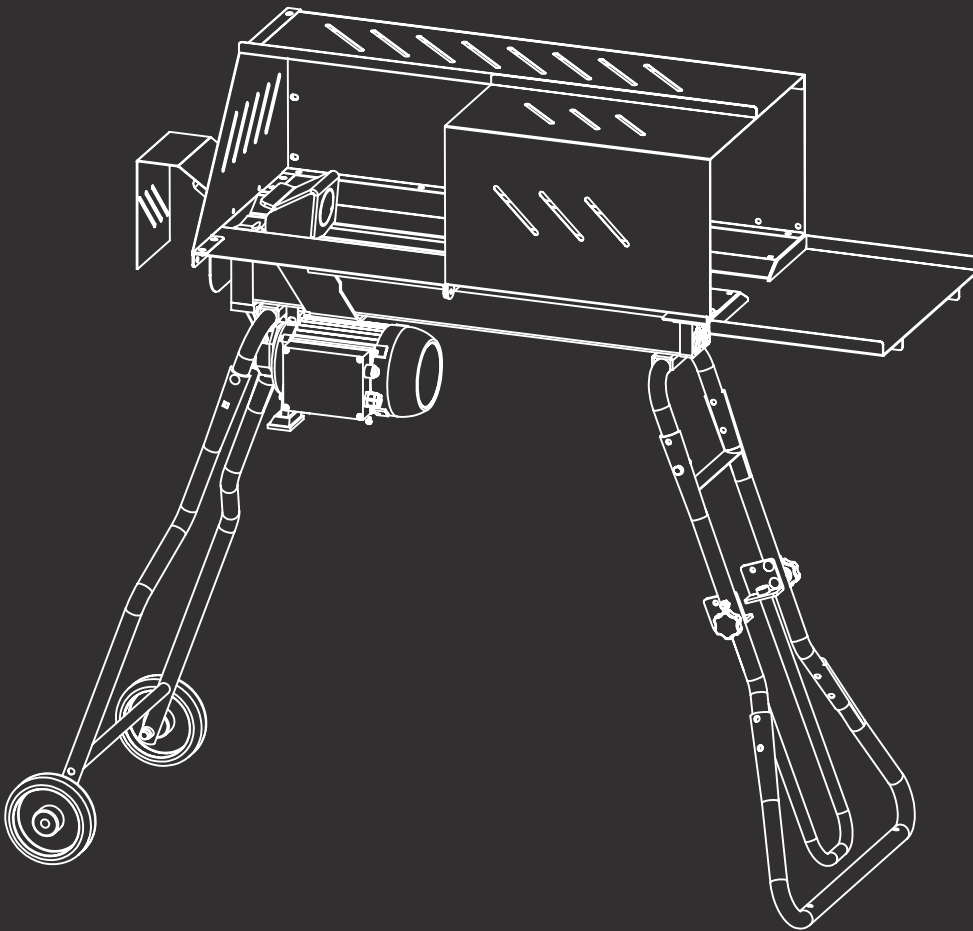
Läs hela bruksanvisningen noggrant och försäkra dig om att du har förstått den innan du använder utrustningen. Spara bruksanvisningen för framtida bruk.

Viktig informasjon:

Les disse anvisningene nøye og forsikre deg om at du forstår dem, før du tar produktet i bruk. Ta vare på anvisningene for seinere bruk.

Tärkeää tietoa:

Lue nämä ohjeet huolellisesti ja varmista että olet ymmärtänyt ne, ennen kuin alat käyttää laitetta. Säilytä ohjeet myöhempää tarvetta varten.



Art.no
41-2650

Model
LS7000/520C-S

Ver. 20220922
Original instructions
Bruksanvisning i original
Originalbruksanvisning
Alkuperäinen käyttöohje

ENGLISH

SVENSKA

NORSK

SUOMI

6.5-Tonne Log Splitter

Art. no 41-2650 Model LS7000/520C-S

Please read the entire instruction manual before using the product and then save it for future reference. We reserve the right for any errors in text or images and any necessary changes made to technical data. In the event of technical problems or other queries, please contact our Customer Services (see address details on the back).



Warning:

When using this product, the safety instructions included in this manual should always be followed to avoid the risk of fire, electric shock, and personal injury.



Always unplug the mains lead from the wall socket before servicing or making any adjustments to the product.

Product safety symbols



Warning: Electric shock risk.



Warning: Risk of crushing. Keep hands well away from any moving parts during the entire splitting operation.



Warning: Risk of crushing. Always pay attention to the movement of the ram.



Warning: Objects ejected by the product can hit the operator or other persons in the vicinity and cause damage to property. Keep children and bystanders at a safe distance from the work area. Never allow another person to help you free a jammed log. If persons under 18 years of age are to operate the log splitter, they must be instructed in the safe use of the product and understand the hazards involved. Persons under 18 years of age must be supervised by an adult whilst operating the log splitter.



Bleed Screw



Make sure that you have read and understood the entire instruction manual before using the product.



Use protective eyewear and hearing protection.



Wear protective gloves.



Wear non-slip safety shoes.



Switch off and unplug the product whenever it is not in use and before it is cleaned or serviced.



Warning: None of the safety devices on the product must be modified in any way.



Warning: Always **work alone** with the log splitter. Two people must not operate the log splitter at the same time.



Warning: Never use the product in the rain or in wet conditions.

General safety instructions

1. **Keep the working area tidy.** Cluttered surfaces and benches invite accidents.
2. **Do not use the machine in dangerous environments.** The machine should not be used on moist or wet surfaces or in rain. Make sure that the work area is well lit. When working in dusty atmospheres, make sure that the air is adequately circulated. Do not operate power tools in explosive atmospheres, such as in the presence of flammable liquids, gases or dust.
3. **Avoid electric shocks.** Avoid body contact with earthed or grounded surfaces such as pipes, radiators, ranges and refrigerators when using power tools.
4. **Keep children and bystanders away.** Keep children and visitors at a safe distance from electrical machinery/tools and electric cables in the workplace.
5. **Store power tools out of the reach of children.** When not in use, power tools should be stored locked away in a safe place, away from children.
6. **Do not force the machine.** The correct feed rate makes the work better and safer.
7. **Use the correct tool for the job.** Do not force a tool to perform a task that it was not designed for.
8. **Wear suitable attire.** Do not wear any loose-fitting clothing, gloves, necklaces, bracelets or other jewellery that can get caught in moving parts. Non-slip footwear is recommended. Wear a hairnet or similar if you have long hair.
9. **Always wear safety glasses.** Normal glasses are not tough enough to withstand impacts. Use a dust mask or dust filter when working in dusty environments.
10. **Connect dust extraction equipment.** If the machine is equipped with dust extraction equipment, ensure that it is connected and used properly. Make sure to empty the dust bag regularly.
11. **Do not abuse the mains lead.** Do not carry the machine by its mains lead. Do not yank the mains lead to turn the power off, pull the plug out instead. Make sure that the mains lead does not come into contact with heat, oil, or sharp edges.
12. **Secure the workpiece firmly.** Where possible, use clamps or a vice. You can then operate the tool using two hands. This is much safer than holding the workpiece in one hand.
13. **Do not overreach.** Make sure that you stand steady and balanced all times.
14. **Look after your tools.** Keep blades sharp and clean for the best and safest performance. Follow the instruction manual's recommendations regarding lubrication and replacement of accessories. Inspect the mains lead regularly. If it is damaged it should be replaced by a qualified service technician. Inspect all leads and cables regularly to check for any damage. Make sure that the machine's handles and controls are clean, dry and free from oil and grease.
15. **Turn the power off.** Pull out the plug and push in the emergency stop button before servicing or changing any blades, drill bits, cutters or sanding discs.

16. **Remove all spanners and repair tools.** Make a habit of checking to make sure that the machine is free of all spanners and tools before turning the power on.
17. **Avoid accidental starts.** Do not walk around with your finger on the trigger of a power tool if it is plugged in. Make sure that the on/off switch is set to OFF before plugging in any power tool.
18. **Use the correct extension leads.** If you use extension leads outdoors, only use those designed for outdoor use. Only use extension leads with thick enough diameter core wires and roll out the whole lead.
19. **Use common sense and be careful.** Think carefully before carrying out every action, so that it is carried out safely. Never operate machines/power tools when you are tired or under the influence of medicine.
20. **Inspect the tool for damage.** Before starting the tool, make sure that the guards and other parts are undamaged and working properly, that moving parts can rotate freely and are correctly aligned, that no moving parts can get caught and that there is no fault or defect that could affect the performance of the machine. A safety guard or any other part that is damaged should be repaired by a tradesman or replaced. Damaged power leads and switches must always be replaced by a tradesman. Never operate a tool if you cannot stop or start the tool comfortably.
21. **Use only recommended accessories.** The use of non-recommended accessories can cause accidents and personal injury.
22. **Repairs should only be carried out by a qualified repair person using genuine identical replacement parts.**
23. **All power tools should be connected to the mains via a portable residual current device (PRCD).**
The product must not be modified or used for any other purpose than that for which it has been designed. Regularly check that all screws and nuts are securely tightened.

Specific safety instructions for log splitters

- The log splitter is only intended to be used by one operator at a time. The log splitter must not be operated by more than one person at a time.
- Locate the log splitter on dry, level ground which is not slippery.
- Make sure that branches are cut off flush with the log before splitting.
- Save the instruction manual, make sure that it accompanies the log splitter if it is borrowed.
- Split wood in the direction of the grain. Do not attempt to split wood across the grain.
- Read the warning labels on the log splitter and make sure that they are legible.
- Make sure that the electrical socket you intend to use has the correct voltage (230 V) before connecting the log splitter.
- Never attempt to adjust the force setting yourself. The log splitter is pre-set at the factory for a maximum splitting force of 6 tonnes.
- Tampering with the pressure settings can lead to diminished performance and damage to the machine and result in serious person injury.
- Do not attempt to split two logs at the same time.
- Never attempt to right a leaning log with your hand whilst the ram is in motion. Stop the machine and move the log so that it is standing vertically.
- Never attempt to hold a log with your hand whilst the ram is in motion.
- If a log jams or fails to be split because it exceeds the capacity of the ram, release both control levers and let the ram return to its original position, otherwise there is a risk that the motor will become damaged by overheating.
- Switch off the log splitter and disconnect it from the mains supply whenever you take a break and before starting any maintenance procedures. Make sure that log splitter cannot be started by any children or unauthorised person.
- Make sure that all the safety features on the log splitter are correctly fitted and functioning properly.
- Wear safety glasses, ear defenders and safety shoes if necessary.
- Always stand in such a way that you can perform all work tasks whilst maintaining good balance and grip the control levers in both hands.
- Keep your hands and fingers well away from the and splitting wedge. When operating machines, always use your common sense and be careful.
- Make sure that there are no bystanders or pets close to the machine, sharp splinters can be ejected by the blade with great force.
- Connect the log splitter to a wall socket via an RCD.
- Never use the log splitter in the rain or wet conditions.

- Never use the log splitter if the power switch, plug, mains lead or any other part is damaged. The defective part must be replaced by a qualified repair person.
- Make sure that this instruction manual always accompanies the product and that it is kept accessible and legible.
- Make sure that everyone who uses the product has read and understood the entire instruction manual.
- Always be alert and careful when operating the product. Think carefully before carrying out every action, so that it is carried out safely. Never use the product when you are tired, sick or under the influence of alcohol, drugs or medicine.

Other safety symbols



Warning: Do not overreach. Keep proper footing and balance at all times. Never stack your logs in such a way that you need to stretch to reach them. Only use your hands to operate the log splitter. Never use other parts of the body or devices which could enable your hands to become crushed between the splitting wedge and the log. Pay attention to the movement of the hydraulic ram at all times. Never stack logs on top of each other and try to split two at once. Never attempt to load a log into the log splitter while the ram is in motion. Keep hands away from moving parts.



Warning: Keep your hands clear of the ram when it is returning after it has split the log. The log splitter is designed to stop only when the ram has returned to its original position. Keep your hands away from any splits and cracks which open in logs. They may close suddenly which could cause serious personal injury. Never attempt to remove jammed logs by hand.



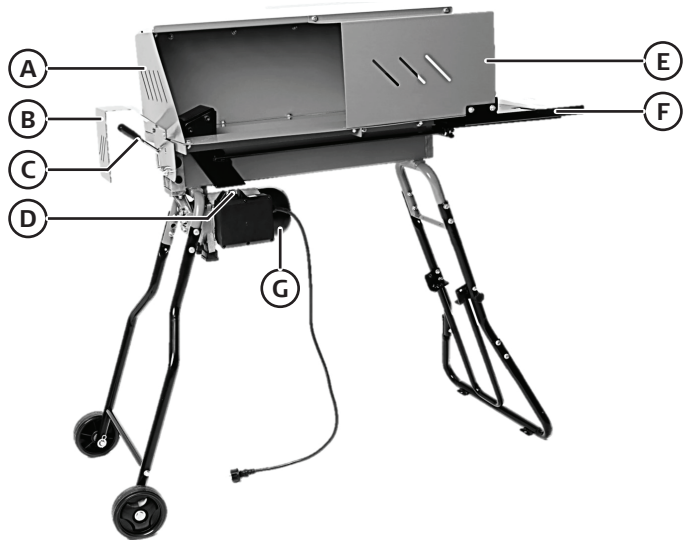
Consider the environment, dispose of waste oil in accordance with local regulations.



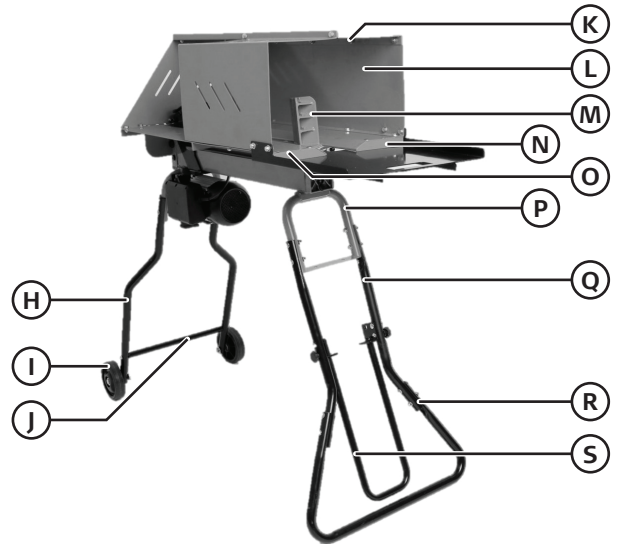
Make sure that the log splitter is undamaged, that none of the safety features are missing and that they are fitted correctly and working. Never operate the log splitter if any of the safety features is damaged or missing. Check the oil level before starting the log splitter.

Product description

- A End guard
- B Control lever guard
- C Control lever
- D Power switch
- E Front guard
- F Log collector table
- G Electric motor



- H Wheeled left support legs x 2
- I Wheels x 2
- J Cross member
- K Upper guard
- L Rear guard
- M Splitting wedge
- N Rear log retaining plate
- O Front log retaining plate
- P Log splitter leg
- Q Right support leg upper sections x 2
- R Right support leg lower sections x 2
- S Handle



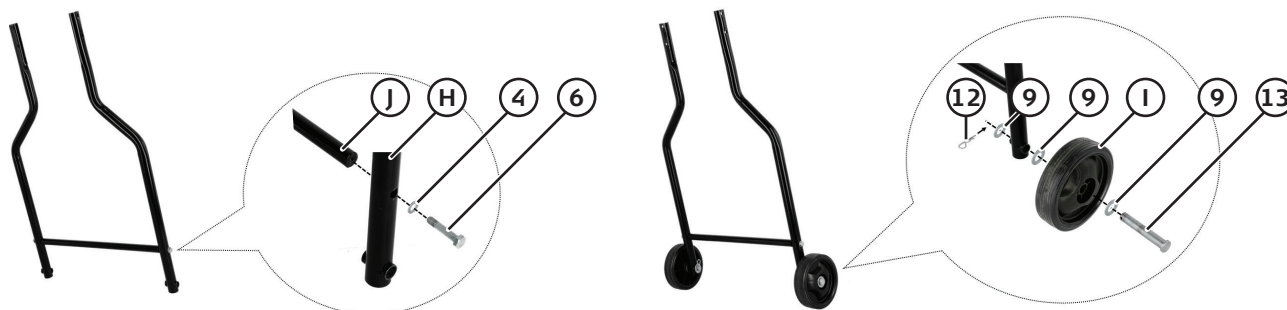
| | | | | | | | |
|---|--|--------------------|--------|---|--|-------------------------------|-------|
| ① | | Bolt M6 x 14 | 2 pcs | ⑨ | | Washer 14 | 6 pcs |
| ② | | Washer M6 | 2 pcs | ⑩ | | Coach bolt M8 x 40 | 2 pcs |
| ③ | | Nut M6 | 2 pcs | ⑪ | | Locking knob | 2 pcs |
| ④ | | Washer M8 | 90 pcs | ⑫ | | R-clip | 2 pcs |
| ⑤ | | Lock nut M8 | 44 pcs | ⑬ | | Axel | 2 pcs |
| ⑥ | | Bolt M8 x 45 | 14 pcs | ⑭ | | Spanner | 2 pcs |
| ⑦ | | Bolt M8 x 16 | 28 pcs | ⑮ | | Spare gasket for oil dipstick | 1 pcs |
| ⑧ | | Coach bolt M8 x 45 | 4 pcs | | | | |

Assembly

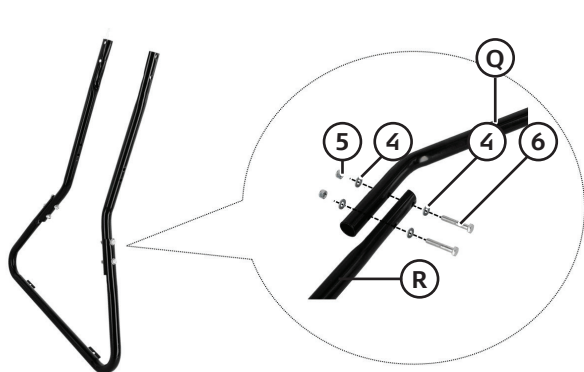
 Important

Always get someone to help you assemble the log splitter. The log splitter is heavy and it will be easier and safer if two people carry out the assembly.

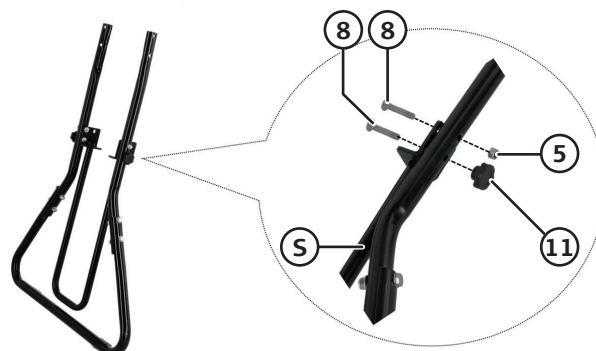
When splitting logs however, you must **always** operate the controls of the machine by yourself. Two people must **never** operate the machine at the same time.



1. Wheeled left support legs

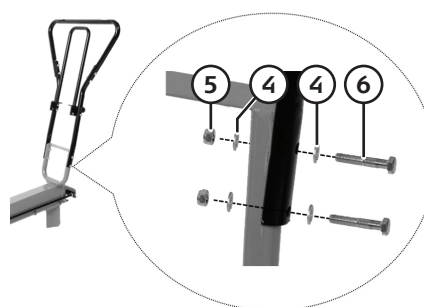
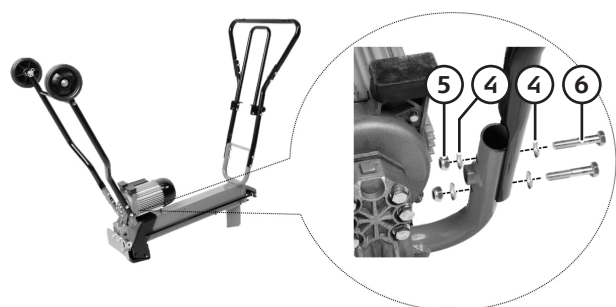
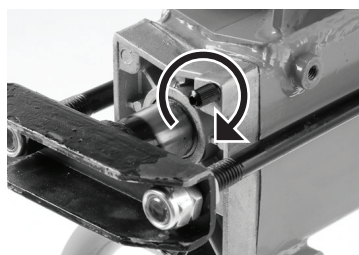


2. Right support legs

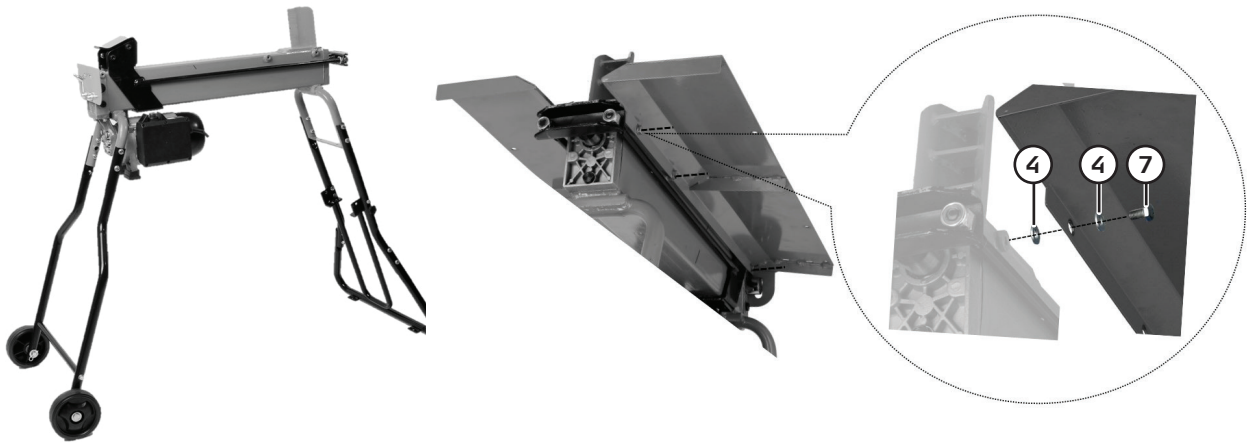


3. Handle

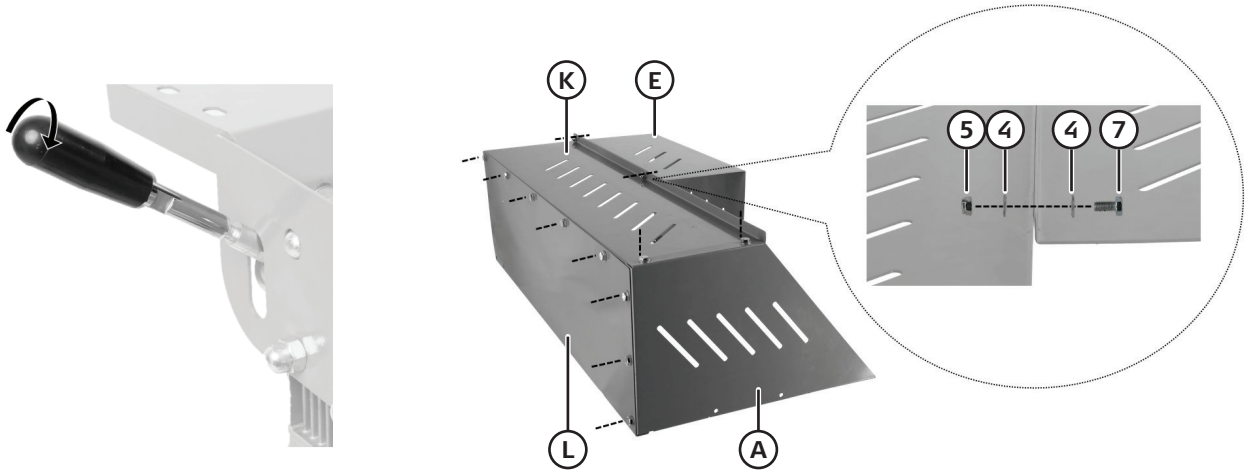
4. Attaching the support legs to the log splitter



Turn the log splitter upside down and bolt the legs onto it.

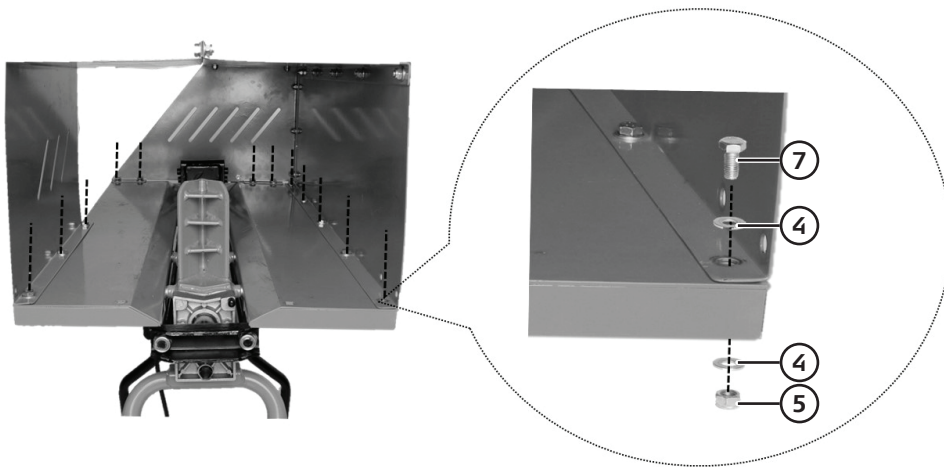


5. Turn the log splitter over so that it is standing on its legs. Attach the two log retaining plates, front and rear.

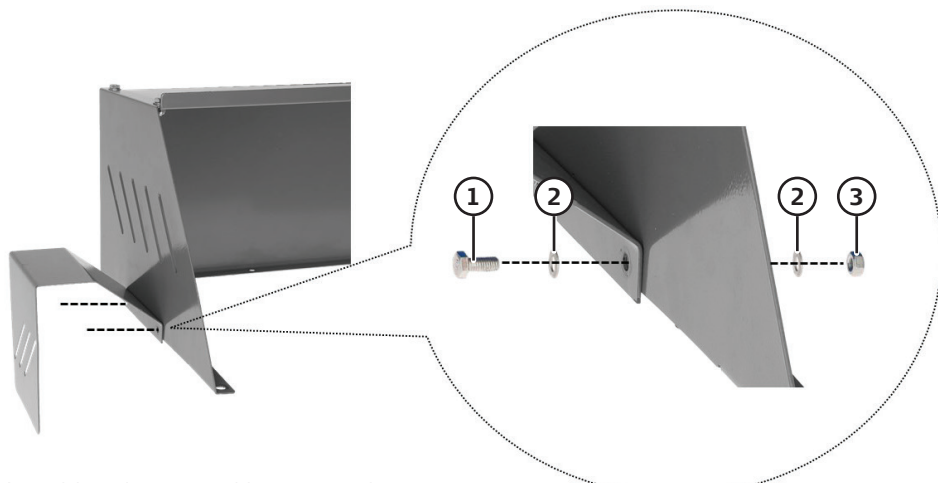


6. Control lever

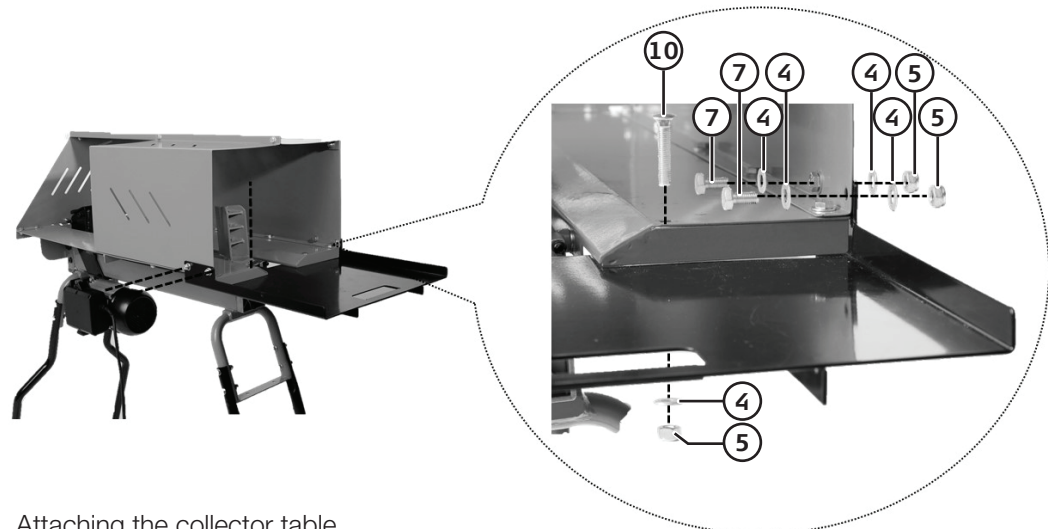
7. Assembling the log splitter guard



8. Attaching the guard to the log splitter



9. Attaching the control lever guard

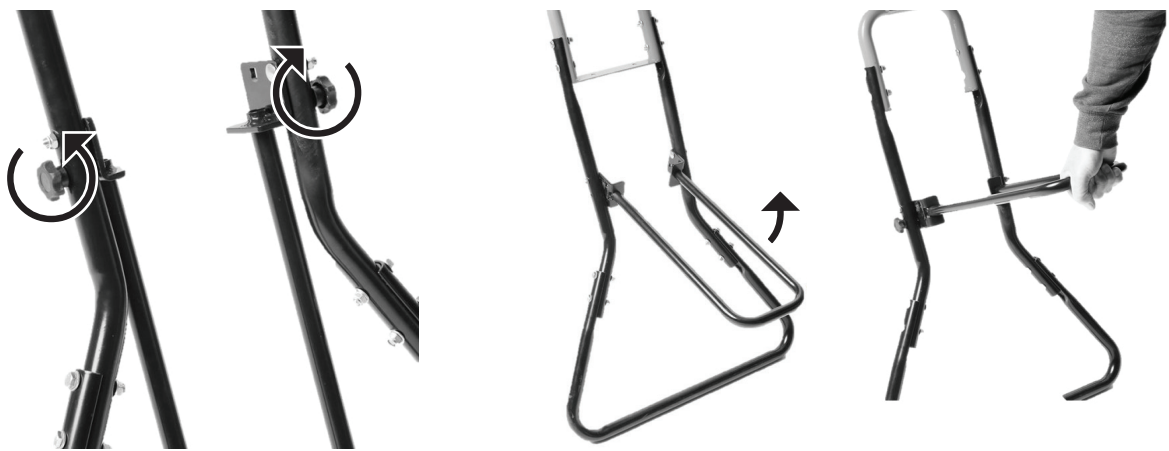


10. Attaching the collector table

Instructions for use

Handle

1. The handle can be raised to make it easier to move the log splitter.




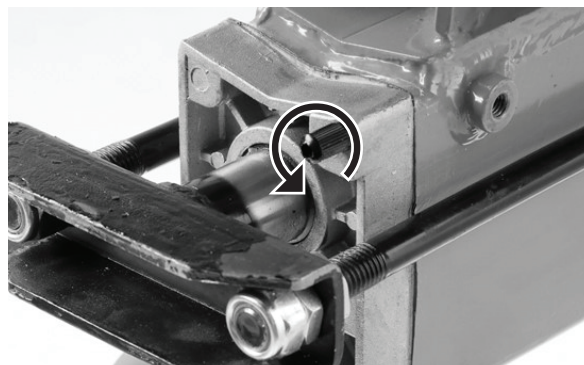
2. Undo the two locking knobs and remove the coach bolts.

3. Lift the handle up until the holes in the end line up with the lower holes in the legs, refit the coach bolts and tighten the locking knobs.

Before starting

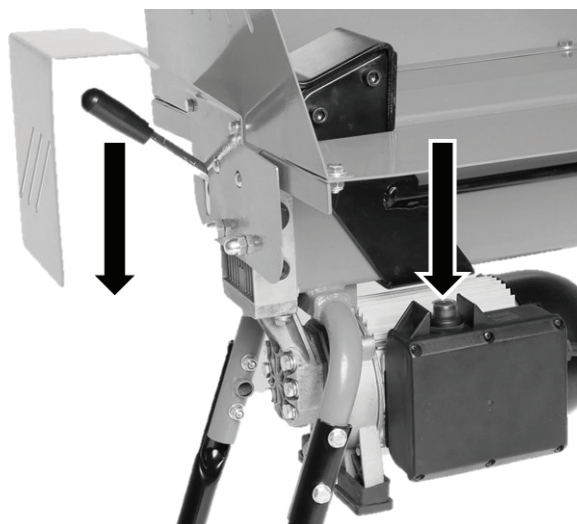
- The log splitter should be placed on a firm and level surface.
- Inspect the log splitter to make sure that all nuts and bolts are securely tightened and that there is no visible damage to the mains lead, the plug or the power switch.
- Connect the mains lead to an earthed wall socket. The wall socket should be protected by a residual current device (RCD) with an actuating current of 30 mA. Do not route the mains lead where it could be damaged or where someone could trip over it.


 **Important:** Unscrew the bleed screw 3 or 4 turns to ensure a detectable flow of air to the oil tank while the log splitter is in operation.



Splitting a log

- Always place the least knotty end of the log toward the wedge, always split along the grain.
- Lay the log as stably as possible between the log retaining plates.
- Start the motor by pressing and holding in the power switch.
- Start the hydraulic ram by depressing the control lever.
- The hydraulic ram will now force the log against the splitting wedge.
- Release the control lever and the power switch to discontinue the splitting operation, the return springs will now return the ram to its starting position.



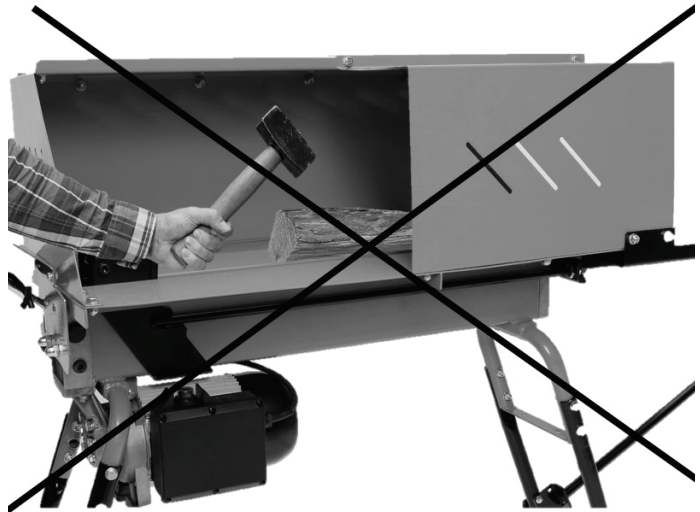
 **Important:** If the wood does not start to split after 5 seconds despite full pressure: release the control lever and the power switch and let the ram return to the starting position. Turn the log through 90 degrees and try to split it again.

If the log jams

- Stop the log splitting operation.
- When the ram has returned to the starting position: place a wooden wedge under the jammed log.
- Start the log splitter and force the wedge under the log using the ram.
- Repeat the procedure with a larger wedge if necessary.



⚠ Important: Never try to dislodge a log which is under tension, it could split and fly off with great force and damage the log splitter or cause an injury.



Care, maintenance and storage

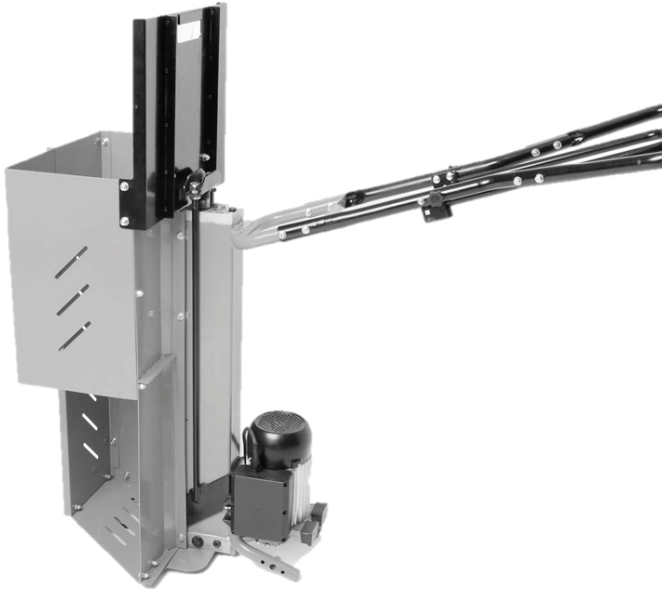
- Always unplug the mains lead from the wall socket before any servicing or cleaning.
- Clean all the parts of the log splitter with a brush and dry rags.
- Always unplug the log splitter and store it in a dry, clean and non-corrosive environment out of children's reach whenever it is not in use. Make sure that the storage temperature does not fall below $-25\text{ }^{\circ}\text{C}$.
- Make sure that the bleed screw is closed before the log splitter is moved or put away, otherwise oil could leak out. If the bleed screw is left open when the log splitter is stored away, the oil will absorb moisture from the air which can lead to corrosion within the hydraulic system.
- The splitting wedge should be kept sharp by filing it regularly with a fine-toothed file.

Checking the oil level/changing the oil

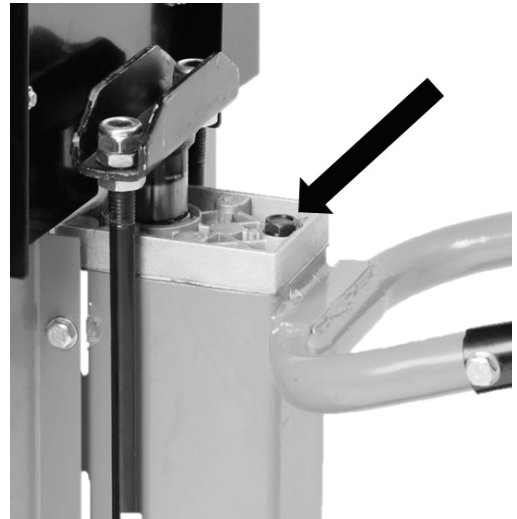
△ Important: Always get someone to help you change/check the oil. It will be easier and safer if two people are involved and can assist each other.

The first oil change should take place after 50 hours of operation and thereafter after every 250 hours of operation.

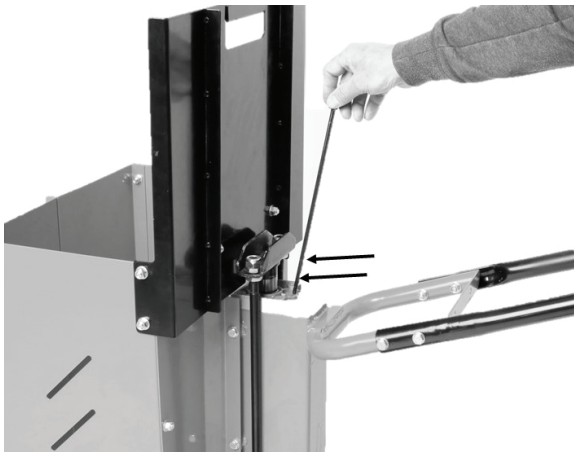
Checking the oil level



1. Remove the wheeled left support legs and stand the log splitter on its end as shown in the picture.



2. Make sure that the area around the oil dipstick is clean and free from dust and debris.



3. Unscrew the dipstick and wipe it clean. Insert the dipstick into the oil cylinder but do not screw it on. Remove the dipstick and check the oil level. The oil level should be between the two grooves on the dipstick.
4. Screw the dipstick back in again. Do not overtighten the dipstick, doing so could damage the seal.

Changing the oil

1. Follow steps 1 and 2 in the *Checking the oil level* section above.
2. Suction out the oil using an oil suction pump. Take the used oil to your local household recycling site for safe disposal.
3. Replace the old oil with new oil (3.2 litres of hydraulic oil).
4. Check the oil level and screw the dipstick back on again. Do not overtighten the dipstick, doing so could damage the seal.

Troubleshooting guide

| | |
|---|--|
| The log doesn't split. | <ul style="list-style-type: none"> • Log improperly positioned. Turn the log around or rotate it. • The log is too big or too hard. • The wedge is blunt or damaged. Sharpen the wedge (refer to the <i>Care, maintenance and storage</i> section). • Oil pressure low, check the oil level (refer to the <i>Care, maintenance and storage</i> section). |
| The hydraulic ram moves jerkily, makes strange noises and vibrates heavily. | <ul style="list-style-type: none"> • Oil pressure low, check the oil level (refer to the <i>Care, maintenance and storage</i> section). |
| The motor does not start. | <ul style="list-style-type: none"> • Is the plug securely connected to the wall socket? • Is the wall socket energised? |

Responsible disposal

This symbol indicates that the product should not be disposed of with general household waste. This applies throughout the entire EU. In order to prevent any harm to the environment or health hazards caused by incorrect waste disposal, the product must be handed in for recycling so that the material can be disposed of in a responsible manner. When recycling your product, take it to your local collection facility or contact the place of purchase. They will ensure that the product is disposed of in an environmentally sound manner.



Specifications

| | |
|----------------------------|--------------------------------|
| Rated voltage | 230 V AC, 50 Hz |
| Power | 2600 W S3 20% |
| IP rating | IP54 |
| Log capacity | Ø 50–250 mm, length 150–520 mm |
| Rec. operating temp | +5 °C to + 40 °C |
| Splitting force | 6.5 t |
| Hydraulic oil | 3.2 L |
| Size | 1560 × 590 × 1330 mm |
| Weight | 77 kg |

Vedklyv 6,5T

Art.nr 41-2650 Modell LS7000/520C-S

Läs igenom hela bruksanvisningen före användning och spara den sedan för framtida bruk.
Vi reserverar oss för ev. text- och bildfel samt ändringar av tekniska data.
Vid tekniska problem eller andra frågor, kontakta vår kundtjänst (se adressuppgifter på baksidan).

Varning!

När du använder produkten ska alltid dessa generella säkerhetsregler följas för att undvika brandfara, elektrisk chock och personskada.



Dra alltid ut stickproppen ur vägguttaget före service och justering av produkten!

Säkerhetssymboler på produkten



Varning! Risk för elektrisk stöt.



Varning! Klämrisk, var uppmärksam, håll undan händerna från rörliga delar under hela klyvmomentet.



Varning! Klämrisk, var alltid uppmärksam på hur tryckplattan rör sig.



Varning! Föremål som kastas ut från produkten kan studsas och orsaka personskada och skada på egendom. Håll åskådare, barn och husdjur på behörigt avstånd från arbetsplatsen. Använd aldrig medhjälpare för att lossa ett vedstycke som fastnat. Om personer under 18 års ålder använder vedklyven måste de på ett säkert sätt kunna hantera den och förstå de risker och faror som kan uppkomma. Personer under 18 års ålder ska övervakas av vuxen under arbetets gång.



Luftskruv



Försäkra dig om att du läst och förstått hela bruksanvisningen innan du använder produkten.



Använd skyddsglasögon och hörselskydd.



Använd skyddshandskar.



Använd halkfria skyddsskor.



Slå av produkten och dra ut stickproppen ur vägguttaget när produkten inte används och före service och rengöring.



Varning! Inga säkerhetsdetaljer får på något sätt modifieras eller ändras.



Varning! Arbeta **alltid ensam** vid vedklyven. Två personer får inte på något sätt manövrera eller använda produkten samtidigt.



Varning! Använd aldrig produkten i regn eller andra blöta väderförhållanden.

Generella säkerhetsregler

- Håll arbetsutrymmet rent.** Belamrade ytor och bord inbjuder till olyckor.
- Använd inte maskinen i riskfylld miljö.** Elmaskiner ska inte användas på fuktiga, våta ytor eller vid regn. Se till att belysningen är god i arbetsutrymmet. Sörj för god luftväxling vid dammande arbeten. Använd aldrig elektriska maskiner/verktyg där de kan förorsaka brand eller explosion.
- Undvik elektrisk stöt.** Undvik kroppskontakt med jordade föremål som vattenledning, element, köksspis etc. samtidigt som du använder elmaskiner/verktyg.
- Håll undan barn och besökare.** Alla barn och besökare bör befinna sig på säkerhetsavstånd från elmaskiner/verktyg eller elkablar i arbetsutrymmet.
- Förvara maskinerna barnsäkert.** Förvara elmaskiner/verktyg inlåsta eller utom räckhåll för barn när de inte används.
- Pressa inte maskinen.** Den gör jobbet bättre och säkrare med avsedd matningshastighet.
- Använd rätt verktyg.** Pressa inte ett verktyg eller en tillsats att göra ett arbetsmoment som den inte är gjord för.
- Bär lämplig klädsel.** Bär inte löst sittande kläder, vantar, halsband, ringar, armband eller andra smycken som kan fastna i roterande delar. Halksäkra skor rekommenderas. Bär hårnät eller motsvarande om du har långt hår.
- Bär alltid skyddsglasögon.** Bär alltid skyddsglasögon, vanliga glasögon räcker inte. Använd dammfilter eller skyddsmask vid dammande arbeten.
- Använd utsug.** Använd utsugningsutrustning för att ta bort och samla damm och spån om maskinen är avsedd för det. Se till att utrustningen används på rätt sätt och töms vid behov.
- Misshandla inte nätsladden.** Bär aldrig maskinen i nätsladden. Ryck inte i sladden, utan dra i stickproppen när du bryter strömmen. Se till att nätsladden inte kommer i kontakt med värme, olja eller vassa kanter.
- Sätt fast ämnet ordentligt.** Använd tvingar eller skruvstycke där det går; då kan du hantera verktyget med två händer. Det är säkrare än att hålla fast ämnet med ena handen.
- Sträck dig inte för långt.** Se till att du hela tiden står säkert med god balans.
- Håll verktygen i trim.** Se till att de är rena och eggarna vassa för optimal effekt och ett säkert resultat. Följ bruksanvisningens rekommendationer för smörjning och byte av tillbehör. Kontrollera nätsladden regelbundet, om den är skadad ska den bytas av en kvalificerad servicetekniker. Syna alla skarvsladdar regelbundet så att de inte är skadade. Se till att maskinens/verktygets handtag och reglage är torra, rena och helt fria från olja, fett etc.
- Slå av strömmen.** Dra ur stickproppen och tryck in nödstopp före service och vid byte av tillbehör som hyvelstål, borrar, skär, slipband eller blad.
- Ta bort alla nycklar och serviceverktyg.** Gör det till en vana att kontrollera att alla nycklar och serviceverktyg är borttagna från maskinen innan du slår på strömmen.

17. **Undvik oavsiktlig start.** Bär inte ett verktyg med ett finger på strömbrytaren/avtryckaren om sladden sitter i ett uttag. Se till att strömbrytaren står på OFF när du sätter in stickproppen.
18. **Använd rätt skarvsladdar.** Om du använder skarvsladdar utomhus, använd endast de som är avsedda för utomhusbruk. Använd skarvsladdar med tillräcklig ledararea och rulla ut hela sladden.
19. **Använd sunt förnuft och var försiktig.** Tänk efter innan du utför ett arbetsmoment, så att du kan utföra det på ett säkert sätt! Använd inte maskinen/verktyget när du är trött, påverkad av alkohol, mediciner etc.
20. **Kontrollera att alla delar är oskadade.** Kontrollera, innan du startar verktyget, att alla skydd och övriga delar är oskadade och fyller sin funktion, att rörliga delar kan rotera fritt och är rätt inriktade, att inga rörliga delar kan fastna, att ingen defekt eller andra omständigheter som kan påverka arbetets utförande har uppstått. Ett skydd eller någon annan del som skadats ska repareras fackmässigt eller bytas ut. Skadade nätsladdar och strömbrytare ska alltid bytas ut av fackman. Använd aldrig verktyget om du inte kan stänga av eller starta det på ett betryggande sätt.
21. **Använd rekommenderade tillbehör.** Användning av ej rekommenderade tillbehör kan vålla olyckor eller risk för personskada.
22. **Reparationer av verktyget ska alltid utföras av fackman, med originalreservdelar.**
23. **Elverktyg bör anslutas till elnätet via en jordfelsbrytare för personskydd (PRCD).** Produkten får inte ändras eller användas till arbetsmoment som den inte är avsedd för. Kontrollera regelbundet att alla skruvar och muttrar är ordentligt åtdragna.

Särskilda säkerhetsföreskrifter för vedklyvar

- Vedklyven är endast avsedd för en användare i taget. Flera personer får inte arbeta vid vedklyven samtidigt.
- Vedklyven får endast användas på plant underlag som inte är halt.
- Se till att alla kvistar och annat som finns på vedstycket tas bort före klyvning.
- Spara bruksanvisningen, se till att den medföljer vedklyven vid ev. utlåning.
- Se till att klyvning sker i träets fiberriktning. Lägg aldrig vedstycket för att klyva det mot fiberriktningen.
- Läs vedklyvens varningsdekaler och se till att de är läsbara.
- Kontrollera att eluttaget har rätt spänning innan vedklyven ansluts (230 V).
- Försök aldrig att själv ändra tryckinställningen. Den är inställd på fabriken för att ge max tryckkraft på 6 ton.
- Felaktig inställning kan leda till försämrad funktion eller till att allvariga person- och maskinskador uppstår.
- Försök aldrig att klyva flera vedstycken samtidigt.
- Försök aldrig att rätta till ett lutande vedstycke med handen när kolven rör sig. Stäng av och rätta till vedstycket så att det står rakt.
- Försök aldrig att hålla i ett vedstycke när kolven rör sig.
- Om ett vedstycke fastnar och inte går att klyva, släpp båda manöverhandtagen om inte kolven orkar, släpp spakarna och låt kolven gå tillbaka, annars finns risk att motorn överhettas.
- Dra alltid ut nätsladdens stickpropp ur vägguttaget vid service och uppehåll i arbetet och se till att inga barn eller annan obehörig kan starta vedklyven.
- Kontrollera att vedklyvens skyddsanordningar fungerar och är rätt monterade före användning.
- Använd skyddsglasögon, hörselskydd och skyddsskor vid behov.
- Stå alltid så att du kan utföra alla arbetsmoment med god balans och håll manöverhandtagen med båda händerna.
- Håll händer och fingrar på säkert avstånd från tryckplatta och klyvkil. Använd, som alltid vid arbete med maskiner, ditt sunda förnuft och var försiktig när du arbetar.
- Se till att inte människor och djur uppehåller sig i närheten av vedklyven, vassa träflisor kan flyga omkring med stor kraft.
- Anslut vedklyven till ett vägguttag via en jordfelsbrytare.
- Använd aldrig vedklyven i regn eller extremt fuktig väderlek.
- Använd aldrig vedklyven om nätkabel, strömbrytare eller någon annan del är skadad. Defekt del ska bytas av fackman.
- Se till att den här bruksanvisningen alltid följer med produkten och att den förvaras så att den alltid är läsbar och lätt tillgänglig.
- Försäkra dig om att alla som använder produkten har läst och förstått hela den här bruksanvisningen.
- Var alltid uppmärksam och försiktig. Tänk efter innan du utför ett arbetsmoment så att du kan utföra det på ett säkert sätt. Använd aldrig produkten om du är trött, sjuk eller påverkad av droger/mediciner etc.

Övriga Säkerhetssymboler



Varning! Sträck dig inte för långt. Se till att du står stadigt med god balans hela tiden. Stapla aldrig vedstycken på sådant sätt att du måste sträcka dig för att nå. Använd endast händerna för att manövrera vedklyven. Använd aldrig andra kroppsdelar eller anordningar som utsätter dina händer för risken att skadas mellan klyvkniv och vedstycke. Var alltid uppmärksam på klyvknivens rörelse. Stapla aldrig vedstycken på varandra vid klyvning. Försök aldrig placera vedstycken på vedklyven när kolvstången är i rörelse. Håll undan händerna från alla rörliga delar.



Varning! Håll undan händerna när kolvstången går tillbaka efter klyvning. Vedklyven är konstruerad för att stanna först när kolvstången gått tillbaka helt. Håll händerna borta från sprickor som kan uppstå i vedstycket vid klyvning. Sprickor kan plötsligt slå igen och orsaka kroppsskada. Försök aldrig ta bort vedstycken som fastnat med händerna.



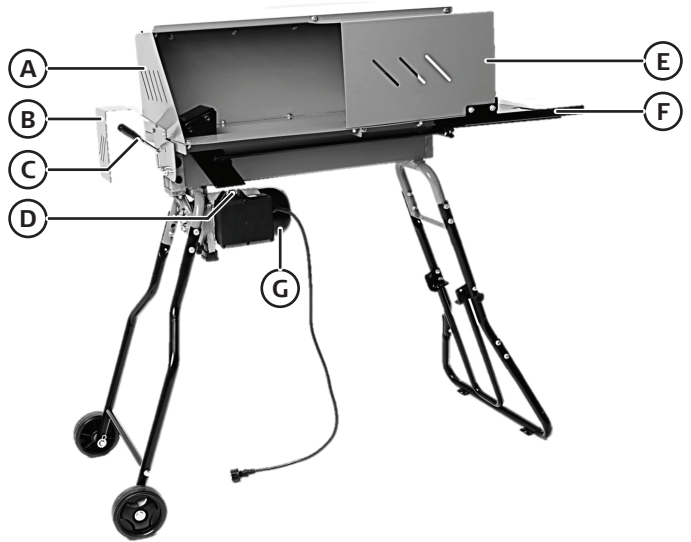
Tänk på miljön, hantera spillolja enligt lokala föreskrifter.



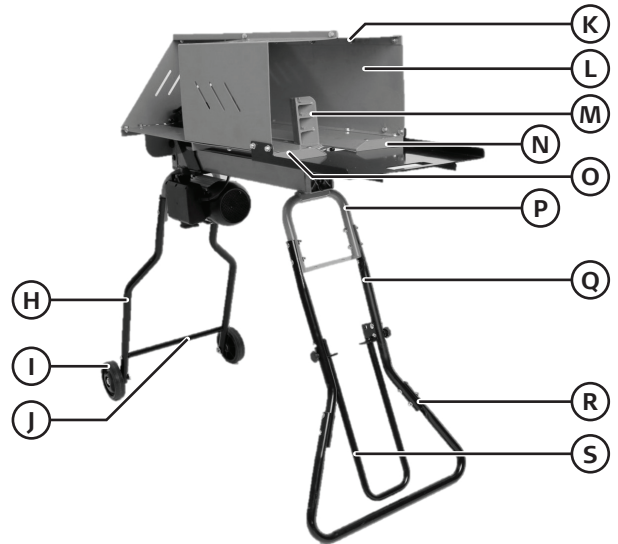
Kontrollera att vedklyven är oskadad och att inga skyddsanordningar saknas samt att dessa är korrekt monterade och fungerar. Använd aldrig vedklyven om någon av skyddsanordningarna är skadade eller saknas. Kontrollera oljenivån innan vedklyven startas.









Produktbeskrivning


- A Skyddsplåt bakgavel
- B Skyddsplåt för klyvreglage
- C Klyvreglage
- D Strömbrytare
- E Skyddsplåt manöversida
- F Avlastningsbord
- G Elmotor
- H Bakre stödben med hjul x 2



- I Hjul x 2
- J Stag
- K Skyddsplåt övre
- L Skyddsplåt baksida
- M Klyvkniv
- N Klyvbord vänster
- O Klyvbord höger
- P Vedklyv
- Q Främre stödben, överdel x 2
- R Främre stödben, underdel x 2
- S Handtag



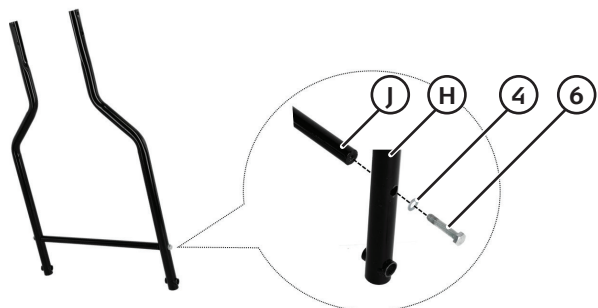
| | | | |
|---|---|------------------------|-------|
| ① |  | Bult M6 x 14 | 2 st |
| ② |  | Bricka M6 | 2 st |
| ③ |  | Mutter M6 | 2 st |
| ④ |  | Bricka M8 | 90 st |
| ⑤ |  | Självlåsande mutter M8 | 44 st |
| ⑥ |  | Bult M8 x 45 | 14 st |
| ⑦ |  | Bult M8 x 16 | 28 st |
| ⑧ |  | Vagnsbult M8 x 45 | 4 st |

| | | | |
|---|--|-------------------------------|------|
| ⑨ |  | Bricka 14 mm | 6 st |
| ⑩ |  | Vagnsbult M8 x 40 | 2 st |
| ⑪ |  | Låsvred | 2 st |
| ⑫ |  | Låssprint | 2 st |
| ⑬ |  | Hjulaxel | 2 st |
| ⑭ |  | Blocknycklar | 2 st |
| ⑮ |  | Reservpackning för oljesticka | 1 st |

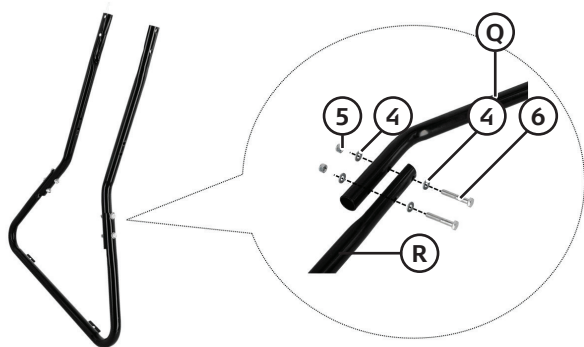
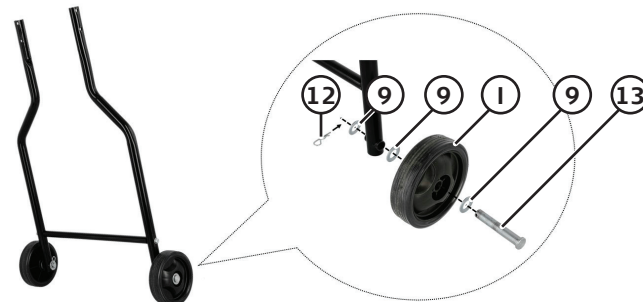
Montering

⚠ Viktigt!

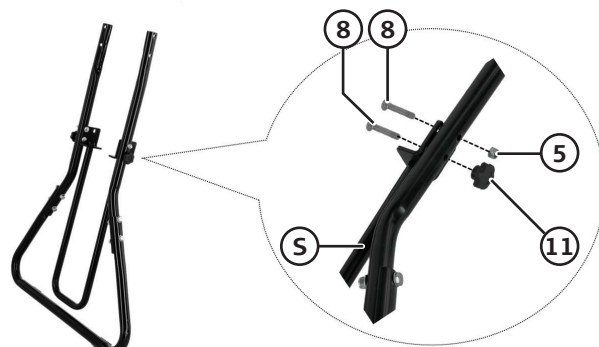
Se till att alltid ha en medhjälpare när du monterar vedklyven. Arbetet blir säkrare och enklare om två personer hjälps åt med monteringen. När du klyver ska du däremot alltid sköta vedklyvens reglage ensam. Två personer får aldrig sköta reglagen tillsammans.



1. Bakre stödben med hjul



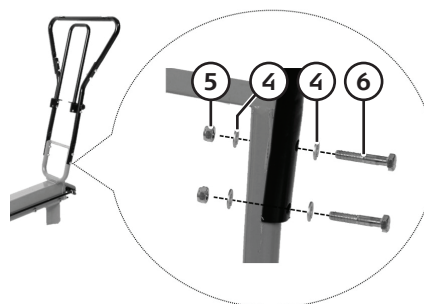
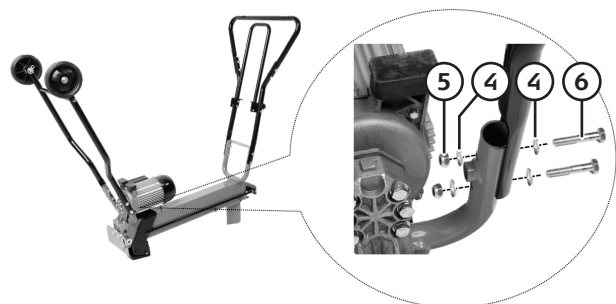
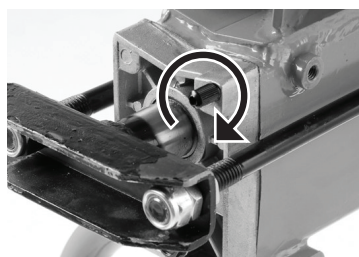
2. Främre stödben



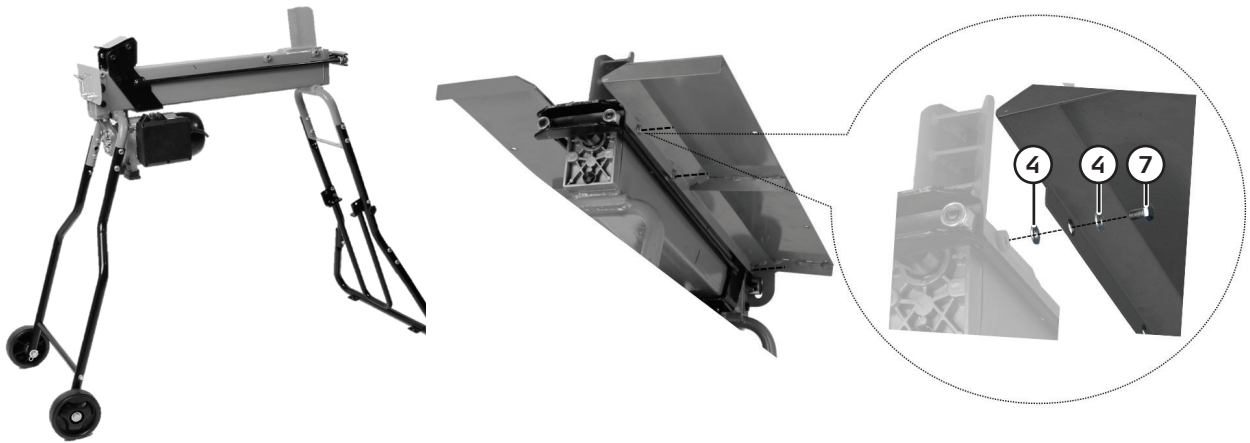
3. Handtag

4. Montera benen på vedklyven.

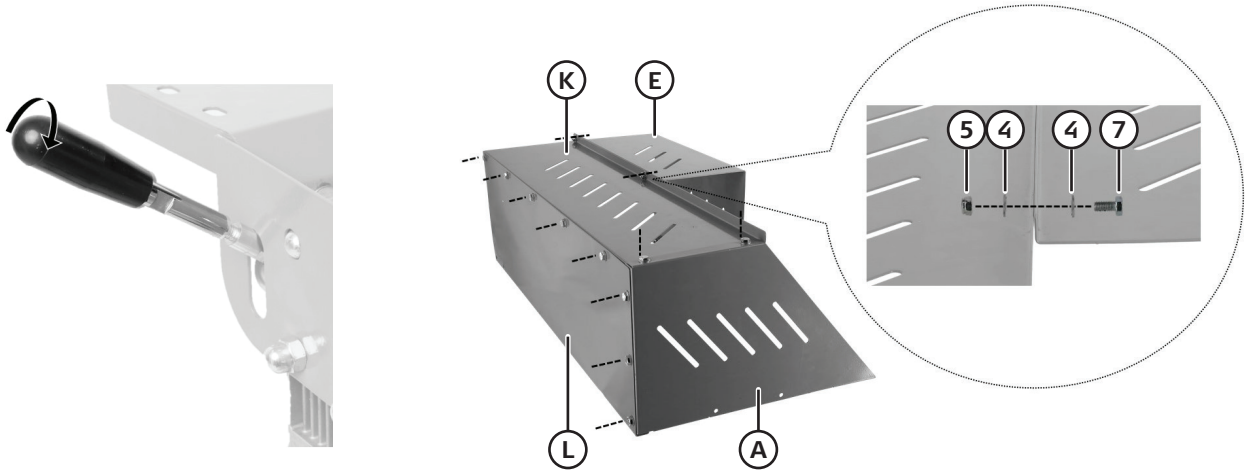
⚠ **Viktigt!** Kontrollera att luftskruven är åtdragen innan du vänder vedklyven. Detta för att förhindra att oljan rinner ut.



Vänd vedklyven upp och ner, skjut på och skruva fast benen.

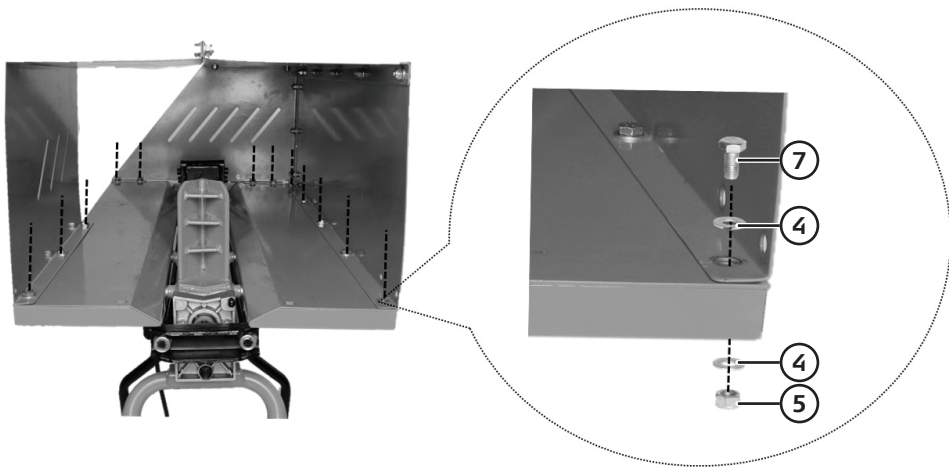


5. Klyvbord: Vänd tillbaka vedklyven så att den står på benen. Montera de båda klyvborden, vänster och höger.

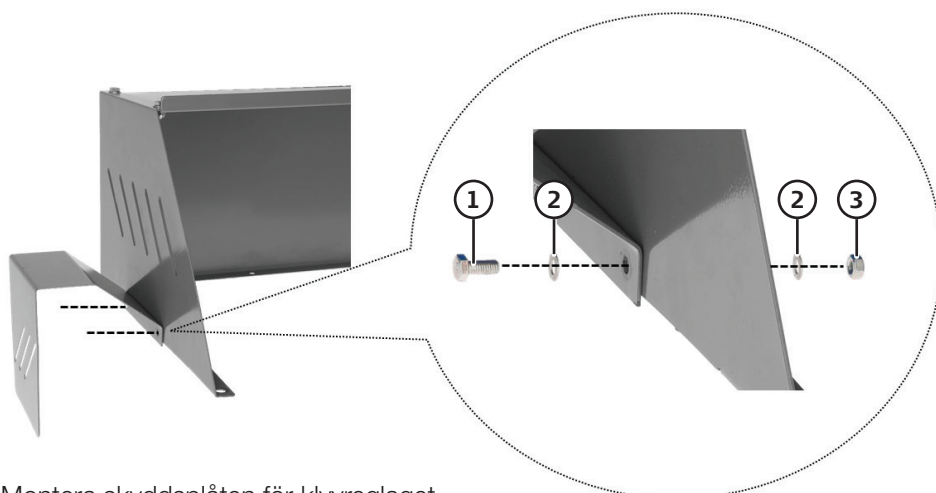


6. Montera klyvreglaget

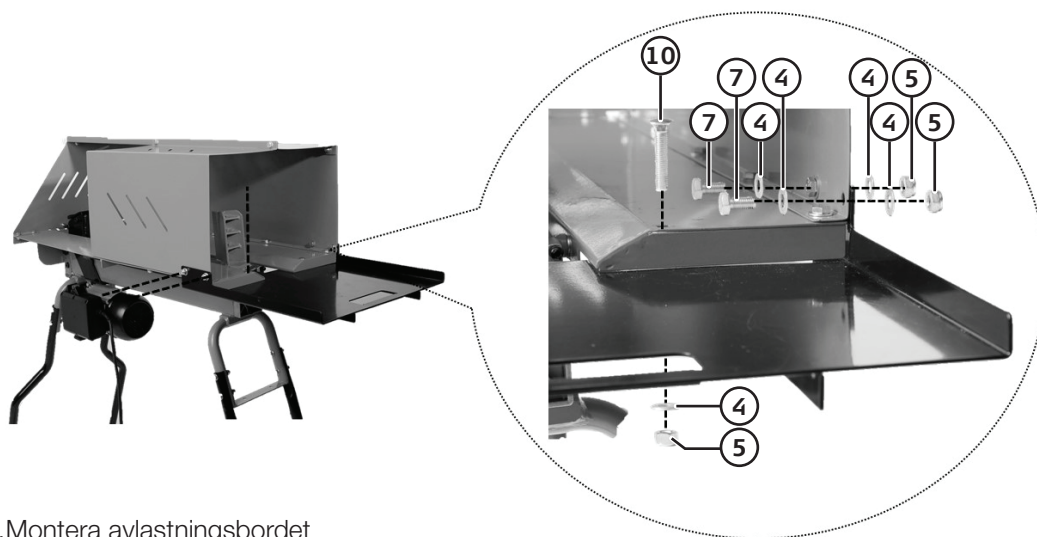
7. Skruva ihop skyddsplåtarna.



8. Montera skyddsplåten på vedklyven



9. Montera skyddsplåten för klyvreglaget

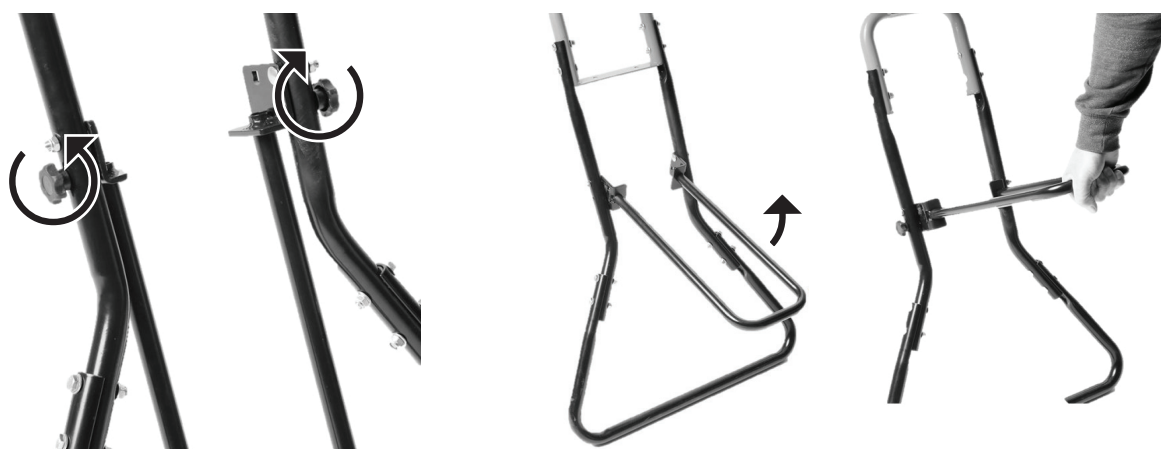


10. Montera avlastningsbordet

Användning

Handtag

1. Du behöver fälla upp handtaget för att på ett enkelt sätt kunna flytta vedklyven.



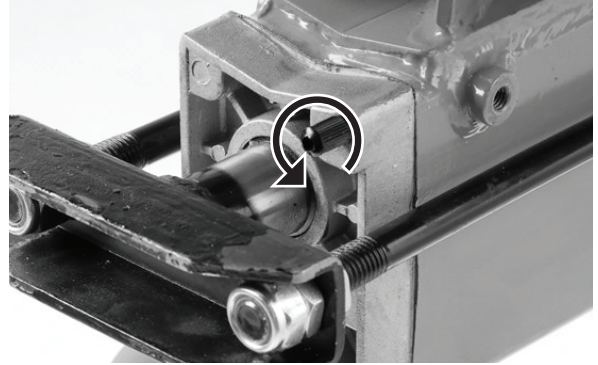
2. Lossa handtagets två låsvred och dra ut vagnsbultarna.

3. Vik upp handtaget och sätt tillbaka vagnsbulten i det nya hålet i handtaget och dra fast med låsvredet.

Förberedelser

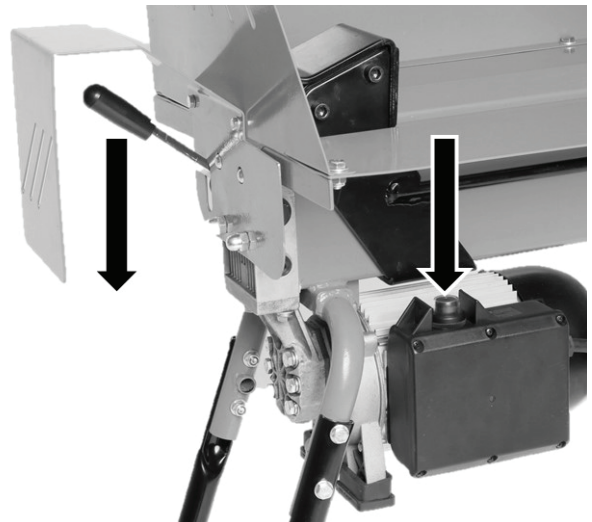
- Placera vedklyven så att den står stadigt på en plan yta.
- Kontrollera att nätkabeln och strömbrytaren är oskadade och se till att alla skruvar och muttrar är åtdragna.
- Anslut nätkabeln till ett jordat vägguttag. Vägguttaget bör vara säkrat med en jordfelsbrytare (RCD) på 30 mA. Tänk på att dra kabeln så att den inte kan skadas och så att du inte riskerar att snubbla över den.

△ Viktigt! Skruva ut luftskruven 3–4 varv så att en märkbar luftström kan märkas under drift.



Klyvning

- Placera alltid den minst kvistiga sidan av trästycket mot klyvkniven, klyv alltid i fiberriktningen.
- Placera trästycket så att det ligger så stabilt som möjligt mot klyvbordets sidor.
- Starta motorn genom att trycka in och hålla kvar strömbrytaren.
- Starta hydrauliken genom att trycka ner klyvreglaget.
- Tryckplattan på kolvstången pressar nu trästycket mot klyvkniven.
- Släpp klyvreglaget och strömbrytaren för att avsluta klyvningen, retur fjädrarna drar nu tillbaka kolvstången.



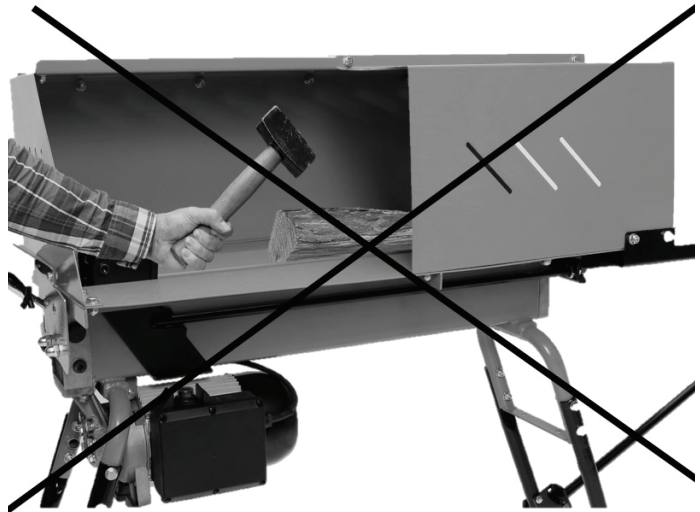
△ Viktigt! Om trästycket inte börjar klyvas inom 5 sek trots fullt tryck: släpp klyvreglaget och strömbrytaren och låt tryckplattan gå tillbaka, vrid trästycket 90° eller vänd det och prova igen.

Om trästycket fastnar

- Avsluta klyvningen.
- När tryckplattan har återgått till utgångsläget: lägg en träkil under det fastlåsta trästycket.
- Starta vedklyven och tryck in kilen med hjälp av tryckplattan.
- Upprepa med en större kil vid behov.



⚠ Viktigt! Försök aldrig att hugga loss ett trästycke som sitter i spänn, det kan splittras med hög kraft som kan leda till personskador eller skada på vedklyven.



Skötsel, underhåll och förvaring

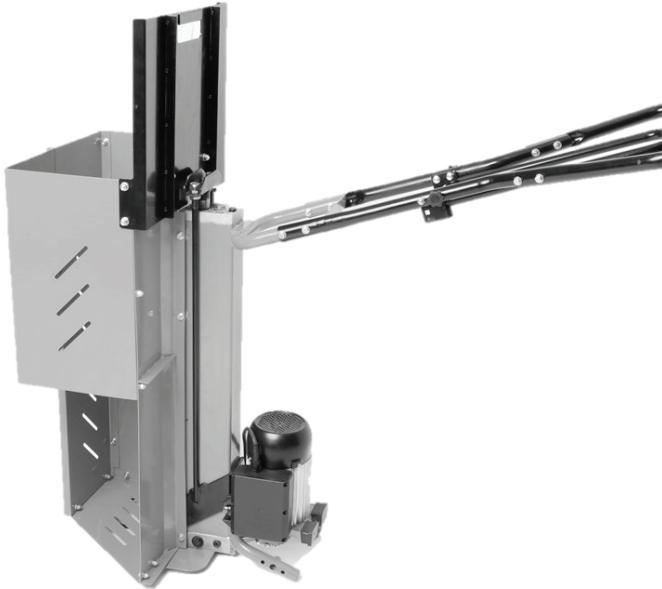
- Dra alltid ut stickproppen ur vägguttaget före rengöring och service.
- Rengör vedklyvens alla delar med en borste och torra trasor.
- Dra alltid ut stickproppen ur vägguttaget och förvara vedklyven i en torr, ren och ickekorrosiv miljö utom räckhåll för barn, när den inte används. Se till att lagringstemperaturen inte sjunker under -25° .
- Stäng alltid luftskruven vid transport, lagring och övrig hantering av vedklyven annars riskerar oljan att rinna ut. Vid längre förvaring med öppen luftskruv absorberar oljan den fukt som finns i luften vilket kan leda till att hydraulsystemet rostar invändigt.
- Håll klyvkniven vass genom att regelbundet fila bort eventuella grader på knivseggen med en fintandad metallfil.

Kontroll av oljenivå/oljebyte

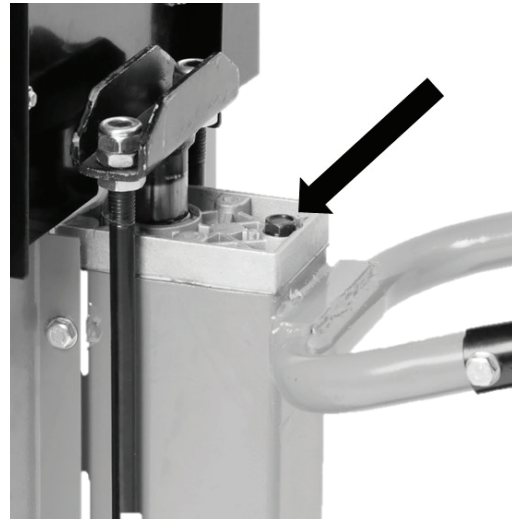
△ Viktigt Se till att alltid ha en medhjälpare vid kontroll av oljenivå/oljebyte. Arbetet blir säkrare och enklare om två personer hjälps åt.

Det första oljebytet bör ske efter 50 arbetstimmar och därefter var 250:e arbetstimme.

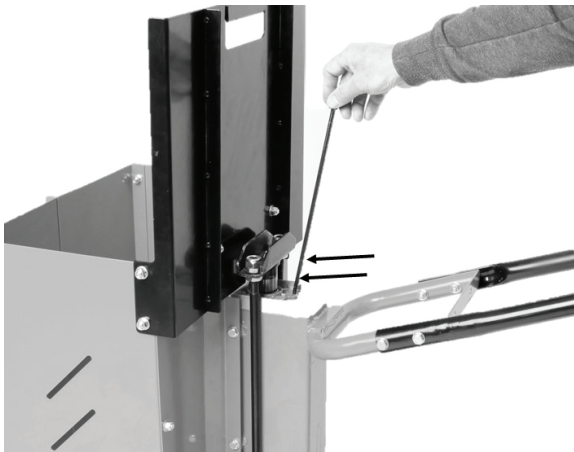
Kontroll av oljenivå



1. Demontera det bakre benet med hjulen och luta upp vedklyven så som bilden visar.



2. Se till att området runt oljestickan är rent och fritt från föroreningar.



3. Skruva ur oljestickan och torka av den.
Stick ner oljestickan så att den ligger an mot vedklyven men skruva inte i den. Dra upp stickan igen och kontrollera nivån. Nivån ska ligga mellan de två markeringarna på stickan.
4. Skruva i stickan igen. Dra inte åt för hårt, tätningen kan skadas.

Oljebyte

1. Följ steg 1 och 2 i avsnittet *Kontroll av oljenivå*.
2. Använd en oljesug och sug ut oljan. Lämna den förbrukade oljan på en miljöstation där den kan tas om hand på ett för miljön lämpligt sätt.
3. Fyll på med ny olja (hydraulolja 3,2 l).
4. Kontrollera nivån och skruva i stickan igen. Dra inte åt för hårt, tätningen kan skadas.

Felsökningsschema

| | |
|---|---|
| Klyvningen misslyckades. | <ul style="list-style-type: none">• Trästycket är felplacerat. Vänd eller rotera trästycket.• Trästyckets hårdhet eller diameter är för stor.• Klyvkniven är slö eller skadad. Vässa klyvkniven (se avsnittet <i>Skötsel, underhåll och förvaring</i>).• För låg oljenivå, kontrollera nivån (se avsnittet <i>Skötsel, underhåll och förvaring</i>). |
| Tryckplattan rör sig ryckigt med missljud och kraftiga vibrationer. | <ul style="list-style-type: none">• För låg oljenivå, kontrollera nivån (se avsnittet <i>Skötsel, underhåll och förvaring</i>). |
| Motorn startar inte. | <ul style="list-style-type: none">• Är stickproppen ordentligt ansluten till vägguttaget?• Finns det ström i vägguttaget? |

Avfallshantering

Denna symbol innebär att produkten inte får kastas tillsammans med annat hushållsavfall. Detta gäller inom hela EU. För att förebygga eventuell skada på miljö och hälsa, orsakad av felaktig avfallshantering, ska produkten lämnas till återvinning så att materialet kan tas omhand på ett ansvarsfullt sätt. När du lämnar produkten till återvinning, använd dig av de returhanterings-system som finns där du befinner dig eller kontakta inköpsstället. De kan se till att produkten tas om hand på ett för miljön tillfredställande sätt.



Specifikationer

| | |
|------------------------------|-------------------------------|
| Nätanslutning | 230 V AC, 50 Hz |
| Effekt | 2600 W S3 20% |
| Kapslingsklass | IP54 |
| Klyvkapacitet | Ø 50–250 mm, längd 150–520 mm |
| Rek. driftstemperatur | +5 °C till + 40 °C |
| Klyvkraft | 6,5 t |
| Hydrauloljemängd | 3,2 l |
| Mått | 1560 × 590 × 1330 mm |
| Vikt | 77 kg |

6,5T vedkløyver

Art.nr. 41-2650 Modell LS7000/520C-S

Les gjennom hele bruksanvisningen før produktet tas i bruk, og ta vare på den for fremtidig bruk. Vi tar forbehold om eventuelle feil i tekst og bilder, samt endringer av tekniske data. Ved tekniske problemer eller andre spørsmål, kontakt vårt kundesenter (se kontaktinformasjon på baksiden).

Advarsel!

Disse generelle forhåndsreglene skal alltid følges når du bruker dette produktet. Dette for å unngå brannfare, elektrisk støt og personskade.



Trekk alltid støpselet ut fra strømuttaket før reparasjon og justering av produktet!

Sikkerhetssymboler på produktet:



Advarsel! Fare for elektrisk støt.



Advarsel! Fare for klemskader. Vær forsiktig og hold fingre unna bevegelige deler under hele kløyvingen.



Advarsel! Fare for klemskader. Vær alltid oppmerksom på hvordan trykkplaten beveger seg.



Advarsel! Gjenstander som slenges ut fra produktet kan forårsake personskader og skade på andre gjenstander. Hold tilskuere, barn og husdyr på sikker avstand fra arbeidsplassen. Bruk ikke medhjelpere for å løsne på vedstykker som har festet seg. Hvis personer under 18 år bruker kløyveren, må de kunne håndtere den på en sikker måte og de må forstå hvilke farer som er forbundet med bruken. Personer under 18 år skal være under tilsyn av en voksen person ved bruk av kløyveren.



lufteskruen



Les bruksanvisningen, og sørg for at du forstår den, før du bruker produktet.



Bruk vernebriller og hørselsvern.



Bruk vernehansker.



Bruk alltid sklisikre vernesko.



Skru av vedkløyveren og trekk ut støpselet fra strømuttaket når maskinen ikke er i bruk. Dette gjelder også når det skal foretas service eller rengjøring av maskinen.



Advarsel! Ingen sikkerhetsmekanismer må på noe vis modifiseres eller fjernes.



Advarsel! Vær **alltid alene** ved vedkløyveren. Maskinen skal ikke under noen omstendigheter manøvreres eller brukes av flere personer samtidig.



Advarsel! Produktet må ikke brukes i regnvær eller fuktig miljø.

Generelle sikkerhetstiltak

1. **Hold arbeidsplassen ren!** Uorden på gulv, arbeidsbord etc. kan forårsake ulykker.
2. **Bruk ikke maskinen i risikofylte miljøer.** Elektriske maskiner skal ikke brukes i fuktige eller våte innemiljøer eller utendørs når det regner. Sørg for god arbeidsbelysning. Arbeidsoperasjoner som fører til mye støv krever god ventilasjon. Bruk aldri elektriske maskiner/verktøy der de kan forårsake brann eller eksplosjon.
3. **Unngå elektrisk støt.** Unngå berøring av jodede gjenstander som vannledninger, varmeovner, komfyrer etc. samtidig som du bruker elektriske maskiner/-verktøy.
4. **Hold barn og andre tilskuere på avstand.** Alle barn og andre tilskuere bør holdes på sikker avstand fra elektriske maskiner/verktøy og strømkabler på arbeidsområdet.
5. **Oppbevar maskinene utilgjengelig for barn.** Oppbevar elektriske maskiner/verktøy innlåst og utenfor barns rekkevidde.
6. **Maskinen skal ikke presses.** Den gjør jobben bedre og sikrere med riktig matningshastighet.
7. **Bruk riktig verktøy.** Press ikke verktøyet eller tilbehøret til å gjøre en jobb den ikke er beregnet til.
8. **Bruk fornuftige klær.** Bruk fornuftige klær, og ingen løstsittende ting, som smykker etc. som kan feste seg i roterende deler. Sklisikre sko anbefales. Bruk hårnett eller tilsvarende, hvis du har langt hår.
9. **Benytt alltid vernebriller.** Bruk alltid vernebriller, vanlige briller beskytter ikke godt nok. Bruk også støvmaske eller vernemaske ved støvende arbeider.
10. **Bruk avsug.** Bruk utsugningsutstyr til å fjerne støv og spon dersom maskinen er beregnet for slikt utstyr. Påse at utstyret brukes riktig og at det tømmes etter behov.
11. **Påse at ikke strømledningen skades.** Bær aldri maskinen i strømledningen. Trekk i selve støpselet og ikke i ledningen når maskinen/verktøyet skal kobles fra strømmettet. Påse at strømledningen ikke kommer i kontakt med varme, olje, skarpe kanter eller annet som kan skade den.
12. **Fest emnet ordentlig.** Bruk tvinger eller skrustikker der det er mulig. Da er begge hendene er frie til å betjene verktøyet.
13. **Strekk deg ikke for langt.** Påse at du hele tiden har god balanse i kroppen og står stødig.
14. **Vedlikehold verktøyet.** Påse at det er rent og hold knivseggen skarp, for optimal effekt og godt resultat. Følg manualens anbefalinger for smøring, oljeskift, skifte av tilbehør etc. Kontroller strømledningen regelmessig. Hvis den er skadet skal den byttes av en kvalifisert elektriker. Sjekk alle skjøteledninger regelmessig så de ikke er skadet. Påse at maskinens/verktøyets håndtak og brytere er tørre, rene og helt fri for olje, fett etc.
15. **Skru av strømmen.** Trekk ut støpselet og trykk inn nødstoppp før service, og ved bytte av tilbehør som høvelstål, bor, skjær, slipebånd eller blad.
16. **Fjern alle nøkler og serviceverktøy.** Gjør det til en vane å kontrollere at alle nøkler og serviceverktøy er fjernet fra maskinen før strømmen kobles til.

17. **Unngå uønsket oppstart.** Bær ikke verktøyet med en finger på strømbryteren hvis ledningen er koblet til strømmuttaket. Påse at strømbryteren står på **OFF** når støpselet plugges til strømmettet.
18. **Bruk riktige skjøteledninger.** Dersom man benytter skjøteledning utendørs, skal den være godkjent for utendørs bruk. Bruk skjøteledninger med tilstrekkelig lengde, rull ut hele ledningen.
19. **Bruk sunn fornuft, og vær forsiktig.** Tenk før arbeidsoperasjon utføres, slik at den utføres sikrest mulig. Bruk av maskinen/verktøyet må ikke forekomme når man er sliten, trett, påvirket av medisiner, alkohol etc.
20. **Kontroller at alle deler er uskadet.** Før maskinen startes må alle beskyttelsesmekanismer og øvrige deler kontrolleres. De skal være uten skader og fylle sine funksjoner. Bevegelige deler skal kunne rotere fritt og være riktig justert. Ingen bevegelige deler skal kunne hekte seg fast og maskinen/utstyret skal ikke ha defekter etc. som kan påvirke utførelsen av jobben. Beskyttelsesmekanismer og liknende som er skadet må repareres fagmessig eller skiftes ut. Strømledninger og strømbrytere som er skadet skal alltid skiftes ut av kyndig fagperson. Bruk aldri verktøyet hvis du ikke kan stoppe eller starte det på en betryggende og sikker måte.
21. **Bruk anbefalt tilbehør.** Bruk av tilbehør som ikke er anbefalt av produsent kan føre til ulykker eller personskader.
22. **Reparasjoner av produktet skal alltid utføres av fagpersoner og med originale reservedeler.**
23. **EI-verktøy bør kobles til strømmettet via en jordfeilbryter.** Produktet må ikke endres eller brukes til arbeidssoppgaver det ikke er beregnet for! Kontroller regelmessig at alle skruer og mutre er godt festet.

Spesielle sikkerhetsregler for vedkløyver

- Maskinen må betjenes av én bruker av gangen. Flere personer må ikke jobbe ved maskinen samtidig.
- Maskinen skal kun brukes på jevnt og flatt underlag.
- Påse at alle kvister og annet som er på vedkubben (f.eks. spikere) fjernes før kløyving.
- Ta vare på bruksanvisningen og se til at den følger maskinen når maskinen lånes bort etc.
- Pass på at kløyvingen følger treets fiberretning. Legg aldri vedkubben slik at den deles mot fiberretningen.
- Les maskinens advarsler og påse at de er lesbare.
- Kontroller at strømmuttaket har riktig spenning før vedkløyveren kobles til (230 V).
- Trykkinnstillingen må ikke endres av ufaglærte. Den er innstilt fra fabrikken for å gi maks. trykkraft, som er 6 tonn.
- Feil innstillinger kan føre til dårlig funksjon eller alvorlige person- og/eller maskinskader.
- Forsøk aldri å dele flere vedkubber samtidig.
- Forsøk aldri å rette opp en kubbe som er bøyd med hånden når maskindelene er i bevegelse. Skru av og rett opp kubben slik at den står rett.
- Man må ikke holde i vedkubben mens maskindelene er i bevegelse.
- Hvis et emne setter seg fast og ikke kan klyves må man slippe begge manøvreringshåndtakene. Slipp spakene og la maskindelene gå tilbake så motoren ikke blir overopphetet.
- Trekk alltid ut støpselet ved service og opphold i jobbingen, og påse at ingen barn eller andre uvedkommende kan starte vedkløyveren.
- Kontroller at maskinens verneanordninger fungerer og at de er riktig montert, før maskinen tas i bruk.
- Bruk vernebriller, hørselsvern og vernesko ved behov.
- Stå alltid slik at du kan utføre alle arbeidsoperasjoner med god balanse i kroppen og at du kan holde manøvreringshåndtakene med begge hendene.
- Hold hender/fingre på sikker avstand fra trykkplate og kløyvekilen. Bruk sund fornuft og vær forsiktig når du jobber med maskinen.
- Pass på at ingen uvedkommende mennesker eller dyr oppholder seg i nærheten av maskinen. Spisse treflisser kan fyke omkring i stor fart og føre til store skader.
- Vedkløyveren skal kobles til strømmen via en jordfeilsbryter.
- Bruk ikke vedkløyveren i regn eller ekstremt fuktig vær.
- Bruk ikke maskinen dersom støpselet, strømledningen eller andre deler er skadet. Defekte deler må skiftes av fagpersoner.

Øvrige sikkerhetssymboler



Advarsel! Strekk deg ikke for langt. Påse at du står stødig og har god balanse i kroppen under hele arbeidsoperasjonen. Emnene på ikke stables slik at man må strekke seg langt for å nå dem. Hendene skal kun brukes til å manøvrere vedkløyveren. Benytt aldri andre kroppsdeler eller anordninger for å frigjøre hendene slik at de kan komme i kontakt med kløyvekniven eller vedstykket. Vær alltid varsom og følg med på kløyverens bevegelser. Vedstykkene må ikke stables under kløyving. Legg aldri ved på kløyveren mens stempelstangen er i bevegelse. Hold fingrene unna roterende deler.



Advarsel! Hold hendene unna når stempelstangen går tilbake etter kløyving. Vedkløyveren er konstruert slik at den stopper først når stempelstangen er trukket helt tilbake. Hold fingrene unna sprekker som kan oppstå på treverket under kløyving. Sprekkene kan plutselig klappe sammen igjen og forårsake personskader. Ved som har satt seg fast må ikke løsnes med hendene.



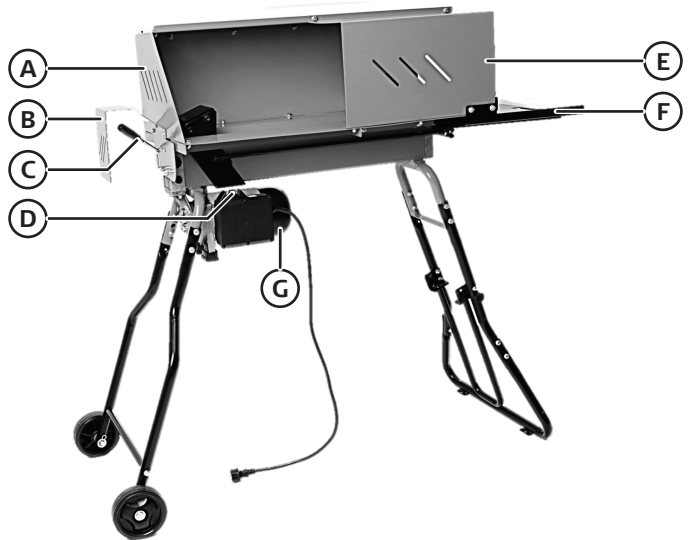
Tenk på miljøet, og følg lokale forskrifter når du behandler spillolje.



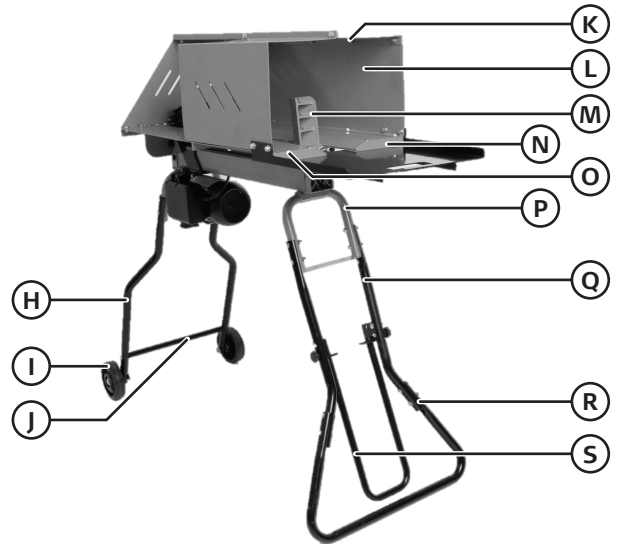
Kontroller at vedkløyveren er uskadd og at alle beskyttelsesanordninger er på plass og riktig montert og at de fungerer. Vedkløyveren må ikke brukes hvis noe av verneutstyret er skadet eller mangler. Sjekk oljenivået før hver gang vedkløyveren tas i bruk.

Produktbeskrivelse

- A Beskyttelsesdeksel bakgavl
- B Beskyttelsesdeksel for kløyvespak
- C Kløyvespak
- D Strømbryter
- E Beskyttelsesdeksel manøvreringside
- F Avlastningsbord
- G Motor



- H Bakre støtteben med hjul x 2
- I Hjul x 2
- J Stag
- K Beskyttelsesdeksel overside
- L Beskyttelsesdeksel bakside
- M Kløyvekniv
- N Kløyvebord venstre
- O Kløyvebord høyre
- P Kløyver
- Q Fremre støtteben, overdel x 2
- R Fremre støtteben, underdel x 2
- S Håndtak



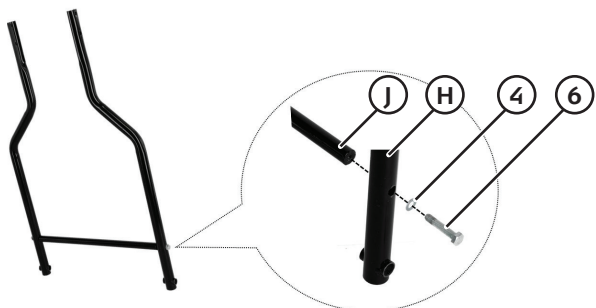
| | | | |
|---|--|------------------|---------|
| ① | | Bolt M6 x 14 | 2 stk. |
| ② | | Bricka M6 | 2 stk. |
| ③ | | Mutter M6 | 2 stk. |
| ④ | | Skive M8 | 90 stk. |
| ⑤ | | Låsemutter M8 | 44 stk. |
| ⑥ | | Bolt M8 x 45 | 14 stk. |
| ⑦ | | Bolt M8 x 16 | 28 stk. |
| ⑧ | | Vognbolt M8 x 45 | 4 stk. |

| | | | |
|---|--|-----------------------------------|--------|
| ⑨ | | Skive 14 | 6 stk. |
| ⑩ | | Vognbolt M8 x 40 | 2 stk. |
| ⑪ | | Låseratt | 2 stk. |
| ⑫ | | Låsesplint | 2 stk. |
| ⑬ | | Hjulaksel | 2 stk. |
| ⑭ | | Nøkler | 2 stk. |
| ⑮ | | Reservepakning for oljepeilestokk | 1 stk. |

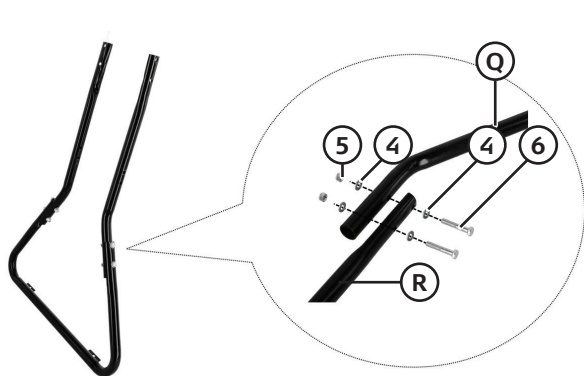
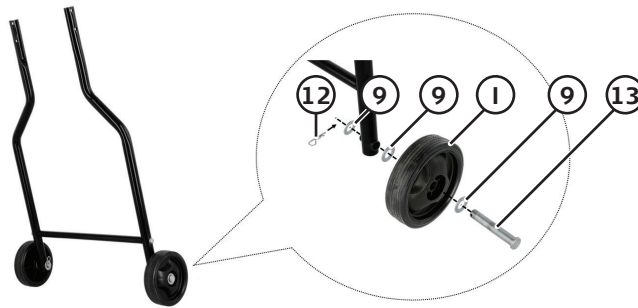
Montering



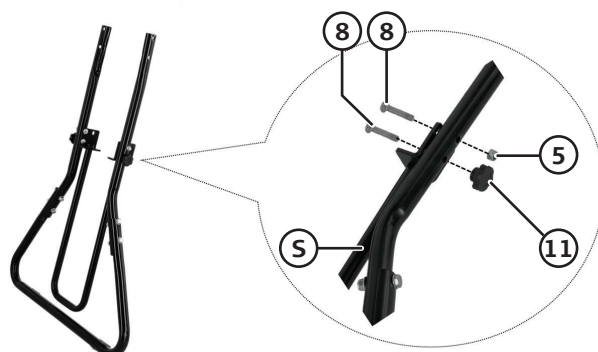
Sørg for å ha noen som kan hjelpe deg når vedkløyveren skal monteres. Jobben blir tryggere og enklere når to personer samarbeider om monteringen. Når du bruker produktet skal du derimot alltid være alene om å kontrollere produktet. Man skal aldri dele på jobben med å kontrollere kløyvingen.



1. Bakre støtteben med hjul




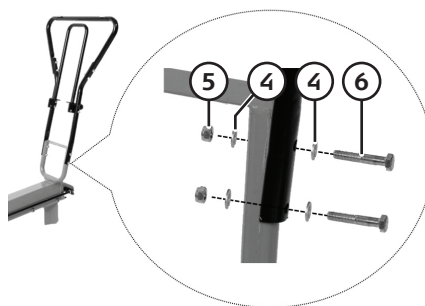
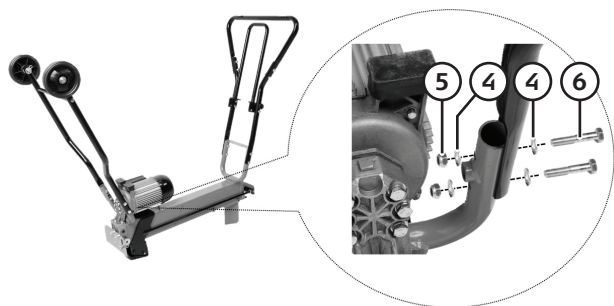
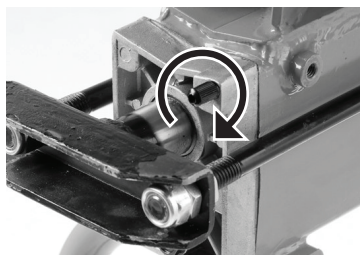
2. Fremre støtteben



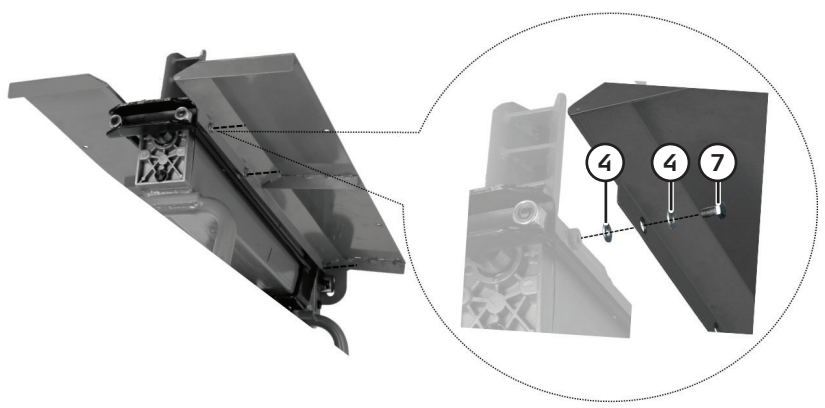
3. Håndtak

4. Monter bena på vedkløyveren.

 **Viktig!** Kontroller at lufteskruen er strammet før du vender vedkløyveren. Dette for å forhindre at oljen renner ut.

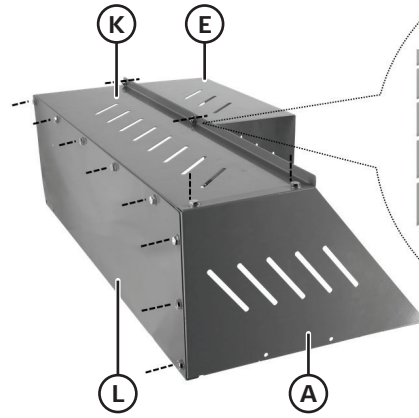


Snu vedkløyveren opp ned, sett på og skru fast bena.



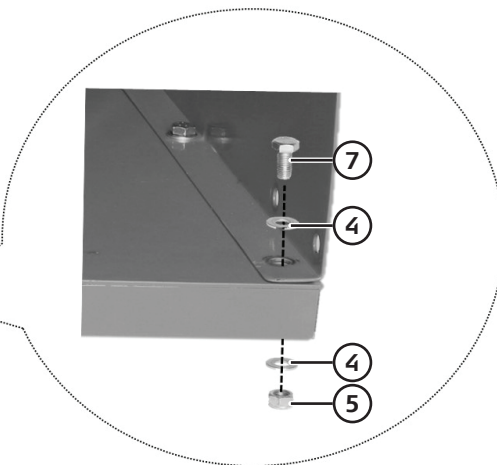
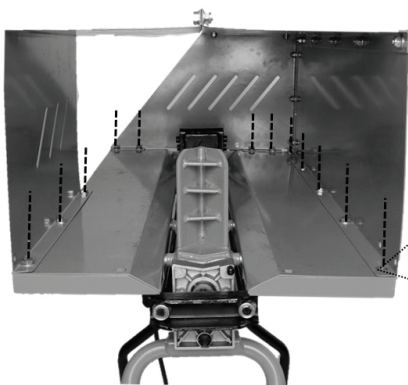
1. Kløyvebord

Sett kløyveren riktig vei, slik at den står på bena sine. Monter de to kløyvebordene, venstre og høyre.

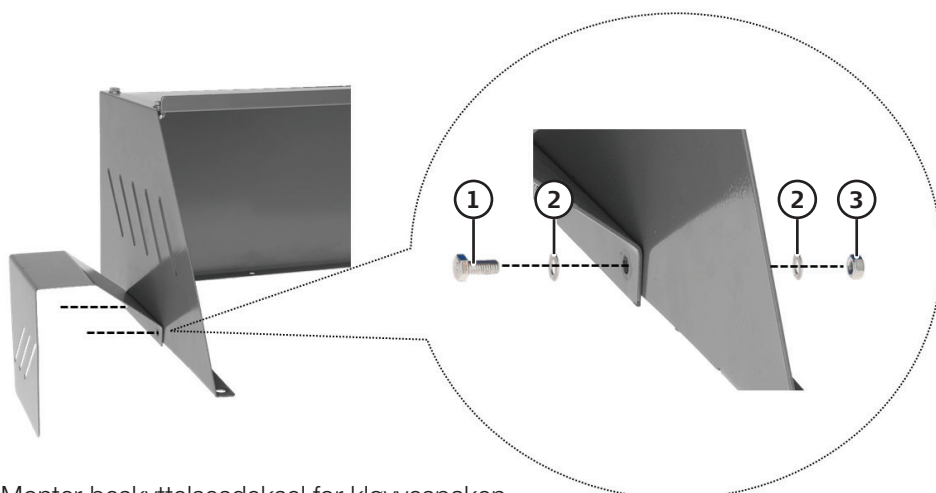


2. Kløyvespak

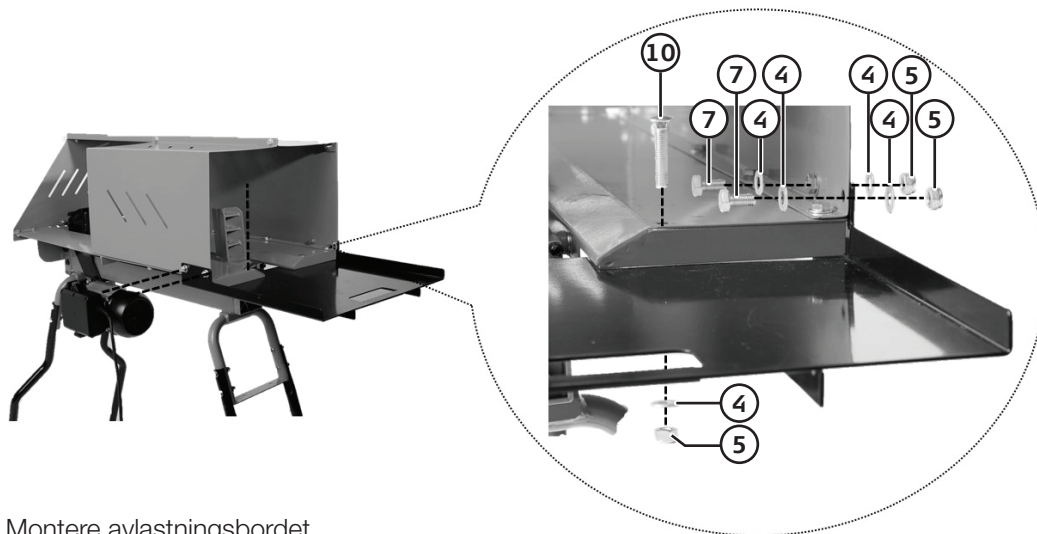
3. Beskyttelsesdeksel



4. Monter beskyttelsesdekslet på vedkløyveren.



5. Monter beskyttelsesdeksel for kløyvespaken

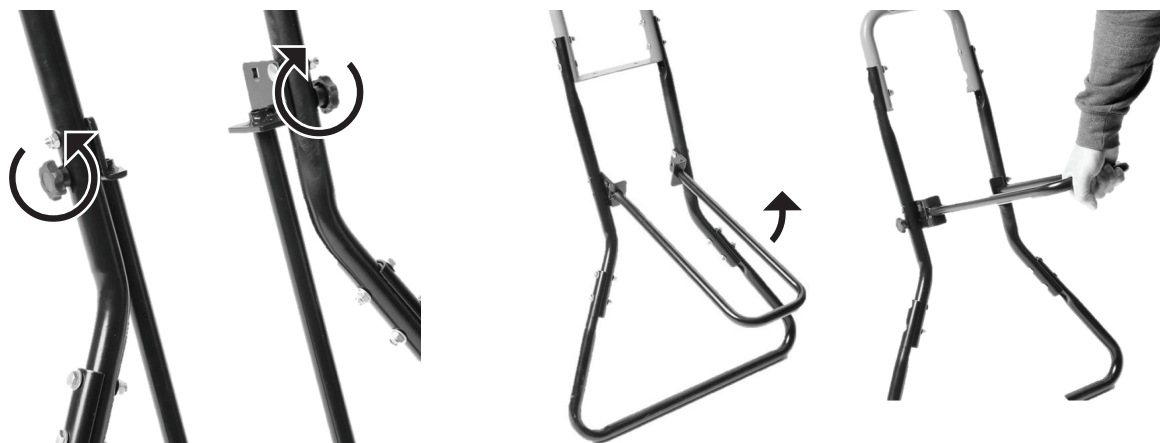


6. Montere avlastningsbordet

Bruk

Håndtak

1. For enkelt å kunne flytte vedkløyveren, feller du opp håndtaket.



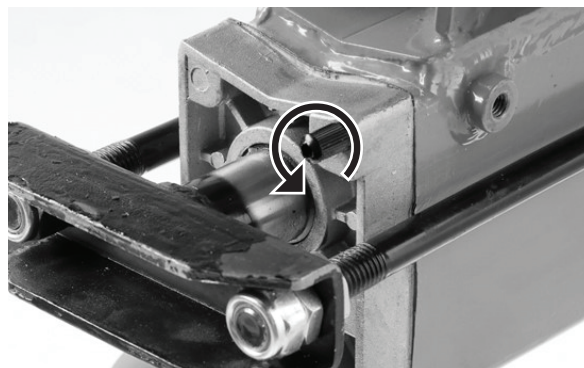
2. Løsne håndtakets to låseratt og trekk ut vognboltene.

3. Fold håndtaket opp og sett vognboltene i de andre hullene i håndtaket og stram låserattene.

Forberedelser

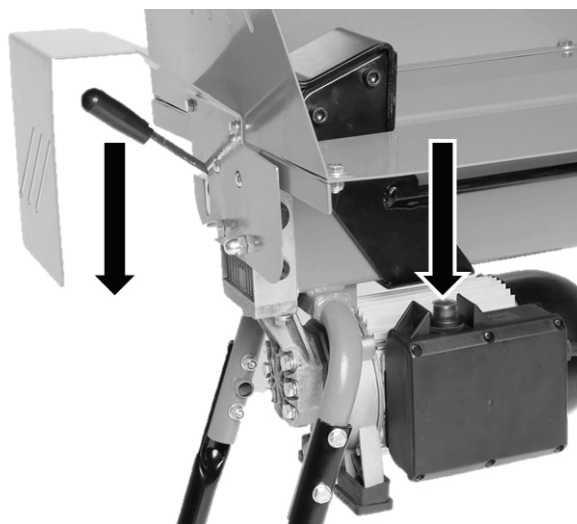
- Plasser kløyveren slik at det står stødig og på et plant underlag.
- Kontroller at strømkabelen og strømbryteren er uten skader og påse at alle skruer og muttere er strammet skikkelig.
- Støpselet kobles til et jordet strømuttak. Strømuttaket bør være sikret med en jordfeilbryter (RCD) på 30 mA. Vær påpasselig med hvordan du plasserer kabelen, slik at den ikke skades og du ikke risikerer å snuble i den.


 **Viktig** Løsne lufteskruen ved å skru den ut 3–4 omdreininger, slik at en merkbar luftstrøm merkes når kløyveren er i bruk.



Kløyving

- Plasser alltid trekubben slik at siden med minst kvist ligger mot kløyverkniven. Man må alltid kløyve i fiberretningen.
- Plasser arbeidsemnet slik at det ligger så stabilt som mulig mot kløyvebordets sider.
- Start motoren ved å trykke og holde inn strømbryteren.
- Start hudraulikken ved å trekke kløyvespaken ned.
- Stempelstangens trykkplate presser nå trestykket mot kløyvekniven.
- Slipp kløyvespaken og strømbryteren for å avslutte kløyvingen. Returfjærene trekker nå stempelstangen tilbake.




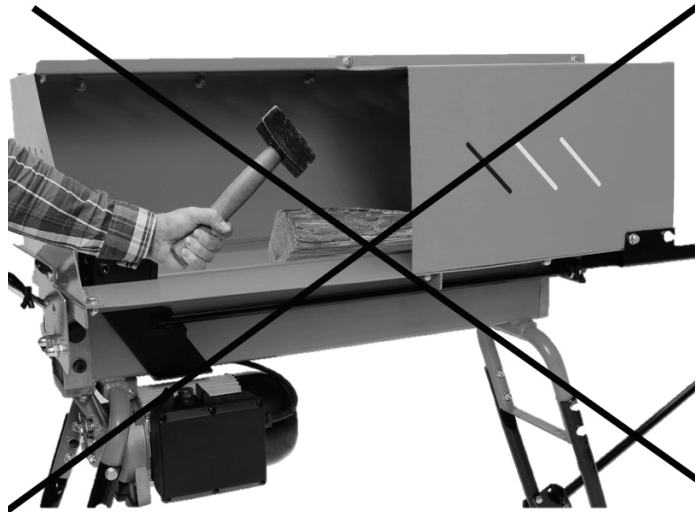
 **Viktig!** Hvis ikke kløyvingen av trestykket starter innen 5 sekunder tross fullt trykk: slipp kløyvespaken og strømbryteren og la trykkplaten gå tilbake. Vri trestykket 90° eller snu det og prøv på nytt.

Hvis trekubben setter seg fast

- Avslutt kløyvingen.
- Når trykkplaten har gått tilbake til utgangsposisjonen: legg en trekile under det fastlåste treemnet.
- Start vedkløyveren og trykk kilen inn med hjelp av trykkplaten.
- Gjenta prosessen med en større kile dersom det er behov for det.




 **Viktig!** Forsøk aldri å hugge løs et treemne som sitter i spenn. Det kan splintres med stor kraft, og føre til personskade Bolt skade på selve kløyveren.



Vedlikehold og oppbevaring

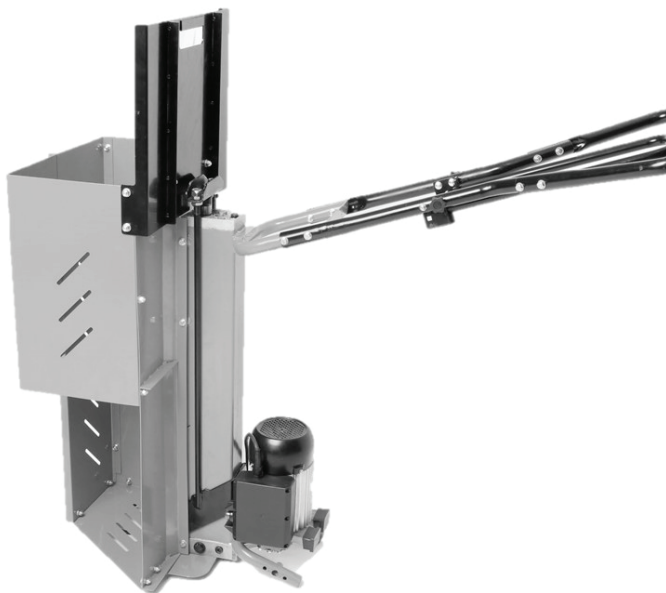
- Trekk stikkkontakten ut fra strømuttaket før rengjøring og service.
- Rengjør alle delene på vedkløyveren med en børste og tørre kluter.
- Trekk alltid ut støpselet fra strømuttaket og oppbevar vedkløyveren i et tørt, rent og ikke-korroderende miljø utenfor barns rekkevidde når den ikke er i bruk. Sørg for at temperaturen der den oppbevares ikke synker til under $-25\text{ }^{\circ}\text{C}$.
- Steng alltid lufteskruen ved transport, lagring og øvrig håndtering av vedkløyveren, slik at oljen ikke risikerer å renne ut. Ved oppbevaring over tid med åpen lufteskruer vil oljen trekke til seg fuktighet fra luften, noe som kan føre til at hydraulikksystemet rustner innvendig.
- Kniven holdes skarp ved at du regelmessig filer bort eventuelle grader på eggen med en fintannet metallfil.

Kontroll av oljenivå/oljeskift

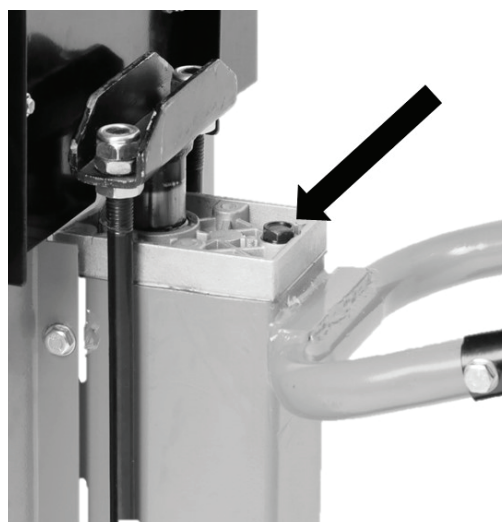
 **Viktig !** Sørg for at du alltid har noen til å hjelpe deg ved kontroll av oljenivå og oljebytte. Jobben blir tryggere og enklere når to personer samarbeider.

Det første oljeskiftet bør gjøres etter 50 arbeidstimer og deretter ved hver 250. arbeidstime.

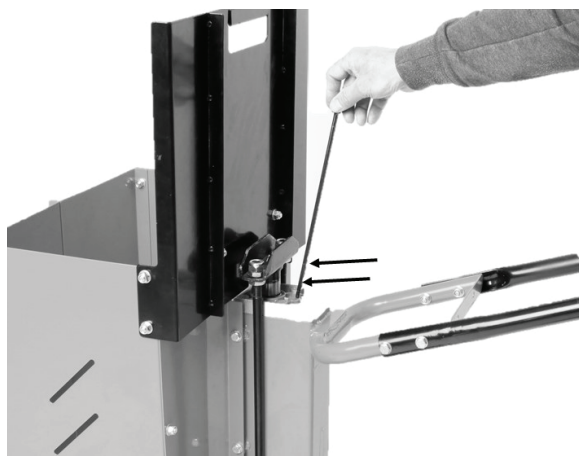
Kontroll av oljenivået



1. Demonter det bakre benet med hjul og løft kløyveren slik bildet viser.



2. Påse at området rundt peilepinnen er rent og fritt for støv og skitt.



3. Skru ut peilepinnen og tørk av den.
Stikk peilepinnen ned igjen, men ikke skru den fast. Trekk den opp igjen og kontroller nivået.
Oljenivået skal ligge mellom de to markeringene på pinnen.
4. Sett den tilbake og skru den fast. Ikke dra til for hardt. Det kan skade pakningen.

Oljeskift

1. Følg trinn 1 og 2 i avsnittet *Kontroll av oljenivået*.
2. Bruk en oljeskiftpumpe/oljesuger og sug ut oljen. Lever inn den gamle oljen på en miljøstasjon der den kan tas hånd om på en forskriftsmessig måte.
3. Fyll på med ny olje (hydraulikkolje 3,2 l).
4. Kontroller nivået og skru tilbake peilepinnen. Ikke dra til for hardt. Det kan skade pakningen.

Feilsøkingsskjema

| | |
|--|---|
| Kløyvingen var mislykket. | <ul style="list-style-type: none">• Treemnet er feilplassert. Vend eller roter på det.• Treemnets hardhet eller diameter er for stor.• Kniven er sløvt eller skadet. Slip kløyvekniven (se avsnittet <i>Vedlikehold og oppbevaring</i>).• For lavt oljenivå, kontroller nivået (se avsnittet <i>Stell og vedlikehold</i>). |
| Trykkplaten beveger seg i rykk og napp eller med ulyder og kraftige vibrasjoner: | <ul style="list-style-type: none">• For lavt oljenivå, kontroller nivået (se avsnittet <i>Vedlikehold og oppbevaring</i>). |
| Motoren starter ikke. | <ul style="list-style-type: none">• Er støpselet ordentlig tilkoblet stikkkontakten?• Er det strøm i stikkkontakten? |

Avfallshåndtering

Dette symbolet betyr at produktet ikke må kastes sammen med øvrig husholdningsavfall. Dette gjelder i hele EØS. For å forebygge eventuelle skader på helse og miljø som følge av feil avfallshåndtering skal produktet leveres til gjenvinning, slik at materialet blir tatt hånd om på en ansvarsfull måte. Når produktet skal kasseres, benytt eksisterende systemer for returhåndtering eller kontakt forhandler. De vil ta hånd om produktet på en miljømessig forsvarlig måte.



Spesifikasjoner

| | |
|-----------------------|--------------------------------|
| Nettspenning | 230 V AC, 50 Hz |
| Effekt | 2600 W S3 20% |
| Kapslingsklasse | IP54 |
| Kløyvekapasitet | Ø 50–250 mm, lengde 150–520 mm |
| Anb. driftstemperatur | +5 °C til + 40 °C |
| Kløyvekraft | 6,5 tonn |
| Mengde hydraulikkolje | 3,2 l |
| Mål | 1560 × 590 × 1330 mm |
| Vekt | 77 kg |

Halkomakone 6,5T

Tuotenumero 41-2650 Malli LS7000/520C-S

Lue koko käyttöohje ja säästä se tulevaa käyttöä varten. Pidätämme oikeuden teknisten tietojen muutoksiin. Emme vastaa mahdollisista teksti- tai kuvavirheistä. Jos tuotteeseen tulee teknisiä ongelmia, ota yhteys myymälään tai asiakaspalveluun (yhteystiedot käyttöohjeen lopussa).

Varoitus!

Noudata aina yleisiä turvallisuusohjeita, kun käytät laitetta.
Näin vähennät tulipalo-, sähköisku- ja loukkaantumisvaaraa.



Irrota pistoke pistorasiasta ennen laitteen huoltoa ja säätöä!

Tuotteen turvallisuussymbolit



Varoitus! Sähköiskuvaara.



Varoitus! Puristumisvaara. Pidä kädet loitolla liikkuvista osista halkaisun aikana.



Varoitus! Puristumisvaara. Noudata tarkkaavaisuutta vastinlevyn liikuessa.



Varoitus! Laitteen lennättämät esineet saattavat aiheuttaa henkilö- ja omaisuusvahinkoja. Pidä sivulliset, lapset ja eläimet riittävän kaukana työpisteestä. Älä pyydä juuttuneen puukappaleen irrottamiseen apua, vaan irrota puukappale itse. Alle 18-vuotiaat saavat käyttää laitetta, jos he pystyvät käyttämään sitä turvallisesti ja ymmärtävät laitteen käytön mahdolliset vaarat. Aikuisen tulee valvoa laitteen käyttöä, jos laitetta käyttävät alle 18-vuotiaat henkilöt.



Ilmausruvia



Varmista ennen laitteen käytön aloittamista, että olet lukenut ja ymmärtänyt käyttöohjeen.



Käytä suojalaseja ja kuulosuojaimia.



Käytä suojakäsineitä.



Käytä aina liukuesteillä varustettuja turvakengkiä.



Sammuta laite ja irrota pistoke pistorasiasta, kun laitetta ei käytetä sekä ennen laitteen huoltoa ja puhdistusta.



Varoitus! Laitteen turvallisuuteen vaikuttavia yksityiskohtia ei saa muuttaa millään tavalla.



Varoitus! Työskentele **aina yksin** halkomakoneen kanssa. Kaksi henkilöä ei saa millään tavalla käyttää laitetta samanaikaisesti.



Varoitus! Älä käytä laitetta sateessa tai kostealla säällä.

Yleisiä turvallisuusohjeita

1. **Pidä työtila puhtaana.** Tavaraa täynnä olevat työtasot lisäävät onnettomuuden vaaraa.
2. **Älä käytä konetta vaarallisessa ympäristössä.** Sähkökäyttöisiä työkaluja ei saa käyttää kosteilla tai märillä pinoilla eikä sateella. Huolehdi, että työskentelyalueen valaistus on riittävä. Huolehdi myös pölynpoistosta. Älä käytä sähkökäyttöisiä työkaluja tiloissa, joissa on tulipalon tai räjähdyksen vaara.
3. **Vältä sähköiskuja.** Vältä kontaktia maadoitettuihin esineisiin, kuten vesijohtoihin, lämpöpattereihin, lieteen ym. työskennellessäsi sähkötyökalulla.
4. **Pidä lapset ja muut ihmiset etäällä, kun käytät sähkötyökalua.** Heidän tulee olla riittävän kaukana sähkökäyttöisestä työkalusta ja sähköjohdoista.
5. **Säilytä sähkötyökalua lasten ulottumattomissa.** Säilytä sähkötyökalua lukitussa tilassa tai lasten ulottumattomissa silloin, kun sitä ei käytetä.
6. **Älä pakota konetta.** Sen käyttö on tehokkaampaa ja turvallisempaa sille tarkoitetulla syöttönopeudella.
7. **Käytä oikeita työkaluja.** Älä pakota konetta tai lisälaitetta työtehtävään, johon laite ei sovellu.
8. **Käytä tarkoituksenmukaisia vaatteita.** Älä käytä löysiä vaatteita, käsineitä, kaulaketjuja, sormuksia, rannerenkaita tai muita koruja, jotka voivat tarttua liikkuviin osiin. Liukuestekengät lisäävät turvallisuutta. Pitkät hiukset tulee suojata hiusverkolla tai vastaavalla.
9. **Käytä aina suojalaseja.** Tavalliset silmälasit eivät anna riittävää suojaa. Käytä myös hengityssuojainta ja suojanaamaria pölyävissä töissä.
10. **Käytä pölynpoistoa.** Jos laitteessa on pölynpoisto, käytä sitä poistamaan pöly ja lastut. Varmista, että pölynpoistolaitetta käytetään oikein ja että se tyhjennetään riittävän usein.
11. **Käsittele virtajohtoa varoen.** Älä kanna sähkötyökalua johdosta. Kun irrotat pistokkeen, vedä pistokkeesta, älä johdosta. Älä altista johtoa kuumuudelle, öljylle tai teräville kulmille.
12. **Kiinnitä työkappale kunnolla.** Käytä esim. ruuvipuristinta sen ollessa mahdollista. Näin kätesi jäävät vapaiksi, ja voit työskennellä molemmin käsin. Tämä on turvallisempaa kuin työkappaleesta kiinni pitäminen vain toisella kädellä.
13. **Älä kurota liian kauas.** Varmista, että työasentosi on tasapainoinen työn jokaisessa vaiheessa.
14. **Pidä työvälineet kunnossa.** Huolehdi työvälineiden puhtaudesta ja terien terävyydestä. Näin työskentely on turvallisempaa ja tehokkaampaa sekä lopputulos parempi. Noudata käyttöohjetta, kun voitelet tai vaihdat tarvikkeita. Tarkista virtajohto säännöllisesti. Anna ammattilaisen vaihtaa vioittunut virtajohto. Tarkista johdot säännöllisesti ja varmista, että ne ovat kunnossa. Varmista, että sähkötyökalun kahvat, säätimet ym. ovat kuivia ja puhtaita, ja että niissä ei ole öljyä ym.
15. **Katkaise koneesta virta.** Irrota pistoke ja paina hätäkatkaisinta ennen huoltoa ja laitteiden vaihtoa, esim. höylän terät, poranterät, hiomanauhut ja terät.
16. **Poista kaikki avaimet ja työkalut.** Ota tavaksesi varmistaa, että ne on poistettu koneesta ennen virran kytkemistä.

17. **Vältä koneen tahatonta käynnistämistä.** Älä kanna sähkötyökalua sormi virtakytkimellä/liipaisimella. Kun pistoke liitetään pistorasiaan, tulee virtakytkimen olla OFF-asennossa.
18. **Käytä oikeanlaisia jatkojohtoja.** Käytä ulkona ainoastaan ulkokäyttöön tarkoitettuja jatkojohtoja. Jatkojohdon johtimen pinta-alan tulee olla riittävä. Kierrä koko johto auki.
19. **Käytä tervettä järkeä ja ole varovainen.** Suunnittele työvaiheet etukäteen, jotta työ sujuisi turvallisesti. Älä käytä sähkötyökalua väsyneenä, lääkkeiden tai alkoholin vaikutuksen alaisena jne.
20. **Varmista, että kaikki osat ovat kunnossa.** Varmista ennen työskentelyn aloittamista, että kaikki suojat ja muut osat ovat kunnossa ja toimivat moitteettomasti. Huolehdi siitä, että liikkuvat osat liikkuvat vapaasti ja että ne on suunnattu oikein, eivätkä jää kiinni. Tarkista myös, ettei sähkötyökalussa ole muita vikoja tai työskentelyyn vaikuttavia tekijöitä. Ainoastaan ammattilainen saa vaihtaa tai korjata vioittuneet suojat ja muut osat. Johdot ja virtakytkimet tulee vaihdattaa ammattilaisella. Älä käytä sähkötyökalua, jos sitä ei voi käynnistää ja sammuttaa turvallisesti.
21. **Käytä suositeltuja lisälaitteita.** Muiden kuin suositeltujen lisälaitteiden käyttö saattaa johtaa onnettomuuksiin tai henkilövahinkoihin.
22. **Sähkötyökalun korjaaminen tulee jättää ammattilaiselle, ja korjaamisessa tulee käyttää alkuperäsosia.**
23. **Sähkötyökalu tulee turvallisuussyistä liittää sähköverkkoon vikavirtasuojakytkimen kautta.** Tuotteeseen ei saa tehdä muutoksia, eikä sitä saa käyttää muihin kuin sille tarkoitettuihin työtehtäviin. Varmista säännöllisesti, että ruuvit ja mutterit ovat kireällä.

Halkomakoneen turvallisuusohjeita

- Halkomakonetta saa käyttää vain yksi käyttäjä kerrallaan. Useat henkilöt eivät saa työskennellä halkomakoneella samanaikaisesti.
- Halkomakonetta saa käyttää ainoastaan tasaisella alustalla, joka ei ole liukas.
- Varmista ennen halkomista, että puukappaleessa ei ole oksia tai muita esineitä.
- Säilytä ohjeet ja varmista, että ne ovat laitteen mukana esim. silloin, kun lainaat sitä muille.
- Puukappaleet tulee halkaista puun syiden mukaisesti. Älä yritä halkaista puukappaletta puun syiden vastaisesti.
- Lue laitteen varoituskilvet ja pidä huolta siitä, että ne ovat aina luettavissa.
- Varmista, että pistorasian jännite on oikea (230 V), ennen kuin liität halkomakoneen verkkovirtaan.
- Älä muuta paineasetuksia. Tehdasasetuksen enimmäispaine on 6 tonnia.
- Virheelliset asetukset voivat johtaa vakaviin henkilö- ja konevahinkoihin tai koneen vajavaiseen toimintaan.
- Älä yritä halkoa useita puukappaleita samanaikaisesti.
- Älä yritä suoristaa vinoa puukappaletta käsin halkomakoneen ollessa liikkeessä. Sammuta halkomakone ja suorista puukappale.
- Älä pidä kiinni puukappaleesta.
- Jos puukappale juuttuu eikä sitä voi halkoa, päästä molemmat kahvat ja anna männän palautua alkuperäiseen asentoon. Halkomakoneen pakottaminen saattaa johtaa ylikuumenemiseen.
- Irrota virtajohdon pistoke pistorasiasta aina ennen huoltoa sekä kun lopetat työskentelyn. Varmista, että lapset ja sivulliset eivät voi käynnistää halkomakonetta.
- Tarkista ennen käyttöä, että halkomakoneen suojalaitteet toimivat ja että ne on asennettu oikein.
- Käytä suojalaseja, kuulosuojaimia ja tarvittaessa teräsvahvisteisia kenkiä.
- Varmista aina, että työasentosi on tasapainoinen työn jokaisessa vaiheessa. Tartu kahvoihin molemmin käsin.
- Pidä kädet ja sormet kaukana vastinlevyistä ja halkaisuterästä. Ole varovainen käsitellessäsi laitetta ja käytä tervettä järkeä.
- Varmista, että koneen lähetyvillä ei ole ihmisiä tai eläimiä. Työskentelyn aikana koneesta saattaa sinkoutua teräviä puunpalasia.
- Liitä halkomakone pistorasiaan vikavirtasuojakytkimen kautta.
- Halkomakonetta ei saa käyttää sateessa tai erittäin kostealla ilmalla.
- Älä koskaan käytä laitetta jos virtajohto, virtakytkin tai jokin muu osa on vaurioitunut. Vika on korjautettava asiantuntijalla.
- Varmista, että tämä käyttöohje kulkee aina laitteen mukana ja että se on aina luettavassa kunnossa ja helposti saatavilla.
- Varmista, että kaikki laitteen käyttäjät ovat lukeneet ja ymmärtäneet koko käyttöohjeen.
- Ole aina tarkkaavainen ja varovainen. Suunnittele työn vaiheet etukäteen, jotta voit suorittaa ne turvallisesti. Älä käytä laitetta väsyneenä, sairaana tai alkoholin, lääkkeiden ym. vaikutuksen alaisena.

Muut turvallisuussymbolit



Varoitus! Älä kurota liian kauas. Varmista, että seisot tasapainoisesti työn jokaisessa vaiheessa. Älä pinoa puukappaleita niin, että sinun pitää kurotella. Käytä halkomakoneen hallintaan ainoastaan käsiä. Älä käytä muita ruumiinosia tai välineitä, jotka lisäävät käsien juuttumisriskiä halkaisukiilan ja puukappaleen väliin. Seuraa halkaisukiilan liikettä. Älä pinoa puukappaleita, kun halkaiset niitä. Älä laita halkomakoneen päälle puukappaleita männänvarren liikkuesssa. Pidä kädet loitolla kaikista liikkuvista osista.



Varoitus! Pidä kädet loitolla, kun männänvarsi palautuu halkaisun jälkeen. Halkomakone pysähtyy vasta, kun männänvarsi on palautunut kokonaan. Pidä kädet loitolla puukappaleisiin halkoessa syntyvistä halkeamista. Halkeamat voivat hajota ja aiheuttaa loukkaantumisen. Älä yritä irrottaa juuttunutta puukappaletta käsin.



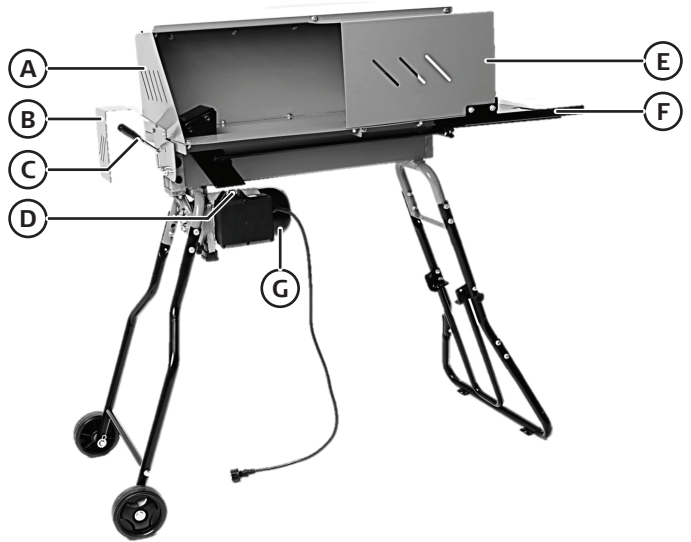
Ajattele ympäristöä ja kierrätä jäteöljy asianmukaisesti.



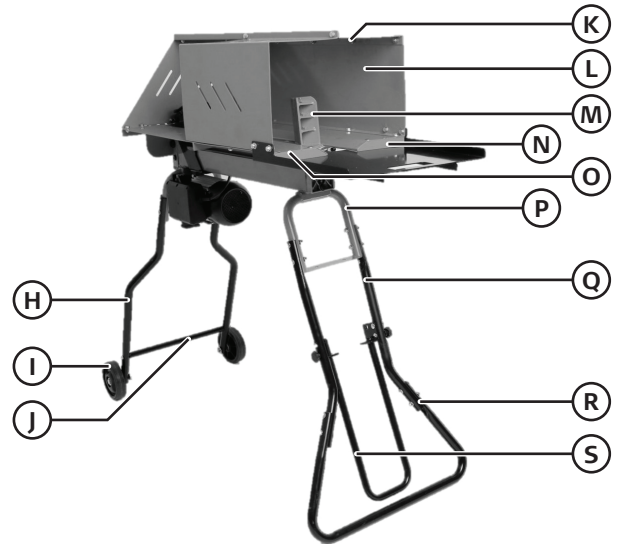
Varmista, että halkomakone ei ole vahingoittunut ja että kaikki suojarusteet ovat paikoillaan, oikein asennettuina ja toimintakunnossa. Älä käytä halkomakonetta, jos jokin suojaruste on vioittunut tai puuttuu. Tarkista öljymäärä ennen halkomakoneen käynnistämistä.

Tuotekuvas

- A Takapäädyn suojapelti
- B Halkaisusäätimen suojapelti
- C Halkaisusäädin
- D Virtakytkin
- E Hallintapuolen suojapelti
- F Keräyspöytä
- G Sähkömoottori



- H Taaempi tukijalka ja pyörä x 2
- I Pyörä x 2
- J Tuki
- K Ylempi suojapelti
- L Takapuolen suojapelti
- M Halkaisukiila
- N Vasen halkaisupöytä
- O Oikea halkaisupöytä
- P Tukijalka
- Q Etummainen tukijalka, yläosa x 2
- R Etummainen tukijalka, alaosa x 2
- S Kahva



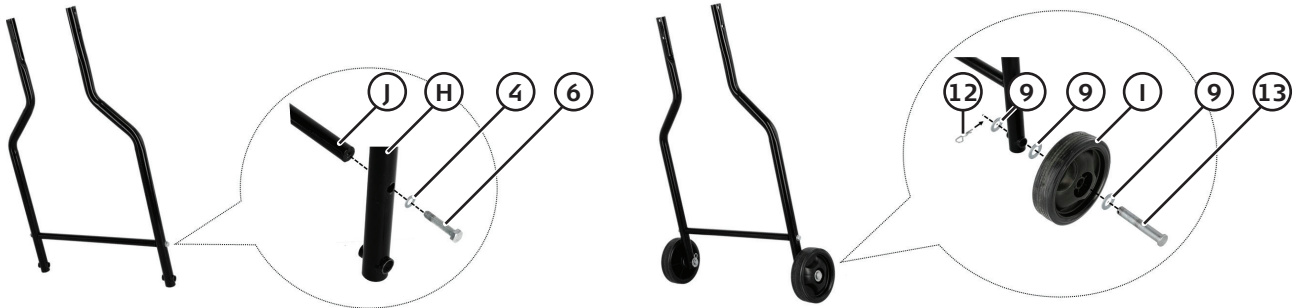
| | | | |
|---|--|--------------------------|--------|
| ① | | Pultti M6 x 14 | 2 kpl |
| ② | | Aluslaatta M6 | 2 kpl |
| ③ | | Mutteri M6 | 2 kpl |
| ④ | | Aluslaatta M8 | 90 kpl |
| ⑤ | | Itselukittuva mutteri M8 | 44 kpl |
| ⑥ | | Pultti M8 x 45 | 14 kpl |
| ⑦ | | Pultti M8 x 16 | 28 kpl |
| ⑧ | | Lukkopultti M8 x 45 | 4 kpl |

| | | | |
|---|--|---------------------------------|-------|
| ⑨ | | Aluslaatta 14 | 6 kpl |
| ⑩ | | Lukkopultti M8 x 40 | 2 kpl |
| ⑪ | | Lukitusvipu | 2 kpl |
| ⑫ | | Lukitussockka | 2 kpl |
| ⑬ | | Renkaan akseli | 2 kpl |
| ⑭ | | Avaimet | 2 kpl |
| ⑮ | | Varatiiviste öljyn mittatikulle | 1 kpl |

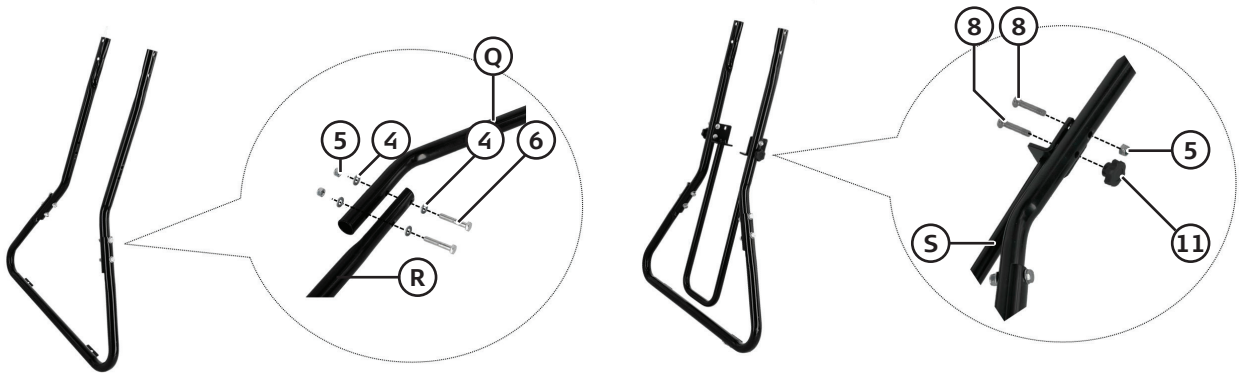
Asennus

△ Tärkeää!

Halkomakoneen asentamiseen tarvitaan kaksi henkilöä. Asennus sujuu helpommin ja turvallisemmin, jos asennukseen osallistuu kaksi henkilöä. Halkomakonetta sen sijaan tulee aina käyttää yksin. Kaksi henkilöä ei saa käyttää halkomakonetta yhdessä.



1. Taaempi tukijalka ja pyörä

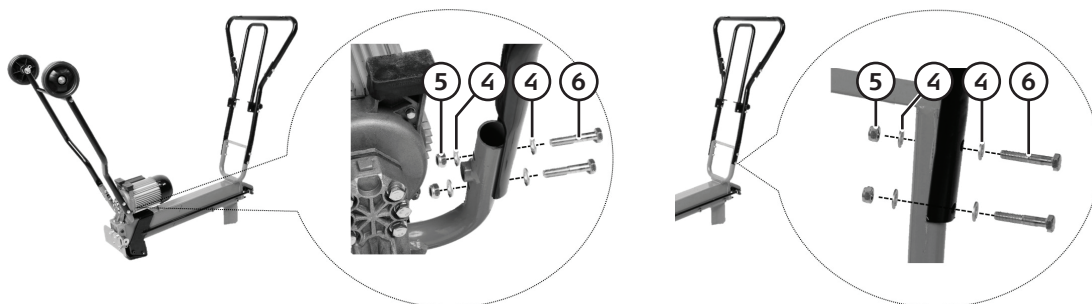
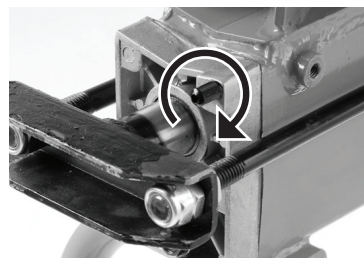


2. Etummainen tukijalka

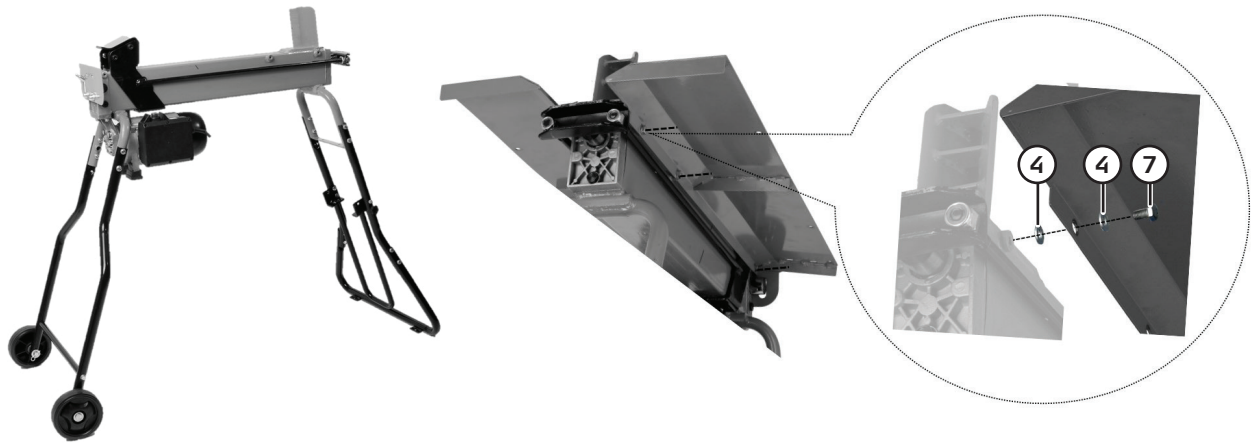
3. Kahva

4. Asenna jalat halkomakoneeseen

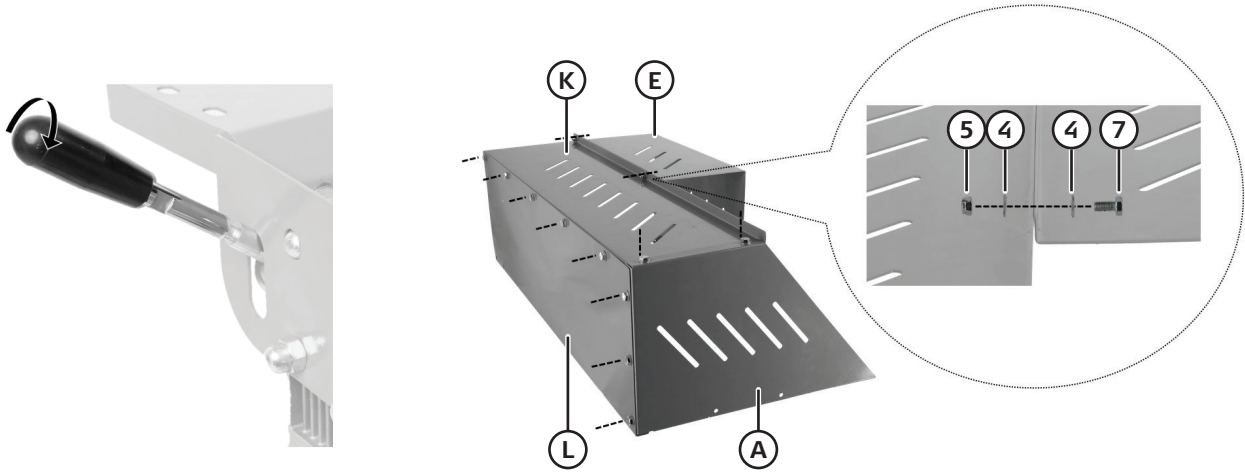
△ Tärkeää! Tarkista ennen halkomakoneen kääntämistä, että ilmausruuvi on kiristetty. Näin estetään öljyn valuminen ulos.



Käännä halkomakone ylösalaisin, työnnä jalat paikoilleen ja ruuvaa jalat kiinni.

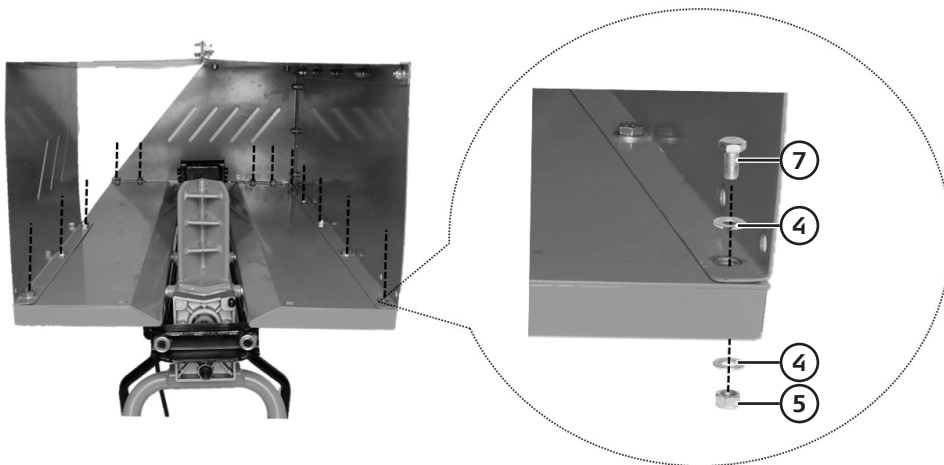


1. Halkaisupöytä: Käännä halkomakone oikein päin niin, että se seisoo jaloillaan. Asenna oikea ja vasen halkaisupöytä.

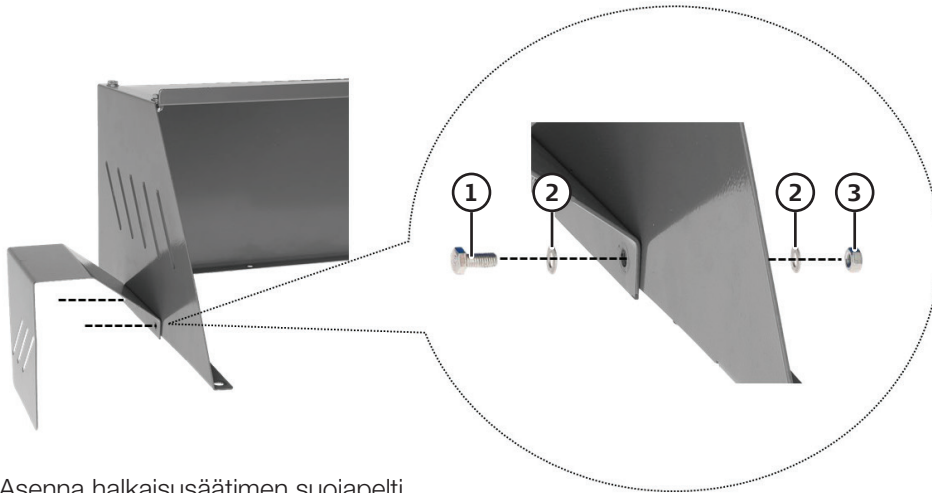


2. Halkaisusäädin

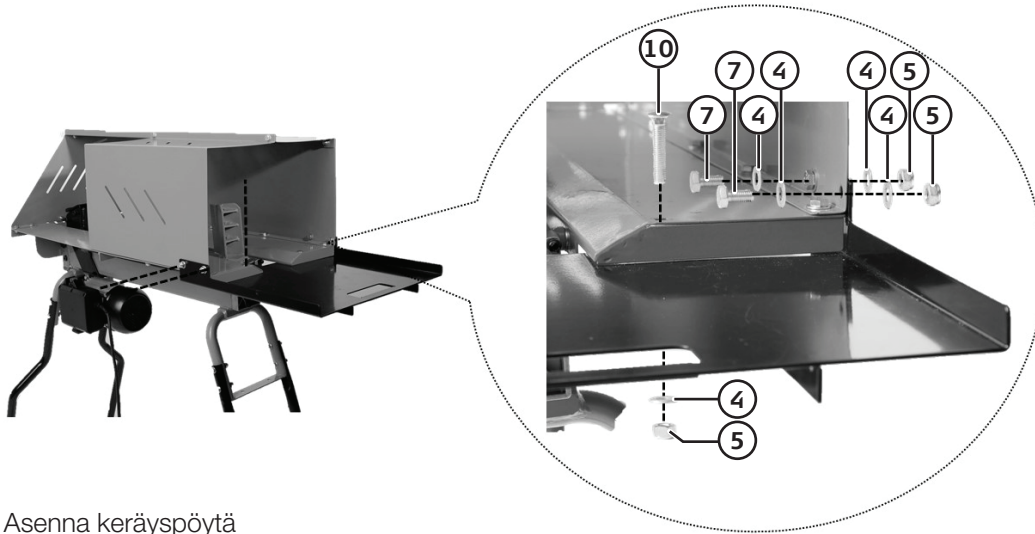
3. Suojapelti



4. Asenna suojapelti halkomakoneeseen



1. Asenna halkaisusäätimen suojapelti

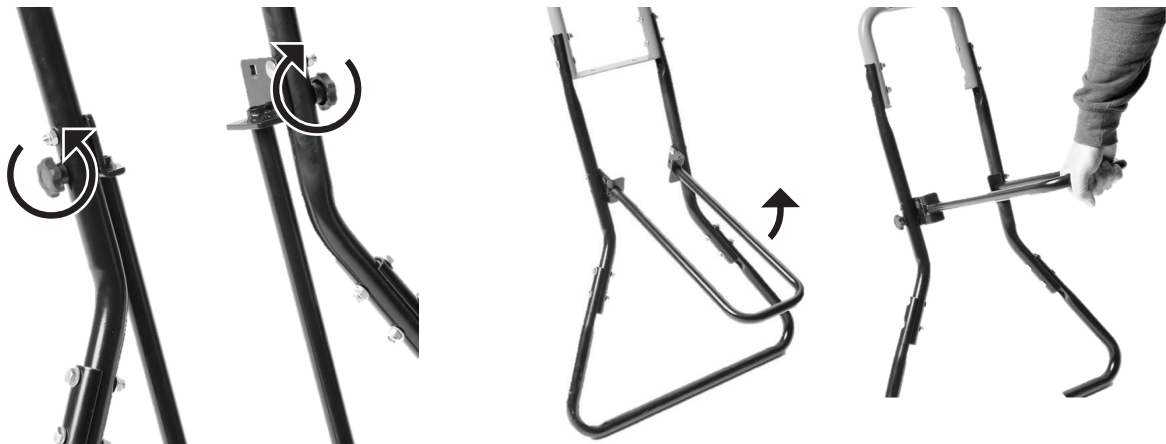


2. Asenna keräyspöytä

Käyttö

Kahva

1. Käännä kahva ylös, jotta voit siirtää halkomakonetta helposti.



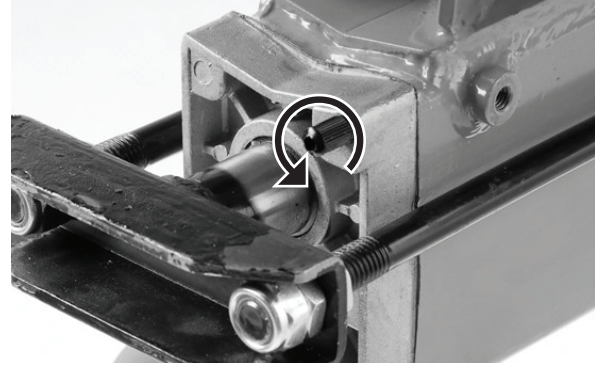
2. Avaa kahvan kaksi lukitusvipua ja vedä pultit ulos.

3. Taita kahva ylös ja aseta pultit kahvan uusiin reikiin ja kiristä lukitusviput.

Valmistelut

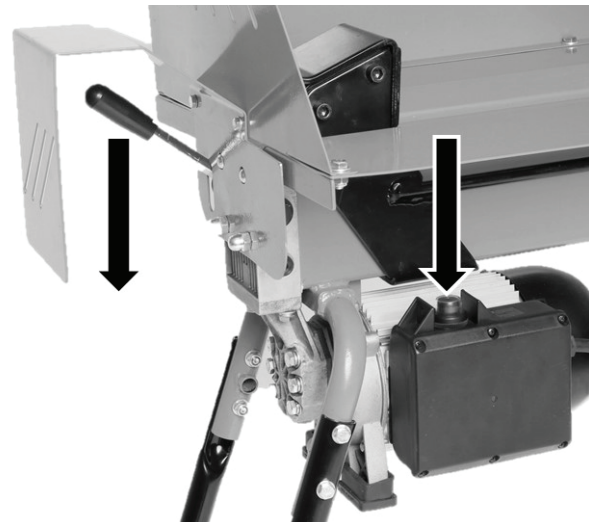
- Sijoita halkomakone tasaiselle ja vakaalle pinnalle.
- Varmista, että virtajohto ja virtapainike ovat ehjät ja että kaikki ruuvit ja mutterit ovat kunnolla kiinni.
- Liitä virtajohto maadoitettuun pistorasiaan. Pistorasiassa tulee olla vikavirtasuojakytkin (RCD 30 mA). Sijoita virtajohto niin, että se ei pääse vahingoittumaan ja että kukaan ei kompastu siihen.

△ Tärkeää Avaa ilmausruuvia 3–4 kierrosta, jotta tunnet ilmavirran käytön aikana.



Halkaisu

- Laita halkaisukiilaan päin se puukappaleen osa, jossa on vähemmän oksia, ja halkaise aina puun syiden suuntaisesti.
- Aseta puukappale mahdollisimman tukevasti halkaisupöydän sivuja vasten.
- Käynnistä moottori pitämällä virtakytkintä pohjassa.
- Käynnistä hydraulikka painamalla halkaisusäädin pohjaan.
- Männänvarren vastinlevy painaa puukappaletta nyt halkaisukiilaa vasten.
- Päästä halkaisusäädin ja virtakytkin, kun lopetat halkaisun, palautusjouset vetävät männänvarren takaisin.



△ Tärkeää! Jos puukappale ei ala haljeta viiden sekunnin kuluessa täydellä paineella, päästä halkaisusäädin ja virtakytkin ja anna vastinlevyn palautua, käännä puukappaletta 90° tai kokonaan ja yritä uudelleen.

Jos puukappale jumittuu

- Keskeytä halkaiseminen.
- Kun vastinlevy on palautunut alkuperäiseen asentoon, laita puukiila puukappaleen puukappaleen alle vastinlevyn avulla.
- Käynnistä halkomakone ja työnnä kiilaa puukappaleen alle vastinlevyn avulla.
- Toista sama tarvittaessa isommalla kiilalla.



△ Tärkeää! Älä yritä irrottaa jumitunutta puukappaletta lyömällä. Puukappale saattaa haljeta suurella voimalla ja aiheuttaa henkilö- ja laitevahinkoja.



Huolto ja säilytys

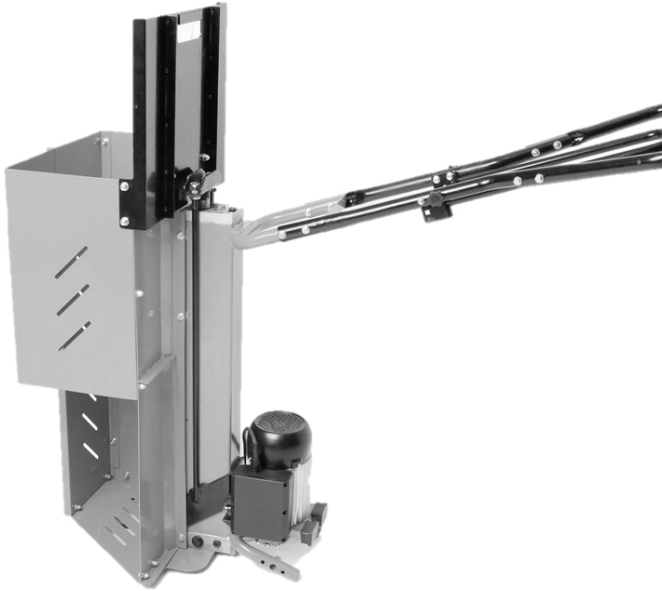
- Irrota pistoke pistorasiasta ennen puhdistamista ja huoltamista.
- Puhdista halkomakoneen kaikki osat harjalla ja kuivalla liinalla.
- Irrota pistoke pistorasiasta ja säilytä halkomakonetta kuivassa ja puhtaassa ympäristössä suojassa syövyttäviltä aineilta. Halkomakonetta tulee säilyttää lasten ulottumattomissa. Säilytyslämpötila ei saa laskea alle -25°C .
- Sulje ilmausruuvi halkomakoneen kuljetuksen, säilytyksen ja muun käsittelyn ajaksi, jotta öljy ei valu ulos. Mikäli ilmausruuvi on auki halkomakoneen ollessa pidempään säilytyksessä, öljy imee ilmassa olevaa kosteutta, mikä saattaa aiheuttaa hydraulikkajärjestelmän ruostumista sisäpuolelta.
- Pidä halkaisukiila terävänä hiomalla terän urat sileiksi hienolla metalliviilalla.

Öljytason tarkistaminen/öljynvaihto

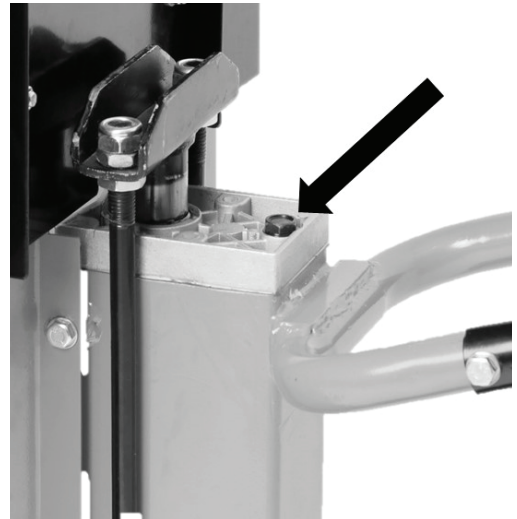
△ **Tärkeää** Tarkista öljyntaso / tee öljynvaihto aina toisen henkilön kanssa. Työ sujuu helpommin ja turvallisemmin, jos siihen osallistuu kaksi henkilöä.

Ensimmäinen öljynvaihto tulee tehdä 50 käyttötunnin jälkeen ja sen jälkeen aina 250 käyttötunnin jälkeen.

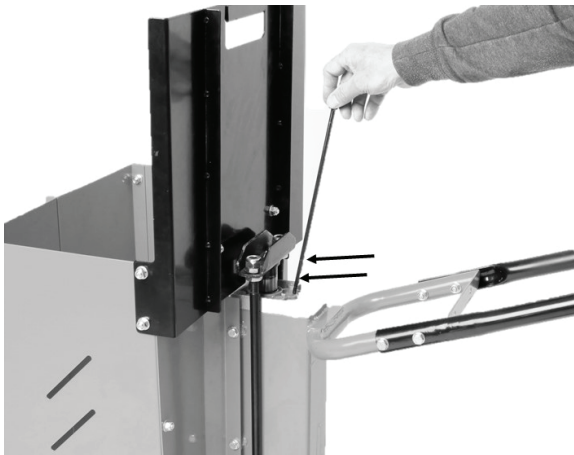
Öljytason tarkistaminen



1. Irrota taaempi tukijalka, jossa on pyörät, ja kallista halkomakonetta kuvan osoittamalla tavalla.



2. Varmista, että tikun ympärillä olevalla alueella ei ole epäpuhtauksia.



3. Kierrä öljytikku irti ja pyyhi se. Työnnä öljytikku reikään niin, että se on halkomakonetta vasten, mutta älä kierrä sitä kiinni. Vedä tikku uudelleen ulos ja tarkista öljymäärä tikusta. Öljytason tulee olla mittatikun kahden merkinnän välissä.
4. Kierrä tikku takaisin paikalleen. Älä kiristä liikaa, ettei tiiviste vahingoitu.

Öljynvaihto

1. Toimi luvun Öljytason tarkistaminen kohtien 1 ja 2 mukaisesti.
2. Ime öljy pois öljymurilla. Vie käytetty öljy kierrätykseen, jossa se kierrätetään vastuullisella tavalla.
3. Lisää uutta öljyä (hydrauliikkaöljy 3,2 l).
4. Tarkista taso ja kierrä tikku takaisin paikalleen. Älä kiristä liikaa, ettei tiiviste vahingoitu.

Vianhakutaulukko

| | |
|---|--|
| Halkaisu epäonnistui. | <ul style="list-style-type: none">• Puukappale on asetettu väärin. Kierrä tai käännä puukappale.• Puukappale on liian kova tai paksu.• Halkaisukiila on tylsä tai vioittunut. Teroita halkaisukiila (katso luku <i>Huolto ja säilytys</i>).• Öljytaso on liian matala, tarkista öljyn määrä (katso luku <i>Huolto ja säilytys</i>). |
| Vastinlevy liikkuu nykien, halkomakoneesta kuuluu epätavallista ääntä ja se tärisee voimakkaasti. | <ul style="list-style-type: none">• Öljytaso on liian matala, tarkista öljyn määrä (katso luku <i>Huolto ja säilytys</i>). |
| Moottori ei käynnisty. | <ul style="list-style-type: none">• Varmista, että pistoke on liitetty kunnolla pistorasiaan.• Varmista, että pistorasiasta tulee virtaa. |

Kierrättäminen

Tämä kuvake tarkoittaa, että tuotetta ei saa hävittää kotitalousjätteen seassa. Tämä koskee koko EU-aluetta. Virheellisestä hävittämisestä johtuvien mahdollisten ympäristö- ja terveyshaittojen ehkäisemiseksi tuote tulee viedä kierrätettäväksi, jotta materiaali voidaan käsitellä vastuullisella tavalla. Kierrätä tuote käyttämällä paikallisia kierrätysjärjestelmiä tai ota yhteys ostopaikkaan. Ostopaikassa tuote kierrätetään vastuullisella tavalla.



Tekniset tiedot

| | |
|-----------------------------|--------------------------------|
| Verkkoliitäntä | 230 V AC, 50 Hz |
| Teho | 2600 W S3 20% |
| Kotelointiluokka | IP54 |
| Halkaisukapasiteetti | Ø 50–250 mm, pituus 150–520 mm |
| Suosittelun käyttölämpötila | +5 °C...+ 40 °C |
| Halkaisuvoima | 6,5 t |
| Hydrauliöljyn määrä | 3,2 l |
| Mitat | 1560 × 590 × 1330 mm |
| Paino | 77 kg |

EC Declaration of Conformity

EG-försäkran om överensstämmelse / Egenerklæring / EY-vaatimustenmukaisuusvakuutus



This declaration of conformity is issued under the sole responsibility of the manufacturer.

EU-försäkran om överensstämmelse utfärdas på tillverkarens eget ansvar. / Egenerklæringen er utstedt under produsentens eget ansvar. / Tämä vaatimustenmukaisuusvakuutus on annettu valmistajan yksinomaisella vastuulla

Manufacturer and person authorised to compile technical file: Clas Ohlson AB, SE-793 85 Insjön, Sweden

| | |
|----------------------------|---------------------------|
| Name | COCRAFT LOG SPLITTER 6.5T |
| Type/Model | LS7000/520C-S |
| Clas Ohlson Article Number | 412650000 |


The product satisfies the provision for CE-marking according to the following directive(s) / regulation(s) including amendments / Produkten uppfyller kraven för CE-märkning enligt följande direktiv / förordningar inklusive ändringar/ Produktet tilfredsstiller bestemmelsen om CE-merking i henhold til følgende direktiv (er) / forskrifter, inkludert endringer / Tuote täyttää seuraavien direktiivien / asetusten mukaiset CE-merkintää koskevat vaatimukset, mukaan lukien muutokset;

- Machinery Directive 2006/42/EC
- EMC Directive 2014/30/EU

References to the relevant harmonised standards used or references to the other technical specifications in relation to which conformity is declared. Hänvisning till de harmoniserade standarder som använts eller hänvisningar till de specifikationer som försäkran om överensstämmelse deklarerar: / Referere til harmoniserte standarder som brukes, eller henvisninger til spesifikasjonene der samsvarserklæring er erklært: / Viittaus yhdenmukaistettuihin standardeihin tai viittaus eritelmiin, jossa vaatimustenmukaisuusvakuutus on julistettu; Machinery: EN 609-1:2017. EN 60204-1:2018. EMC: EN IEC 55014-1:2021. EN IEC 55014-2:2021. EN IEC 61000-3-2:2019+A1. EN 61000-3-3:2013+A1

Signed for and on behalf of;

Place and date: Insjön 2022-06-31



Carina Hemstrand
Product Compliance & Sustainability Manager
Clas Ohlson AB, SE-793 85 Insjön, Sweden

Sverige

Kundtjänst tel: 0247/445 00
e-post: kundservice@clasohlson.se

Internet www.clasohlson.se

Post Clas Ohlson AB, 793 85 INSJÖN

Norge

Kundesenter tlf.: 23 21 40 00
e-post: kundesenter@clasohlson.no

Internett www.clasohlson.no

Post Clas Ohlson AS, Postboks 485 Sentrum,
0105 OSLO

Suomi

Asiakaspalvelu puh.: 020 111 2222
sähköposti: asiakaspalvelu@clasohlson.fi

Internet www.clasohlson.fi

Osoite Clas Ohlson Oy, Kaivokatu 10 B,
00100 HELSINKI

United Kingdom

Internet www.clasohlson.co.uk