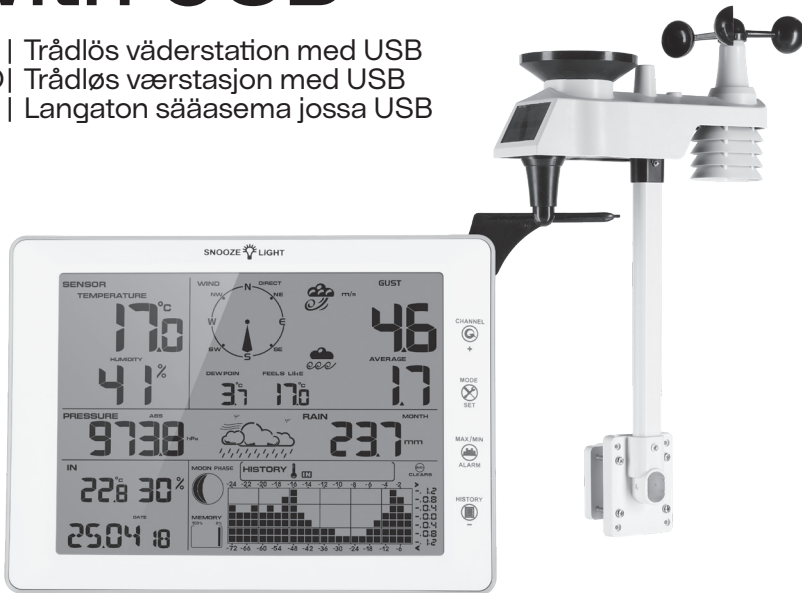




Wireless

Weather Station with USB

SE | Trådlös väderstation med USB
NO | Trådløs værstasjon med USB
FI | Langaton sääasema jossa USB



Important:

Read the entire instruction manual carefully and make sure that you fully understand it before you use the equipment. Keep the manual for future reference.

Viktig informasjon:

Läs hela bruksanvisningen noggrant och försäkra dig om att du har förstått den innan du använder utrustningen. Spara bruksanvisningen för framtida bruk.

Viktig informasjon:

Les disse anvisningene nøye og forsikre deg om at du forstår dem, før du tar produktet i bruk. Ta vare på anvisningene for seinere bruk.

Tärkeää tietoa:

Lue nämä ohjeet huolellisesti ja varmista että olet ymmärtänyt ne, ennen kuin alat käyttää laitetta. Säilytä ohjeet myöhempää tarvetta varten.



Art.no.

36-9231

Model

FT0203A

Ver. 20231116
Original instructions
Bruksanvisning i original
Originalbruksanvisning
Alkuperäinen käyttöohje

English

Svenska

Norsk

Suomi

USB Wireless Weather Station

Art. no 36-9231 Model FT0203A

Please read the entire instruction manual before using the product and then save it for future reference. We reserve the right for any errors in text or images and any necessary changes made to technical data. In the event of technical problems or other queries, please contact our Customer Services (see address details on the back).

English

Table of Contents

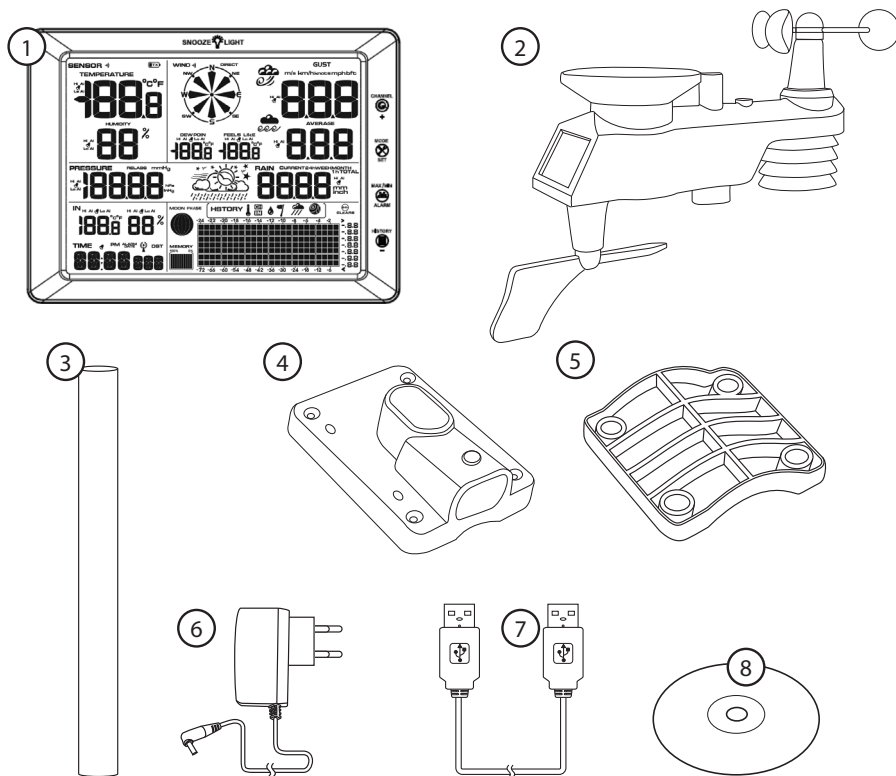
Safety	4
Contents	5
Fasteners:.....	5
Product description	6
Indoor unit.....	6
Outdoor unit.....	8
Installation	9
Inserting batteries	9
Outdoor unit.....	9
Indoor unit.....	9
Scanning for the outdoor unit sensors and checking their operation	10
Anemometer	11
Rain sensor	11
Thermometer/Hygrometer	11
Indoor unit	12
Key to the display	12
Settings/adjustments.....	14
Max/min	17
Clearing recorded readings.....	17
Histogram, weather forecast and moon phase.....	17
Display backlight	19
Alarm.....	19
Calibration.....	21

Installation	22
Choosing a location	22
Software (WeatherHome)	25
System requirements	25
Installation	25
Instructions for use.....	25
Care and maintenance	29
Troubleshooting guide	30
Responsible disposal	30
Specifications	31
Sensor data	31
Wireless transmission	31
Indoor unit.....	31
Outdoor unit.....	31

Safety

- The weather station indoor unit must not be exposed to rain or moisture.
- The product must not be dismantled or modified in any way.
- The product is not intended to be used as a reference device and Clas Ohlson will not be held liable for any damage which may result from inaccurate readings.
- Since the solar panel for the outdoor unit does not charge the batteries, rechargeable batteries should not be used. High quality alkaline batteries or lithium batteries should be used. Do not mix old and new batteries and or mix alkaline batteries with lithium batteries. When replacing batteries, always change all the batteries at the same time.
- When you change the batteries on the indoor unit, the recorded data (histogram) and saved max and min values will be deleted.
- Do not subject the product to shocks or impacts.
- Appropriate personal safety equipment must be used while working on a roof while installing the outdoor unit.
- Do not stay on the roof in the event of a thunderstorm.

Contents

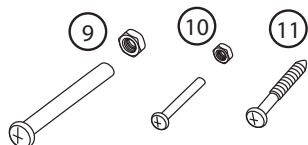


English

1. Indoor unit
2. Outdoor unit with sensors for wind speed, wind direction, rainfall, temperature and humidity
3. Arm for mounting the outdoor unit
4. Bracket for arm
5. Bracket for mast attachment
6. Mains adapter
7. USB cable
8. CD with software (WeatherHome)

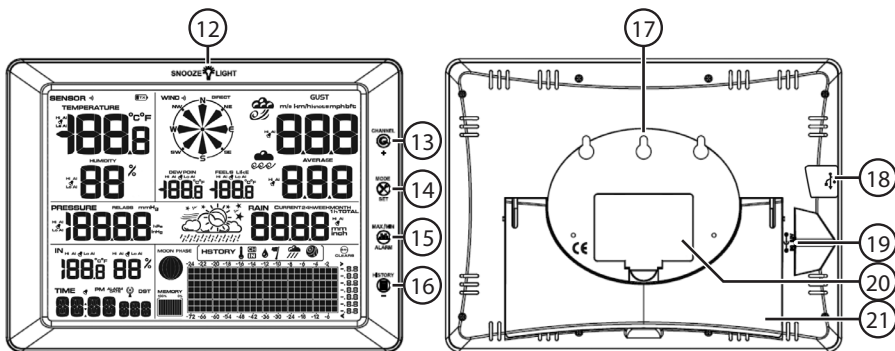
Fasteners:

9. M5 machine screw and nut for mast attachment
10. M3 machine screw and nut for outdoor unit attachment
11. Wood screw for wall/roof attachment



Product description

Indoor unit



12. [SNOOZE/LIGHT]

Press to activate the snooze function/change the display brightness. Hold in to turn the display light on/off.

13. [CHANNEL/+]

Press to change the value/advance.
Hold in to manually scan for a sensor.

14. [MODE/SET]

Press to change the display mode/confirm selection.
Hold in to enter settings mode.

15. [MAX/MIN/ALARM]

Press to display the max/min readings.
Hold in to display the set alarm limits.

16. [HISTORY/-]

Press to change the value/go back or select the histogram. Hold in to set the alarm and button sound.

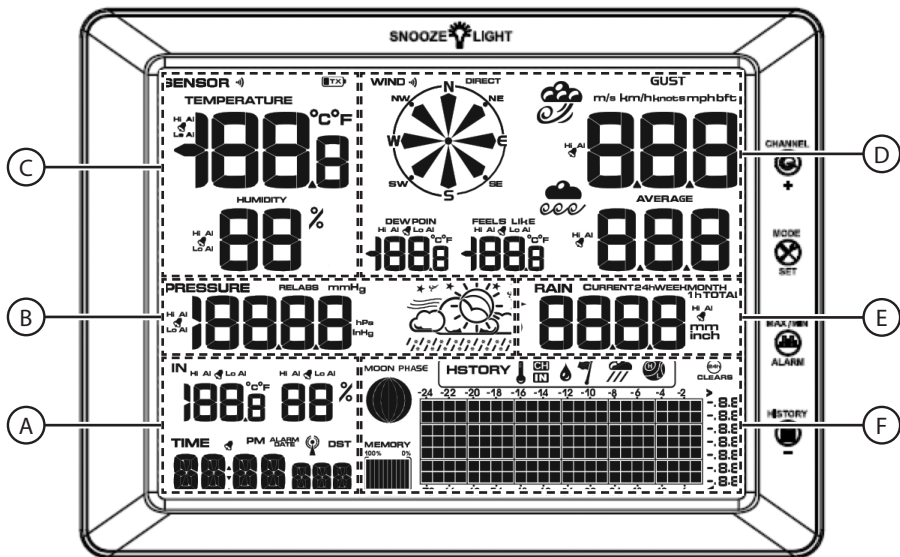
17. Hanging hole

18. USB connection

19. DC 6.0 V

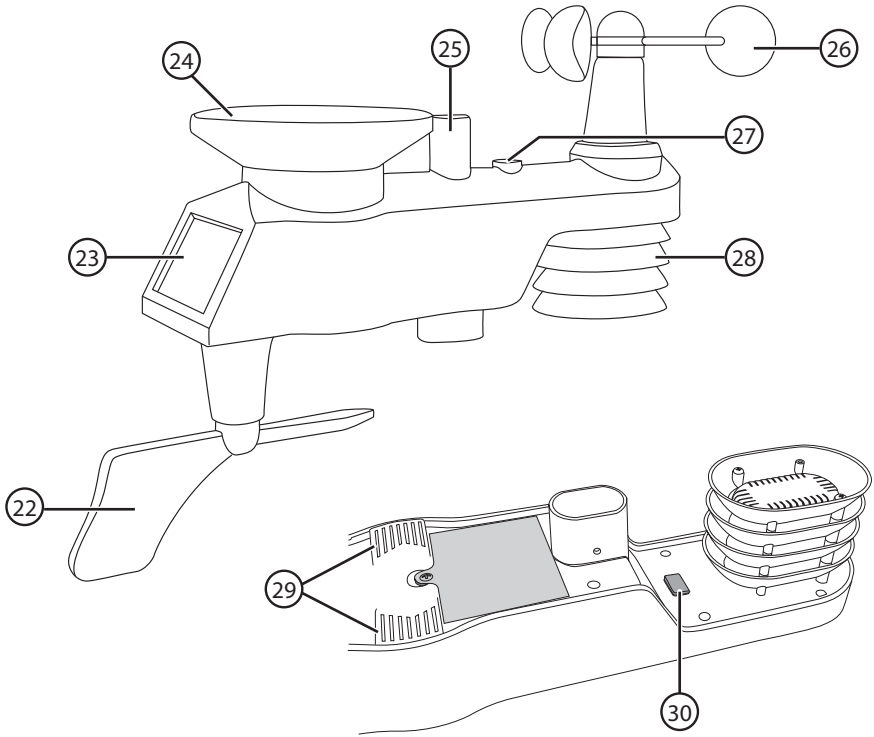
20. Battery cover

21. Table stand



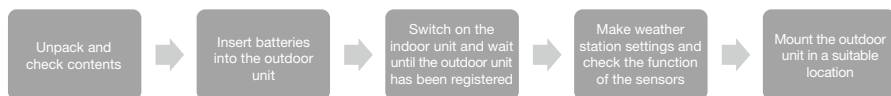
- A) "IN" Indoor temperature and humidity
 "TIME" Time/date/day
- B) "PRESSURE" Atmospheric pressure and weather forecast
- C) "TEMPERATURE" Outdoor temperature
 "HUMIDITY" Outdoor humidity
- D) "WIND" Wind direction
 "GUST" Wind speed
 "AVERAGE" Average wind speed
 "DEW POINT" Dewpoint
 "FEELS LIKE" Perceived temperature
- E) "RAIN" Rainfall
- F) "HISTORY" Histogram (24- or 72-hour data graph)
 "MOON PHASE" Phase of the moon

Outdoor unit



- 22. Sensor for wind direction
- 23. Solar panel
- 24. Rainwater collector
- 25. Aerial
- 26. Anemometer (wind speed sensor)
- 27. Spirit level
- 28. Sensor for temperature and humidity (thermometer/hygrometer)
- 29. Rain gauge drain holes
- 30. LED indicator and [RESET] button

Installation



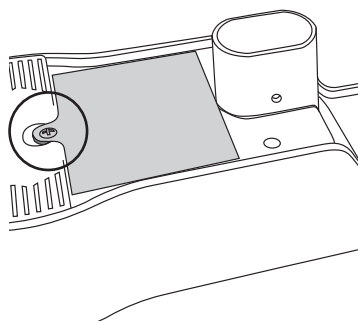
Inserting batteries

⚠ Note:

Insert batteries into the outdoor unit **before** switching on the indoor unit. As soon as the indoor unit is switched on, it will begin to automatically search for the sensors on the outdoor unit. When inserting batteries into the units, note the markings in the battery compartments to ensure correct polarity.


Outdoor unit

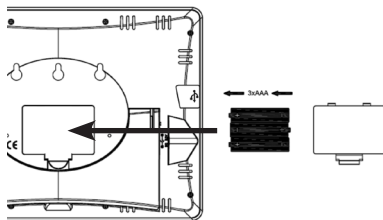
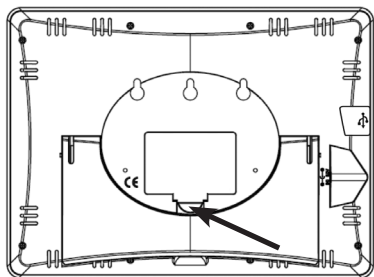
1. Unscrew the retaining screw and remove the battery compartment cover.
2. Insert 3 × AA/LR6 batteries. The LED indicator will light for 3 seconds and then flash every 16 seconds to indicate when data is transmitted from the unit.
3. If the LED indicator does not flash after the batteries have been inserted, press [RESET] to reset the unit.
4. Refit the battery cover and tighten the retaining screw.



Indoor unit

⚠ Note:

- Make sure that the outdoor unit is functioning before switching the indoor unit on.
- Make sure that the outdoor unit is located a distance of between 1.5 m and 30 m from the indoor unit. If the outdoor unit is too close or too far away, the indoor unit may have trouble receiving the data signals.
- As soon as the indoor unit is switched on, it will begin to automatically scan for the sensors on the outdoor unit (the  symbol will light). Do not press any buttons until all the sensors have been registered otherwise the scan will be discontinued.
- The indoor unit can be powered either by batteries or the mains using the included mains adapter.

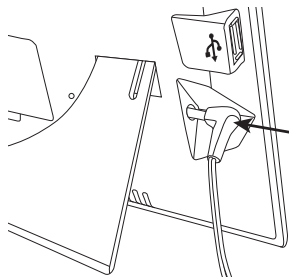


Battery operation


1. Press in the catch and remove the battery cover.
2. Insert 3 × AAA/LR03 batteries. Note the polarity markings in the battery compartment to ensure correct insertion.
3. Refit the battery cover.

Mains operation

- Connect the mains adapter to the DC 6.0 V input socket and to a 230 V mains electricity socket. AC ON will appear on the display screen for 3 seconds.
- If the mains adapter is disconnected and the weather station goes over to battery operation, AC OFF will appear on the display screen.
 - Remember to unplug the mains adapter from the wall socket during heavy thunder storms to protect the weather station.



Scanning for the outdoor unit sensors and checking their operation

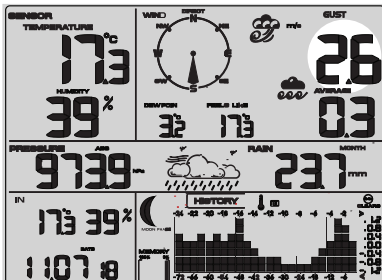
As soon as the indoor unit is switched on, it will begin to scan automatically for any sensors in the vicinity. The scan will be indicated by the  lighting up. When the symbol is no longer illuminated, the operation of the sensor can be tested.

Information

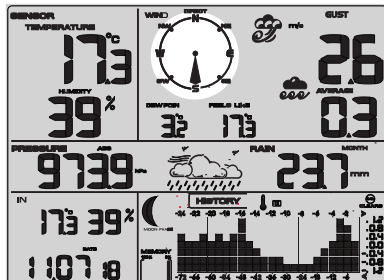
If during the scan the indoor unit can't find, or loses contact with the outdoor unit "--." will appear on the display. Try scanning for the sensors manually:

In normal display mode, hold in [CHANNEL/+] for 3 seconds. " will appear on the display.

Anemometer



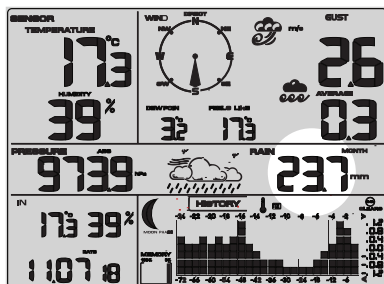
Test the operation of the anemometer by spinning the cups. Check that the speed indicated on the display changes in relation to the speed of the cups.



Test the operation of the wind direction sensor by moving the weather vane. Check that the direction indicated on the display changes as the weather vane is turned.

Rain sensor

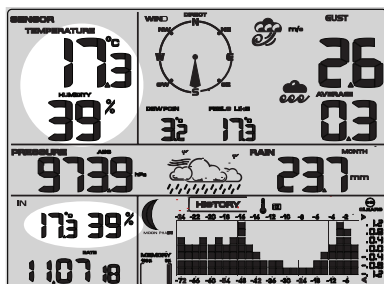
Rock the outdoor unit from side to side and listen for clicking sounds. Each click represents 0.3 mm rainfall. Check that the reading indicated on the display changes as the outdoor unit is rocked.



Thermometer/Hygrometer

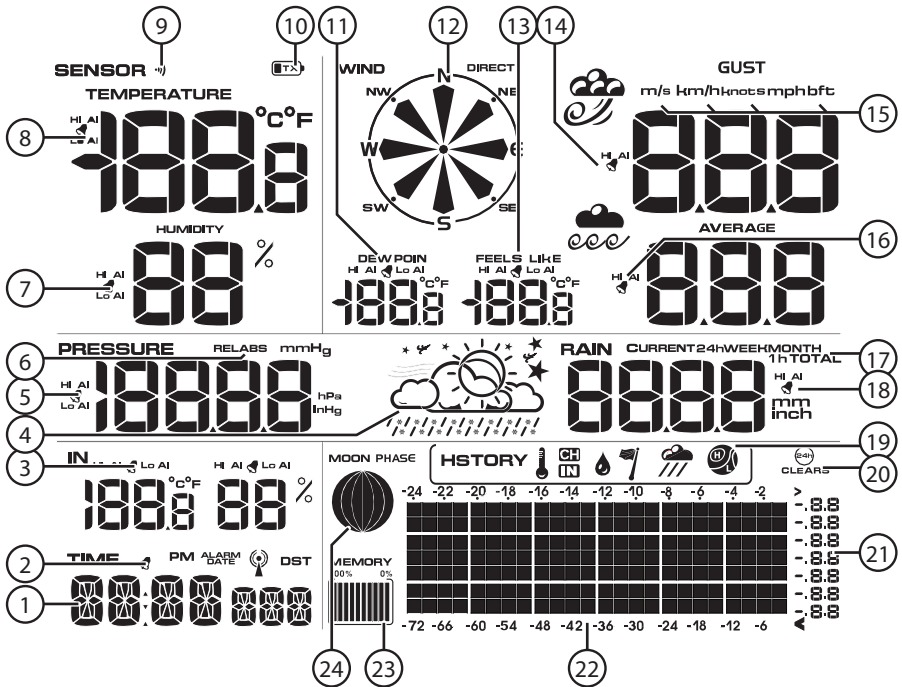
Place the outdoor unit close to the indoor unit and leave it for about 30 minutes for it to acclimatise to the new ambient temperature. Compare the temperature and humidity readings from both units. The temperature readings should not differ more than 1 °C (accuracy ± 0.5 °C) and the humidity readings should not differ by more than 6 % (accuracy ± 3 %).

If the difference in the readings is outside these limits, the accuracy can be adjusted by calibrating the indoor unit. Refer to the *Calibration* section.



Indoor unit

Key to the display

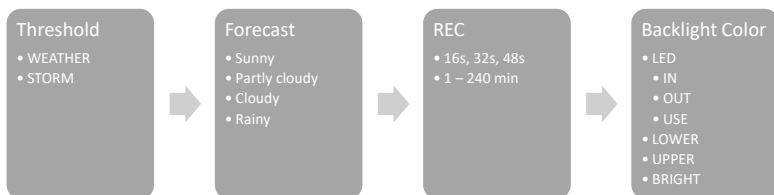


1. Time/date/day
2. Alarm symbol for the clock
3. Alarm symbol for indoor temperature and humidity
4. Weather forecast, storm warning
5. Alarm symbol for atmospheric pressure
6. Display mode indicator for relative or absolute atmospheric pressure
7. Alarm symbol for outdoor humidity
8. Alarm symbol for outdoor temperature
9. Signal indicator for the outdoor unit – illuminates when measurement data is received and when scanning for a sensor
10. Low battery warning indicator, outdoor unit
11. Alarm symbol for the dew point
12. Wind direction
13. Alarm symbol for perceived temperature
14. Alarm symbol for wind speed
15. Unit of measurement for wind speed
16. Alarm symbol for average wind speed
17. Rainfall measurement period
18. Alarm symbol for rainfall
19. Selected histogram indicator
20. Automatic clearing of saved max/min readings activation indicator
21. Histogram measurement scale
22. Time axis for histogram (24- or 72-hour clock display).
23. Memory usage indicator
24. Moon phase indicator

Settings/adjustments

Set the time, date, units of measurement, limits and display lighting.

1. In normal mode, hold in [MODE/SET] for 3 seconds to enter the settings mode.
2. Press or hold in [CHANNEL/+] or [HISTORY/-] to change the value.
Confirm each stage with [MODE/ SET].
3. You can return to normal display mode at any time by pressing [SNOOZE/LIGHT] (12).



- **FMT:** Select either 12- or 24-hour time display (24-hour is default).
- **TIME:** Set the hours and minutes.
- **DATE:**
 - Set the order of how the day, month and year are displayed: **DDMMyy** or **MMDDyy**
 - Month setting
 - Day setting
 - Year setting
- **CLR:**
 - Select **ON** if you want the max/min readings to be set to zero every night (at midnight). “CLEARS 24” is shown in the display.
 - Select **OFF** if you wish to delete the saved readings manually. Refer to the *Clearing readings* section.
- **UNIT SET:**
 - Temperature: Set the unit of measurement in which the temperature is to be displayed: **°C** or **°F**
 - Wind speed: Set the unit of measurement in which the wind speed is to be displayed: **m/s**, **km/h**, **knots**, **mph** or **btF** (Beaufort scale)
 - Rain: Set the unit of measurement in which the rainfall is to be displayed (**mm** or **inches**)
 - Pressure: Set which unit of measurement the atmospheric pressure is displayed in (**hPa**, **inHg** or **mmHg**)

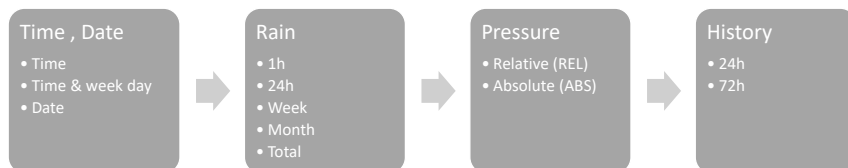
- **Threshold:**
 - WEATHER: Threshold value for positive and negative pressure changes: 2–4 mBar/h (default=2). A lower value makes weather forecast indications more sensitive to changes in pressure. In areas subject to large changes in pressure a higher value is recommended.
 - STORM: Threshold value for negative pressure changes: 3–9 mBar/h (default=4). A lower value makes storm warning indications more sensitive to changes in pressure. In areas subject to large changes in pressure a higher value is recommended. When the pressure has fallen constantly for 3 hours (The cloud & rain symbol will flash).
- **Forecast:** Weather forecast indication based on the current weather conditions. Selection options: sunny, partly cloudy, cloudy or rain (default=partly cloudy).

No	Colour	“OUT” Temp (°C)	“IN” Temp (°C)
1	White	<(-12.0)	<(14.5)
2	Pink	(-12.0)..(-6.5)	(14.5)..(16.0)
3	Purple	(-6.5)..(-1.0)	(16.0)..(17.5)
4	Blue	(-1.0)..(4.5)	(17.5)..(19.5)
5	Dark-blue	(4.5)..(10.0)	(19.5)..(21.0)
6	Dark-green	(10.0)..(15.5)	(21.0)..(23.0)
7	Green	(15.5)..(21.0)	(23.0)..(24.5)
8	Yellow	(21.0)..(26.5)	(24.5)..(26.0)
9	Orange	(26.5)..(32.0)	(26.0)..(27.0)
10	Red	(32.0)..(37.5)	(27.0)..(29.0)
11	Dark-red	>(37.5)	>(29.0)

- **REC:** Data measurement frequency: 16, 32, 48 sec or 1–240 min (default=30 min)
- **LED:** The backlight of the indoor unit display can change colour depending on the outside temperature (OUT) or indoor temperature (IN). Alternatively the colour can be fixed (USE) (default=OUT). Since the range of temperatures varies depending on where in the world one is the temperature range can be adjusted, refer to the table.
 - OUT
 - LOWER Set the limit for the lowest outdoor temperature (default= -12.2).
 - UPPER Set the limit for the highest outdoor temperature (default= 37.8).
 - IN
 - LOWER Set the limit for the lowest indoor temperature (default= 14.4).
 - UPPER Set the limit for the highest indoor temperature (default= 28.9).
 - USE Manual setting for the backlight: Select from 11 different colours.
 - BRIGHT Adjust the backlight brightness to a setting from 1 (min) to 8 (max).

Changing the display mode for the time/date and weather data.

1. In normal display mode, press [MODE/SET] repeatedly to select between time/date, rainfall, atmospheric pressure and histogram.
2. Press [CHANNEL/+] or [HISTORY/-] to change the display mode.
3. You can return to normal display mode at any time by pressing [SNOOZE/LIGHT].



- "TIME" Select between displaying time, time and day or date.
- "RAIN" Select whether to display the rainfall per hour, week, month or total rainfall.
- "PRESSURE" Select between display of relative or absolute atmospheric pressure. **REL** or **ABS** will appear on the display respectively.
- "HISTORY" Select either 24- or 72-hour clock display.

i Information about the atmospheric pressure

The weather station can display the atmospheric pressure in different ways, **ABS** absolute (actual pressure at current altitude) and **REL** relative (what the pressure would be at sea level).

- The relative value is used by meteorologists to be able to compare the atmospheric pressure at different locations.
- The normal atmospheric pressure at sea level varies depending on the geographical location but is usually approximately 1013.2 hPa. A pressure of under 990 hPa is regarded as low pressure and over 1020 hPa is regarded as high pressure.
- Since atmospheric pressure decreases with altitude, values for relative atmospheric pressures are generally higher than their absolute counterparts.

Sound settings for buttons and alarms

In normal mode, hold in [HISTORY/-] for 3 seconds to switch the sound on/off. **BUZZON** (On) or **BUZZOFF** (Off) will appear on the display respectively.

When the sound is switched off, no noise will be heard when buttons are pressed and any alarms emitted by the weather station will be silent (only the alarm symbols will flash).

Max/min

1. In normal display mode, press once on [MAX/MIN/ALARM]. **MAX** will appear on the display and the maximum recorded readings of the rainfall, wind speed, atmospheric pressure, temperature and humidity will be shown.
2. Press [MAX/MIN/ALARM] once more. **MIN** will appear on the display and the minimum recorded readings of the rainfall, wind speed, atmospheric pressure, temperature and humidity will be shown.

Pressing [HISTORY/-] while in max/min display mode will toggle between displaying the readings for the rainfall and the atmospheric pressure.

Clearing recorded readings

Note:

Clearing the saved max/min readings sets the readings of all the sensors to zero.

1. In normal mode, press [MAX/MIN/ALARM] repeatedly to select **MAX** or **MIN**.
2. Hold in [MODE/SET] for 3 seconds (CLR will flash) to clear the max and min readings respectively.

For automatic clearing of max/min readings every night at midnight, refer to the *Settings/adjustments* (CLR) section.

Rainfall

1. In normal display mode, press [MODE/SET] twice to select the display mode for rainfall.
2. Press repeatedly on [CHANNEL/+] or [HISTORY/-] to select the display mode.
3. Hold in [MODE/SET] for 3 seconds to clear the selected reading.

Memory

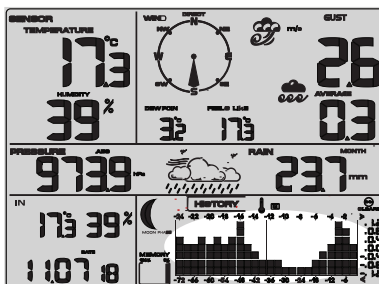
To clear the memory of the weather station, refer to the *Software (WeatherHome)* section.

Histogram, weather forecast and moon phase

Histogram

The weather station can display data recorded 24 or 72 hours back in time. Refer to the *Changing the display mode for the time/date and weather data* section.

The vertical axis of the graph shows the changes in the measured data over time compared with the current reading. The current reading (the column furthest to the right) always displays 0.



E.g. when looking at a temperature histogram: If the column shows 0.4 it represents a historical temperature 0.4 degrees higher than the current temperature.

In normal display mode, press [HISTORY/-] repeatedly to toggle between the following histograms:



Indoor temperature



Wind



Indoor humidity



Rainfall



Outdoor temperature



Atmospheric pressure

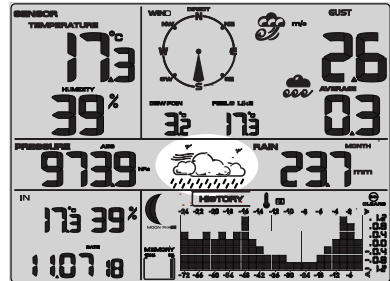


Outdoor humidity

Weather forecast

The weather station will measure the atmospheric pressure and generate a weather forecast for the coming 12–24 hours.

The following symbols will be displayed depending on the current changes in atmospheric pressure and the set limits (refer to the *Settings/adjustments* section).



Sun



Stars/moon



Sunny spells



Cloudy

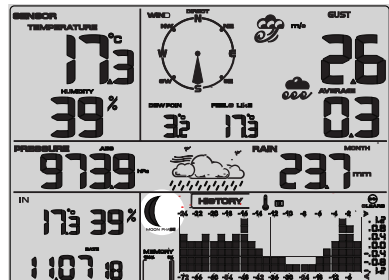


Rain

At night (between 19:00 and 07:00) the Stars/moon symbol will be shown instead of the Sun.

Phases of the moon

The displayed phase of the moon is based on the current date. The correct phase of the moon will only be shown if the correct date has been set, refer to the *Settings/adjustments* section.



Display backlight

Press [SNOOZE/LIGHT] to activate the display backlight.
The light will come on for 5 seconds.

Continuous backlight

1. Hold in the button for 2 seconds. The backlight will come on and **LED ON** will appear on the display.
2. Hold in the button again to switch the backlight off. **LED OFF** will show on the display.
 - If the indoor unit is running on battery power, the backlight is automatically switched off after 30 minutes to save power.
 - When the backlight is set to be on continuously, it can be dimmed by pressing [SNOOZE/LIGHT]. **BRIGHT 1** will appear on the display. Press the button once more to return to the set brightness level.


Adjusting the brightness

1. Press [SNOOZE/LIGHT] twice. "BRIGHT" appears on the display and the set brightness level will flash.
2. Press [CHANNEL/+] or [HISTORY/-] to change the brightness from 1 (dimpest) to 8 (brightest). Confirm your selection by pressing [MODE/SET].

For additional backlight settings, refer to the *Settings/adjustments* section.

Alarm

The weather station can be set to sound an alarm if the sensors measure weather conditions outside set limits.

When an alarm sounds the weather station will emit an audible signal and the alarm symbol  next to the data that is outside of the limits will flash.


The sound of the alarm can be switched off if only visible alerts are desired. Refer to the *Sound settings for buttons and alarms* section.

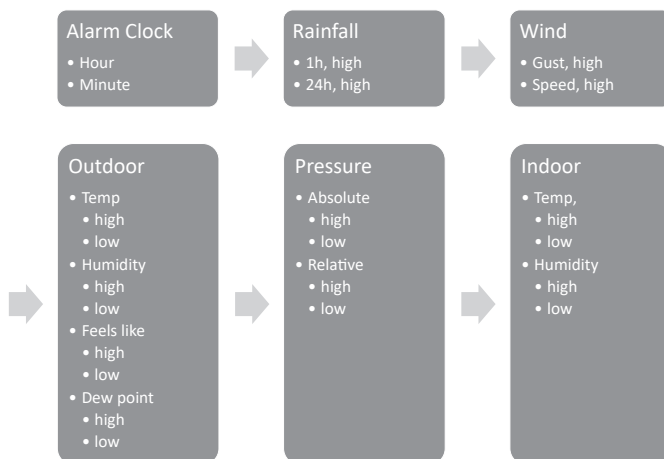
Viewing the set limits

1. In normal display mode, hold in [MAX/MIN/ALARM] for 3 seconds to enter the alarm mode. "HI" will be shown together with the set max value.
2. Press [MAX/MIN/ALARM] to display the set min value. "LOW" is shown on the display.
3. Press [SNOOZE/LIGHT] or wait 30 seconds to return to normal display mode.

When viewing the current set limits, press [MODE/SET] to change the display mode between relative (REL) or absolute (ABS) atmospheric pressure and 1 hour (1h) or 24 hours (24h) rainfall.

Setting the alarm

1. In normal display mode, hold in [MAX/MIN/ALARM] for 3 seconds. "HI" will appear on the display.
2. Hold in [MODE/SET] for 3 seconds to enter the alarm set mode.
3. Press or hold in [CHANNEL/+] or [HISTORY/-] to change the value.
4. Activate or deactivate the alarm by pressing [MIN/MAX/ALARM]. Select **ON** or **OFF**. The  symbol comes on to indicate that the alarm is activated.
5. Confirm each step with [MODE/ SET].
6. You can now return to normal display mode by pressing [SNOOZE/LIGHT] twice.



- **Alarm Clock:** Set the alarm clock (hours, minutes).
- **Rainfall:** Set the alarm limits for rainfall (1 hour "1h", 24 hours "24h")
- **Wind:** Set the alarm limit for the wind speed "GUST" and the average wind speed "AVERAGE"
- **Outdoor:** Set the upper "HI" and lower "LOW" alarm limits for the outdoor thermometer/hygrometer.
 - Temperature: Set the alarm limits for the outdoor temperature
 - Humidity: Set the alarm limits for the humidity
 - Feels like: Set the alarm limits for the perceived temperature
 - Dew point: Set the alarm limit for the dew point
- **Pressure:** Set the upper and lower alarm limits for the atmospheric pressure.
 - Absolute: Set the alarm limits for absolute pressure
 - Relative: Set the alarm limits for relative pressure
- **Indoor:** Set the upper and lower alarm limits for the indoor temperature and humidity
 - Absolute: Set the alarm limits for absolute pressure
 - Relative: Set the alarm limits for relative pressure

Snooze

- When the alarm sounds, press [SNOOZE/LIGHT] to temporarily mute the alarm for 5 minutes. The alarm symbol will continue to flash.
- To silence the alarm permanently, press one of these buttons; [CHANNEL/+], [MODE/SET], [MAX/MIN/ALARM] or [HISTORY/-].

Calibration

- If the weather station sensors provide incorrect readings they can be adjusted. In order to be able to calibrate the sensors precisely you will need to have reference readings from sensors or instruments that you know provide you with accurate readings.
 - Relative humidity readings are always in the range of 10–99 %. The weather station cannot be adjusted to accept readings outside this range.
1. Press [CHANNEL/+] or [HISTORY/-] to increase or decrease the selected value respectively. Holding in the button for 3 seconds will change the value quicker.
 2. Press [MAX/MIN/ALARM] to reset the adjusted value to zero.
 3. To finish the calibration and return to normal display mode, press [SNOOZE/LIGHT] or wait for 30 seconds.

Temperature

1. In normal display mode, press and hold in [MODE/SET] and [CHANNEL/+] at the same time for about 5 seconds to enter the calibration mode. The indoor temperature reading will start to flash.
2. Adjust the value to your reference value. The value can only be adjusted in increments of 0.1 °C. Confirm using [SET/MODE].
3. The outdoor temperature reading will start to flash. Adjust the values in the same way as in point 2.

Relative humidity

1. In normal display mode, press and hold in [MODE/SET] and [HISTORY/-] at the same time for about 5 seconds to enter the calibration mode. The indoor humidity reading will start to flash.
2. Adjust the value to your reference value. The value can be adjusted in increments of 1 %. Confirm using [SET/MODE].
3. The outdoor humidity reading will start to flash. Adjust the values in the same way as in point 2.

Wind speed, rain and atmospheric pressure

1. In normal display mode, press and hold in [MODE/SET] and [MAX/MIN/ALARM] at the same time for about 5 seconds to enter the calibration mode. The value for the wind speed calibration factor will begin to flash (*default=1*).
2. Adjust the factor to a value in the range 0.75–1.25 where:
calibrated wind speed = calibration factor x measured wind speed.
3. Press [MODE/SET] once more to adjust the value for the amount of rainfall. The value for the rainfall calibration factor will begin to flash (*default=1*).
4. Adjust the factor to a value in the range 0.75–1.25 where:
calibrated rainfall = calibration factor x measured rainfall.
5. Press [MODE/SET] once more to adjust the value for absolute atmospheric pressure. The absolute atmospheric pressure reading will start to flash.
6. Adjust the value to your reference value. The value can be adjusted in increments of 0.1 hPa.
7. Press [MODE/SET] once more to adjust the value for relative atmospheric pressure. The relative atmospheric pressure reading will start to flash.
8. Adjust the value to your reference value. The value can be adjusted in increments of 0.1 hPa.

Installation

Information

We recommend that you familiarise yourself with the indoor and outdoor units before you install them in their working locations. This will allow you to calibrate the sensors and test the operation of the weather station.

Choosing a location

Things to consider before choosing where to install the outdoor unit:

- The rain sensor should be cleaned every 3 months and the batteries should be replaced every year. Make sure that the outdoor unit is mounted in an accessible location.
- Make sure that the operation of the outdoor unit is not hindered by nearby structures such as trees and buildings. A rule of thumb is to install it at a distance of at least four times the height of nearby obstacles. E.g. if a nearby building is 6 m in height, the outdoor unit should be installed $4 \times 6 = 24$ m away from the building.
- Avoid radiant heat from surrounding buildings, roofs, etc.
- Test the operation of the outdoor unit in the intended location before installing it. The range can also be affected by the type of obstacles located between the indoor unit and the outdoor unit (e.g. a concrete wall will interfere with the signal more than a plasterboard wall).
- Other wireless equipment using the same frequency band (868.35 MHz) can reduce the transmission range.

If you experience range problems, try the following:

- Turn off any other existing wireless equipment to check whether this is the cause of the problem.
- Reduce the distance between the units.
- Reduce the number of obstacles (walls, furniture, etc) between the units.

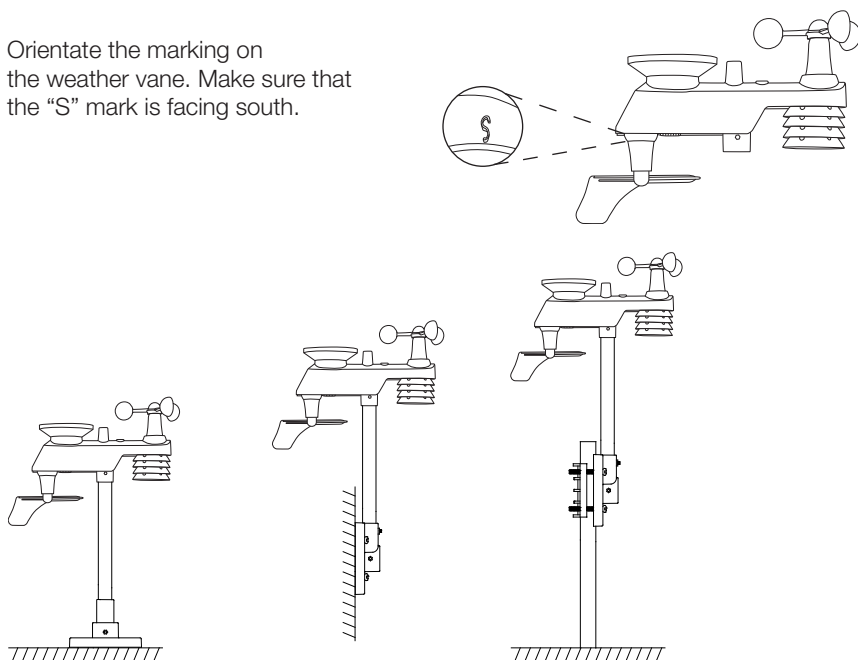
Indoor unit

- The indoor unit has built-in temperature, humidity and atmospheric pressure sensors. The unit should therefore not be positioned where it might be affected by heat from heaters, cookers, fireplaces or other sources of heat.
- Avoid placing the unit next to metal objects such as metal window frames as this may cause interference with reception.
- The indoor unit can be used with the table stand (21) or hung on a wall using the hanging hole (17).

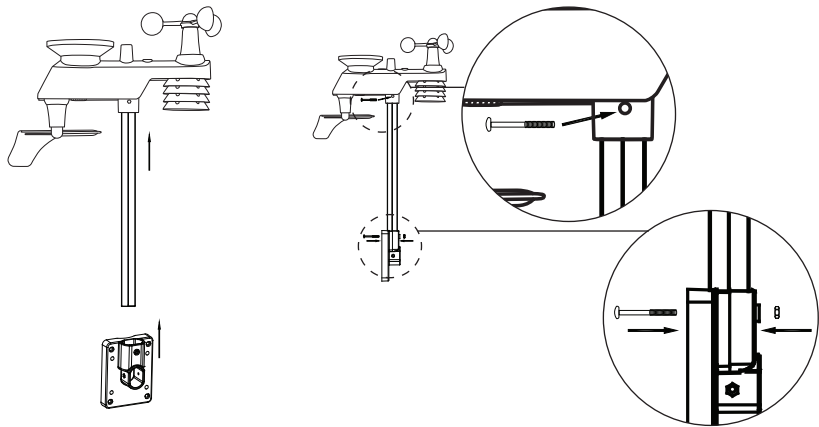
Outdoor unit

When you install the outdoor unit make sure that it is horizontal by using the built-in spirit level (27).

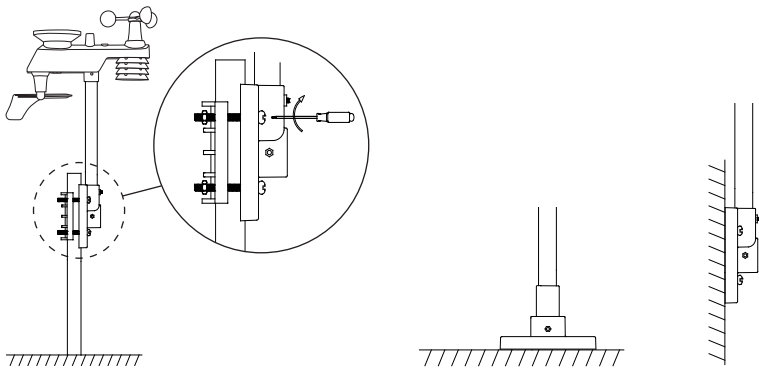
1. Orientate the marking on the weather vane. Make sure that the "S" mark is facing south.



2. Choose whether you are going to mount the sensor with the bracket horizontal, vertical or on a mast pole.



3. Fit together the outdoor unit, arm and bracket and fasten them using the M3 screws and nuts.



4. – When fastening the outdoor unit to a mast, use the M5 screws and nuts and attach the bracket to the mast pole using the mast attachment bracket.

- When mounting the bracket horizontally or vertically, use fasteners suitable for the mounting surface material.

Software (WeatherHome)

With the software Weather Home you can use a computer to view measurement data in real-time, set the indoor unit, set alarms and clear the max/min readings.

System requirements

Computer	PC with CD reader and available USB port
Operating system	Windows NT4 (Service Pack >= 6a), Windows 2000, Windows Vista, Windows 7–10
Processor	Pentium III 500 MHz or higher
Memory	Minimum 128 MB, recommended 256 MB

Installation

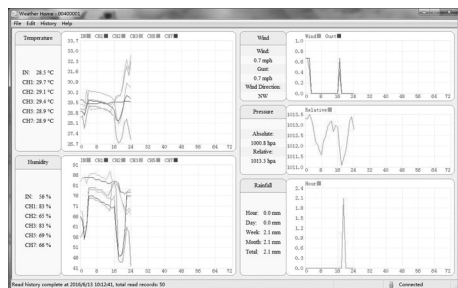
1. Connect the included USB cable to a vacant USB port on your computer and to the USB connection (18) on the indoor unit.
2. Make sure that you have administrator rights for the operating system.
3. Insert the supplied CD into your computer CD drive. If the installation does not start automatically: open the File Explorer file manager, localise the CD and run "*WeatherHome.exe*".
4. Follow the instructions in the installation program and install Weather Home.



Instructions for use

Open the program called **Weather Home**.

- The main page shows current readings and histograms.
- Display or hide graphs by clicking on the names above the graphs.

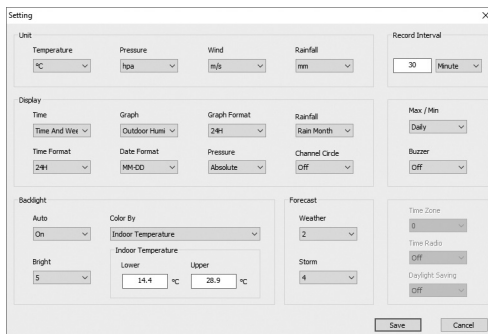


Menu

File	Exit	Exit Weather Home.
Edit	Setting	Settings for units of measurement, backlighting, display of measurement data, date format and more.
	Alarm	Activating/deactivating the alarm. Setting the alarm limits.
	Max/min	Display of max/min history
	Language	Setting the language.
History	View	Analysis and export of recorded measurement data (.csv or .pdf).
	History manage	Clearing of PC database and indoor unit memory.
Help	About WeatherHome	Shows which version of software is installed

Settings

The window shows current settings in the indoor unit. The settings determine how the measurement data is displayed. Make any desired setting changes and click [Save] to save or [Cancel] to exit without saving.



Unit	Settings for the units of measurement.
Display	Display settings for time and date (Time, Date), histogram (Graph) atmospheric pressure (Pressure), rainfall period (Rainfall) and choices for the rolling display of outdoor temp/hygrometer sensor (Channel Circle).
Backlight	Backlight setting on/off (Auto). Brightness setting (Bright) Choice of whether the colour of the display is to have one colour or change colour depending on the current outdoor/indoor temperature (Color By). Choice of colour scale (Color Index, Indoor/Outdoor Temperature), refer to the Settings/adjustments section.
Forecast	Limits for the weather forecast and storm warning, refer to the <i>Settings/adjustments</i> section.
Record Interval	Data measurement frequency.
Max/Min	Choice of whether the max/min readings are to be deleted automatically every day (Daily) or whether they are to be deleted manually (History).
Buzzer	Choice of whether the sound (button presses and alarms) is to be on or off.

Setting the alarm (Alarm)

Set the alarm limits and activate/deactivate the alarm. Make any desired changes and click [Save] to save or [Cancel] to exit without saving.

In the pictured example, the indoor unit will sound an alarm if the outdoor temperature exceeds 30 °C, the average wind speed exceeds 5 m/s and if the rainfall during one day exceeds 50 mm.

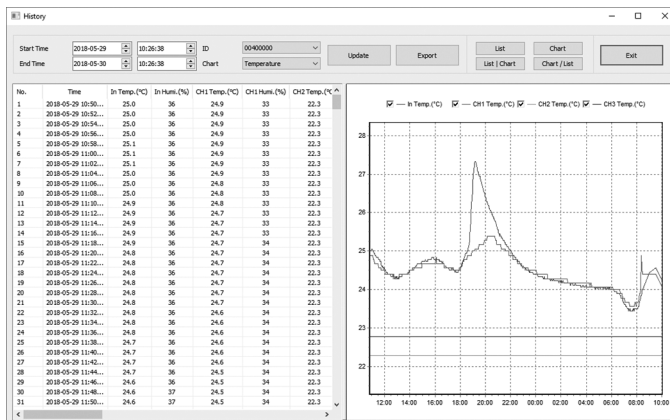
Highest and lowest measured readings (Max/Min)

The highest values are coloured red and the lowest blue.

- Press [Reset] to clear all the data.
- Press [Exit] to close the window.

Note: Clearing the saved max/min readings sets the readings of all the sensors to zero.

Viewing saved weather data (View)



When the indoor unit is connected to a computer and Weather Home is running, the memory of the unit is saved onto the program database.

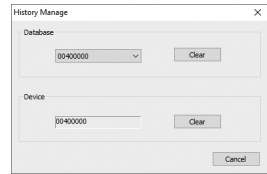
- To view the weather data for a chosen period:
 1. Set the start date and time.
 2. Set the finish date and time.
 3. Press [Update] to retrieve the data from the database.
- Select which type of data is to be shown on the scroll down list (Chart): temperature, humidity, atmospheric pressure, wind or rain.
- Display or hide graphs by ticking/unticking the respective boxes.
- Choose whether you wish the data to be displayed as a graph and/or in list form by selecting [List], [Chart], [List/Chart] or [Chart/List].
- Analyse graph:
 1. Enlarge a part of the graph by highlighting the area (hold in the left mouse button and drag the mouse down to the right).
 2. Scroll the graph by holding in the right mouse button and dragging the mouse sideways.
 3. Return to full view by holding in the left mouse button and dragging the mouse up to the left.
- Export data as .pdf or .csv (comma-separated text for viewing in Excel etc):
 1. Press [Export].
 2. Select the file type you want and where the file is to be saved. Press [Save].
 3. Press [Exit] to close the window.

Clearing the database and memory of the indoor unit (History Manage)

Select "History/History Manage" in the menu.

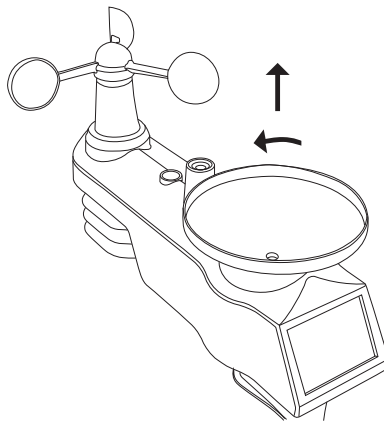
If you want to save the database before you clear it:

1. Localise the database WeatherHome.mdb.
(E.g. in Windows 10 it will be in the folder "C:\ProgramData\WeatherHome")
 2. Copy the database to another folder and/or rename it as e.g. "January 2019.mdb".
- Clear the database by pressing [Clear] Database.
 - Clear the memory of the indoor unit by pressing [Clear] Device.




Care and maintenance

- Clean the product by wiping it with a damp cloth. Use only mild cleaning agents, never solvents or corrosive chemicals.
- Remove the batteries if the weather station is not to be used for a long time. Old batteries can begin to leak and damage the product.
- Inspect and clean the rain sensor every 3 months or when required.



1. Turn the rain funnel in the direction of the arrow and lift it up to remove it.
2. Check that the rain gauge moves freely and that the drain holes (18) are unblocked.
3. Refit the rain funnel and turn it until it is seated properly.

Troubleshooting guide

<p>The outdoor unit sensors send no data to the indoor unit. "--.-" is displayed.</p>	<ul style="list-style-type: none"> • When the indoor unit has lost contact with a sensor "--.-" or "--" will appear on the display. To scan for the sensors: Hold in [CHANNEL/+] for 3 seconds. The  symbol will show for 3 minutes while the scanning takes place. When the connection is required, ** will show in the display for 3 seconds before showing the current value. • Check the distance between the indoor and outdoor unit. They should be 1.5–30 m apart. • Try placing the outdoor unit higher up. • Check that the outdoor unit LED indicator flashes every 16 seconds. • Insert new batteries into the outdoor unit. Lithium batteries are recommended for use in cold climates. • Check the batteries in the indoor unit are not discharged. Even if the indoor unit runs off the mains, discharged batteries may cause problems detecting the outdoor unit. • Make sure that the wireless signal is not disrupted by nearby metal structures. • Move the indoor unit away from other electronic devices such as routers, computers and TV sets.
<p>The temperature/humidity readings of the indoor and outdoor units are different when they are placed beside each other.</p>	<p>Let the sensors stabilise for an hour. The temperature readings should not differ more than 1 °C (accuracy ± 0.5 °C) and the humidity readings should not differ by more than 6 % (accuracy ± 3 %). Adjust the values in the indoor unit, refer to the <i>Calibration</i> section.</p>
<p>Poor display contrast.</p>	<p>Insert new batteries into the unit.</p>
<p>The display shows rain even when it is not raining.</p>	<p>Make sure that the outdoor unit is securely mounted. If the unit is not rigidly mounted, e.g. is attached to a loose mast pole, it may send erroneous readings.</p>

Responsible disposal

This symbol indicates that the product should not be disposed of with general household waste. This applies throughout the entire EU. In order to prevent any harm to the environment or health hazards caused by incorrect waste disposal, the product must be handed in for recycling so that the material can be disposed of in a responsible manner. When recycling your product, take it to your local collection facility or contact the place of purchase. They will ensure that the product is disposed of in an environmentally sound manner.



Specifications


Sensor data

Sensor	Measuring range	Accuracy	Resolution
Indoor temperature	0–60 °C	±0.5 °C	0.1 °C
Outdoor temperature	-40 to 60 °C	±0.5 °C	0.1 °C
Indoor humidity	10–99 %	±3 % (in the range 20–90 %)	1 %
Outdoor humidity	10–99 %	±3 % (in the range 20–90 %)	1 %
Rain	0–9999 mm	<15 mm: ±1 mm 15–9999 mm: ±7 %	<1000 mm (0.3 mm) >1000 mm (1 mm)
Wind direction	0–360°	8-point compass	45°
Wind speed	0–50 m/s	2–10 m/s: ±3 m/s 10–50 m/s: ±10 %	0.1 m/s
Atmospheric pressure	300–1100 hPa	±3 hPa	0.1 hPa

Wireless transmission

Frequency range	868.35 MHz
Range, open area	1000 m best case scenario 100 m average conditions

Indoor unit

Batteries	3 × LR03/AAA
Operating time	Approx. 12 months
Mains adapter	Input: 100–240 V AC, 50/60 Hz Output: 5.9 V, 500 mA 
Dimensions	157 × 210 × 26 mm

Outdoor unit

Update frequency	Every 16 seconds
Batteries	3 × LR6/AA
Operating time	Approx. 12 months (depending on weather conditions)
Dimensions	330 × 150 × 280 mm

Trådlös väderstation med USB

Art.nr 36-9231 Modell FT0203A

Läs igenom hela bruksanvisningen före användning och spara den sedan för framtida bruk. Vi reserverar oss för ev. text- och bildfel samt ändringar av tekniska data. Vid tekniska problem eller andra frågor, kontakta vår kundtjänst (se adressuppgifter på baksidan).

Innehållsförteckning

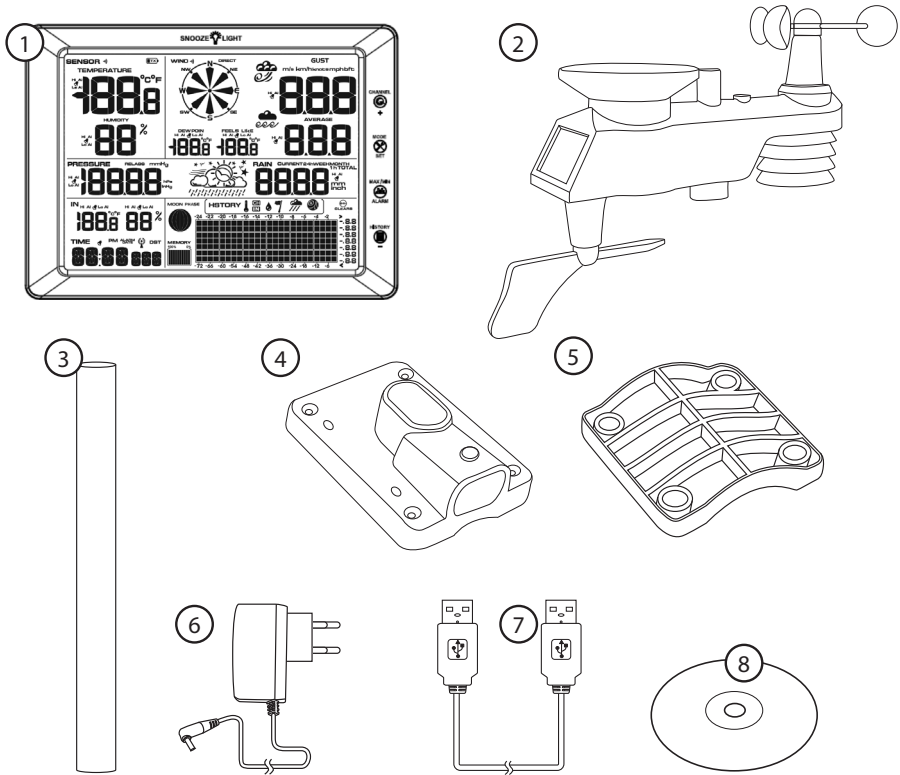
Säkerhet	33
Innehåll	34
Monteringssats	34
Produktbeskrivning	35
Inomhusenhet.....	35
Utomhusenhet.....	37
Installation	38
Sätt i batterier	38
Utomhusenhet.....	38
Inomhusenhet.....	38
Sök efter utomhusenhetens givare och kontrollera funktionen	39
Vindgivare	40
Regngivare	40
Termometer/hygrometer	40
Inomhusenhet	41
Display/symbolförklaring	41
Inställningar/justeringar	43
Max/min	46
Nollställa mätvärden	46
Histogram, väderprognos och månfaser	46
Bakgrundsbelysning	48
Alarm	48
Kalibrering.....	50

Slutgiltig montering.....	51
Val av plats	51
Programvara (Weather Home)	54
Systemkrav	54
Installation	54
Användning.....	54
Skötsel och underhåll	58
Felsökningsschema.....	59
Avfallshantering	60
Specifikationer	60
Givardata	60
Trådlös överföring	61
Inomhusenhet.....	61
Utomhusenhet.....	61

Säkerhet

- Inomhusenheten får inte utsättas för regn eller fukt.
- Produkten får inte demonteras eller modifieras på något sätt.
- Produkten är inte avsedd att användas som referens på något sätt och Clas Ohlson tar inte ansvar för skador som kan uppkomma på grund av felaktig visning eller avläsning.
- Eftersom utomhusenhetens solpanel inte laddar batterierna bör ej laddbara batterier användas. Använd alkaliska- eller litiumbatterier av god kvalitet. Blanda inte gamla och nya batterier, inte heller alkaliska med litium. Byt samtliga batterier vid batteribyte.
- Vid batteribyte av inomhusenheten raderas inspelad data (histogram) och lagrade max- och min.värden.
- Produkten får inte utsättas för stötar.
- Använd lämplig säkerhetsutrustning om du arbetar på tak vid montering av utomhusenheten.
- Vistas inte på taket om risk för åska föreligger.

Innehåll

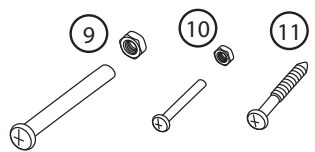


Svenska

1. Inomhusenhet
2. Utomhusenhet med givare för vindhastighet, vindriktning, nederbörd, temperatur och luftfuktighet
3. Arm för montering av utomhusenhet
4. Fäste för arm
5. Monteringsplatta till fäste vid rörmontage
6. Nätagadapter
7. USB-kabel
8. CD med programvara (WeatherHome)

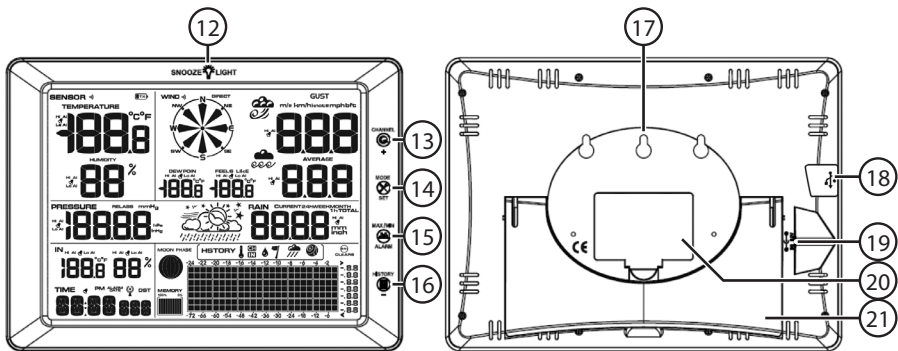
Monteringsats

9. Skruv och mutter (M5) till fäste vid rörmontage
10. Skruv och mutter (M3) till arm för utomhusenhet
11. Träskruv till fäste vid vägg/tak-montage

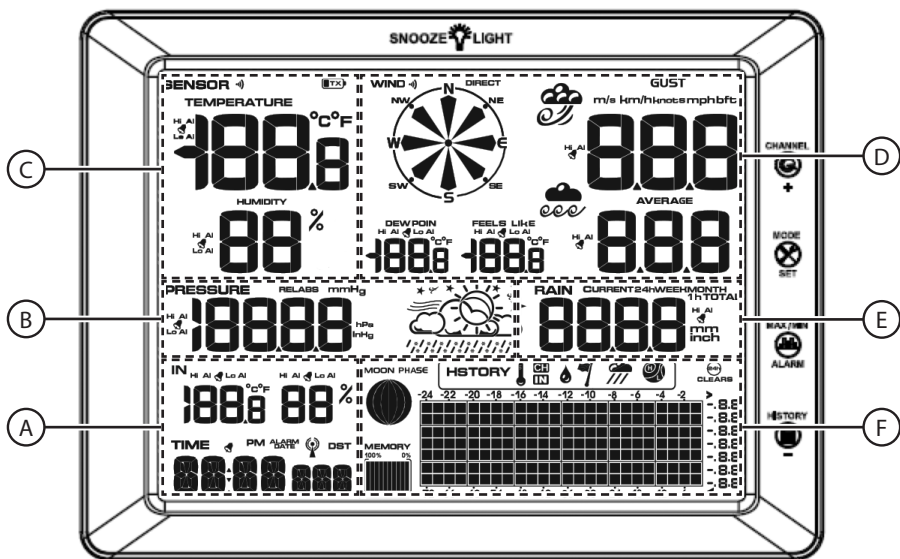


Produktbeskrivning

Inomhusenhet

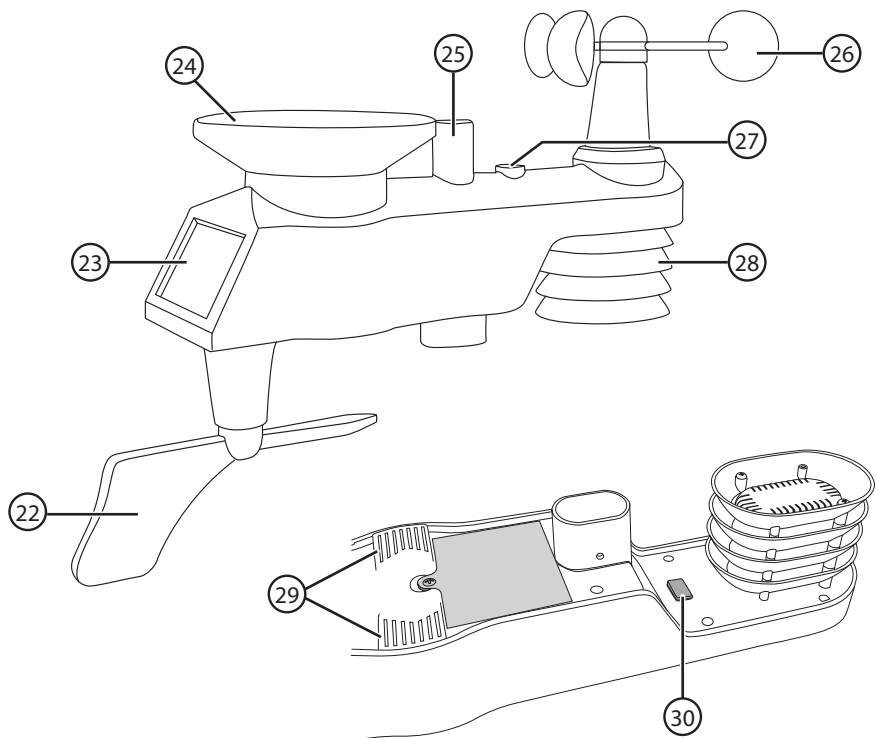


12. [SNOOZE/LIGHT]
Tryck för att aktivera snoozefunktion/ändra ljusstyrka.
Håll in för att slå på eller av displaybelysning.
13. [CHANNEL/+]
Tryck för att ändra värde/stega uppåt.
Håll in för att manuellt söka efter givare.
14. [MODE/SET]
Tryck för att ändra visningsläge/bekräfta val.
Håll in för att komma till inställningsläge.
15. [MAX/MIN/ALARM]
Tryck för att visa max/min-värden.
Håll in för att visa inställda larmgränser.
16. [HISTORY/-]
Tryck för att ändra värde/stega nedåt eller välja histogram.
Håll in för att ställa in alarm- och knappljud.
17. Väggfäste
18. USB-anlutning
19. DC 6.0 V
20. Batterilucka
21. Bordsstöd



- A) "IN" Temperatur och luftfuktighet inomhus
- "TIME" Tid/datum/veckodag
- B) "PRESSURE" Lufttryck och väderprognos
- C) "TEMPERATURE" Temperatur utomhus
- "HUMIDITY" Luftfuktighet utomhus
- D) "WIND" Vindriktning
- "GUST" Vindhastighet
- "AVERAGE" Medelvärde för vindhastighet
- "DEW POINT" Daggpunkt
- "FEELS LIKE" Upplevd temperatur
- E) "RAIN" Nederbörd
- F) "HISTORY" Grafisk historik (24- eller 72-timmarsvisning)
- "MOON PHASE" Månfaser

Utomhusenhet



22. Givare för vindriktning

23. Solpanel

24. Regnuppsamlare

25. Antenn

26. Givare för vindhastighet

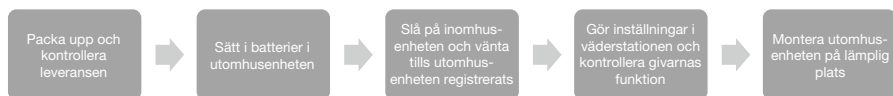
27. Libell

28. Givare för temperatur och luftfuktighet (Termometer/hygrometer)

29. Regnmätarens vattenavrinning

30. LED-indikator och [RESET]-knapp

Installation



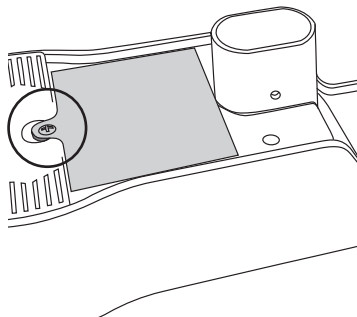
Sätt i batterier

△ Obs!

Sätt i batterier i utomhusenheten **innan** du slår på inomhusenheten. När inomhusenheten strömsätts påbörjas en automatisk sökning efter utomhusenhetens givare. När du sätter i batterier i enheterna, se märkningen i batterifacket så polariteten blir rätt.

Utomhusenhet


1. Skruva ur skruven som låser batteriluckan och ta bort den.
2. Sätt i 3 × AA/LR6-batterier. LED-indikatorn tänds i 3 sek och fortsätter sedan blinka var 16:e sek för att indikera när data sänds från enheten.
3. Om LED-indikatorn inte blinkar efter att batterierna satts i, tryck [RESET] för att nollställa enheten.
4. Sätt tillbaka batteriluckan och skruva åt skruven.



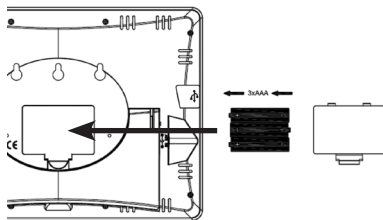
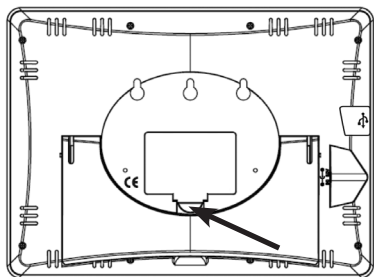
Svenska

Inomhusenhet

△ Obs!

- Se till att utomhusenheten är igång innan du slår på inomhusenheten.
- Se till att utomhusenheten är minst 1.5 m och max 30 m ifrån inomhusenheten. Om utomhusenheten är för nära eller för långt ifrån kan inomhusenheten få problem att ta emot signalerna.
- När inomhusenheten slås på påbörjas en automatisk sökning efter utomhusenhetens givare (ikonen  tänds). Tryck inte på några knappar förrän alla givare registrerats då detta avbryter sökningen.
- Inomhusenheten kan drivas antingen med batteri eller från elnätet via medföljande nätadapter.

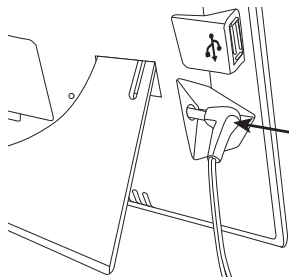
Batteridrift



1. Tryck in spärren och ta bort batteriluckan.
2. Sätt i 3 x AAA/LR03-batterier. Se märkningen i botten på batterihållaren så polariteten blir rätt.
3. Sätt tillbaka batteriluckan.

Nät drift

- Anslut nätadaptorn till anslutningen märkt DC 6.0 V och till ett 230 V vägguttag. AC ON visas i 3 sek på displayen.
- Om nätadaptorn dras ur och väderstationen går över till batteridrift visas AC OFF.
 - Kom ihåg att dra ut stickproppen ur vägguttaget vid kraftiga åskväder för att skydda väderstationen.



Sök efter utomhusenhetens givare och kontrollera funktionen

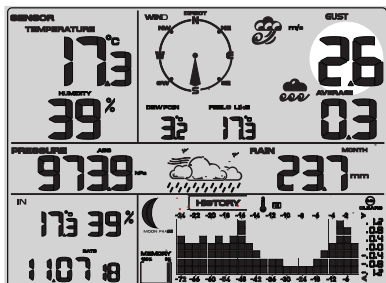
När inomhusenheten slås på påbörjas en automatisk sökning efter närliggande givare. Sökningen indikeras med 📶. När symbolen slocknat kan du testa givarnas funktion.

i Information

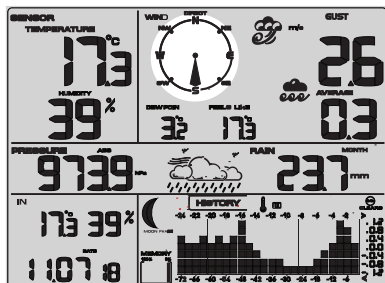
Om väderstationen under sökningen inte hittar, eller om den tappar kontakten med utomhusenheten, visas "--.-" i displayen. Sök efter givarna manuellt genom att:

I normalläge, håll in [CHANNEL/+] i 3 sek. "📶" tänds i displayen.

Vindgivare



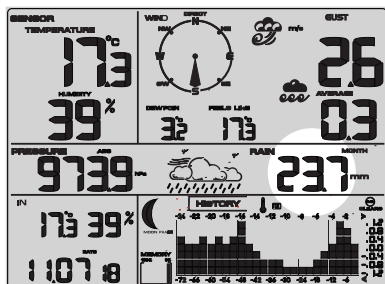
Testa givaren för vindhastighet genom att snurra på vindkopparna (26). Kontrollera att värdet ändras i displayen.



Testa givaren för vindriktning (22) genom att ändra dess läge. Kontrollera att riktningen ändras i displayen.

Regngivare

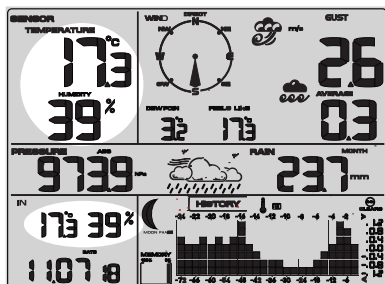
Vicka på utomhusenheten fram och tillbaka i sidled och lyssna efter ett tydligt klick. Varje klick representerar 0,3 mm i nederbörd. Kontrollera att värdet ändras i displayen.



Termometer/hygrometer

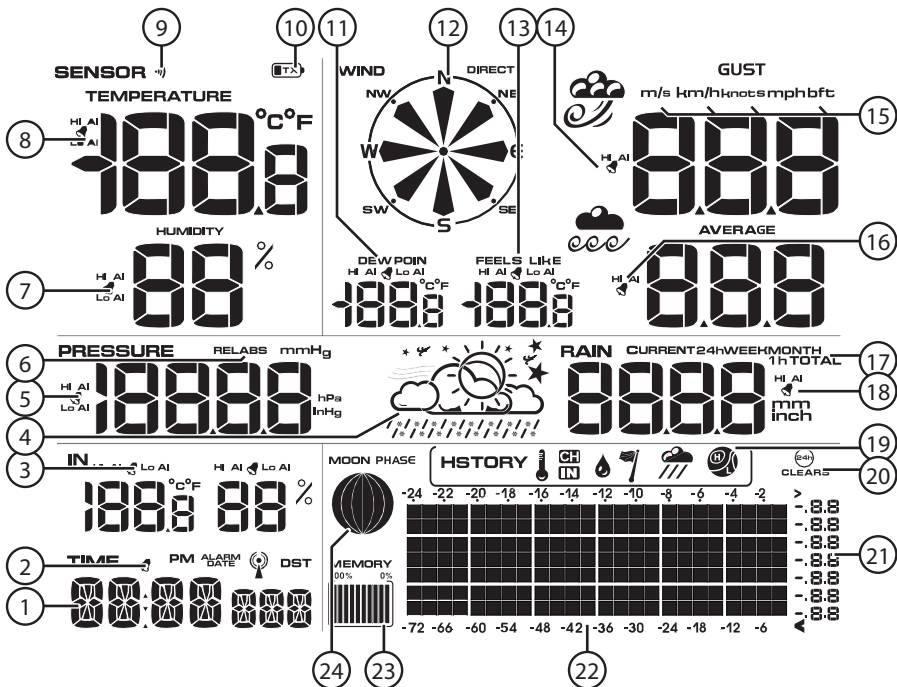
Lägg utomhusenheten i närheten av inomhusenheten och låt den ligga i ca 30 min så att temperaturen stabiliseras. Läs av värdena för temperatur och luftfuktighet och jämför dessa. Värdena för temperatur bör ligga inom 1 °C (noggrannhet ±0.5 °C) och värdena för luftfuktighet inom 6 % (noggrannhet ±3 %).

Ligger värdena utanför gränserna går det att justera i inomhusenheten. Se avsnitt *Kalibrering*.



Inomhusenhet

Display/symbolförklaring

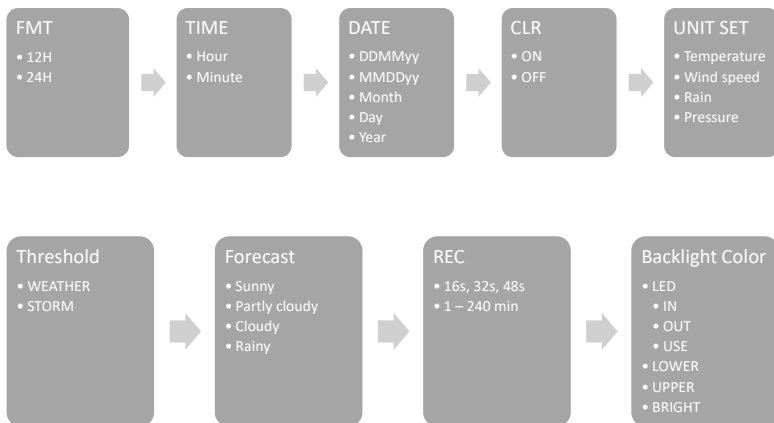


1. Tid/datum/veckodag.
2. Alarmikon för klocka.
3. Alarmikon för temperatur och luftfuktighet inomhus.
4. Väderprognos, stormvarning.
5. Alarmikon för lufttryck.
6. Indikerar visningsläge för relativt eller absolut lufttryck.
7. Alarmikon för luftfuktighet utomhus.
8. Alarmikon för temperatur utomhus.
9. Signalindikator för utomhusenhet. Tänds när mätdata tas emot samt vid sökning efter givare.
10. Låg batterinivå, utomhusenhet.
11. Alarmikon för daggpunkt.
12. Vindriktning
13. Alarmikon för upplevd temperatur.
14. Alarmikon för vindhastighet.
15. Mätenhet, vindhastighet
16. Alarmikon för genomsnittlig vindhastighet.
17. Mätperiod, nederbörd.
18. Alarmikon för nederbörd.
19. Indikator för valt histogram.
20. Indikator för automatisk nollställning av lagrade max/min-värden.
21. Mätskala för histogram.
22. Tidsaxel för histogram (24- eller 72-timmarsvisning).
23. Indikator för minnesanvändning.
24. Månfasindikator.

Inställningar/justeringar

Ställ in tid, datum, mätenheter, gränsvärden och bakgrundsbelysning.

1. I normalläge, håll in [MODE/ SET] i 3 sek för att komma till inställningsläge.
2. Tryck eller håll in [CHANNEL/+] eller [HISTORY/-] för att ändra värde. Bekräfta varje steg med [MODE/ SET].
3. Du kan när som helst återgå till normal visning genom att trycka [SNOOZE/LIGHT] (12).



- **FMT:** Välj mellan 12- eller 24-timmars tidvisning (default=24 tim).
- **TIME:** Inställning av timmar och minuter.
- **DATE:**
 - Ställ in i vilken ordning månad, dag och år ska visas: **DDMMyy** eller **MMDDyy**
 - Inställning av månad
 - Inställning av dag
 - Inställning av år
- **CLR:**
 - Välj **ON** om väderstationens max/min-värden ska nollställas automatiskt varje dygn (vid midnatt). "CLEARS 24" visas i displayen.
 - Välj **OFF** om de endast ska nollställas manuellt. Se avsnitt *Nollställa värden*.
- **UNIT SET:**
 - Temperature: Ställ in i vilken enhet temperaturen ska visas: °C eller °F
 - Wind speed: Ställ in i vilken enhet vindhastigheten ska visas: **m/s**, **km/h**, **knots**, **mph** eller **btf** (Beaufort-gradering)
 - Rain: Ställ in i vilken enhet nederbörden ska visas (**mm** eller **Inch**)
 - Pressure: Ställ in i vilken enhet lufttrycket ska visas (**hPa**, **inHg** eller **mmHg**)

- **Threshold:**
 - **WEATHER:** Justering av tröskelvärde för positiv och negativ tryckförändring: 2–4 mBar/tim (default=2). Lägre värde gör indikeringen för väderprognos känsligare för tryckförändringar. I områden där stora tryckvariationer förekommer rekommenderas ett högre värde.
 - **STORM:** Justering av tröskelvärde för negativ tryckförändring: 3–9 mBar/tim (default=4). Lägre värde gör indikeringen för stormvarning känsligare för tryckförändringar. I områden där stora tryckvariationer förekommer rekommenderas ett högre värde. När trycket konstant minskat 3 tim i sträck kommer stormvarningsindikeringen att aktiveras (Symbolen moln & regn blinkar).
- **Forecast:** Justering av väderprognosindikeringen baserat på aktuellt väderförhållande. Välj mellan: soligt, växlande molnighet, molnigt eller regn (default=växlande molnighet).
- **REC:** Inställning av inspelningsintervall: 16, 32, 48 sek eller 1–240 min (default=30 min).

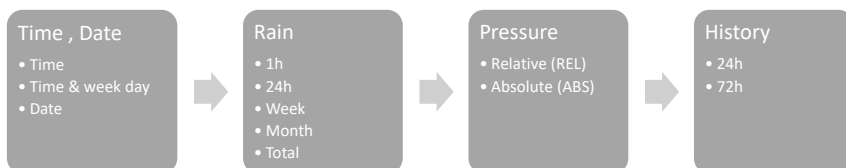
Nr.	Färg	"OUT" Temp (°C)	"IN" Temp (°C)
1	Vit	<(-12,0)	<(14,5)
2	Rosa	(-12,0)..(-6,5)	(14,5)..(16,0)
3	Lila	(-6,5)..(-1,0)	(16,0)..(17,5)
4	Blå	(-1,0)..(4,5)	(17,5)..(19,5)
5	Mörkblå	(4,5)..(10,0)	(19,5)..(21,0)
6	Mörkgrön	(10,0)..(15,5)	(21,0)..(23,0)
7	Grön	(15,5)..(21,0)	(23,0)..(24,5)
8	Gul	(21,0)..(26,5)	(24,5)..(26,0)
9	Orange	(26,5)..(32,0)	(26,0)..(27,0)
10	Röd	(32,0)..(37,5)	(27,0)..(29,0)
11	Mörkröd	>(37,5)	>(29,0)

- **LED:** Väderstationens bakgrundsbelysning kan ändra färg beroende på aktuell utomhustemperatur (**OUT**) eller inomhustemperatur (**IN**). Alternativt kan du välja en fast färg (**USE**) (default=OUT). I och med att temperaturspannet varierar beroende på var i världen man befinner sig så kan temperaturområdet justeras, se tabell.
 - **OUT**
 - LOWER Ställ in gränsvärdet för lägsta utomhustemperatur (default= -12,2).
 - UPPER Ställ in gränsvärdet för högsta utomhustemperatur (default= 37,8).

- IN
 - LOWER Ställ in gränsvärdet för lägsta inomhustemperatur (default= 14,4).
 - UPPER Ställ in gränsvärdet för högsta inomhustemperatur (default= 28,9).
 - USE Manuell inställning av bakgrundsfärg: Välj bland 11 olika färger.
 - BRIGHT Justera bakgrundsbelysningens ljusstyrka mellan 1 (min) till 8 (max).

Ändra visningsläge för tid/datum och mätvärden.

1. I normalläge, tryck [MODE/SET] upprepade ggr för att välja mellan tid/datum, nederbörd, lufttryck och histogram.
2. Tryck [CHANNEL/+] eller [HISTORY/-] för att ändra visningsläge.
3. Du kan när som helst återgå till normal visning genom att trycka [SNOOZE/LIGHT].



- "TIME" Välj mellan visning av tid, tid & veckodag eller datum.
- "RAIN" Välj visning per timme, dygn, vecka, månad eller total nederbörd.
- "PRESSURE" Välj mellan visning av relativt eller absolut lufttryck.
REL respektive **ABS** visas i displayen.
- "HISTORY" Välj mellan 24- eller 72-timmarsvisning.

i Information om lufttryck

Väderstationen kan visa lufttrycket på två olika sätt, **ABS** absolut (uppmätt) och **REL** relativ (justerad till havsnivå).

- Det relativa värdet används av meteorologer för att kunna jämföra lufttrycket på olika platser.
- Det normala lufttrycket vid havsytans nivå varierar beroende på det geografiska läget men ligger i snitt vid 1013,2 hPa. Lågtryck brukar anses ligga under 990 hPa och högtryck över 1020 hPa.
- I och med att lufttrycket minskar ju högre upp man befinner sig så är det relativa värdet generellt alltid högre än det absoluta värdet.

Ljudinställning för knappar och alarm

I normalläge, håll in [HISTORY/-] i ca 3 sek för att slå på eller av ljudet. **BUZZON** (på) respektive **BUZZOFF** (av) visas i displayen.

När ljudet är avstängt hörs inga knapptryckningar och väderstationen avger endast tysta alarm (alarmikonen blinkar).

Max/min

1. I normalläge, tryck en gång på [MAX/MIN/ALARM]. **MAX** visas i displayen samt max-värden för nederbörd, vindhastighet, tryck, temperatur och luftfuktighet.
2. Tryck ytterligare en gång på [MAX/MIN/ALARM]. **MIN** visas i displayen samt min-värden för tryck, temperatur och luftfuktighet.

Vid visning av max/min-värden, tryck [HISTORY/-] för att växla visningsläge mellan nederbörd och lufttryck.

Nollställa mätvärden

Max/min-värden

i Obs!

Vid nollställning av max/min nollställs de lagrade värdena för samtliga givare.

1. I normalläge, tryck upprepade gånger [MAX/MIN/ALARM] för att välja **MAX** eller **MIN**.
 2. Håll in [MODE/SET] i 3 sek (CLR blinkar) för att nollställa max- resp. min-värden.
- För automatisk nollställning av max/min-värden, se avsnitt *Inställningar/justeringar* (CLR).

Nederbörd

1. I normalläge, tryck 2 ggr på [MODE/SET] för att välja visningsläge för nederbörd.
2. Tryck upprepade ggr på [CHANNEL/+] eller [HISTORY/-] för att välja visningsläge.
3. Håll in [MODE/SET] i 3 sek för att nollställa valt värde.

Memory

För att rensa väderstationens minne, se avsnitt *Programvara* (WeatherHome).

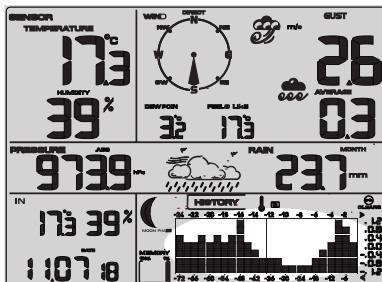
Histogram, väderprognos och månfaser

Histogram

Väderstationen kan visa inspelad mätdata 24 eller 72 tim tillbaka i tiden. Se avsnitt *Ändra visningsläge för tid/datum och mätvärden*.

Den vertikala axeln visar historiska förändringar jämfört med aktuellt mätvärde. Det aktuella mätvärdet (stapeln längst till höger) visar alltid 0.

Ex. vid visning av temperaturhistogram:
Om stapeln visar 0.4 representerar det en historisk temperatur 0.4 grader högre än aktuell temperatur.



I normalläge, tryck [HISTORY/-] upprepade ggr för att växla mellan följande histogram:



Temperatur inomhus



Vind



Luftfuktighet inomhus



Nederbörd



Temperatur utomhus



Luftryck

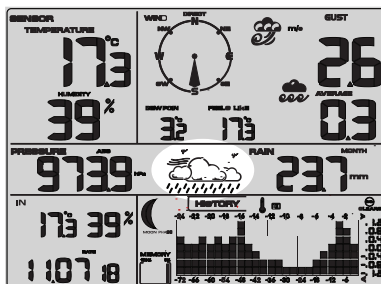


Luftfuktighet utomhus

Väderprognos

Väderstationen mäter luftrycket och ger en prognos för de närmaste 12–24 timmarna.

Följande symboler visas beroende på aktuell luftrycksförändring samt inställda gränsvärden (se avsnitt *Inställningar/justeringar*).



Sol



Stjärnor/måne



Växlande molnighet



Mulet

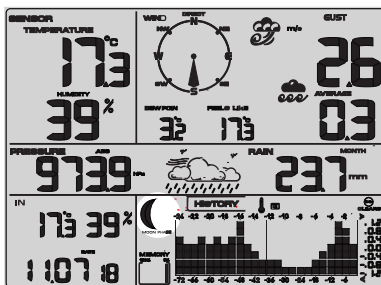


Regn

På natten (mellan kl.19:00 till 07:00) visas istället för Sol-symbolen Stjärnor/måne.

Månfaser

Visning av månfaser baseras på aktuell kalenderdatum. Kontrollera att rätt datum är inställt i avsnitt *Inställningar/justeringar*.



Bakgrundsbelysning

Tryck [SNOOZE/LIGHT] för att tända bakgrundsbelysningen. Belysningen lyser i 5 sek.

Konstant bakgrundsbelysning

1. Håll in knappen i 2 sek. Bakgrundsbelysningen tänds och **LED ON** visas i displayen.
2. Håll in knappen igen för att stänga av belysningen. **LED OFF** visas i displayen.
 - För att spara batteri vid batteridrift stängs bakgrundsbelysningen automatisk av efter 30 min.
 - För att dämpa bakgrundsbelysningen vid konstant belysning, tryck [SNOOZE/LIGHT]. **BRIGHT 1** visas i displayen. Tryck ytterligare en gång för att återgå till inställd nivå.


Justera ljusstyrkan

1. Tryck 2 ggr på [SNOOZE/LIGHT]. "BRIGHT" visas och inställd ljusstyrka blinkar.
2. Tryck [CHANNEL/+] eller [HISTORY/-] för att ändra ljusstyrkan, från **1** (svagast) till **8** (starkast). Bekräfta genom att trycka [MODE/SET].

För ytterligare inställningar av bakgrundsbelysning se avsnitt *Inställningar/justeringar*.

Alarm

Väderstationen kan ställas in att larma om givarna hamnar utanför satta gränsvärden.

När ett alarm aktiveras ljuder väderstationen och alarmikonen  blinkar vid det värde som ligger utanför gränsen.

Det går att permanent stänga av ljudet för att endast avge tysta alarm.


Se avsnitt *Ljudinställning för knappar och alarm*.

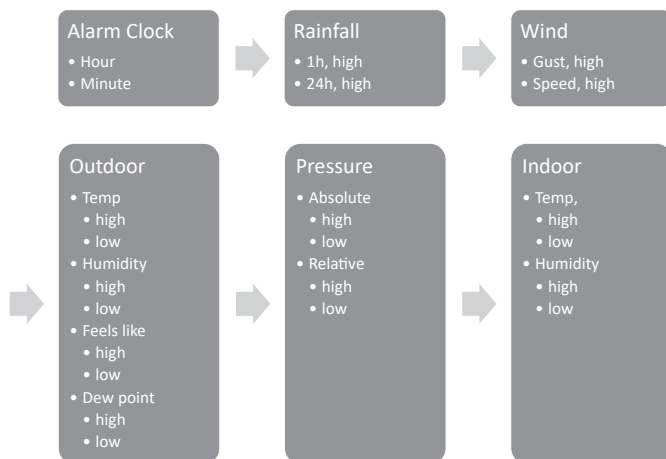
Visa aktuella gränsvärden

1. I normalläge, håll in [MAX/MIN/ALARM] i 3 sek för hamna i alarmläge. "HI" visas tillsammans med inställda max-värden.
2. Tryck [MAX/MIN/ALARM] för att visa inställda min-värden. "LOW" visas i displayen.
3. Tryck [SNOOZE/LIGHT] eller vänta 30 sek för att återgå till normal visning.

Vid visning av gränsvärden, tryck [MODE/SET] för att växla visningsläge mellan relativt (REL) eller absolut (ABS) lufttryck och 1 tim (1h) eller 24 tim (24h) nederbörd.

Inställning av alarm

1. I normalläge, håll in [MAX/MIN/ALARM] i 3 sek. "HI" visas i displayen.
2. Håll in [MODE/SET] i 3 sek för att hamna i inställningsläge för alarm.
3. Tryck eller håll in [CHANNEL/+] eller [HISTORY/-] för att ändra värde.
4. Aktivera/avaktivera aktuellt alarm genom att trycka [MAX/MIN/ALARM]. Välj **ON** (på) eller **OFF** (av). Symbolen  tänds för att indikera att larmet är aktiverat.
5. Bekräfta varje steg med [MODE/ SET].
6. Återgå till normal visning genom att trycka 2 ggr på [SNOOZE/LIGHT].



- **Alarm Clock:** Inställning av alarmklocka (timmar, minuter).
- **Rainfall:** Ställ in larmgräns för nederbörd (1 tim "1h", 24 tim "24h")
- **Wind:** Ställ in larmgräns för aktuell vindhastighet "GUST" och genomsnittlig vindhastighet "AVERAGE"
- **Outdoor:** Ställ in övre "HI" och undre "LOW" larmgränser för utomhus-termometern/hygrometern.
 - Temperature: Ställ in larmgränser för temperatur
 - Humidity: Ställ in larmgränser för luftfuktighet
 - Feels like: Ställ in larmgränser för upplevd temperatur
 - Dew point: Ställ in larmgräns för daggpunkt
- **Pressure:** Ställ in övre och undre larmgränser för lufttryck
 - Absolute: Ställ in larmgränser för absolut tryck
 - Relative: Ställ in larmgränser för relativt tryck
- **Indoor:** Ställ in övre och undre larmgränser för inomhusenhetens temperatur och luftfuktighet.
 - Absolute: Ställ in larmgränser för absolut tryck
 - Relative: Ställ in larmgränser för relativt tryck

Snooze

- När alarmet ljuder, tryck [SNOOZE/LIGHT] för att tillfälligt tysta larmet i 5 min. Alarmikonen fortsätter att blinka.
- För att permanent tysta larmet, tryck på någon av de övriga knapparna [CHANNEL/+], [MODE/SET], [MAX/MIN/ALARM] eller [HISTORY/-].

Kalibrering

- Om väderstationens givare visar felaktiga värden går de att finjustera. För att kunna kalibrera givarna exakt måste du ha referensvärden från mätare/givare du vet visar rätt.
 - Området för relativ luftfuktighet ligger alltid inom 10–99 %. Det går inte att justera värdet utanför det området.
1. Tryck [CHANNEL/+] eller [HISTORY/-] för att öka respektive minska valt värde. För att snabbare ändra värde, håll in knappen i 3 sek.
 2. Tryck [MAX/MIN/ALARM] för att nollställa justerat värde.
 3. För att avsluta kalibreringen och återgå till normal visning, tryck [SNOOZE/LIGHT] eller vänta i 30 sek.

Temperatur

1. Vid normal visning, tryck och håll in [MODE/SET] och [CHANNEL/+] samtidigt i ca 5 sek för att komma i kalibreringsläge. Värdet för inomhustemperatur börjar blinka.
2. Justera värdet till ditt referensvärde. Värdet kan ändras i steg om 0,1 °C. Bekräfta med [SET/MODE].
3. Värdet för utomhustemperatur börjar blinka. Justera på samma sätt som i punkt 2.

Relativ luftfuktighet

1. Vid normal visning, tryck och håll in [MODE/SET] och [HISTORY/-] samtidigt i ca 5 sek för att komma i kalibreringsläge. Värdet för luftfuktigheten inomhus börjar blinka.
2. Justera värdet till ditt referensvärde. Värdet ändras i steg om 1 %. Bekräfta med [SET/MODE].
3. Värdet för luftfuktigheten utomhus börjar blinka. Justera på samma sätt som i punkt 2.

Vindhastighet, regn och lufttryck

1. Vid normal visning, tryck och håll in [MODE/SET] och [MAX/MIN/ALARM] samtidigt i ca 5 sek för att komma i kalibreringsläge. Värdet för vindhastighetens kalibreringsfaktor börjar blinka (*default=1*).
2. Justera värdet mellan 0,75 till 1,25 där:
kalibrerad vindhastighet = kalibreringsfaktor x uppmätt vindhastighet.
3. Tryck [MODE/SET] ytterligare en gång för att justera värdet för regnmängd. Värdet för regnmängdens kalibreringsfaktor börjar blinka (*default=1*).
4. Justera värdet mellan 0,75 till 1,25 där:
kalibrerad regnmängd = kalibreringsfaktor x uppmätt regnmängd.
5. Tryck [MODE/SET] ytterligare en gång för att justera värdet för absolut lufttryck. Värdet för absolut lufttryck börjar blinka.
6. Justera värdet till ditt referensvärde. Värdet kan ändras i steg om 0,1 hPa.
7. Tryck [MODE/SET] ytterligare en gång för att justera värdet för relativt lufttryck. Värdet för relativt lufttryck börjar blinka.
8. Justera värdet till ditt referensvärde. Värdet kan ändras i steg om 0,1 hPa.

Slutgiltig montering

Information

Vi rekommenderar att du bekantar dig med inom- och utomhusenheten innan du monterar dem på sina slutgiltiga platser. Detta ger dig möjlighet att enkelt kalibrera givarna och testa väderstationens olika funktioner.

Val av plats

Innan du monterar utomhusenheten, tänk på följande:

- Regngivaren bör rengöras var 3:e månad och batterierna bör bytas ca 1 gång per år. Se till att du monterar utomhusenheten lättåtkomligt.
- Se till att utomhusenheten inte hindras av kringliggande träd eller byggnader. Tumregeln är att montera den med ett avstånd av minst 4 ggr höjden av närliggande hinder. Ex. om en byggnad är 6 m hög bör utomhusenheten monteras $4 \times 6 = 24$ m ifrån.
- Undvik strålningsvärme från kringliggande byggnader, tak etc.
- Prova utomhusenheten på dess tilltänkta plats innan den monteras upp. Räckvidden påverkas beroende av vilka hinder som finns mellan inom- och utomhusenheten (t.ex. en betongvägg dämpar signalen avsevärt mer än en gipsvägg).
- Annan befintlig trådlös utrustning på samma frekvensband (868.35 MHz) kan påverka räckvidden negativt.

Vid räckviddsproblem, prova följande:

- Stäng av övriga befintliga trådlösa utrustningar för att kontrollera om de kan vara orsaken till problemet.
- Minska avståndet mellan enheterna.
- Minska antalet hinder (väggar, möbler etc.) mellan enheterna.

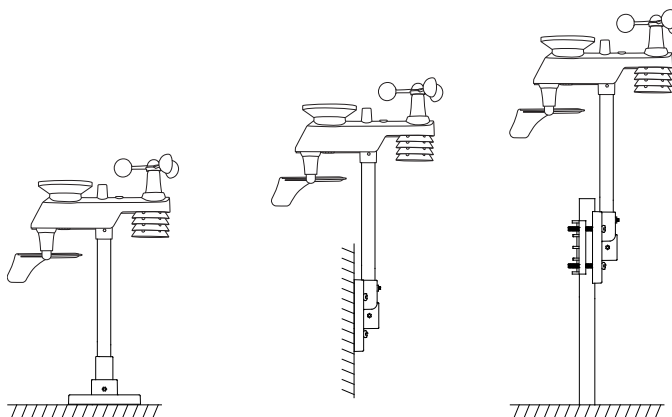
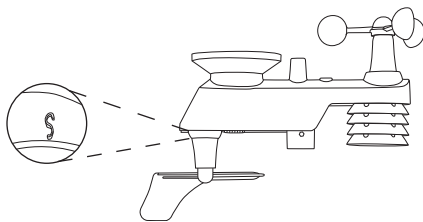
Inomhusenhet

- Inomhusenheten har inbyggda detektorer för temperatur, luftfuktighet och lufttryck. Placera därför enheten på sådant sätt att den inte utsätts för värme från element, spisar eller andra värmekällor.
- Undvik att placera enheten intill t.ex. fönsterkarmar av metall eftersom det kan störa radiomottagningen.
- Inomhusenheten kan användas med bordsstödet (21) eller väggmonteras genom att hängas upp på väggfästet (17).

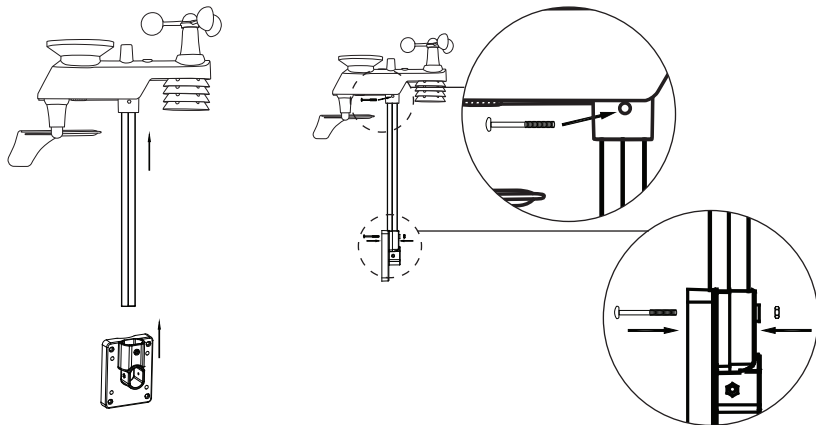
Utomhusenhet

När du monterar utomhusenheten. Se till att den hamnar i våg genom att kontrollera libellen (27).

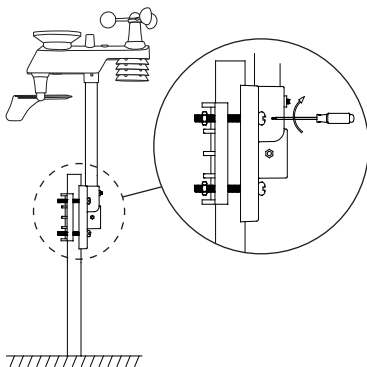
1. Lokalisera märkningen på vindgivarens undersida. Se till att märkningen "S" hamnar i riktning mot söder.



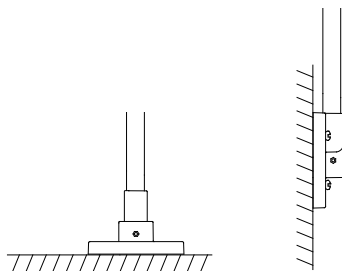
2. Välj om du ska montera givaren med fästet horisontalt, vertikalt eller på ett maströr.



3. Skjut ihop utomhusenheten, arm och fäste och skruva fast dem med skruv och mutter (M3).



4. - Vid montering på maströr, använd skruv och mutter (M5) och skruva fast fästet med monteringsplattan på röret.



- Vid horisontell eller vertikal montering, använd för underlaget lämplig fästmetod.

Programvara (Weather Home)

Med programmet Weather Home kan du med hjälp av en dator bl.a. se mätdata i realtid, göra inställningar i inomhusenheten, sätta alarm och nollställa max/min-värden.

Systemkrav

Dator	PC med CD-läsare och USB-port
Operativsystem	Windows NT4 (Service Pack >= 6a), Windows 2000, Windows Vista, Windows 7-10
Processor	Pentium III 500 MHz eller högre
Minne	minst 128 MB, rekommenderat 256 MB

Installation

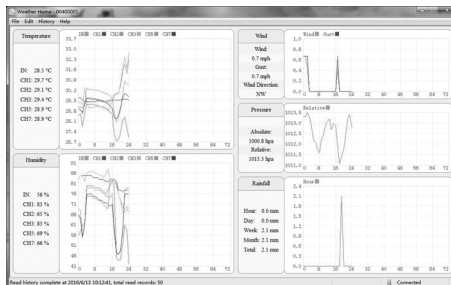
1. Anslut den medföljande USB-kabeln mellan datorn och inomhusenhetens USB-anslutning (18).
2. Se till att du har administratörsrättigheter för operativsystemet.
3. Sätt i den medföljande CD-skivan i datorn. Om installationsprogrammet inte startar automatiskt: öppna filhanteraren (utforskaren), lokalisera CD-skivan och kör "WeatherHome.exe".
4. Följ anvisningarna i installationsprogrammet och installera **Weather Home**.



Användning

Öppna programmet **Weather Home**.

- Huvudsidan visar aktuella mätvärden och histogram.
- Visa eller dölj grafer genom att klicka på benämningarna ovanför graferna.

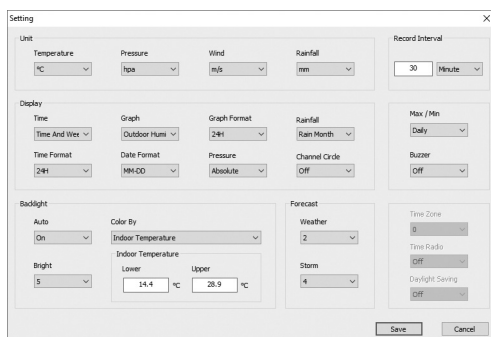


Meny

File	Exit	Avsluta Weather Home.
Edit	Setting	Inställning av måtenheter, bakgrundsbelysning, visning av mätdata, datumformat mm.
	Alarm	Aktivera/avaktivera alarm. Inställning av larmgränser.
	Max/min	Avläsning av max/min-historik.
	Language	Inställning av språk.
History	View	Analys och export av inspelad mätdata (.csv eller .pdf).
	History manage	Rensning PC-databas och av inomhusenhetens minne.
Help	About WeatherHome	Visa installerad programvaruversion.

Inställningar (Settings)

Fönstret visar aktuella inställningar i inomhusenheten. Här kan du på ett enkelt sätt ställa om hur mätdata ska presenteras på väderstationens display. Gör önskade inställningar och klicka därefter på [Save] för att spara eller på [Cancel] för att avbryta utan att spara.



Unit	Inställning av måtenheter.
Display	Displayinställningar för tid och datum (Time, Date), histogram (Graph), lufttryck (Pressure), regnperiod (Rainfall) och val för rullande visning av externa temp/hygrometergivare (Channel Circle).
Backlight	Slå på eller av bakgrundsbelysningen (Auto). Inställning av belysningens ljusstyrka (Bright). Välj om färgen ska vara fast eller om den ska ändra färg beroende på aktuell utomhus-/inomhus-temperatur (Color By). Inställning av färgskala (Color Index, Indoor-/Outdoor Temperature), se avsnitt Inställningar/justeringar.
Forecast	Justering av gränsvärden för väderprognos och stormvarning, se avsnitt Inställningar/justeringar.
Record Interval	Inställning av inspelningsintervall.
Max/Min	Välj om väderstationens max/min-värden ska nollställas automatiskt varje dygn (Daily) eller om de ska nollställas manuellt (History).
Buzzer	Välj om ljudet (knapptryckningar och alarm) på vara på eller av.

Inställning av alarm (Alarm)

Ställ in larmgränser och aktivera/avaktivera alarm. Gör önskade inställningar och klicka därefter på [Save] för att spara eller på [Cancel] för att avbryta utan att spara.

Alarm✕

	High		Low	
Indoor Temperature	<input type="checkbox"/>	20.0 °C	<input type="checkbox"/>	0.0 °C
Indoor Humidity	<input type="checkbox"/>	65 %	<input type="checkbox"/>	35 %
Outdoor Temperature	<input checked="" type="checkbox"/>	30.0 °C	<input type="checkbox"/>	-10.0 °C
Outdoor Humidity	<input type="checkbox"/>	75 %	<input type="checkbox"/>	45 %
Dew Point	<input type="checkbox"/>	10.0 °C	<input type="checkbox"/>	-10.0 °C
Feels Like	<input type="checkbox"/>	20.0 °C	<input type="checkbox"/>	0.0 °C

Absolute Pressure	<input type="checkbox"/>	1040.0 hpa	<input type="checkbox"/>	960.0 hpa
Relative Pressure	<input type="checkbox"/>	1040.0 hpa	<input type="checkbox"/>	960.0 hpa

High✕

Wind	<input checked="" type="checkbox"/>	5.0 m/s
Gust	<input type="checkbox"/>	10.0 m/s

Rain Hour	<input type="checkbox"/>	1.0 mm
Rain Day	<input checked="" type="checkbox"/>	50.0 mm

Alarm Time 00:00 ▲ ▼

SaveCancel

I exemplet kommer inomhusenheten larma om utomhustemperaturen överstiger 30 °C, genomsnittliga vindhastigheten överstiger 5 m/s och om nederbörden under en dag överstiger 50 mm.

Högsta och lägsta uppmätta mätvärden (Max/Min)

Max / Min✕

	Temperature		Humidity		Dew Point		Feels Like	
Indoor:	22.4 °C	21.0 °C	29 %	26 %				
Outdoor:	22.1 °C	21.3 °C	29 %	26 %	3.2 °C	1.1 °C	22.1 °C	21.3 °C

Pressure	Absolute: 955.3 hpa	949.5 hpa	Wind	Wind: 0 bft	Rainfall	Rain Hour: 0.04 in	Rain Week: 0.04 in
	Relative: 979.0 hpa	973.2 hpa		Gust: 1 bft		Rain Day: 0.04 in	Rain Month: 3.90 in

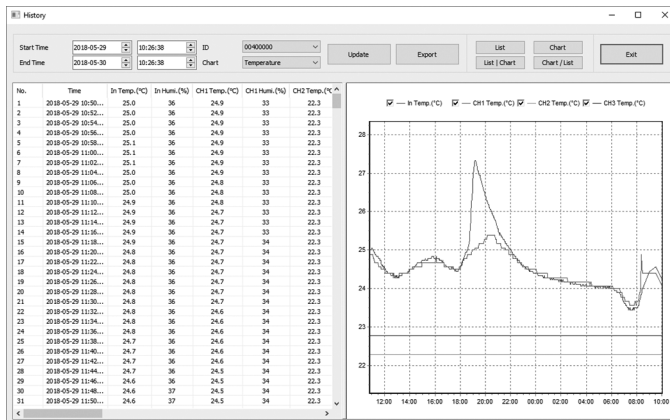
Max: ■Min: ■Daily Max/MinResetExit

De högsta värdena är markerade med rött och de lägsta med blått.

- Tryck [Reset] för att nollställa mätvärdena.
- Tryck [Exit] för att stänga fönstret.

i **Obs!** Vid nollställning av max/min nollställs de lagrade värdena för samtliga givare.

Visa inspelad väderdata(View)



När inomhusenheten är ansluten till datorn och Weather Home är igång sparas enhetens minne över till programmets databas.

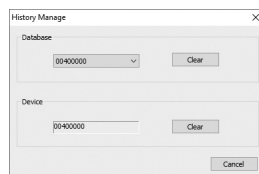
- För att se väderdata för en utvald period:
 1. Ställ in startdatum och tid.
 2. Ställ in slutdatum och tid.
 3. Tryck [Update] för att hämta mätvärden från databasen.
- Välj vilken typ av mätdata som ska visas i rullistan (Chart): temperatur, luftfuktighet, lufttryck, vind eller regn.
- Visa/dölj grafer genom att bocka i/ur rutorna vid respektive benämning.
- Välj om du vill att mätvärdena ska visas som grafer och/eller i listform genom att välja mellan [List], [Chart], [List/Chart] eller [Chart/List].
- Analysera graf:
 1. Förstora en del av grafen genom att markera området (håll in vänster musknapp och dra snett ner åt höger).
 2. Scrolla grafen genom att hålla in höger musknapp och dra musen i sidled.
 3. Återgå till full vy genom att hålla in vänster musknapp och dra snett upp åt vänster.
- Exportera data som .pdf eller .csv (kommaseparerad text för visning i Excel etc):
 1. Tryck [Export].
 2. Välj den filtyp du vill ha och var filen ska sparas. Tryck [Save].
 3. Tryck [Exit] för att stänga fönstret.

Rensa databas och inomhusenhetens minne (History Manage)

Välj "History/History Manage" i menyn.

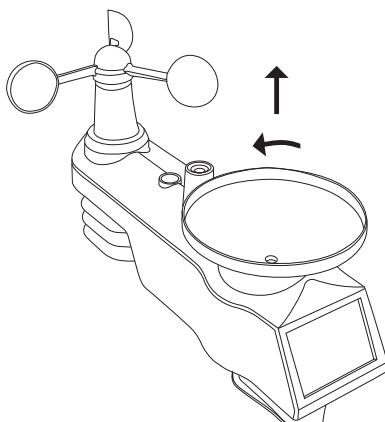
Om du vill spara databasen innan du rensar den:

1. Lokalisera databasen WeatherHome.mdb. (Ex. i Windows 10 ligger den i mappen "C:\ProgramData\WeatherHome").
 2. Kopiera databasen till en annan mapp och/eller döp om den till t.ex. "Januari 2019.mdb".
- Rensa databasen genom att trycka [Clear] Database.
 - Rensa inomhusenhetens minne genom att trycka [Clear] Device.




Skötsel och underhåll

- Rengör produkten med en lätt fuktad trasa. Använd ett mildt rengöringsmedel, aldrig lösningsmedel eller frätande kemikalier.
- Ta ur batterierna när väderstationen inte ska användas under en längre period. Gamla batterier kan börja läcka och skada produkten.
- Kontrollera och rengör regngivaren var 3:e månad eller vid behov:



1. Vrid regnuppsamlaren i pilens riktning och dra den sedan rakt upp.
2. Kontrollera att regnmätaren rör sig obehindrat och att avrinningen (29) är fri från föroreningar.
3. Sätt tillbaka regnuppsamlaren och vrid den på plats.

Felsökningsschema

<p>Utomhusenhetens givare sänder inget till inomhusenheten. Displayen visar "--.-".</p>	<ul style="list-style-type: none"> • När inomhusenheten tappat kontakten med en givare visas "--.-" eller "--" i displayen. För att söka efter givarna: Håll in [CHANNEL/+] i 3 sek. Ikonen  visas i tre minuter medan sökning sker. När anslutningen återupprättats visas ** i displayen i tre sekunder innan aktuellt mätvärde visas. • Kontrollera avståndet mellan inom- och utomhusenheten. Avståndet bör i normalfallet vara 1,5–30 m. • Prova att placera utomhusenheten högre upp. • Kontrollera att utomhusenhetens LED-indikator blinkar (var 16:e sek). • Sätt i nya batterier i utomhusenheten. I områden med kallt klimat rekommenderas litiumbatterier. • Kontrollera att batterierna i inomhusenheten inte är urladdade. Även om inomhusenheten drivs från elnätet så kan urladdade batterier orsaka problem med att hitta utomhusenheten. • Kontrollera att radiosignalen inte störs av intilliggande metallkonstruktioner etc. • Flytta inomhusenheten ifrån övriga elektroniska enheter så som routrar, datorer och TV-apparater.
<p>Inom- och utomhusenhetens temperatur/luftfuktighet visar olika när enheterna ligger bredvid varandra.</p>	<p>Låt givarna stabilisera sig i upp till en tim. Värdena för temperatur bör ligga inom 1 °C (noggrannhet ±0,5 °C) och värdena för luftfuktighet inom 6 % (noggrannhet ±3 %). Justera vid behov värdena i inomhusenheten, se avsnitt <i>Kalibrering</i>.</p>
<p>Displayens kontrast är dålig.</p>	<p>Sätt i nya batterier i enheten.</p>
<p>Displayen visar nederbörd fast det inte regnar.</p>	<p>Kontrollera att utomhusenheten är stabilt monterad. Om enheten inte sitter ordentligt, t.ex. på ett ostadigt maströr kan den sända felaktiga värden.</p>

Avfallshantering

Denna symbol innebär att produkten inte får kastas tillsammans med annat hushållsavfall. Detta gäller inom hela EU. För att förebygga eventuell skada på miljö och hälsa, orsakad av felaktig avfallshantering, ska produkten lämnas till återvinning så att materialet kan tas omhand på ett ansvarsfullt sätt. När du lämnar produkten till återvinning, använd dig av de returhanteringssystem som finns där du befinner dig eller kontakta inköpsstället. De kan se till att produkten tas om hand på ett för miljön tillfredställande sätt.



Specifikationer


Givardata

Givare	Mätområde	Noggrannhet	Upplösning
Temperatur inomhus	0–60 °C	±0,5 °C	0,1 °C
Temperatur utomhus	-40 till 60 °C	±0,5 °C	0,1 °C
Luftfuktighet inomhus	10–99 %	±3 % (mellan 20–90 %)	1 %
Luftfuktighet utomhus	10–99 %	±3 % (mellan 20–90 %)	1 %
Regn	0-9999 mm	<15 mm: ±1 mm 15-9999 mm: ±7 %	<1000 mm (0,3 mm) >1000 mm (1 mm)
Vindriktning	0–360 °	8-stegs kompass	45°
Vindhastighet	0–50 m/s	2–10 m/s: ±3 m/s 10–50 m/s: ±10 %	0,1 m/s
Lufttryck	300-1100 hPa	±3 hPa	0,1 hPa

Trådlös överföring

Frekvensområde	868.35 MHz
Räckvidd, öppen yta	1000 m vid optimala förhållanden 100 m normala förhållanden

Inomhusenhet

Batterier	3 × LR03/AAA
Drifttid	ca 12 mån
Nätadapter	In: 100–240 V AC, 50/60 Hz Ut: 5,9 V, 500 mA 
Mått	157 × 210 × 26 mm

Utomhusenhet

Uppdateringsintervall	Var 16:e sek
Batterier	3 × LR6/AA
Drifttid	ca 12 mån (väderberoende)
Mått	330 × 150 × 280 mm

Trådløs værstasjon med USB

Art.nr. 36-9231 Modell FT0203A

Les gjennom hele bruksanvisningen før produktet tas i bruk, og ta vare på den for fremtidig bruk. Vi tar forbehold om eventuelle feil i tekst og bilder, samt endringer av tekniske data. Ved tekniske problemer eller andre spørsmål, kontakt vårt kundesenter (se kontaktinformasjon på baksiden).

Innholdsfortegnelse

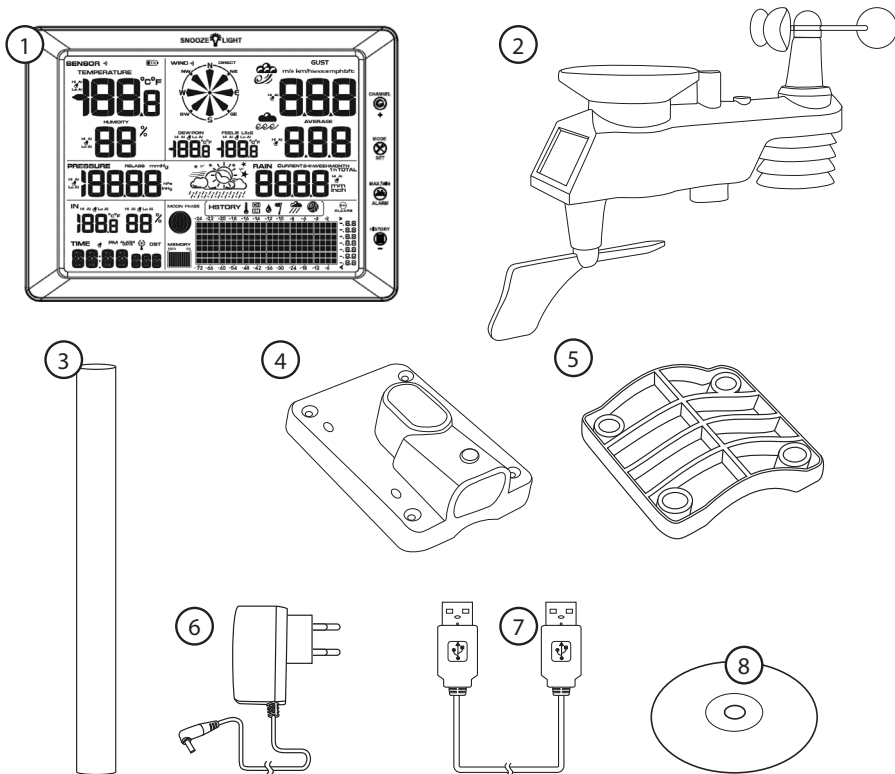
Sikkerhet	63
Innhold	64
Monteringssett.....	64
Produktbeskrivelse	65
Innendørsenhet.....	65
Utendørsenhet	67
Installasjon	68
Sett i batterier	68
Utendørsenhet	68
Innendørsenhet.....	68
Søk etter utendørsenhetens givere og kontroller funksjonen	69
Vindgiver.....	70
Regnsensor.....	70
Termometer/hygrometer	70
Innendørsenhet	71
Display/symbolforklaring	71
Innstillinger og justeringer.	73
Maks/min.....	76
Nullstill måleverdien	76
Histogram, værprognose og månefase.....	76
Bakgrunnsbelysning	78
Alarm.....	78
Kalibrering.....	80

Sluttmontering	81
Valg av sted.....	81
Programvare (Weather Home)	84
Systemkrav	84
Installasjon	84
Bruk.....	84
Vedlikehold.....	88
Feilsøking.....	89
Avfallshåndtering	90
Spesifikasjoner.....	90
Giverdata.....	90
Trådløs overføring.....	91
Innendørsenhet.....	91
Utendørsenhet	91

Sikkerhet

- Innendørsenheten må ikke utsettes for regn eller fuktighet.
- Produktet må ikke demonteres eller endres på.
- Produktet egner seg ikke som referanse på noen måte og Clas Ohlson tar ikke ansvar for skader som kan oppstå som følge av feil visning eller avlesing.
- Ettersom solpanelet til utendørsenheten ikke lader batteriene bør man ikke bruke ladbare batterier. Bruk alkaliske eller lithiumbatterier av god kvalitet. Bland ikke gamle og nye batterier. Bland heller ikke alkaliske og lithiumbatterier. Bytt til nye batterier ved behov.
- Ved batteribytte på innendørsenheten slettes innspilt data (histogram) og lagrede min- og maks-verdier.
- Produktene må ikke utsettes for støt.
- Bruk egnet sikkerhetsutstyr hvis du jobber i høyden ved montering av utendørsenheten.
- Ikke gå opp på taket hvis det er fare for torden.

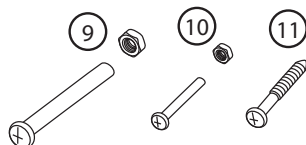
Innhold



1. Innendørsenhet
2. Utendørsenhet med giver for vindhastighet, vindretning, nedbør, temperatur og luftfuktighet.
3. Arm for montering av utendørsenhet
4. Feste for arm
5. Monteringsbrakett til feste ved rørmontering
6. Nettadapter
7. USB-kabel
8. CD-plate med programvare (WeatherHome)

Monteringssett

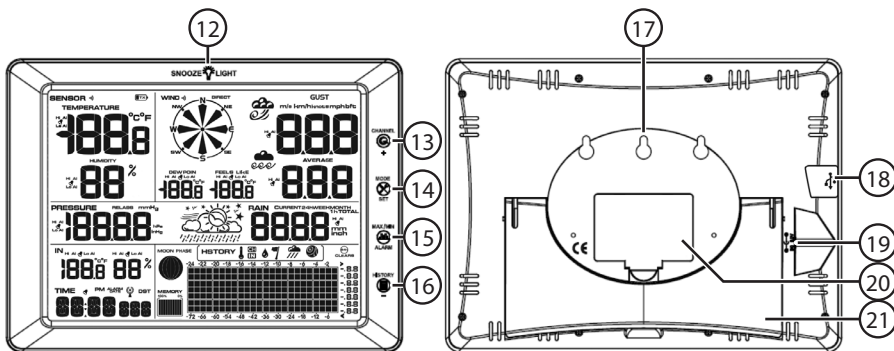
9. Skruer og mutter (M5) til feste for rør
10. Skruer og mutter (M3) til arm for utendørsenhet
11. Treskruer til feste ved vegg/tak-montasje



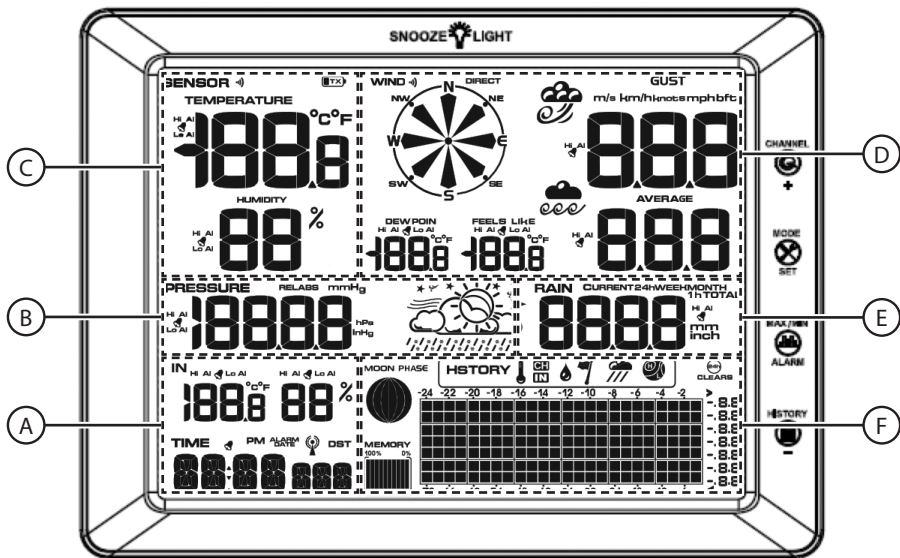
Norsk

Produktbeskrivelse

Innendørsenhet

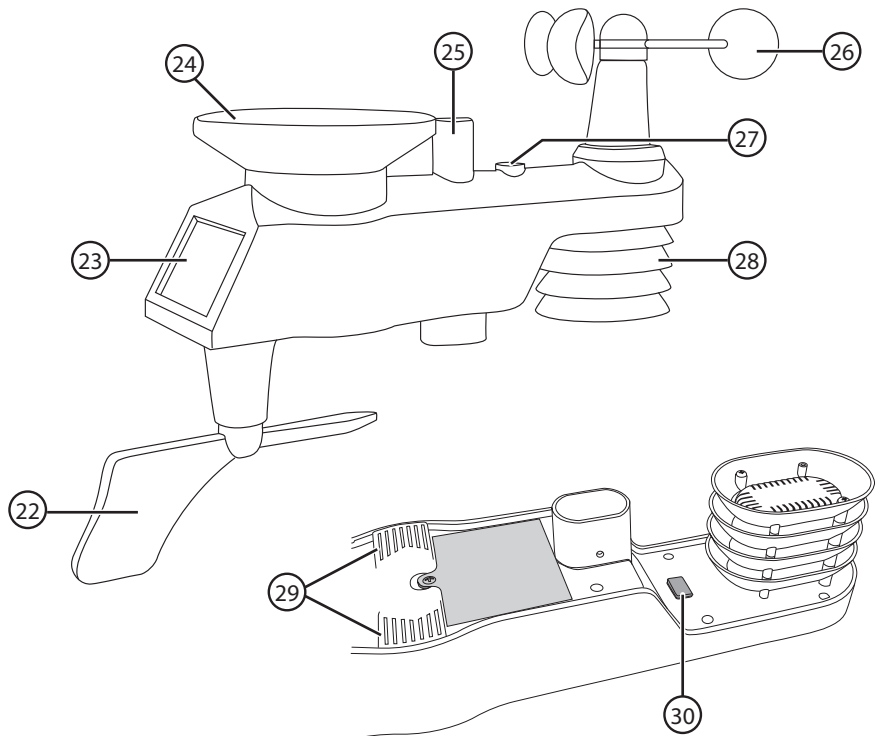


12. [SNOOZE/LIGHT]
Trykk for å aktivere snoozefunksjon/endre lysstyrke.
Hold inne for å slå på eller av displaybelysning.
13. [CHANNEL/+]
Trykk for å endre verdi/gå oppover.
Hold inne for å søke manuelt etter giverv.
14. [MODE/SET]
Trykk for å endre visningsmodus/bekreft valg.
Hold inne for å komme til innstillingsmodus.
15. [MAX/MIN/ALARM]
Trykk for å vise maks/min-verdiene.
Hold inne for å vise innstilte alarmgrenser.
16. [HISTORY/-]
Trykk for å endre verdi/gå nedover eller velge histogram.
Hold inne for å stille inn alarm- og tastelyd.
17. Veggfeste
18. USB-tilkobling
19. 6.0 V DC
20. Batterilokk
21. Bordstøtte



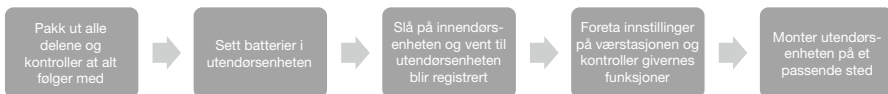
- A) "IN" Temperatur og luftfuktighet innendørs
"TIME" Tid/dato/ukedag
- B) "PRESSURE" Lufttrykk og værprognose
- C) "TEMPERATURE" Temperatur utendørs
"HUMIDITY" Luftfuktighet utendørs
- D) "WIND" Vindretning
"GUST" Vindhastighet
"AVERAGE" Middelerverdi for vindhastighet
"DEW POINT" Duggpunkt
"FEELS LIKE" Effektiv temperatur
- E) "RAIN" Nedbør
- F) "HISTORY" Grafisk historikk (24- eller 72-timersvisning)
"MOON PHASE" Månefaser

Utendørsenhet



- 22. Giver for vindretning
- 23. Solpanel
- 24. Regnopsamler
- 25. Antenne
- 26. Giver for vindhastighet
- 27. Libelle
- 28. Sensor for temperatur og luftfuktighet (Termometer/hygrometer)
- 29. Regnmålerens vannavrenning
- 30. LED-indikator og [RESET]-knapp

Installasjon



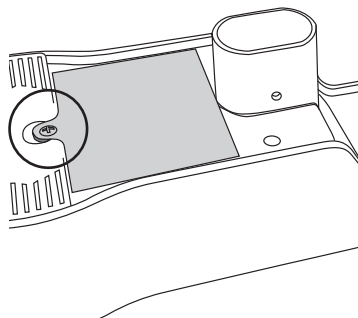
Sett i batterier

△ Obs!

Sett i batterier i utendørsenheten **før** du slår på innendørsenheten. Når innendørsenheten strømsettes starter et automatisk søk etter utendørsenhetens giver. Sørg for at du følger merkingen i batteriholderen når du setter i batteriene, slik at polariteten blir riktig.


Utendørsenhet

1. Skru ut skruen som låser batterilokket og løft det bort.
2. Plasser 3 × AA/LR6-batterier. LED-indikatoren tennes i 3 sek og fortsetter deretter å blinke hvert 16. sek for å indikere når det sendes data fra enheten.
3. Hvis LED-indikatoren ikke blinker etter at batteriene er på plass, trykk [RESET] for å nullstille enheten.
4. Sett på plass batterilokket igjen, og trekk til skruen.

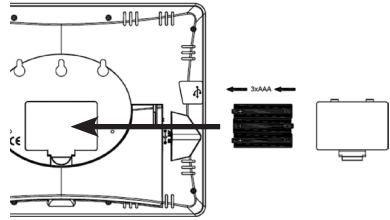
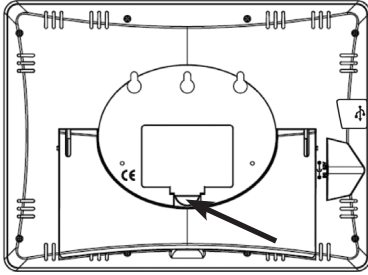


Innendørsenhet

△ Obs!

- Sørg for at utendørsenheten er i gang før du slår på innendørsenheten.
- Sørg for at utendørsenheten er minst 1,5 m og maks 30 m fra innendørsenheten. Hvis utendørsenheten er for nærme eller for langt unna kan innendørsenheten få problemer med å motta signalene.
- Når innendørsenheten strømsettes starter et automatisk søk etter utendørsenhetens giver (ikonet  tennes). Ikke trykk på noen knapper før alle givere er registrert ettersom dette avbryter søket.
- Innendørsenheten kan enten drives med batteri eller via strømmettet med den medfølgende nettadapteren.

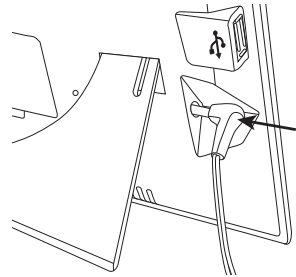
Batteridrift



1. Trykk inn sperren og fjern batterilokket.
2. Sett i 3 stk. AAA/LR03-batterier. Se merking for polaritet i bunnen av batteriholderen.
3. Sett lokket tilbake.


Nettdrift

- Nettadapteren kobles til uttaket merket DC 6.0 V og til et 230 V strømuttak. AC ON vises i 3 sek på displayet.
- Hvis nettadapteren kobles fra og værstasjonen går over til batteridrift vises AC OFF.
 - Husk å trekke støpselet ut fra strømuttaket ved kraftig tordenvær for å beskytte værstasjonen.




Norsk

Søk etter utendørsenhetsens givere og kontroller funksjonen

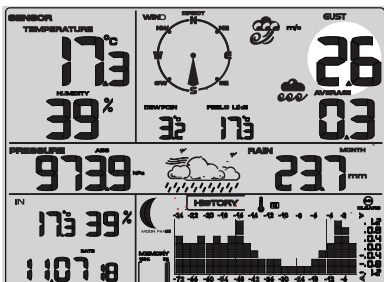
Når innendørsenheten slås på starter et automatisk søk etter nærliggende givere. Søket markeres med . Når symbolet slukkes kan du teste givernes funksjon.

Informasjon

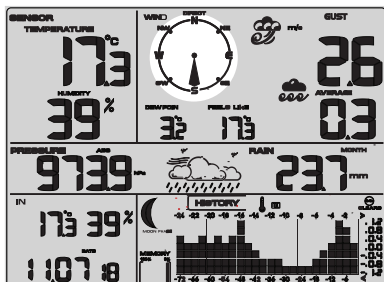
Hvis værstasjonen under søkingen ikke finner utendørsenheten eller mister kontakten med den, vises "--.-" i displayet. Søk etter givne manuelt slik:

I normalmodus, hold [CHANNEL/+] inne i 3 sek.  tennes i displayet.

Vindgiver



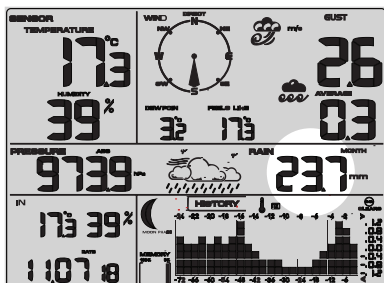
Test givern for vindhastighet ved å snurre vindkoppene rundt. Kontroller at verdien endres i displayet.



Test givern for vindretning ved å endre posisjonen på den. Kontroller at retningen endres i displayet.

Regnsensor

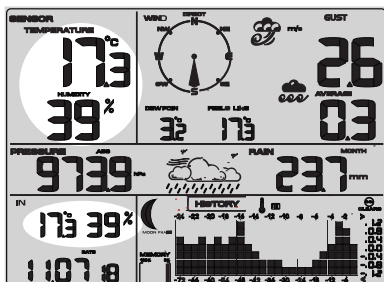
Rugg utendørsenheten fra side til side og lytt etter et tydelig klikk. Hvert klikk representerer 0,3 mm i nedbør. Kontroller at verdien endres i displayet.



Termometer/hygrometer

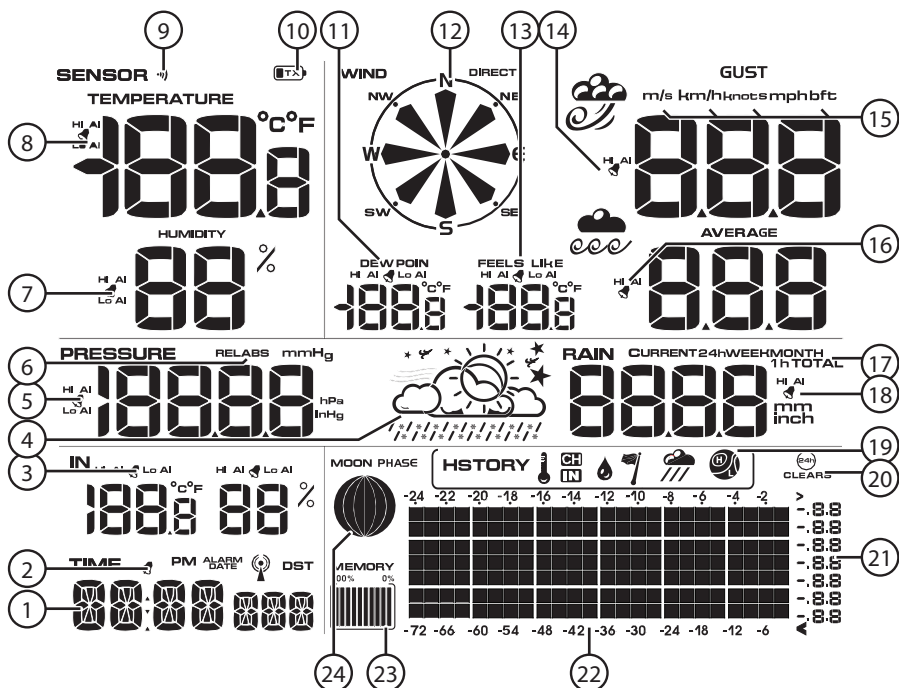
Legg utendørsenheten i nærheten av innendørsenheten og la den ligge i ca. 30 min slik at temperaturen stabiliseres. Les av verdiene for temperatur og luftfuktighet og sammenlign disse. Verdiene for temperatur bør ligge innenfor 1 °C (nøyaktighet ± 0.5 °C) og verdiene for luftfuktighet innenfor 6 % (nøyaktighet ± 3 %).

Hvis verdiene ligger utenfor grensene kan de justeres i innendørsenheten. Se avsnitt *Kalibrering*.



Innendørsenhet

Display/symbolforklaring



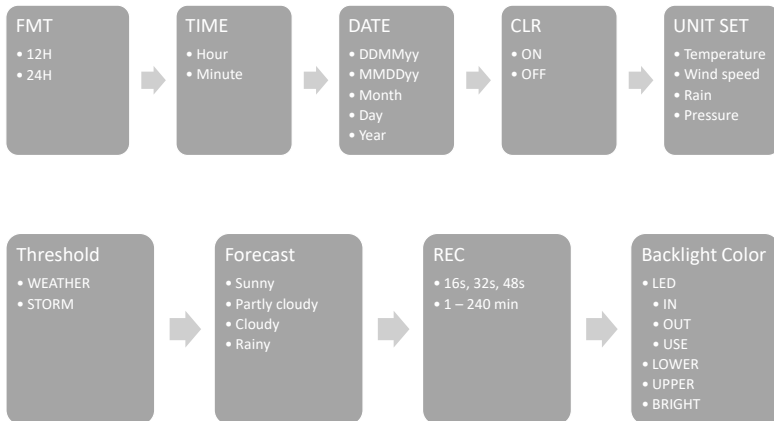
1. Tid/dato/ukedag
2. Alarmikon for klokke.
3. Alarmikon for temperatur og luftfuktighet innendørs.
4. Værprognose, stormvarsel.
5. Alarmikon for lufttrykk.
6. Indikerer visningsmodus for relativt eller absolutt lufttrykk.
7. Alarmikon for luftfuktighet utendørs.
8. Alarmikon for temperatur utendørs.
9. Signalindikator for utendørsenhet. Tennes når måledata mottas og ved søking etter giver.
10. Lavt batterinivå, utendørsenhet.
11. Alarmikon for duggpunkt.
12. Vindretning.
13. Alarmikon for opplevd temperatur.
14. Alarmikon for vindhastighet.
15. Måleenhet, vindhastighet.
16. Alarmikon for gjennomsnittlig vindhastighet.
17. Måleperiode, nedbør.
18. Alarmikon for nedbør.
19. Indikator for valgt histogram.
20. Indikator for automatisk nullstilling av lagret maks/min-verdi.
21. Måleskala for histogram.
22. Tidsakse for histogram (24- eller 72-timersvisning).
23. Indikator for minnebruk.
24. Månefaseindikator.

Norsk

Innstillinger og justeringer

Still inn klokkeslett, dato, måleenheter, grenseverdier og bakgrunnsbelysning.

1. I normalmodus, hold [MODE/SET] inne i 3 sek for å komme til innstillingsmodus.
2. Trykk eller hold [CHANNEL/+] eller [HISTORY/-] inne for å endre verdi. Bekreft hvert trinn med [MODE/SET].
3. Du kan når som helst gå tilbake til normal visning ved å trykke på [SNOOZE/LIGHT] (12).



- **FMT:** Velg mellom 12- eller 24-timers tidsvisning (24 timer er standardvalget).
- **TIME:** Innstilling av timer og minutter.
- **DATE:**
 - Still inn den rekkefølgen dag, måned og år skal vises i: **DDMMyy** eller **MMDDyy**
 - Innstilling av måned
 - Innstilling av dag
 - Innstilling av år
- **CLR:**
 - Velg **ON** hvis værstasjonens maks/min-verdi skal nullstilles automatisk hvert døgn (ved midnatt). "CLEARS 24" vises i displayet.
 - Velg **OFF** hvis de bare skal nullstilles manuelt. Se avsnitt *Nullstille måleverdier*.
- **UNIT SET:**
 - Temperature: Still inn hvilken enhet temperaturen skal vises i: °C eller °F.
 - Wind speed: Still inn hvilken enhet vindhastigheten skal vises i: **m/s, km/h, knots, mph** eller **btf** (Beauforts skala)
 - Rain: Still inn den enheten nedbøren skal vises i (**mm** eller **inch**)
 - Pressure: Still inn den enheten lufttrykket skal vises i (**hPa, inHg** eller **mmHg**)

- **Threshold:**
 - WEATHER: Justering av terskelverdier for positiv og negativ trykkforandring: 2–4 mBar/time (default=2). Lavere verdi gjør indikasjonen for værprognose mer følsom for trykkforandringer. I områder der det kan forekomme store trykkvariasjoner anbefales en høyere verdi.
 - STORM: Justering av terskelverdier for negativ trykkforandring: 3–9 mbar/time (default = 4). Lavere verdi gir indikeringen for stormvarsel mer følsom for trykkforandringer. I områder der det kan forekomme store trykkvariasjoner anbefales en høyere verdi. Når trykket har minsket konstant i 3 timer i strekk kommer stormvarselindikeringen til å bli aktivert (Symbolet sky & regn blinker).
- **Forecast:** Justering av værprognoseindikeringen er basert på aktuelt værforhold. Velg mellom: solfylt, vekslende skydekke, overskyet eller regn (default=vekslende skydekke).
- **REC:** Innstilling av innspillingsintervall: 16, 32, 48 sek eller 1–240 min (default=30 min).

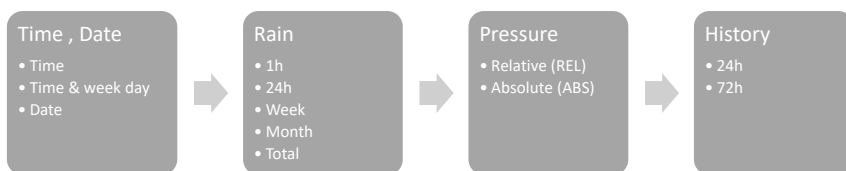
Nr.	Farge	"OUT" Temp (°C)	"IN" Temp (°C)
1	Hvit	<(-12,0)	<(14,5)
2	Rosa	(-12,0)..(-6,5)	(14,5)..(16,0)
3	Lilla	(-6,5)..(-1,0)	(16,0)..(17,5)
4	Blå	(-1,0)..(4,5)	(17,5)..(19,5)
5	Mørkeblå	(4,5)..(10,0)	(19,5)..(21,0)
6	Mørkegrønn	(10,0)..(15,5)	(21,0)..(23,0)
7	Grønn	(15,5)..(21,0)	(23,0)..(24,5)
8	Gul	(21,0)..(26,5)	(24,5)..(26,0)
9	Oransje	(26,5)..(32,0)	(26,0)..(27,0)
10	Rød	(32,0)..(37,5)	(27,0)..(29,0)
11	Mørkerød	>(37,5)	>(29,0)

- **LED:** Man kan endre farge på værstasjonens bakgrunnsbelysning avhengig av den aktuelle utendørstemperaturen (OUT) eller inomhustemperaturen (IN). Alternativt kan man velge en fast farge (**USE**) (default=OUT). I og med at temperaturspennet varierer avhengig av hvor i verden men er, så kan temperaturområdet justeres, se tabell.
 - OUT
 - LOWER Still inn grenseverdien for laveste utendørstemperatur (default= -12,2).
 - UPPER Still inn grenseverdien for høyeste utendørstemperatur (default= 37,8).

- IN
 - LOWER Still inn grenseverdien for laveste innendørstemperatur (default= 14,4).
 - UPPER Still inn grenseverdien for høyeste innendørstemperatur (default= 28,9).
 - USE Manuell innstilling av bakgrunnsfarge: Velg mellom 11 forskjellige farger.
 - BRIGHT Juster bakgrunnsbelysningens lystyrke mellom 1 (min) og 8 (maks).

Endre visningsmodus for klokkeslett/dato og måleverdi.

1. I normalmodus, trykk [MODE/SET] gjentatte ganger for å velge mellom klokkeslett/dato, nedbør, lufttrykk og histogram.
2. Trykk [CHANNEL/+] eller [HISTORY/-] for å endre visningsmodus.
3. Du kan når som helst gå tilbake til normal visning ved å trykke på [SNOOZE/LIGHT].



- "TIME" Velg mellom visning av klokkeslett, klokkeslett og ukedag eller dato.
- "RAIN" Velg visning per time, døgn, uke, måned eller total nedbør.
- "PRESSURE" Velg mellom visning av relativt eller absolutt lufttrykk. **REL** respektive **ABS** vises i displayet.
- "HISTORY" Velg mellom 24- eller 72-timersvisning.

i Informasjon om lufttrykk

Værstasjonen kan vise lufttrykket på to forskjellige måter, **ABS** absolutt (oppmålt) og **REL** relativ (justert til havnivå).

- Den relative verdien brukes av meteorologer for å kunne sammenlikne lufttrykket på forskjellige steder.
- Det normale lufttrykket ved havoverflatens nivå varierer avhengig av den geografiske posisjonen, men ligger gjennomsnittlig på 1013,2 hPa. Lavtrykket pleier å ligge under 990 hPa og høytrykket over 1020 hPa.
- I og med at lufttrykket minsker jo høyere oppe man befinner seg, så er den relative verdien generelt alltid høyere enn den absolute verdien.

Lydinnstilling for knapper og alarm

I normalmodus, hold [HISTORY/-] inne i ca. 3 sek for å slå på eller av lyden.

BUZZON (på) respektive **BUZZOFF** (av) vises i displayet.

Når lyden er skrudd av vil man ikke høre tastetrykkene og værstasjonen avgir kun stille alarm (alarmikonet blinker).

Maks/min

1. I normalmodus, trykk en gang på [MAX/MIN/ALARM]. **MAX** vises i displayet i tillegg til maks-verdiene for nedbør, vindhastighet, trykk, temperatur og luftfuktighet.
2. Trykk en gang til på [MAX/MIN/ALARM]. **MIN** vises i displayet i tillegg til min-verdiene for trykk, temperatur og luftfuktighet.

Ved visning av maks/min-verdier, trykk [HISTORY/-] for å skifte visningsmodus mellom nedbør og lufttrykk.

Nullstille måleverdiene

Maks/min-verdi

i Obs!

Ved nullstilling av maks/min nullstilles de lagrede verdiene for samtlige givere.

1. I normalmodus, trykk gjentatte ganger [MAX/MIN/ALARM] for å velge **MAX** eller **MIN**.
2. Hold [MODE/SET] inne i 3 sek (CLR blinker) for å nullstille maks- resp. min-verdien.

For automatisk nullstilling av maks/min-verdi, se avsnittet *Innstillinger/justeringer* (CLR).

Nedbør

1. I normalmodus, trykk 2 ganger på [MODE/SET] for å velge visningsmodus for nedbør.
2. Trykk gjentatte ganger på [CHANNEL/+] eller [HISTORY/-] for å velge visningsmodus.
3. Hold [MODE/SET] inne 3 sek for å nullstille valgt verdi.

Memory

For å tømme værstasjonens minne, se avsnittet *Programvare (WeatherHome)*.

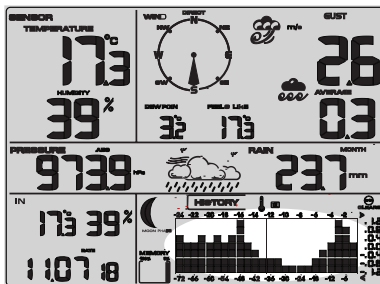
Histogram, værprognose og månefase

Histogram

Værstasjonen kan vise innspilt måledata 24 eller 72 timer tilbake i tid. Se avsnittet *Endre visningsmodus for tid/dato og måleverdi*.

Den vertikale akselen viser historiske forandringer sammenliknet med aktuell måleverdi. Den aktuelle måleverdien (stapelen lengst til høyre) viser alltid 0.

Eks. ved visning av temperaturhistogram:
Hvis stapelen viser 0,4 representerer det en historisk temperatur på 0,4 grader høyere enn aktuell temperatur.



I normalmodus, trykk [HISTORY/-] gjentatte ganger for å velge mellom følgende histogram.

 Temperatur innendørs

 Vind

 Luftfuktighet innendørs

 Nedbør

 Temperatur utendørs

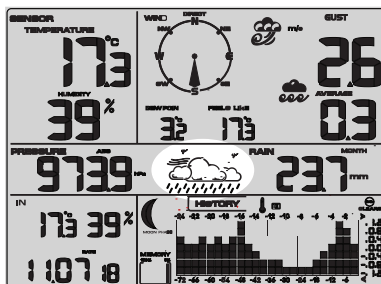
 Lufttrykk

 Luftfuktighet utendørs

Værprognose

Værstasjonen måler lufttrykket og gir en prognose for de nærmeste 12–24 timene.

Følgende symboler vises avhengig av aktuell lufttrykksendring samt innstilte grenseverdier (se avsnitt Innstillinger/justeringer).



Sol



Stjerner/måne



Vekslende skydekke



Overskyet

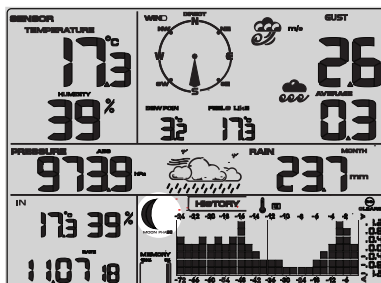


Regn

Om natten (mellom kl. 19.00 og 07.00) vises Stjerner/måne istedenfor Sol.

Månefaser

Visning av månefaser baseres på aktuell kalenderdato. Kontroller at riktig dato er innstilt i avsnittet *Innstillinger/justeringer*.



Bakgrunnsbelysning

Trykk [SNOOZE/LIGHT] for å tenne bakgrunnsbelysningen. Belysningen lyser i 5 sek.

Konstant bakgrunnsbelysning

1. Hold knappen inne i 2 sek. Bakgrunnsbelysningen tennes og **LED ON** vises i displayet.
2. Hold knappen inne igjen for å skru av belysningen. **LED OFF** vises i displayet.
 - For å spare batteriene ved batteridrift skrur bakgrunnsbelysningen automatisk av etter 30 min.
 - For å dempe bakgrunnsbelysningen ved konstant belysning, trykk [SNOOZE/LIGHT]. **BRIGHT 1** vises i displayet. Trykk inn nok en gang for å gå tilbake til innstilt nivå.

Justering av lysstyrken

1. Trykk 2 ganger på [SNOOZE/LIGHT]. "BRIGHT" vises og innstilt lysstyrke blinker.
2. Trykk [CHANNEL/+] eller [HISTORY/-] for å endre lysstyrken fra **1** (svakest) til **8** (sterkest). Bekreft ved å trykke på [MODE/SET].

For ytterligere innstillinger av bakgrunnsbelysning, se avsnittet *Innstillinger/justeringer*.

Alarm

Værstasjonen kan stilles inn på å alarmere hvis givene havner utenfor innstilt grenseverdi.

Når en alarm aktiveres varsler værstasjonen og alarmikonet  blinker ved den verdien som ligger utenfor grensen.


Lyden kan stenges permanent så all varsling foregår uten lyd. Se avsnittet *Lyddinnstilling for knapper og alarm*.

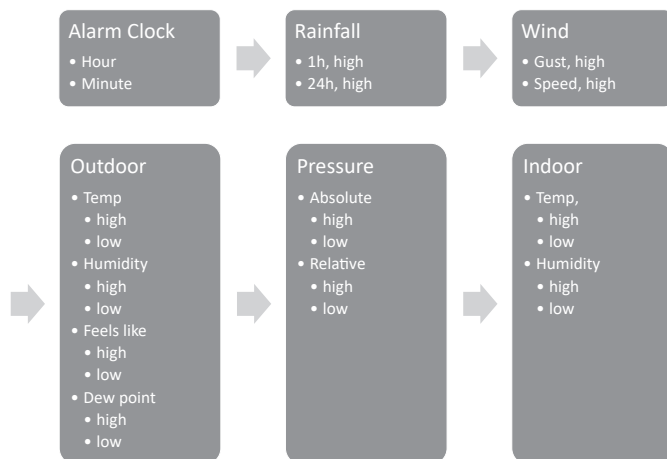
Vise aktuelle grenseverdi

1. I normalmodus, hold [MAX/MIN] inne i 3 sek for å komme til alarmmodus. «HI» vises sammen med innstilt maks-verdi.
2. Trykk [MAX/MIN/ALARM] for å vise innstilt min-verdi. "LOW" vises i displayet.
3. Trykk [SNOOZE/LIGHT] eller vent i 30 sekunder for å gå tilbake til normal visning.

Ved visning av grenseverdi, trykk [MODE/SET] for å veksle visningsmodus mellom relativt (REL) eller absolutt (ABS) lufttrykk og 1 time (1h) eller 24 timer (24h) nedbør.

Innstilling av alarm

1. I normalmodus, hold [MAX/MIN/ALARM] inne i 3 sek og "HI" vises i displayet.
2. Hold [MODE/SET] inne i ca. 3 sekunder for å gå til innstillingsmodus for alarm.
3. Trykk eller hold [CHANNEL/+] eller [HISTORY/-] inne for å endre verdi.
4. Aktiver/steng alarmen ved å trykke på [MAX/MIN/ALARM]. Velg **ON** (på) eller **OFF** (av). Symbolet  tennes for å vise at alarmen er aktivert.
5. Bekreft hvert trinn med [MODE/SET].
6. Gå tilbake til normal visning ved å trykke 2 ganger på [SNOOZE/LIGHT].



- **Alarm Clock:** Innstilling av alarmklokke (timer, minutter).
- **Rainfall:** Still inn alarmgrense for nedbør (1 time "1h", 24 timer "24h")
- **Wind:** Still inn alarmgrense for aktuell vindhastighet "GUST" og gjennomsnittlig vindhastighet "AVERAGE"
- **Outdoor:** Still inn øvre "HI" og nedre "LOW" alarmgrense for utendørstermometeret/hygrometeret.
 - Temperature: Still inn alarmgrense for temperatur
 - Humidity: Still inn alarmgrense for luftfuktighet
 - Feels like: Still inn alarmgrense for opplevd temperatur
 - Dew point: Still inn alarmgrense for duggpunkt
- **Pressure:** Still inn øvre og nedre alarmgrense for lufttrykk
 - Absolute: Still inn alarmgrense for absolutt trykk
 - Relative: Still inn alarmgrense for relativt trykk
- **Indoor:** Still inn øvre og nedre alarmgrense for innendørsenshetens temperatur og luftfuktighet
 - Absolute: Still inn alarmgrense for absolutt trykk
 - Relative: Still inn alarmgrense for relativt trykk

Snooze

- Når alarmen går, trykk på [SNOOZE/LIGHT] for å stoppe alarmen i 5 min. Alarmikonet fortsetter å blinke.
- For å skru den av helt, trykk på en av disse knappene: [CHANNEL/+], [MODE/SET], [MAX/MIN/ALARM] eller [HISTORY/-].

Kalibrering

- Hvis værstasjonens giver viser feilaktige verdier kan de finjusteres. For å kunne kalibrere givene riktig må du ha en referanseverdi fra en giver/måler som du vet viser riktig.
 - Området for relativ luftfuktighet vises alltid innenfor 10–90 %. Man kan ikke justere verdien utenfor dette området.
1. Trykk på [CHANNEL/+] eller [HISTORY/-] for å øke eller redusere valgt verdi. For å endre verdi raskt, hold knappen inne i 3 sek.
 2. Trykk [MAX/MIN/ALARM] for å nullstille justert verdi.
 3. For å avslutte kalibreringen og gå tilbake til normal visning, trykk [SNOOZE/LIGHT] eller vent i 30 sek.

Temperatur

1. Ved normal visning, trykk inn [MODE/SET] og [CHANNEL/+] samtidig og hold inne i ca. 5 sek for å komme i kalibreringsmodus. Verdien for innendørstemperatur begynner å blinke.
2. Juster verdien til din referanseverdi. Verdien kan endres i trinn på 0,1 °C ad gangen. Bekreft med [SET/MODE].
3. Verdien for utendørstemperatur begynner å blinke. Justeres på samme måte som i punkt 2.

Relativ luftfuktighet

1. Ved normal visning, trykk inn [MODE/SET] og [HISTORY/+] samtidig og hold inne i ca. 5 sek for å komme i kalibreringsmodus. Verdien for luftfuktigheten innendørs begynner å blinke.
2. Juster verdien til din referanseverdi. Verdien kan endres i trinn på 1 % ad gangen. Bekreft med [SET/MODE].
3. Verdien for luftfuktigheten utendørs begynner å blinke. Justeres på samme måte som i punkt 2.

Vindhastighet, regn og lufttrykk

1. Ved normal visning, trykk inn [MODE/SET] og [MAX/MIN/ALARM] samtidig og hold inne i ca. 5 sek for å komme i kalibreringsmodus. Verdien for vindhastighetens kalibreringsfaktor begynner å blinke (*default=1*).
2. Juster verdien mellom 0,75 og 1,25 der:
kalibrert vindhastighet = kalibreringsfaktor x oppmålt vindhastighet.
3. Trykk [MODE/SET] nok en gang for å justere verdien for regnmengde. Verdien for regnmengdens kalibreringsfaktor begynner å blinke (*default=1*).
4. Juster verdien mellom 0,75 og 1,25 der:
kalibrert regnmengde = kalibreringsfaktor x målt regnmengde.
5. Trykk [MODE/SET] nok en gang for å justere verdien for absolutt lufttrykk. Verdien for absolutt lufttrykk begynner å blinke.
6. Juster verdien til din referanseverdi. Verdien kan endres i trinn på 0,1 hPa.
7. Trykk [MODE/SET] nok en gang for å justere verdien for relativt lufttrykk. Verdien for relativt lufttrykk begynner å blinke.
8. Juster verdien til din referanseverdi. Verdien kan endres i trinn på 0,1 hPa.

Sluttmontering

Informasjon

Vi anbefaler at du gjør deg kjent med innendørs- og utendørsenhetene før du monterer dem på sine endelige plasser. Dette gjør et det blir enklere å kalibrere givere og teste værstasjonens forskjellige funksjoner.

Valg av sted

Husk følgende før du monterer utendørsenheten:

- Regnsensoren bør rengjøres hver 3. måned og batteriene bør skiftes cirka en gang per år. Sørg for at du monterer utendørsenheten lett tilgjengelig.
- Sørg for at utendørsenheten ikke hindres av trær eller bygninger i nærheten. En tommelfingerregel er å montere den med en avstand på minst 4 ganger høyden av nærliggende hindringer. Eks. hvis en bygning er 6 meter høy bør utendørsenheten monteres $4 \times 6 = 24$ m bortenfor.
- Unngå strålingsvarme fra omkringliggende bygninger, tak etc.
- Prøv utendørsenheten på den tiltenkte plassen før den monteres opp. Hindringer kan påvirke kontakten (rekkevidden) mellom innendørs- og utendørsenheten. En betongvegg kan f.eks. dempe signalene dramatisk i forhold til hva en gipsvegg gjør.
- Annet trådløst utstyr som er innstilt på samme frekvens (868.35 MHz) kan på kan påvirke rekkevidden negativt.

Ved problemer med rekkevidden, prøv følgende:

- Skru av øvrig trådløst utstyr for å kontrollere hvor årsak til problemene ligger.
- Reduser avstanden mellom enhetene.
- Reduser antall hindringer (vegger, møbler etc.) mellom enhetene.

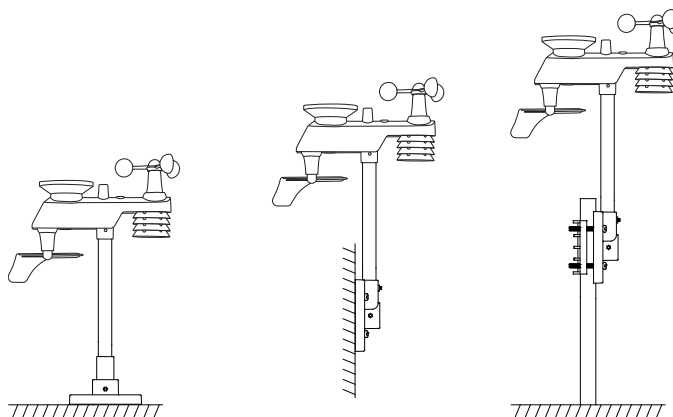
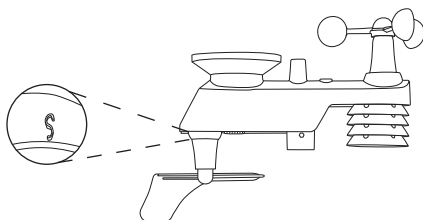
Innendørsenhet

- Innendørsenheten har innebygde detektorer for temperatur, lufttrykk og luftfuktighet. Plasser derfor enheten slik at den ikke utsettes for varme fra ovner, komfyrer eller andre varmekilder.
- Unngå å plassere enheten inntil vinduskammer av metall etc. fordi det kan forstyrre radiomottaket.
- Innendørsenheten kan brukes med bordstøtten (21) eller veggmonteres ved å henges opp på veggfestet (17).

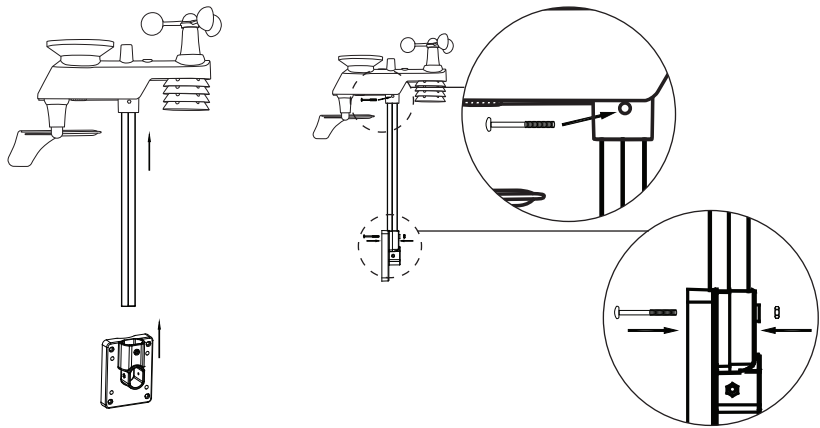
Utendørsenhet

Når du monterer utendørsenheten. Sørg for at den havner vannrett ved å kontrollere libellen (27).

1. Lokaliser merkingen på vindgiverens underside. Sørg for at merkingen "S" vender mot sør.

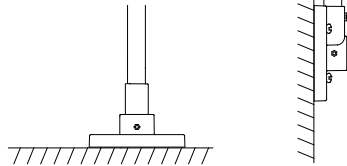
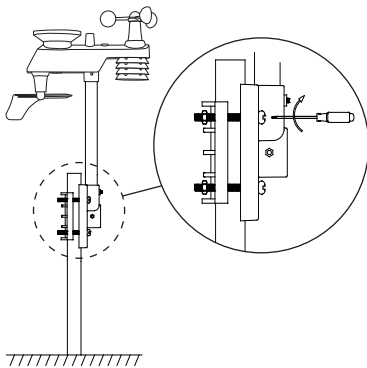


2. Velg om du skal montere giveren med festet horisontalt, vertikalt eller på et masterør.



3. Koble sammen utendørsenhet, arm og feste og skru dem fast med skruer og mutter (M3).

Norsk



4. - Ved montering på masterør, bruk skruer og mutter (M5) for å feste festet med monteringsplaten til røret.

- Ved horisontal eller vertikal montering, bruk en festemetode som egner seg til underlaget.

Programvare (Weather Home)

Med programmet Weather Home kan du, med hjelp av en PC, bl.a. se målte data i sanntid, foreta innstillinger på innendørsenheten, stille alarm og nullstille maks/min-verdier.

Systemkrav

Datamaskin	PC med CD-leser og USB-port
Operativsystem	Windows NT4 (Service Pack ≥ 6a), Windows 2000, Windows Vista, Windows 7–10
Proseszor	Pentium III 500 MHz eller høyere
Minne	Minst 128 MB. Vi anbefaler 256 MB

Installasjon

1. Koble den medfølgende USB-kabelen mellom datamaskinen og innendørsenhetens USB-utgang (18).
2. Påse at du har administratorrettigheter for operativsystemet.
3. Plasser den medfølgende CD-platen i maskinen. Hvis installasjonsprogrammet ikke starter automatisk: åpne filhåndtereren (utforskeren), lokalisere CD-platen og kjør "WeatherHome.exe".
4. Følg instruksjonene i installasjonsprogrammet og installer **Weather Home**.

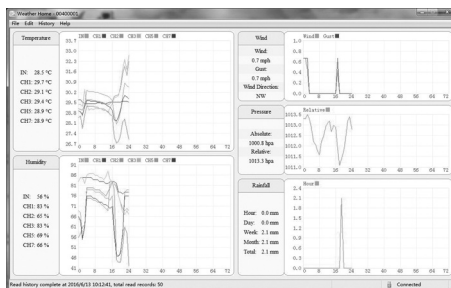


Norsk

Bruk

Åpne programmet **Weather Home**.

- Hovedsiden viser aktuelle måleverdier og histogram.
- Vis eller skjul grafer ved å klikke på benevningene over grafene.

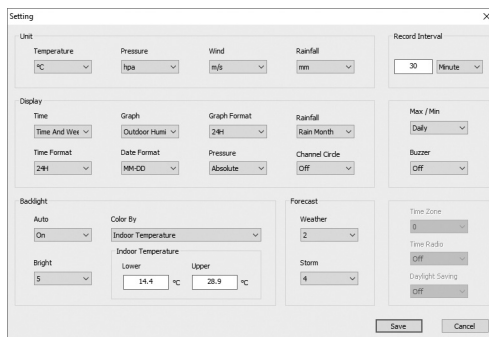


Meny

File	Exit	Avslutt Weather Home.
Edit	Setting	Innstilling av måleenheter, bakgrunnsbelysning, visning av måledata, datoformat mm.
	Alarm	Aktivere/deaktivere alarm. Innstilling av alarmgrenser.
	Maks/min.	Avlesing av maks/min-historikk.
	Language	Innstilling av språk.
History	View	Analyse og eksport av innspilte data (.csv eller .pdf).
	History manage	Rensing PC-database og av innendørsenhetsens minne.
Help	About WeatherHome	Vise installert programvareversjon.

Innstillinger (Settings)

Vinduet viser aktuelle innstillinger i innendørsenheten. Her kan du på en enkel måte stille inn hvordan måledata skal presenteres på displayet på værstasjonen. Foreta ønskede innstillinger og trykk deretter på [Save] for å lagre eller på [Cancel] for å avbryte uten å lagre.



Unit	Innstilling av måleenheter.
Display	Displayinnstillinger for tid og dato (Time, Date), histogram (Graph), lufttrykk (Pressure), regnperiode (Rainfall) og valg for rullende visning av eksterne temp/hygrometersensorer (Channel Circle).
Backlight	Slå på eller av bakgrunnsbelysningen (Auto). Innstilling av belysningens lysstyrke (Bright). Velg om fargen skal være fast eller om den skal endres avhengig av aktuell utendørs-/innendørs-temperatur (Color By). Innstilling av fargeskala (Color Index, Indoor-/Outdoor Temperature), se avsnittet <i>Innstillinger/justeringer</i> .
Forecast	Justering av grenseverdi for værprognose og stormvarsel, se avsnittet <i>Innstillinger/justeringer</i> .
Record Interval	Innstilling av innspillingsintervall.
Maks/Min.	Velg om værstasjonens max/min-verdi skal nullstilles automatisk hvert døgn (Daily) eller om de skal nullstilles manuelt (History).
Buzzer	Velg om lyden (tastetrykk og alarm) skal være på eller av.

Innstilling av alarm (Alarm)

Still inn alarmgrenser og aktiver/deaktiver alarm. Foreta ønskede innstillinger og trykk deretter på [Save] for å lagre eller på [Cancel] for å avbryte uten å lagre.

Alarm

	High		Low	
Indoor Temperature	<input type="checkbox"/> 20.0 °C		<input type="checkbox"/> 0.0 °C	
Indoor Humidity	<input type="checkbox"/> 65 %		<input type="checkbox"/> 35 %	
Outdoor Temperature	<input checked="" type="checkbox"/> 30.0 °C		<input type="checkbox"/> -10.0 °C	
Outdoor Humidity	<input type="checkbox"/> 75 %		<input type="checkbox"/> 45 %	
Dew Point	<input type="checkbox"/> 10.0 °C		<input type="checkbox"/> -10.0 °C	
Feels Like	<input type="checkbox"/> 20.0 °C		<input type="checkbox"/> 0.0 °C	

Absolute Pressure	<input type="checkbox"/> 1040.0 hpa		<input type="checkbox"/> 960.0 hpa	
Relative Pressure	<input type="checkbox"/> 1040.0 hpa		<input type="checkbox"/> 960.0 hpa	

	High
Wind	<input checked="" type="checkbox"/> 5.0 m/s
Gust	<input type="checkbox"/> 10.0 m/s

Rain Hour	<input type="checkbox"/> 1.0 mm
Rain Day	<input checked="" type="checkbox"/> 50.0 mm

Alarm Time 00:00

Save Cancel

I eksempelet kommer innendørsenheten til å varsle hvis utendørstemperaturen stiger over 30 °C, gjennomsnittlige vindhastigheter overstiger 5 m/s og hvis nedbøren i løpet av en dag overstiger 50 mm.

Høyeste og laveste oppmålte verdi (Max/Min)

Max / Min

	Temperature	Humidity	Dew Point	Feels Like
Indoor:	22.4 °C 21.0 °C	29 % 26 %		
Outdoor:	22.1 °C 21.3 °C	29 % 26 %	3.2 °C 1.1 °C	22.1 °C 21.3 °C

Pressure	Absolute: 955.3 hpa 949.5 hpa	Relative: 979.0 hpa 973.2 hpa	Wind	Wind: 0 bft	Gust: 1 bft	Rainfall	Rain Hour: 0.04 in	Rain Week: 0.04 in	Rain Day: 0.04 in	Rain Month: 3.90 in
----------	-------------------------------	-------------------------------	------	-------------	-------------	----------	--------------------	--------------------	-------------------	---------------------

Max: ■ Min: ■ Daily Max/Min

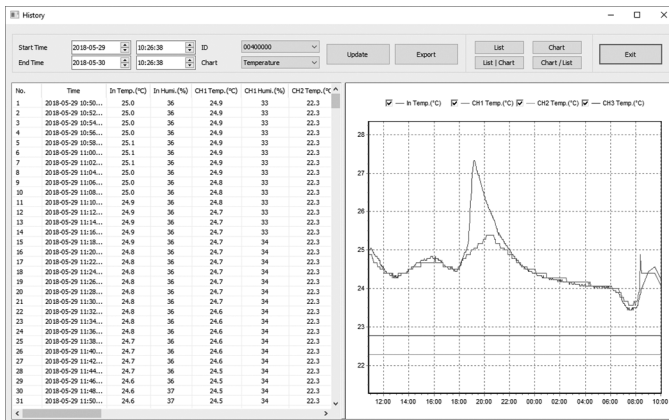
Reset Exit

De høyeste verdiene er merket med rødt og de laveste med blått.

- Trykk [Reset] for å nullstille måleverdiene.
- Trykk [Exit] for å lukke vinduet.

i **Obs!** Ved nullstilling av maks/min nullstilles de lagrede verdiene for samtlige givere.

Vise innspilte værddata (View)



Når innendørsenheten er koblet til datamaskinen og Weather Home har startet, vil enhetens minne overføres til databasen.

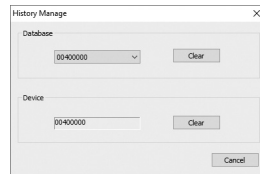
- For å se værddata for en spesiell periode:
 1. Still inn startdato og tid.
 2. Still inn sluttdato og tid.
 3. Trykk [Update] for å hente måleverdiene fra databasen.
- Velg hvilken type måledata som skal vises i nedtrekkslisten (Chart): temperatur, luftfuktighet, lufttrykk, vind eller regn.
- Vis/skjul grafer ved å huke av i rutene ved de respektive benevningene.
- Velg om du vil at måleverdiene skal vises som grafer og/eller i listeform ved å velge mellom [List], [Chart], [List/Chart] eller [Chart/List].
- Analysere graf:
 1. Forstørr en del av grafen ved å markere området (hold venstre musetast inne og dra skrått nedover mot høyre).
 2. Scroll gjennom grafen ved å holde høyre musetast inne og trekk musen sideveis.
 3. Gå til fullskjerm ved å holde venstre musetast inne og dra skrått opp til venstre.
- Eksporter data som .pdf eller .csv (kommaseparert tekst for visning i Excel etc):
 1. Trykk [Export].
 2. Velg den filtype du vil ha og hvor filen skal lagres. Trykk [Save].
 3. Trykk [Exit] for å lukke vinduet.

Tømme database og innendørsenhets minne (History Manage).

Velg "History/History Manage" i menyen.

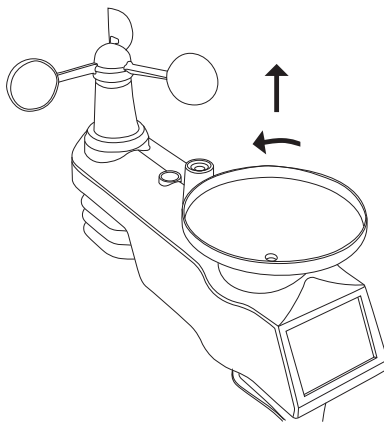
Hvis du vil lagre databasen før du tømmer den:

1. Lokaliser databasen WeatherHome.mdb. (Eks. i Windows 10 ligger den i mappen "C:\ProgramData\WeatherHome")
 2. Kopier databasen til en annen mappe og/eller døp den om til f.eks. "Januar 2019.mdb".
- Tøm databasen ved å trykke [Clear] Database.
 - Tøm minnet på innendørsenheten ved å trykke [Clear] Device.



Vedlikehold


- Rengjør produktet med en lett fuktet klut. Bruk et mildt rengjøringsmiddel, aldri løsemidler eller etsende kjemikalier.
- Ta ut batteriene dersom værstasjonen ikke skal brukes over tid. Gamle batterier kan lekke syre og skade produktet.
- Kontroller og rengjør regngiveren hver 3. måned eller ved behov.



1. Vri regnoppsamleren i pilens retning og dra den deretter rett opp.
2. Kontroller at regnmåleren beveger seg uhindret og at avrenningen (29) er fri for forurensninger.
3. Sett regnoppsamleren tilbake og vri den på plass.

Feilsøkingsskjema

Norsk

<p>Utendørsenhetens giver sender ingen verdier til innendørsenheten. Displayet viser «--.-».</p>	<ul style="list-style-type: none"> • Når innendørsenheten har mistet kontakten med en giver vises "--.-" eller "--" i displayet. For å søke etter givere: Hold [CHANNEL/+] inne i 3 sek. Ikonet  vises i 3 minutter mens søkingen foregår. Når forbindelsen er gjenopprettet, vises ** i displayet i tre sekunder før gjeldende målte verdi vises. • Kontroller avstanden mellom innendørs- og utendørsenheten. Avstanden bør være mellom 1,5–30 m. • Prøv med å plassere utendørsenheten høyere opp. • Kontroller at utendørsenhetens LED-indikator blinker (hvert 16. sek). • Sett i nye batterier i utendørsenheten. I områder med kaldt klima anbefales det å bruke litumbatterier. • Kontroller at batteriene i innendørsenheten ikke er utladet. Selv om innendørsenheten drives fra strømnettet kan utladede batterier være årsaken til problemer med å finne utendørsenheten. • Kontroller at ikke radiosignalene forstyrres av metallkonstruksjoner etc. • Flytt innendørsenheten vekk fra øvrige elektronisk enheter, som routere, data-maskiner og TV-apparater.
<p>Innendørs- og utendørsenhetens temperatur/luftfuktighet viser forskjellig når enhetene ligger ved siden av hverandre.</p>	<p>La giverne stabilisere seg i opptil en time. Verdiene for temperatur bør ligge innenfor 1 °C (nøyaktighet ±0.5 °C) og verdiene for luftfuktighet innenfor 6 % (nøyaktighet ±3 %). Juster ved behov verdiene i innendørsenheten, se avsnittet <i>Kalibrering</i>.</p>
<p>Kontrastene i displayet er dårlig.</p>	<p>Sett nye batterier i enheten.</p>
<p>Displayet viser nedbør selv om det ikke regner.</p>	<p>Kontroller at utendørsenheten er stabilt montert. Hvis enheten ikke sitter ordentlig, hvis det f.eks. er festet til et ustabil masterør kan den sende gale verdier.</p>

Avfallshåndtering

Symbolet viser at produktet ikke skal kastes sammen med øvrig husholdningsavfall. Dette gjelder i hele EØS. For å forebygge eventuelle skader på helse og miljø som følge av feil avfallshåndtering skal produktet leveres til gjenvinning, slik at materialet blir tatt hånd om på en ansvarsfull måte. Når produktet skal kasseres, benytt eksisterende systemer for returhåndtering eller kontakt forhandler. De vil ta hånd om produktet på en miljømessig forsvarlig måte.



Spesifikasjoner


Giverdata

Sensor/giver	Måleområde	Nøyaktighet	Oppløsning
Innetemperatur	0–60 °C	±0,5 °C	0,1 °C
Temperatur utendørs	-40–60 °C	±0,5 °C	0,1 °C
Luftfuktighet innendørs	10–99 %	±3 % (i området 20–90 %)	1 %
Luftfuktighet utendørs	10–99 %	±3 % (i området 20–90 %)	1 %
Regn	0-9999 mm	<15 mm: ±1 mm 15-9999 mm: ±7 %	<1000 mm (0,3 mm) >1000 mm (1 mm)
Vindretning	0–360 °	8-trinns kompass	45°
Vindhastighet	0–50 m/s	2–10 m/s: ±3 m/s 10–50 m/s: ±10 %	0,1 m/s
Lufttrykk	300-1100 hPa	±3 hPa	0,1 hPa

Trådløs overføring

Frekvensområde	868.35 MHz
Rekkevidde, ved fri sikt	1000 m under optimale forhold 100 m normale forhold

Innendørsenhet

Batterier	3 × AAA/LR03
Driftstid	ca. 12 måneder
Nettadapter	Inn: 100–240 V AC, 50/60 Hz Ut: 5,9 V, 500 mA 
Mål	157 × 210 × 26 mm

Utendørsenhet

Oppdateringsintervall	Hvert 16. sekund
Batterier	3 × LR6/AA
Driftstid	ca. 12 måneder (værvhengig)
Mål	330 × 150 × 280 mm

Langaton sääasema, jossa USB

Tuotenro 36-9231 Malli FT0203A

Lue koko käyttöohje ja säästä se tulevaa käyttöä varten. Pidätämme oikeuden teknisten tietojen muutoksiin. Emme vastaa mahdollisista teksti- tai kuvavirheistä. Jos tuotteeseen tulee teknisiä ongelmia, ota yhteys myymälään tai asiakaspalveluun (yhteystiedot käyttöohjeen lopussa).

Sisällysluettelo

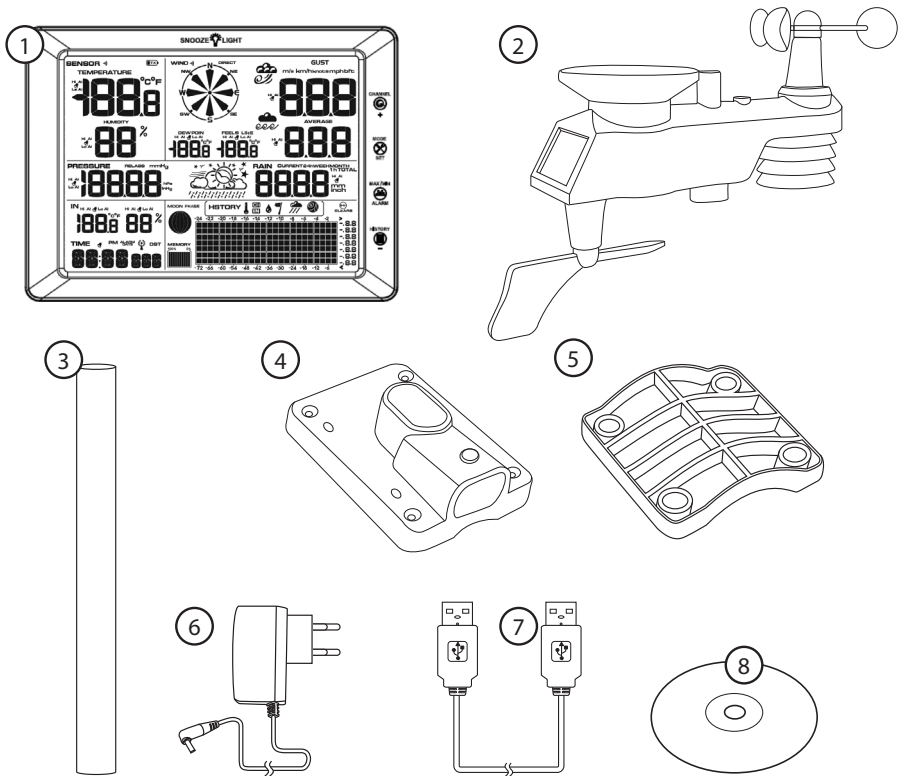
Turvallisuus	93
Sisältö	94
Asennussarja:	94
Tuotekuvaus	95
Sisäyksikkö.....	95
Ulkoyksikkö	97
Asentaminen	98
Paristojen asettaminen	98
Ulkoyksikkö	98
Sisäyksikkö.....	98
Ulkoyksikön anturien etsintä ja toimivuuden varmistus ..	99
Tuulianturi.....	100
Sadeanturi.....	100
Lämpömittari/kosteusmittari	100
Sisäyksikkö	101
Näyttö / symbolien selitykset	101
Asetukset/säädöt.....	103
Maksimi/minimi.....	106
Mittausarvojen nollaus.....	106
Histogrammi, sääennuste ja kuunvaiheet.....	106
Näytön taustavalo	108
Hälytys	108
Kalibrointi.....	110

Lopullinen asennus	111
Paikan valinta	111
Ohjelmisto (WeatherHome)	114
Järjestelmävaatimukset	114
Asentaminen	114
Käyttö	114
Huolto ja kunnossapito	118
Vianhakutaulukko	119
Kierrättäminen	119
Tekniset tiedot	120
Anturitiedot.....	120
Langaton tiedonsiirto	120
Sisäyksikkö.....	120
Ulkoyksikkö	120

Turvallisuus

- Sisäyksikköä ei saa altistaa sateelle tai kosteudelle.
- Laitetta ei saa purkaa tai muuttaa.
- Laitetta ei ole tarkoitettu käytettäväksi referenssinä, eikä Clas Ohlson vastaa virheellisestä tai väärin katsotusta tuloksesta aiheutuneista vahingoista.
- Koska ulkoyksikön aurinkopaneeli ei lataa akkuja, siinä ei saa käyttää akkuja. Käytä laadukkaita alkali- tai litiumparistoja. Älä sekoita uusia ja vanhoja tai alkali- ja litiumparistoja keskenään. Vaihda kaikki paristot samalla kertaa.
- Kun vaihdat sisäyksikön paristot, tallennetut tiedot (histogrammi) ja korkeimmat ja matalimmat mittaustulokset pyyhkiytyvät muistista.
- Laitetta ei saa altistaa kolhuille.
- Käytä asianmukaisia turvallisuusvarusteita, jos asennat ulkoyksikön katolle.
- Älä mene katolle, jos luvassa on ukkosta.

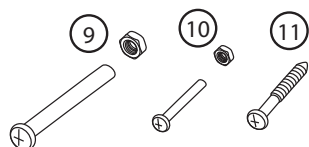
Sisältö



1. Sisäyksikkö
2. Ulkoyksikkö, jossa anturit tuulen nopeudelle, tuulen suunnalle, sademäärälle, lämpötilalle ja ilmankosteudelle.
3. Varsi ulkoyksikön asentamiseen
4. Varren kiinnike
5. Kiinnikkeen asennuslevy putkiasennukseen
6. Muuntaja
7. USB-kaapeli
8. Ohjelmisto-CD (WeatherHome)

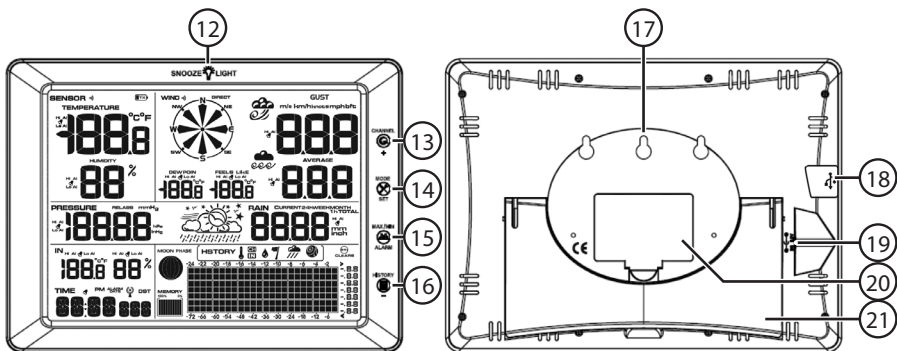
Asennussarja

9. Ruuvi ja mutteri (M5) kiinnikkeen putkiasennukseen
10. Ruuvi ja mutteri (M3) ulkoyksikön varrelle
11. Puuruuvi kiinnikkeen katto-/seinäasennukseen



Tuotekuvaus

Sisäyksikkö



12. [SNOOZE/LIGHT]

Aktivoi torkkutoiminto / muuta kirkkautta painamalla painiketta. Sytytä/sammuta taustavalo painamalla painiketta pitkään.

13. [CHANNEL/+]

Muuta arvoa / siirry ylöspäin painamalla painiketta. Etsi anturi manuaalisesti painamalla painiketta pitkään.

14. [MODE/SET]

Muuta näyttötapaa / vahvista valinta painamalla painiketta. Siirry asetustilaan painamalla painiketta pitkään.

15. [MAX/MIN/ALARM]

Katso korkeimmat/matalimmat arvot painamalla painiketta. Näytä asetetut hälytysrajat painamalla painiketta pitkään.

16. [HISTORY/ -]

Vaihda arvoa / siirry alaspäin tai valitse histogrammi painamalla painiketta. Aseta herätys- ja painikeäänet painamalla painiketta pitkään.

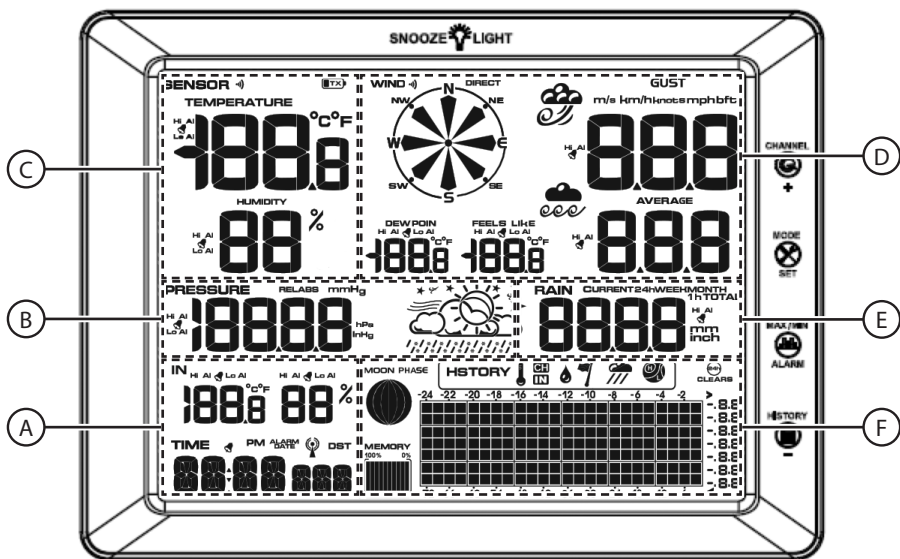
17. Seinäkiinnike

18. USB-liitäntä

19. DC 6.0 V

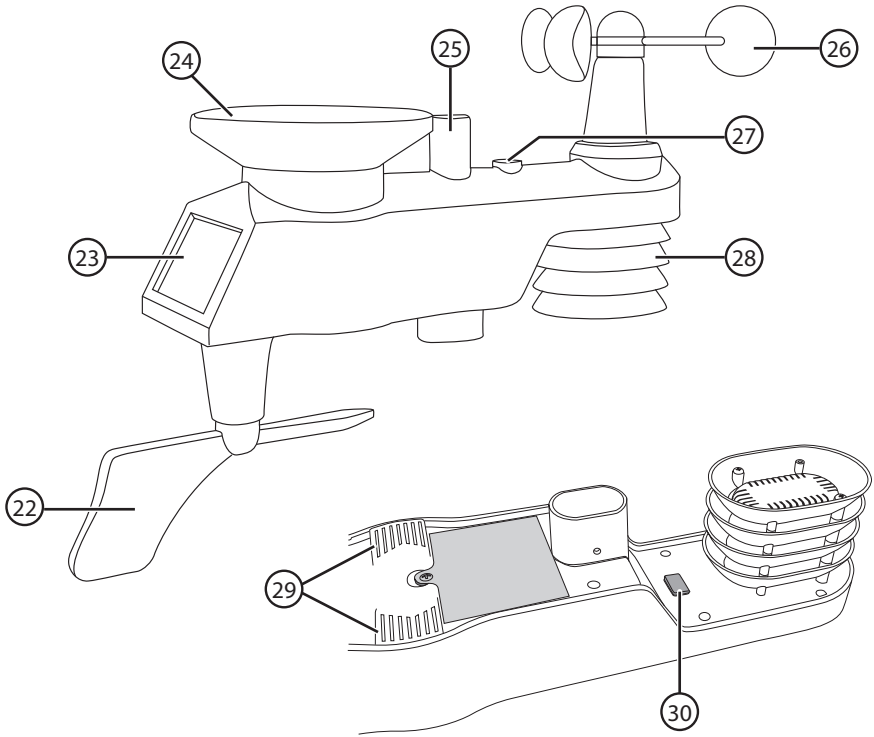
20. Paristolokero

21. Pöytätuki



- | | | |
|----|--|---|
| A) | "IN"
"TIME" | Lämpötila ja ilmankosteus sisällä
Aika/päivämäärä/viikonpäivä |
| B) | "PRESSURE" | Ilmanpaine ja sääennuste |
| C) | "TEMPERATURE"
"HUMIDITY" | Lämpötila ulkona
Ilmankosteus ulkona |
| D) | "WIND"
"GUST"
"AVERAGE"
"DEW POINT"
"FEELS LIKE" | Tuulen suunta
Tuulen nopeus
Tuulen nopeuden keskiarvo
Kastepiste
Koettu lämpötila |
| E) | "RAIN" | Sademäärä |
| F) | "HISTORY"
"MOON PHASE" | Graafinen historiikki (24 tai 72 tunnin näyttötapa)
Kunvaiheet |

Ulkoyksikkö



- 22. Tuulen suunnan anturi
- 23. Aurinkopaneeli
- 24. Sadevedenkerääjä
- 25. Antenni
- 26. Tuulen nopeuden anturi
- 27. Libelli
- 28. Lämpötilan ja ilmankosteuden anturi (Lämpömittari/kosteusmittari)
- 29. Sademittarin valumakohta
- 30. LED-merkkivalo ja [RESET]-painike

Asentaminen



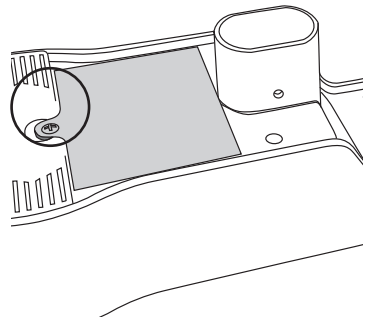
Paristojen asettaminen

△ Huom.!

Aseta paristot ulkoyksikköön **ennen kuin** käynnistät sisäyksikön. Kun sisäyksikkö käynnistetään, se alkaa automaattisesti etsiä ulkoyksikön antureita. Kun asetat paristot yksikköihin, noudata napaisuusmerkkintöjä.


Ulkoyksikkö

1. Avaa paristolokeron kannen ruuvi ja irrota kansi.
2. Aseta lokeroon kolme AA/LR6-paristoa. LED-merkkivalo syttyy 3 sekunnin ajaksi ja jatkaa vilkkumista 16 sekunnin välein merkkinä siitä, että yksiköstä lähetetään tietoja.
3. Jos LED-merkkivalo ei ala vilkkua paristojen asettamisen jälkeen, nollaa yksikkö painamalla [RESET].
4. Laita paristolokeron kansi takaisin paikalleen ja kierrä ruuvi kiinni.

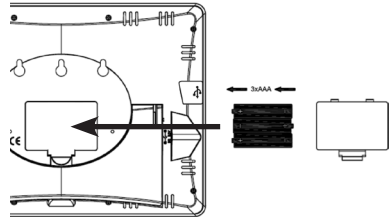
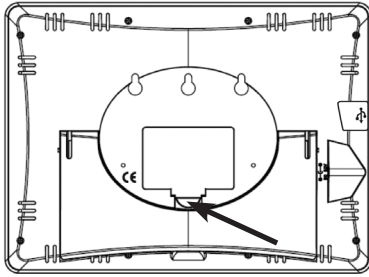


Sisäyksikkö

△ Huom!

- Varmista, että ulkoyksikkö on päällä, ennen kuin käynnistät sisäyksikön.
- Varmista, että ulkoyksikkö on vähintään 1,5 metrin ja enintään 30 metrin etäisyydellä sisäyksiköstä. Jos ulkoyksikkö on liian lähellä tai kaukana, sisäyksikön voi olla vaikea vastaanottaa signaaleja.
- Kun sisäyksikkö käynnistetään, se alkaa automaattisesti etsiä ulkoyksikön anturia (kuvake  syttyy). Älä paina mitään painiketta, ennen kuin kaikki anturit on rekisteröity, sillä se keskeyttää haun.
- Sisäyksikköä voi käyttää joko paristoilla tai mukana tulevalla muuntajalla.

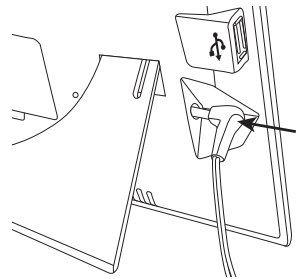
Käyttö paristoilla



5. Paina salpaa ja irrota paristolokeron kansi.
6. Aseta lokeroon kolme AAA/LR03-paristoa. Noudata paristolokeron pohjassa olevia napaisuusmerkintöjä.
7. Aseta paristolokeron kansi takaisin paikalleen.

Käyttö verkkovirralla

- Liitä muuntaja DC 6.0 V -merkinnällä varustettuun liitäntään ja 230 V:n pistorasiaan. **AC ON** ilmestyy näytölle 3 sekunnin ajaksi.
- Jos muuntaja irrotetaan ja sääasema siirtyy paristokäyttöön, näytölle ilmestyy **AC OFF**.
 - Irrota pistoke pistorasiasta voimakkaalla ukonilmalla.




Ulkoysikkön anturien etsintä ja toimivuuden varmistus

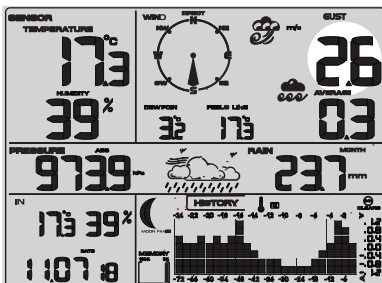
Kun sisäyksikkö käynnistetään, se alkaa automaattisesti etsiä lähellä olevia antureita. Käynnissä olevasta etsinnästä kertoo kuvake . Kun kuvake on sammunut, voit testata antureiden toiminnan.

Huom.

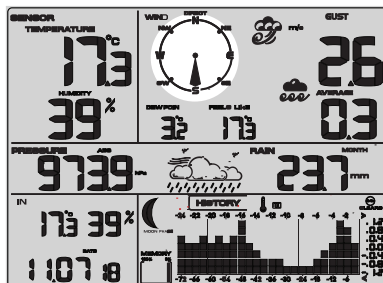
Jos sääasema ei etsinnän aikana löydä antureita tai menettää yhteyden ulkoysikköön, näytöllä näkyy "--.". Etsi anturit manuaalisesti:

Paina normaalillassa [CHANNEL/+] 3 sekunnin ajan. Näytölle syttyy .

Tuulianturi



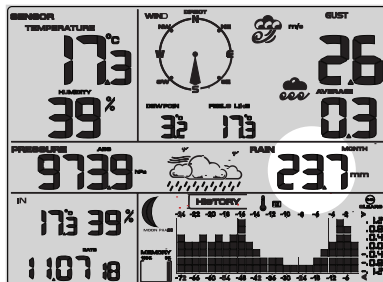
Testaa tuulen nopeuden anturia pyörittämällä tuulikuppeja (26). Varmista, että arvo muuttuu näytöllä.



Testaa tuulen suunnan anturia (22) vaihtamalla sen paikkaa. Varmista, että suunta muuttuu näytöllä.

Sadeanturi

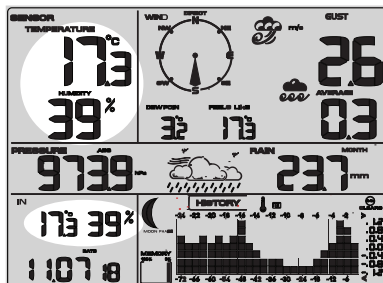
Heiluta ulkoanturia edestakaisin sivusuunnassa ja kuuntele selvää napsahdusta. Jokainen napsahdus tarkoittaa 0,3 mm:n sademäärää. Varmista, että arvo muuttuu näytöllä.



Lämpömittari/kosteusmittari

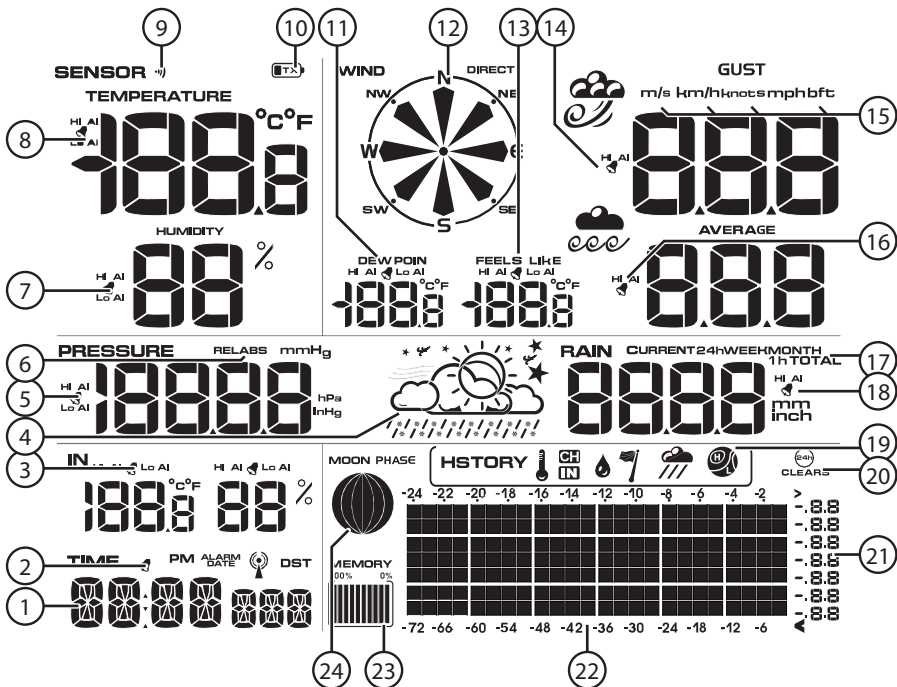
Aseta ulkoyksikkö sisäyksikön lähelle ja anna sen olla siinä noin 30 minuuttia, jotta lämpötila tasaantuu. Lue lämpötilan ja ilmakehän kosteuden arvot ja vertaile niitä. Lämpötilan arvoissa tulee olla korkeintaan 1 °C:n ero (tarkkuus ±0,5 °C) ja ilman kosteuden arvoissa korkeintaan 6 %:n ero (tarkkuus ±3 %).

Jos arvot ovat näitä suuremmat, niitä voi säätää sisäyksiköstä. Katso luku *Kalibrointi*.



Sisäyksikkö

Näyttö / symbolien selitykset

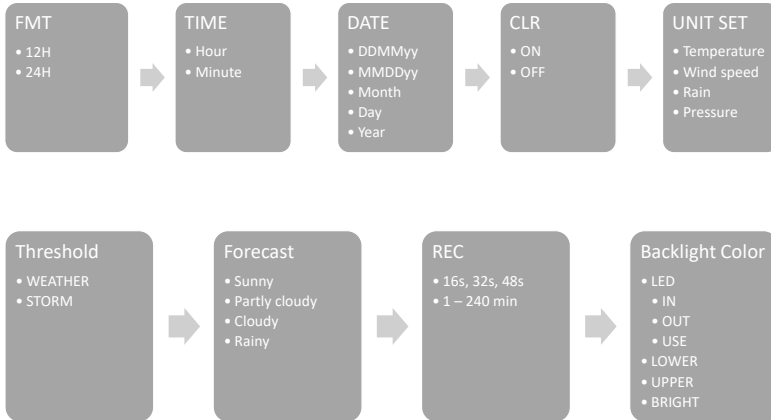


1. Aika/päivämäärä/viikonpäivä.
2. Kellon herätyskuvake.
3. Sisätilan lämpötilan ja ilmankosteuden hälytyskuvake.
4. Sääennuste, myrskyvaroitus.
5. Ilmanpaineen hälytyskuvake.
6. Näyttää, onko valittuna suhteellinen vai absoluuttinen ilmanpaine.
7. Ulkotilan ilmankosteuden hälytyskuvake.
8. Ulkotilan lämpötilan hälytyskuvake.
9. Ulkoyksikön signaalikuvake. Kuvake syttyy mittaustietoja vastaanotettaessa tai anturia etsittäessä.
10. Alhainen paristojen varaustaso, ulkoyksikkö.
11. Kastepisteen hälytyskuvake.
12. Tuulen suunta.
13. Koetun lämpötilan hälytyskuvake.
14. Tuulen nopeuden hälytyskuvake.
15. Mittayksikkö, tuulen nopeus.
16. Keskimääräisen tuulen nopeuden hälytyskuvake.
17. Mittausjakso, sademäärä.
18. Sademäärän hälytyskuvake.
19. Valitun histogrammin ilmaisin.
20. Tallennettujen korkeimpien ja matalimpien arvojen automaattisen nollauksen ilmaisin.
21. Histogrammin mitta-asteikko.
22. Histogrammin aika-akseli (24 tai 72 tunnin näyttötapa).
23. Muistin käytön ilmaisin.
24. Kuunvaiheen ilmaisin.

Asetukset/säädöt

Ajan, päivämäärän, mittayksiköiden, raja-arvojen ja taustavalaistuksen asetukset

1. Siirry normaalitilasta asetustilaan painamalla [MODE/SET] 3 sekunnin ajan.
2. Muuta arvoa painamalla lyhyesti tai pitkään [CHANNEL/+] tai [HISTORY/ -].
Vahvista jokainen vaihe painamalla [MODE/SET].
3. Voit palata milloin vain normaaliin näyttöön painamalla [SNOOZE/LIGHT] (12).



- **FMT:** Valitse 12 tai 24 tunnin ajannäyttötapa (oletusarvo=24 h).
- **TIME:** Aseta tunnit ja minuutit.
- **DATE:**
 - Aseta päivämäärän esitysjärjestys: **DDMMyy** tai **MMDDyy**
 - Aseta kuukausi
 - Aseta päivä
 - Aseta vuosi
- **CLR:**
 - Valitse **ON**, jos haluat sääaseman korkeimpien ja matalimpien arvojen nollautuvan automaattisesti joka vuorokausi (keskiyöllä). Näytöllä näkyy "CLEARS 24".
 - Valitse **OFF** jos haluat arvojen nollautuvan vain manuaalisesti.
Katso luku *Mittausarvojen nollaus*.
- **UNIT SET:**
 - Lämpötila: Valitse lämpötilan yksikkö: °C tai °F
 - Wind speed: Valitse tuulen nopeuden yksikkö: **m/s, km/h, knots, mph** tai **btf** (boforiasteikko)
 - Rain: Aseta sademäärän yksikkö (**mm** tai **Inch**)
 - Pressure: Aseta ilmanpaineen yksikkö (**hPa, inHg** tai **mmHg**)

- **Threshold:**

- **WEATHER:** Positiivisen ja negatiivisen painemuutoksen raja-arvon säätö: 2–4 mBar/h (oletusarvo=2). Alhaisempi arvo tekee sääennusteen luomisesta herkemman paineenvaihteluille. Alueilla, joilla tapahtuu suuria paineenvaihteluita, suositellaan korkeampaa arvoa.
- **STORM:** Negatiivisen painemuutoksen raja-arvon säätö: 3–9 mBar/h (oletusarvo=4). Alhaisempi arvo tekee myrskyvaroituksen luomisesta herkemman paineenvaihteluille. Alueilla, joilla tapahtuu suuria paineenvaihteluita, suositellaan korkeampaa arvoa. Kun paine on laskenut jatkuvasti 3 tunnin ajan, myrskyvaroituksen kuvake aktivoituu. (Kuvake pilvistä & sadetta vilkkuu).
- **Forecast:** Sääennusteen säätö nykyisten sääolosuhteiden mukaan. Valitse jokin seuraavista: aurinkoista, puolipilvistä, pilvistä tai sadetta (oletusarvo=puolipilvistä).
- **REC:** Tallennusvälin asetus: 16, 32, 48 sekuntia tai 1–240 minuuttia (oletusarvo=30 min).

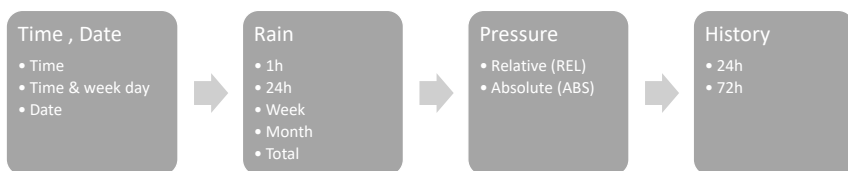
Nro	Väri	"OUT" Temp (°C)	"IN" Temp (°C)
1	Valkoinen	<(-12,0)	<(14,5)
2	Vaaleanpunainen	(-12,0)..(-6,5)	(14,5)..(16,0)
3	Violetti	(-6,5)..(-1,0)	(16,0)..(17,5)
4	Sininen	(-1,0)..(4,5)	(17,5)..(19,5)
5	Tummansininen	(4,5)..(10,0)	(19,5)..(21,0)
6	Tummanvihreä	(10,0)..(15,5)	(21,0)..(23,0)
7	Vihreä	(15,5)..(21,0)	(23,0)..(24,5)
8	Keltainen	(21,0)..(26,5)	(24,5)..(26,0)
9	Oranssi	(26,5)..(32,0)	(26,0)..(27,0)
10	Punainen	(32,0)..(37,5)	(27,0)..(29,0)
11	Tummanpunainen	>(37,5)	>(29,0)

- **LED:** Sääaseman taustavalvo voi vaihtaa väriä ulkolämpötilan (**OUT**) tai sisälämpötilan (**IN**) mukaan. Taustavalon väriksi voi valita myös kiinteän värin (**USE**) (oletusarvo=OUT). Lämpötilaväli vaihtelee sen mukaan, missä päin maapalloa ollaan, minkä vuoksi lämpötilaväliä voi säätää, katso taulukko.
- **OUT**
 - LOWER Aseta alhaisimman ulkolämpötilan raja-arvo (oletusarvo= -12,2).
 - UPPER Aseta korkeimman ulkolämpötilan raja-arvo (oletusarvo= 37,8).

- IN
 - LOWER Aseta alhaisimman sisälämpötilan raja-arvo (oletusarvo= 14,4).
 - UPPER Aseta korkeimman sisälämpötilan raja-arvo (oletusarvo= 28,9).
 - USE Taustavärin manuaalinen asetus: Valitse mieleisesi 11 väristä.
 - BRIGHT Säädä taustavalon voimakkuus välillä 1 (minimi) – 8 (maksimi).

Ajan/päivämäärän ja mittausarvojen näyttötapojen muuttaminen

1. Valitse aika/päivämäärä, sademäärä, ilmanpaine ja histogrammi painamalla normaalitilassa toistuvasti [MODE/SET].
2. Muuta näyttötapaa painamalla [CHANNEL/+] tai [HISTORY/ –].
3. Voit palata milloin vain normaalitilaan painamalla [SNOOZE/LIGHT].



- "TIME" Valitse ajan, ajan & viikonpäivän tai päivämäärän näyttö.
- "RAIN" Valitse näyttötavaksi tunti, vuorokausi, viikko, kuukausi tai kokonaissademäärä.
- "PRESSURE" Valitse näyttötavaksi suhteellinen tai absoluuttinen ilmanpaine. Valinnan mukaan näytöllä näkyy **REL** tai **ABS**.
- "HISTORY" Valitse 24 tai 72 tunnin ajannäyttötapa.

Tietoa ilmanpaineesta

Sääasema voi näyttää ilmanpaineen kahdella tavalla: **ABS** absoluuttinen (mitattu) ja **REL** suhteellinen (suhteutettu merenpinnan tasoon).

- Meteorologit käyttävät suhteellista ilmanpainetta ilmanpaineen vertaamiseen eri paikoissa.
- Normaali ilmanpaine merenpinnan tasolla vaihtelee maantieteellisen sijainnin mukaan, mutta on keskimäärin 1013,2 hPa. Matalapaineena pidetään alle 990 hPa:n painetta ja korkeapaineena yli 1020 hPa:n painetta.
- Ilmanpaine laskee mitä korkeammalla ollaan, minkä vuoksi suhteellinen arvo on yleisesti ottaen korkeampi kuin absoluuttinen arvo.

Painikkeiden ja hälytyksen ääniasetukset

Kytke ääni päälle tai pois päältä painamalla normaalitilassa [HISTORY/ –] noin 3 sekunnin ajan. Näytöllä näkyy **BUZZON** (päällä) tai **BUZZOFF** (pois päältä).

Kun ääni on pois päältä, painikkeita painettaessa ei kuulu ääniä ja sääasema hälyttää vain vilkkuvalla hälytyskuvakkeella.

Maksimi/minimi

1. Paina normaalitilassa yhden kerran [MAX/MIN/ALARM]. Näytölle ilmestyy **MAX** sekä sademäärän, tuulen nopeuden, ilmanpaineen, lämpötilan ja ilmakehän kosteuden maksimiarvot.
2. Paina uudelleen [MAX/MIN/ALARM]. Näytölle ilmestyy **MIN** sekä ilmanpaineen, lämpötilan ja ilmakehän kosteuden minimiarvot.

Vaihda maksimi-/minimiarvojen katselutilassa näyttötapaa sademäärän ja ilmanpaineen välillä painamalla [HISTORY/ -].

Mittausarvojen nollaus

Maksimi-/minimiarvot

i Huom.!

Maksimi-/minimiarvoja nollattaessa nollautuvat tallennetut arvot kaikista antureista.

1. Valitse normaalitilassa **MAX** tai **MIN** painamalla toistuvasti [MAX/MIN/ALARM].
2. Nollaa maksimi- tai minimiarvot painamalla [MODE/SET] 3 sekunnin ajan (CLR vilkkuu).

Maksimi-/minimiarvojen automaattinen nollaus: katso luku *Asetukset/säädöt* (CLR).

Sademäärä

1. Valitse sademäärän näyttötapa painamalla normaalitilassa 2 kertaa [MODE/SET].
2. Valitse näyttötapa painamalla toistuvasti [CHANNEL/+] tai [HISTORY/ -].
3. Nollaa valittu arvo painamalla [MODE/SET] 3 sekunnin ajan.

Muisti

Tyhjentääksesi sääaseman muistin katso luku *Ohjelmisto (WeatherHome)*.

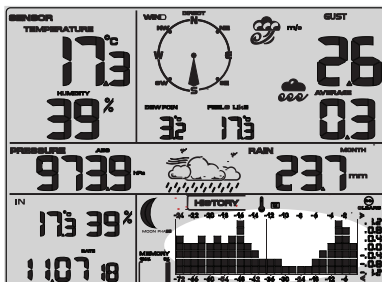
Histogrammi, sääennuste ja kuunvaiheet

Histogrammi

Sääasema voi näyttää tallennettuja tietoja viimeisten 24 tai 72 tunnin ajalta. Katso luku *Ajan/päivämäärän ja mittausarvojen näyttötavan muuttaminen*.

Pystyakseli näyttää aikaisemmat muutokset suhteessa nykyiseen mittausarvoon. Nykyinen mittausarvo (oikeanpuoleisin pylväs) näyttää aina 0.

Esim. lämpötilan histogrammi: Jos pylväs näyttää 0,4, se tarkoittaa, että aiempi lämpötila on 0,4 astetta nykyistä lämpötilaa korkeampi.



Valitse seuraavien histogrammien välillä painamalla normaalitilassa toistuvasti [HISTORY/ -]:



Lämpötila sisällä



Tuuli



Ilmankosteus sisällä



Sademäärä



Lämpötila ulkona



Ilmapaine

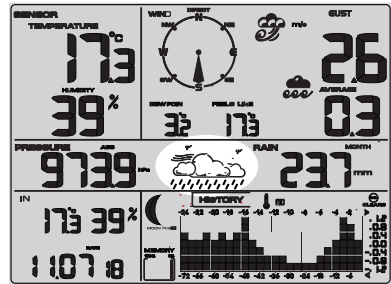


Ilmankosteus ulkona

Sääennuste

Sääasema mittaa ilmapainetta ja ennustaa seuraavien 12–24 tunnin sään.

Seuraavat kuvakkeet näkyvät senhetkisen ilmapainemuutoksen sekä asetettujen raja-arvojen mukaan (katso luku *Asetukset/säädöt*).



Aurinkoista



Tähdet/kuu



Puolipilvistä



Pilvistä

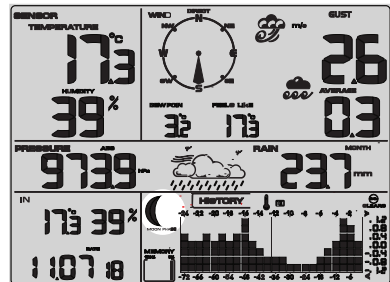


Sadetta

Yöllä (klo 19.00–07.00) näkyy Aurinkoista-kuvakkeen sijaan Tähdet/kuu.

Kuunvaiheet

Kuunvaiheiden näyttö perustuu senhetkiseen kalenteripäivään. Varmista, että oikea päivämäärä on asetettu luvussa *Asetukset/säädöt*.



Näytön taustavalo

Sytytä taustavalo painamalla [SNOOZE/LIGHT]. Taustavalo palaa 5 sekuntia.

Koko ajan palava taustavalo

1. Paina painiketta 2 sekunnin ajan. Taustavalo syttyy ja näytöllä näkyy **LED ON**.
 2. Sammuta taustavalo painamalla painiketta uudelleen. **LED OFF** ilmestyy näytölle.
- Taustavalo sammuu automaattisesti 30 minuutin kuluttua paristojen säästämiseksi.
 - Himmennä taustavaloa valon palaessa koko ajan painamalla [SNOOZE/LIGHT]. **BRIGHT 1** näkyy näytöllä. Paina painiketta uudelleen palataksesi asetetulle tasolle.


Kirkkauden säätäminen

1. Paina 2 kertaa [SNOOZE/LIGHT]. Näytöllä näkyy "BRIGHT" ja asetettu kirkkaus vilkkuu.
2. Muuta kirkkautta painamalla [CHANNEL/+] tai [HISTORY/ -],
1 (himmerein) – **8** (kirkkain). Vahvista painamalla [MODE/SET].

Muuttaaksesi muita taustavalon säätöjä katso luku *Asetukset/säädöt*.

Hälytys

Sääaseman voi asettaa hälyttämään, jos antureiden arvot päätyvät asetettujen raja-arvojen ulkopuolelle.

Kun hälytys aktivoituu, sääasemasta kuuluu ääni ja hälytyskuvake  vilkkuu sen arvon vieressä, joka on rajan ulkopuolella.


Hälytysäänen saa kokonaan pois päältä niin, että sääasema antaa vain äänettömän hälytyksen. Katso luku *Painikkeiden ja hälytyksen ääniasetukset*.

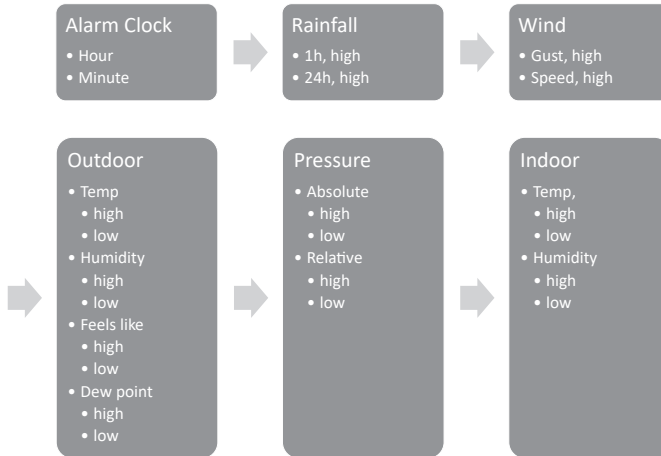
Tämänhetkisten raja-arvojen näyttäminen

1. Siirry normaalitilasta hälytystilaan painamalla [MAX/MIN/ALARM] 3 sekunnin ajan. Näytöllä näkyy "HI" ja asetetut maksimiarvot.
2. Katso asetetut minimiarvot painamalla [MAX/MIN/ALARM]. Näytöllä näkyy "LOW".
3. Palaa normaalitilaan painamalla [SNOOZE/LIGHT] tai odottamalla 30 sekuntia.

Raja-arvojen näyttötilassa vaihda näyttötapaa suhteellisen (REL) tai absoluuttisen (ABS) ilmanpaineen välillä ja 1 tunnin (1h) tai 24 tunnin (24h) sademäärän välillä painamalla [MODE/SET].

Hälytyksen asettaminen

1. Paina normaalitilassa [MAX/MIN/ALARM] 3 sekunnin ajan. Näytölle ilmestyy "HI".
2. Siirry hälytyksen asetustilaan painamalla [MODE/SET] 3 sekunnin ajan.
3. Muuta arvoa painamalla lyhyesti tai pitkään [CHANNEL/+] tai [HISTORY/ -].
4. Aktivoi/sammuta nykyinen hälytys painamalla [MAX/MIN/ALARM]. Valitse **ON** (päällä) tai **OFF** (pois päältä). Kuvake  syttyy, kun hälytys on aktivoitu.
5. Vahvista jokainen vaihe painamalla [MODE/SET].
6. Palaa normaalitilaan painamalla 2 kertaa [SNOOZE/LIGHT].



- **Alarm Clock:** Herätyksen asettaminen (tunnit, minuutit).
- **Rainfall:** Sademäärän hälytysrajan asettaminen (1 tunti "1h", 24 tuntia "24h").
- **Wind:** Tämänhetkisen tuulen nopeuden "GUST" ja keskimääräisen tuulen nopeuden "AVERAGE" hälytysrajan asettaminen.
- **Outdoor:** Ulkolämpömittarin/kosteusmittarin ylemmän "HI" ja alemman "LOW" hälytysrajan asettaminen.
 - Temperature: Lämpötilan hälytysrajojen asettaminen.
 - Humidity: Ilmankosteuden hälytysrajojen asettaminen.
 - Feels like: Koetun lämpötilan hälytysrajojen asettaminen.
 - Dew point: Kastepisteen hälytysrajojen asettaminen.
- **Pressure:** Ilmanpaineen ylemmän ja alemman hälytysrajan asettaminen.
 - Absolute: Absoluuttisen ilmanpaineen hälytysrajojen asettaminen.
 - Relative: Suhteellisen ilmanpaineen hälytysrajojen asettaminen.
- **Indoor:** Sisäilmayksikön lämpötilan ja ilmankosteuden ylemmän ja alemman hälytysrajan asettaminen.
 - Absolute: Absoluuttisen ilmanpaineen hälytysrajojen asettaminen.
 - Relative: Suhteellisen ilmanpaineen hälytysrajojen asettaminen.

Snooze

- Kun hälytys soi, hiljennä hälytys tilapäisesti 5 minuutin ajaksi painamalla [SNOOZE/LIGHT]. Hälytyskuvake jatkaa vilkkumista.
- Hiljennä hälytys pysyvästi painamalla painiketta [CHANNEL/+], [MODE/SET], [MAX/MIN/ALARM] tai [HISTORY/ -].

Kalibrointi

- Jos sääaseman anturi näyttää vääriä arvoja, arvoja voi säätää. Anturien tarkka kalibrointi vaatii viitearvoja mittarista/anturista, jonka tiedät näyttävän oikein.
 - Suhteellisen ilmankosteuden vaihteluväli on aina 10–99 %. Tämän vaihteluvälin ulkopuolelle arvoja ei voi säätää.
1. Nosta tai laske valittua arvoa painamalla [CHANNEL/+] tai [HISTORY/ -]. Muuta arvoa nopeammin painamalla painiketta 3 sekunnin ajan.
 2. Nollaa säädetty arvo painamalla [MAX/MIN/ALARM].
 3. Lopeta kalibrointi ja palaa normaalitilaan painamalla [SNOOZE/LIGHT] tai odottamalla 30 sekuntia.

Lämpötila

1. Siirry normaalilasta kalibrointitilaan painamalla samanaikaisesti [MODE/SET] ja [CHANNEL/+] noin 5 sekunnin ajan. Sisälämpötilan arvo alkaa vilkkua.
2. Aseta viitearvo. Arvoa voi muuttaa 0,1 °C:n välein. Vahvista painamalla [SET/MODE].
3. Ulkolämpötilan arvo alkaa vilkkua. Aseta arvo samalla tavalla kuin kohdassa 2.

Suhteellinen ilmankosteus

1. Siirry normaalilasta kalibrointitilaan painamalla samanaikaisesti [MODE/SET] ja [HISTORY/ -] noin 5 sekunnin ajan. Sisätilan ilmankosteuden arvo alkaa vilkkua.
2. Aseta viitearvo. Arvoa voi muuttaa 1 %:n välein. Vahvista painamalla [SET/MODE].
3. Ulkotilan ilmankosteuden arvo alkaa vilkkua. Aseta arvo samalla tavalla kuin kohdassa 2.

Tuulen nopeus, sademäärä ja ilmanpaine

1. Siirry normaalitilasta kalibrointitilaan painamalla samanaikaisesti [MODE/SET] ja [MAX/MIN/ALARM] noin 5 sekunnin ajan. Tuulen nopeuden kalibrointitekijän arvo alkaa vilkkua (*oletusarvo=1*).
2. Säädä arvoa välillä 0,75–1,25:
kalibroitu tuulen nopeus = kalibrointitekijä x mitattu tuulen nopeus.
3. Säädä sademäärän arvoa painamalla uudelleen [MODE/SET]. Sademäärän kalibrointitekijän arvo alkaa vilkkua (*oletusarvo=1*).
4. Säädä arvoa välillä 0,75–1,25:
kalibroitu sademäärä = kalibrointitekijä x mitattu sademäärä.
5. Säädä absoluuttisen ilmanpaineen arvoa painamalla uudelleen [MODE/SET]. Absoluuttisen ilmanpaineen arvo alkaa vilkkua.
6. Aseta viitearvo. Arvoa voi muuttaa 0,1 hPa:n välein.
7. Säädä suhteellisen ilmanpaineen arvoa painamalla uudelleen [MODE/SET]. Suhteellisen ilmanpaineen arvo alkaa vilkkua.
8. Aseta viitearvo. Arvoa voi muuttaa 0,1 hPa:n välein.

Lopullinen asennus

Huom.

Suosittellemme tutustumaan sisä- ja ulkoyksikköihin ennen niiden asentamista lopullisiin paikkoihin. Näin anturien kalibrointi ja sääaseman eri toimintojen testaaminen on helpompaa.

Paikan valinta

Huomioi seuraavat seikat ennen ulkoyksikön asentamista:

- Sadeanturi tulee puhdistaa 3 kuukauden välein ja paristot tulee vaihtaa noin kerran vuodessa. Asenna ulkoyksikkö helposti saavutettavaan paikkaan.
- Varmista, etteivät lähellä olevat puut tai rakennukset vaikuta haitallisesti ulkoyksikön toimintaan. Nyrkkisääntönä voidaan pitää, että ulkoyksikkö olisi hyvä asentaa vähintään 4 kertaa lähellä olevien esteiden korkeutta kauemmaksi. Jos esimerkiksi rakennuksen korkeus on 6 m, ulkoyksikkö tulisi asentaa $4 \times 6 = 24$ metrin etäisyydelle.
- Vältä lähellä olevista rakennuksista, katoista ym. heijastuvaa lämpösäteilyä.
- Kokeile ulkoyksikköä suunnitellussa asennuspaikassa ennen asennusta. Sisä- ja ulkoyksikön väliset esteet vaikuttavat kantamaan (esim. betoniseinä heikentää signaalia huomattavasti kipsiseinää enemmän).
- Muut samalla taajuudella (868.35 MHz) toimivat langattomat laitteet voivat heikentää kantamaa.

Kokeile ongelmatilanteessa seuraavia keinoja:

- Selvitä, aiheuttavatko muut langattomat laitteet ongelmia sammuttamalla ne.
- Lyhennä yksiköiden välistä etäisyyttä.
- Poista yksiköiden välisiä esteitä, kuten huonekaluja.

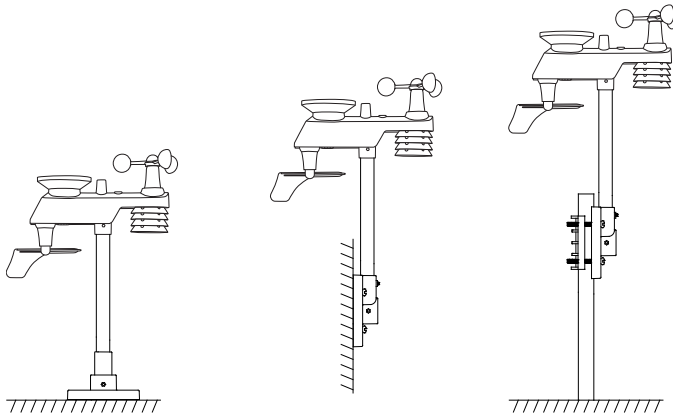
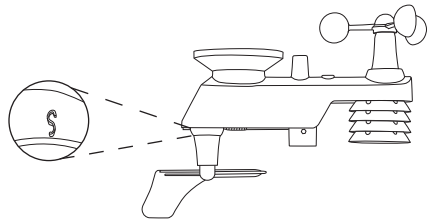
Sisäyksikkö

- Sisäyksikössä on kiinteät lämpötila, ilmankosteutta ja ilmanpainetta mittaavat anturit. Älä siis sijoita laitetta lämpöpattereiden, liedien tai muiden lämmönlähteiden lähelle.
- Vältä sijoittamasta laitetta esim. metallisten ikkunanpielien läheisyyteen, sillä ne voivat häiritä radiosignaalia.
- Sisäyksikköä voi käyttää pöytätuen (21) kanssa tai asentaa seinälle ripustamalla seinäkiinnikkeeseen (17).

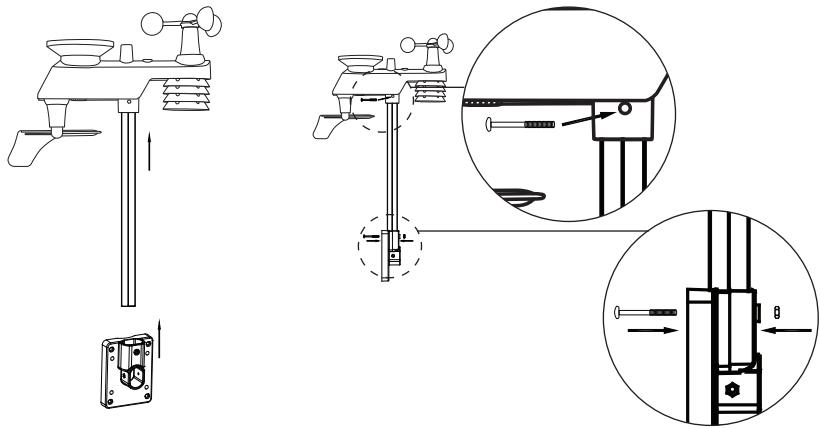
Ulkoyksikkö

Ulkoyksikön asentaminen: Varmista, että asennat ulkoyksikön suoraan. Tarkista libellin (27) avulla.

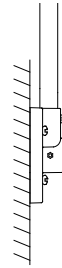
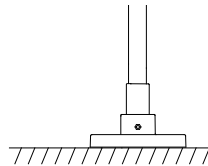
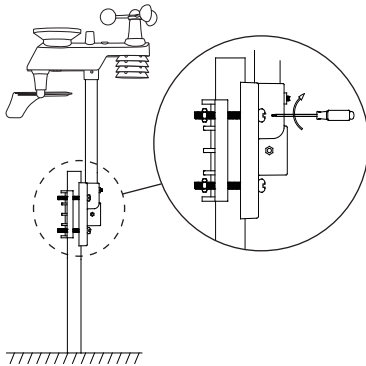
1. Etsi merkintä tuulianturin alapuolelta. Varmista, että merkintä "S" osoittaa etelään.



2. Valitse, asennatko anturin kiinnikkeen vaakatasoon, pystytasoon vai mastoputkeen.



3. Työnnä yhteen ulkoyksikkö, varsi ja kiinnike ja ruuvaa ne kiinni ruuvilla ja mutterilla (M3).



4. – Asennus mastoputkeen: ruuvaa kiinnike ja asennuslevy putkeen ruuvilla ja mutterilla (M5).

- Asennus vaaka- tai pystytasoon: käytä alustalle sopivaa kiinnitystapaa.

Ohjelmisto (WeatherHome)

Ohjelmiston Weather Home ja tietokoneen avulla voit mm. tarkastella mittaustietoja reaaliajassa, tehdä asetuksia sisäyksikköön, asettaa hälytyksiä ja nollata maksimi-/minimiarvot.

Järjestelmävaatimukset

Tietokone	PC, jossa CD-lukija ja USB-portti
Käyttöjärjestelmä	Windows NT4 (Service Pack >= 6a), Windows 2000, Windows Vista, Windows 7–10
Suoritin	Pentium III 500 MHz tai uudempi
Muisti	vähintään 128 Mt, suositeltu 256 Mt

Asentaminen

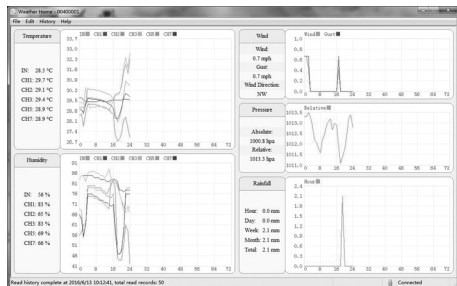
1. Liitä pakkauksen mukana tuleva USB-kaapeli tietokoneeseen ja sisäyksikön USB-liitäntään (18).
2. Varmista, että sinulla on käyttöjärjestelmän järjestelmävalvojan oikeudet.
3. Aseta sääaseman mukana tuleva CD-levy tietokoneeseen. Jos asennusohjelma ei käynnisty automaattisesti: avaa resurssienhallinta, etsi CD-levy ja käynnistä ”WeatherHome.exe”.
4. Noudata asennusohjelman ohjeita ja asenna **Weather Home**.



Käyttö

Avaa ohjelma **Weather Home**.

- Pääsivulla näkyvät senhetkiset mittausravot ja histogrammi.
- Näytä tai piilota kuvaajia napsauttamalla kuvaajien yläpuolella olevia otsikoita.

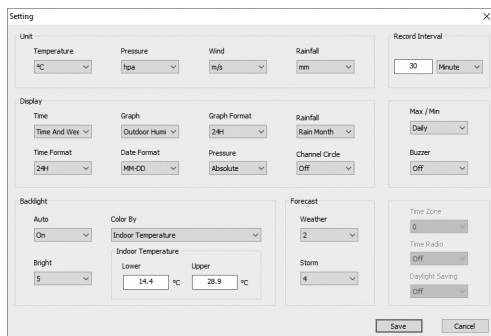


Valikko

File	Exit	Lopeta Weather Home.
Edit	Setting	Mittayksiköiden, taustavalon, mittaustietojen näytön, päivämäärämuodon ym. asettaminen.
	Alarm	Hälytyksen aktivointi/poistaminen. Hälytysrajojen asettaminen.
	Max/min	Korkeimpien ja matalimpien arvojen tarkastelu.
	Language	Kielen asetus.
History	View	Tallennettujen mittaustietojen analyysi ja siirto (.csv tai .pdf).
	History manage	PC-tietokannan ja sisäyksikön muistin tyhjennys.
Help	About WeatherHome	Asennetun ohjelmistoversion näyttö.

Asetukset (Settings)

Ikkunassa näkyy sisäyksikön senhetkiset asetukset. Täällä voit helposti määrittellä, miten mittaus-tiedot näytetään sääaseman näytöllä. Tee haluamasi asetukset ja tallenna muutokset napsauttamalla [Save] tai keskeytä tallentamatta muutoksia painamalla [Cancel].



Unit	Mittayksiköiden asettaminen.
Display	Näyttöasetukset: aika ja päivämäärä (Time, Date), histogrammi (Graph), ilmanpaine (Pressure), sademäärä (Rainfall) ja ulkoisten lämpötila-/ilmankosteusantureiden rullaava näyttö (Channel Circle).
Backlight	Taustavalon kytkeminen päälle tai pois päältä (Auto). Taustavalon kirkkauden säätäminen (Bright). Kiinteän värin tai ulko-/sisälämpötilan mukaan vaihtuvan värin valinta (Color By). Väriskaalan asettaminen (Color Index, Indoor-/Outdoor Temperature), katso luku <i>Asetukset/säädöt</i> .
Forecast	Sääennusteen ja myrskyvaroituksen raja-arvojen säätäminen, katso luku <i>Asetukset/säädöt</i> .
Record Interval	Tallennusvälin asettaminen.
Max/Min	Valitse, nollautuvatko sääaseman maksimi-/minimiarvot automaattisesti joka vuorokausi (Daily) vai nollataanko ne manuaalisesti (History).
Buzzer	Valitse, onko painikkeiden ja hälytysten äänet päällä vai pois päältä.

Hälytysasetukset (Alarm)

Aseta hälytysrajat ja aktivoi/sammuta hälytys. Tee haluamasi asetukset ja tallenna muutokset napsauttamalla [Save] tai keskeytä tallentamatta muutoksia painamalla [Cancel].

Alarm

	High	Low
Indoor Temperature	<input type="checkbox"/> 20.0 °C	<input type="checkbox"/> 0.0 °C
Indoor Humidity	<input type="checkbox"/> 65 %	<input type="checkbox"/> 35 %
Outdoor Temperature	<input checked="" type="checkbox"/> 30.0 °C	<input type="checkbox"/> -10.0 °C
Outdoor Humidity	<input type="checkbox"/> 75 %	<input type="checkbox"/> 45 %
Dew Point	<input type="checkbox"/> 10.0 °C	<input type="checkbox"/> -10.0 °C
Feels Like	<input type="checkbox"/> 20.0 °C	<input type="checkbox"/> 0.0 °C

Absolute Pressure	<input type="checkbox"/> 1040.0 hpa	<input type="checkbox"/> 960.0 hpa
Relative Pressure	<input type="checkbox"/> 1040.0 hpa	<input type="checkbox"/> 960.0 hpa

	High
Wind	<input checked="" type="checkbox"/> 5.0 m/s
Gust	<input type="checkbox"/> 10.0 m/s

Rain Hour	<input type="checkbox"/> 1.0 mm
Rain Day	<input checked="" type="checkbox"/> 50.0 mm

Alarm Time 00:00

Save Cancel

Esimerkissä sisäyksikkö hälyttää, jos ulkolämpötila ylittää 30 °C, keskimääräinen tuulen nopeus on yli 5 m/s ja jos sademäärä on yhden päivän aikana yli 50 mm.

Korkeimmat ja matalimmat mittausarvot (Max/Min)

Max / Min

	Temperature	Humidity	Dew Point	Feels Like
Indoor:	22.4 °C 21.0 °C	29 % 26 %		
Outdoor:	22.1 °C 21.3 °C	29 % 26 %	3.2 °C 1.1 °C	22.1 °C 21.3 °C

Absolute:	955.3 hpa 949.5 hpa
Relative:	979.0 hpa 973.2 hpa

Wind:	0 bft
Gust:	1 bft

Rain Hour:	0.04 in	Rain Week:	0.04 in
Rain Day:	0.04 in	Rain Month:	3.90 in

Max: ■ Min: ■ Daily Max/Min

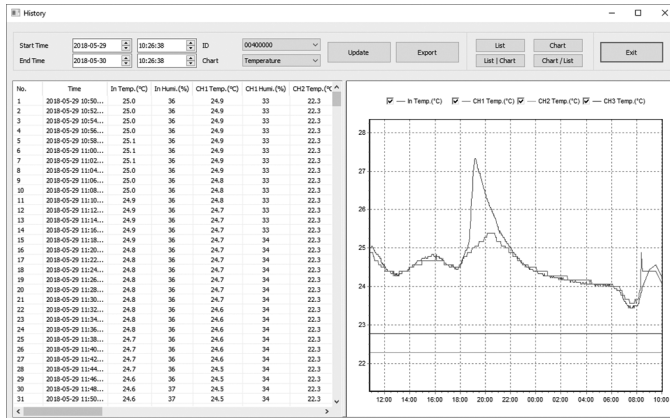
Reset Exit

Korkeimmat arvot on merkitty punaisella ja matalimmat sinisellä.

- Nollaa mittausarvot painamalla [Reset].
- Sulje ikkuna painamalla [Exit].

Huom.! Maksimi-/minimiarvoja nollattaessa kaikkien antureiden tallennetut arvot nollautuvat.

Tallennettujen säätietojen tarkastelu (View)



Kun sisäyksikkö on liitetty tietokoneeseen ja Weather Home on käynnissä, yksikön muisti tallentuu ohjelman tietokantaan.

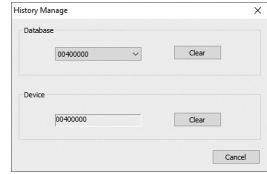
- Säätietojen katselu valitulla aikavälillä:
 1. Aseta aloituspäivä ja kellonaika.
 2. Aseta lopetuspäivä ja kellonaika.
 3. Hae mittausarvot tietokannasta painamalla [Update].
- Valitse vieritysluettelossa (Chart) näytettävät tiedot: lämpötila, ilmankosteus, ilmanpaine, tuuli vai sade.
- Näytä/piilota kuvaajia lisäämällä/poistamalla otsikkorivin ruudun merkintä.
- Valitse, näytetäänkö mittausarvot kuvaajina ja/tai listana valitsemalla [List], [Chart], [List/Chart] tai [Chart/List].
- Kuvaajien analysointi:
 1. Suurena kuvaajan osa valitsemalla alue (pidä hiiren vasen painike pohjassa ja vedä vinosti oikealle).
 2. Vieritä kuvaajaa pitämällä hiiren oikea painike pohjassa ja vetämällä hiirtä sivusuunnassa.
 3. Palaa normaaliin näkymään pitämällä hiiren vasen painike pohjassa ja vetämällä vinosti ylös vasemmalle.
- Vie tiedot .pdf- tai .csv-tiedostoksi (pilkuilla eroteltu teksti Excelissä jne.):
 1. Paina [Export].
 2. Valitse haluamasi tiedostotyyppi ja mihin haluat tiedoston tallentaa. Paina [Save].
 3. Sulje ikkuna painamalla [Exit].

Tietokannan ja sisäyksikön muistin tyhjentäminen (History Manage)

Valitse "History/History Manage" valikosta.

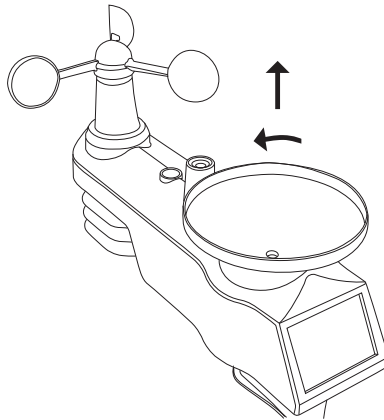
Tietokannan tallentaminen ennen tyhjentämistä:

1. Etsi tietokanta WeatherHome.mdb.
(Esim. Windows 10:ssä se on kansiossa "C:\ProgramData\WeatherHome")
 2. Kopioi tietokanta toiseen kansioon ja/tai nimeä se uudelleen esimerkiksi nimellä "Tammikuu 2019.mdb".
- Tyhjennä tietokanta painamalla [Clear] Database.
 - Tyhjennä sisäyksikön muisti painamalla [Clear] Device.




Huolto ja kunnossapito

- Pyyhi tuote kevyesti kostutetulla liinalla. Käytä mietoa puhdistusainetta. Älä käytä liuottimia tai syövyttäviä kemikaaleja.
- Poista paristot, jos sääasema on pitkään käyttämättä. Vanhat paristot voivat vuotaa ja vioittaa tuotetta.
- Tarkista ja puhdista sadeanturi 3 kuukauden välein tai tarvittaessa:



1. Kierrä sadevedenkerääjää nuolen suuntaan ja vedä se sitten suoraan ylös.
2. Varmista, että sademittari liikkuu vapaasti ja että valumakohdassa (29) ei ole epäpuhtauksia.
3. Aseta sadevedenkerääjä takaisin ja kierrä se paikalleen.

Vianhakutaulukko

<p>Ulkoyksikön anturi ei lähetä tietoja sisäyksikköön. Näytöllä näkyy "--.-".</p>	<ul style="list-style-type: none"> • Kun sisäyksikkö on menettänyt yhteyden anturiin, näytöllä näkyy "--.-" tai "--". Anturien etsintä: Paina [CHANNEL/+] 3 sekunnin ajan. Kuvake  näkyy kolmen minuutin ajan etsinnän ollessa käynnissä. Kun yhteys on muodostettu uudelleen, ** näkyy näytössä kolmen sekunnin ajan ennen kuin nykyinen mitattu arvo tulee näkyviin. • Varmista sisä- ja ulkoyksikön välinen etäisyys. Etäisyyden tulee olla normaalitilanteessa 1,5–30 m. • Kokeile sijoittaa ulkoyksikkö korkeammalle. • Varmista, että ulkoanturin LED-merkkivalo vilkkuu (16 sekunnin välein). • Aseta uudet paristot ulkoyksikköön. Kylmiin olosuhteisiin suositellaan litiumparistoja. • Varmista, että sisäyksikön paristoissa on virtaa. Tyhjentyneet paristot voivat vaikeuttaa ulkoyksikön löytämistä, vaikka sisäyksikköä käytettäisiin muuntajalla. • Varmista, etteivät lähistöllä olevat metallirakenteet tms. häiritse radiosignaalia. • Siirrä sisäyksikkö pois elektronisten laitteiden, kuten reitittimien, tietokoneiden ja televisioiden, läheltä.
<p>Sisä- ja ulkoyksikkö näyttävät eri lämpötilaa/ilmankosteutta, vaikka yksiköt ovat vierekkäin.</p>	<p>Anna anturien tasaantua jopa tunnin ajan. Lämpötilan arvoissa tulee olla korkeintaan 1 °C:n ero (tarkkuus ±0,5 °C) ja ilmankosteuden arvoissa korkeintaan 6 %:n ero (tarkkuus ±3 %). Säädä sisäyksikön arvoja tarvittaessa, katso luku Kalibrointi.</p>
<p>Näytön kontrasti on huono.</p>	<p>Aseta yksikköön uudet paristot.</p>
<p>Näytöllä näkyy sademäärä, vaikka ei sada.</p>	<p>Varmista, että ulkoyksikkö on asennettu vakaasti. Jos yksikkö ei ole kunnolla kiinni esimerkiksi epävakaaassa mastoputkessa, se voi lähettää virheellisiä arvoja.</p>

Kierrättäminen

Tämä kuvake tarkoittaa, että tuotetta ei saa hävittää kotitalousjätteen seassa. Tämä koskee koko EU-aluetta. Virheellisestä hävittämisestä johtuvien mahdollisten ympäristö- ja terveyshaittojen ehkäisemiseksi tuote tulee viedä kierrätettäväksi, jotta materiaali voidaan käsitellä vastuullisella tavalla. Kierrätä tuote käyttämällä paikallisia kierrätysjärjestelmiä tai ota yhteys ostopaikkaan. Ostopaikassa tuote kierrätetään vastuullisella tavalla.



Tekniset tiedot

Anturitiedot

Anturi	Mittausalue	Tarkkuus	Eroittelukyky
Lämpötila sisällä	0...+60 °C	±0,5 °C	0,1 °C
Lämpötila ulkona	-40...+60 °C	±0,5 °C	0,1 °C
Ilmankosteus sisällä	10–99 %	±3 % (välillä 20–90 %)	1 %
Ilmankosteus ulkona	10–99 %	±3 % (välillä 20–90 %)	1 %
Sade	0-9999 mm	<15 mm: ±1 mm 15-9999 mm: ±7 %	<1000 mm (0,3 mm) >1000 mm (1 mm)
Tuulen suunta	0–360 °	8-portainen kompassi	45°
Tuulen nopeus	0–50 m/s	2–10 m/s: ±3 m/s 10–50 m/s: ±10 %	0,1 m/s
Ilmanpaine	300-1100 hpa	±3 hpa	0,1 hpa

Langaton tiedonsiirto

Taajuusalue 868.35 MHz


Kantama, avoin alue 1000 m optimaalisissa olosuhteissa
100 m normaaleissa olosuhteissa

Sisäyksikkö

Paristot 3 kpl LR03/AAA

Käyttöaika noin 12 kuukautta

Muuntaja Tulo: 100–240 V AC, 50/60 Hz

Lähtö: 5,9 V, 500 mA 

Mitat 157 × 210 × 26 mm

Ulkoyksikkö

Päivitystiheys 16 sekunnin välein

Paristot 3 kpl LR6/AA

Käyttöaika noin 12 kuukautta (säystä riippuen)

Mitat 330 × 150 × 280 mm

EC Declaration of Conformity

EG-försäkran om överensstämmelse / Egenerklæring / EY-vaatimustenmukaisuusvakuutus



This declaration of conformity is issued under the sole responsibility of the manufacturer.

EU-försäkran om överensstämmelse utfärdas på tillverkarens eget ansvar. / Egenerklæringen er utstedt under produsentens eget ansvar. / Tämä vaatimustenmukaisuusvakuutus on annettu valmistajan yksinomaisella vastuulla

Manufacturer and person authorised to compile technical file: Clas Ohlson AB, SE-793 85 Insjön, Sweden

Weather Station

FTO203A

369231000

has been manufactured in full compliance with the requirements of the RE-directive 2014/53/EU and relevant harmonized standards

har tillverkats i full överensstämmelse med kraven i 2014/53/EU och relevanta harmoniserade standarder / har blitt produsert i full overensstemmelse med kravene i 2014/53/EU og relevante harmoniserte standarder / on valmistettu noudattaen kokonaisuudessaan koskevan direktiivin 2014/53/EU ja asiaankuuluvat yhdenmukaistetut standardit / hat in voller Übereinstimmung mit den Anforderungen der 2014/53/EU und einschlägigen harmonisierten Normen hergestellt wurde.

Reference to harmonized standards used, or reference to the specifications in which declaration of conformity is declared:

Hänvisning till de harmoniserade standarder som använts eller hänvisningar till de specifikationer som försäkran om överensstämmelse deklarerar: / Referer til harmoniserte standarder som brukes, eller henvisninger til spesifikasjonene der samsvarserklæring er erklært: / Viittaus yhdenmukaistettuihin standardeihin tai viittaus eritelmiin, jossa vaatimustenmukaisuusvakuutus on julistettu: / Referenz verwendet harmonisierten Normen oder Bezugnahme auf die Spezifikationen, in der Konformitätserklärung wird erklart:

Article 3.1a (Safety):	EN 62479:2010
Article 3.1b (EMC):	EN 50663:2017 EN IEC 62368-1:2020+A11:2020 EN IEC 61000-6-1:2019 EN IEC 61000-6-3:2021 EN 301489-3 V2.2.0:2021, EN 301489-1 V2.2.3:2019
Article 3.2 (Radio):	EN 300220-1 V3.1.1:2017 EN 300220-2 V3.2.1:2018

Signed for and on behalf of;

Place and date: 2023-09-25

Anna Strindberg
Sustainability & Compliance Manager

Clas Ohlson AB, SE-793 85 Insjön, Sweden



Sverige

Kundtjänst tel: 0247/445 00
e-post: kundservice@clasohlson.se
Internet www.clasohlson.se
Post Clas Ohlson AB, 793 85 INSJÖN

Norge

Kundesenter tlf.: 23 21 40 00
e-post: kundesenter@clasohlson.no
Internett www.clasohlson.no
Post Clas Ohlson AS, Postboks 485 Sentrum, 0105 OSLO

Suomi

Asiakaspalvelu puh.: 020 111 2222
sähköposti: asiakaspalvelu@clasohlson.fi
Internet www.clasohlson.fi
Osoite Clas Ohlson Oy, Kaivokatu 10 B, 00100 HELSINKI