

41-2300

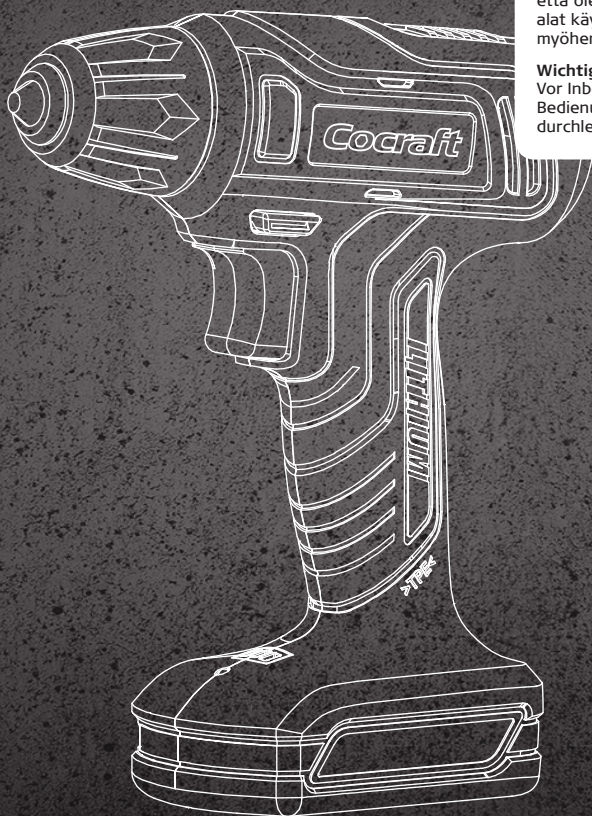
# Cocraft®

DRILL/DRIVER 12 V

## HD 12

SKRUVDRAGARE  
PORAKONE

DRILL  
SCHRAUBER



**Important:**

Read the entire instruction manual carefully and make sure that you fully understand it before you use the equipment. Keep the manual for future reference.

**Viktig information:**

Läs hela bruksanvisningen noggrant och försäkra dig om att du har förstått den innan du använder utrustningen. Spara bruksanvisningen för framtida bruk.

**Viktig informasjon:**

Les disse anvisningene nøye og forsikre deg om at du forstår dem, før du tar produktet i bruk. Ta vare på anvisningene for senere bruk.

**Tärkeää tietoa:**

Lue nämä ohjeet huolellisesti ja varmista, että olet ymmärtänyt neen kuin alat käyttää laitetta. Säilytä ohjeet myöhempää tarvetta varten.

**Wichtiger Hinweis:**

Vor Inbetriebnahme die komplette Bedienungsanleitung sorgfältig durchlesen und aufbewahren.

Art.no  
41-2300

Model  
CDT112EL

Ver. 20191022  
Original instructions  
Bruksanvisning i original  
Originalbruksanvisning  
Alkuperäinen käyttöohje  
Original Bedienungsanleitung

ENGLISH

SVENSKA

NORSK

SUOMI

DEUTSCH

# Cocraft 12 V Drill Driver

Art. no 41-2300 Model CDT112EL

Please read the entire instruction manual before using the product and then save it for future reference. We reserve the right for any errors in text or images and any necessary changes made to technical data. In the event of technical problems or other queries, please contact our Customer Services (see address details on the back).

## Safety

### General safety instructions for cordless power tools

**⚠ Warning: Read all warnings, instructions, illustrations, and specifications provided with this power tool.** *Failure to adhere to the following instructions may lead to electric shock, fire or serious injury.*

SAVE ALL WARNINGS AND INSTRUCTIONS FOR FUTURE REFERENCE

The term “power tool” in the following text refers to your handheld mains operated or battery operated tool.

#### 1) Work area safety

- a) **Keep the work area clean and well lit.** *Cluttered or dark areas invite accidents.*
- b) **Do not operate power tools in explosive atmospheres, such as in the presence of flammable liquids, gases or dust.** *Power tools create sparks which may ignite the dust or fumes.*
- c) **Keep children and bystanders away while operating a power tool.** *Distractions can cause you to lose control.*

#### 2) Electrical safety

- a) **Power tool plugs must match the outlet. Never modify the plug in any way. Do not use any adapter plugs with earthed (grounded) power tools.** *Unmodified plugs and matching outlets will reduce the risk of electric shock.*
- b) **Avoid body contact with earthed or grounded surfaces, such as pipes, radiators, ranges and refrigerators.** *There is an increased risk of electric shock if your body is earthed or grounded.*
- c) **Do not expose power tools to rain or wet conditions.** *Water entering a power tool will increase the risk of electric shock.*
- d) **Do not abuse the cord. Never use the cord for carrying, pulling or unplugging the power tool. Keep the cord away from heat, oil, sharp edges or moving parts.** *Damaged or entangled cords increase the risk of electric shock.*
- e) **When operating a power tool outdoors, use an extension cord suitable for outdoor use.** *Use of a cord suitable for outdoor use reduces the risk of electric shock.*
- f) **If operating a power tool in a damp location is unavoidable, use a residual current device (RCD) protected supply.** *Use of an RCD reduces the risk of electric shock.*

### 3) Personal safety

- a) **Stay alert, watch what you are doing and use common sense when operating a power tool. Do not use a power tool while you are tired or under the influence of drugs, alcohol or medication.** *A moment of inattention while operating power tools may result in serious personal injury.*
- b) **Use personal protective equipment. Always wear eye protection.** *Protective equipment such as dust masks, non-slip safety shoes, hard hats, or hearing protection used for appropriate conditions will reduce personal injuries.*
- c) **Prevent unintentional starting. Ensure the switch is in the off-position before connecting to a power source and/or battery pack, picking up or carrying the tool.** *Carrying power tools with your finger on the switch or energising power tools that have the switch on invites accidents.*
- d) **Remove any adjusting key or wrench before turning the power tool on.** *A wrench or a key left attached to a rotating part of the power tool may result in personal injury.*
- e) **Do not overreach. Keep proper footing and balance at all times.** *This enables better control of the power tool in unexpected situations.*
- f) **Dress properly. Do not wear loose clothing or jewellery. Keep your hair, clothing and gloves away from moving parts.** *Loose clothes, jewellery or long hair can be caught in moving parts.*
- g) **If devices are provided for the connection of dust extraction and collection facilities, ensure these are connected and properly used.** *Use of dust collection equipment can reduce dust related hazards.*
- h) **Do not let the fact that you are used to using power tools make you pay less attention to applicable safety instructions.** *A moment's carelessness can lead to serious injury.*

### 4) Use and maintenance of the power tool

- a) **Do not force the power tool. Use the correct power tool for your application.** *The correct power tool will do the job better and safer if used at the feed rate for which it was designed.*
- b) **Never use the power tool if the power switch does not switch the tool on and off.** *Any power tool that cannot be controlled by the power switch is dangerous and must be repaired.*
- c) **Unplug the lead from the wall socket and/or remove the battery (if it is detachable) before making any adjustments, changing accessories or putting the power tool away for storage.** *These precautions reduce the risk of the power tool starting unexpectedly.*
- d) **Store power tools that are not being used out of children's reach. Do not allow people who are unfamiliar with the tool or its functions to operate it.** *Power tools are dangerous in the hands of untrained users.*
- e) **Maintain power tools and their accessories. Check for any incorrect settings, parts that catch, broken parts or anything else which may cause the power tool to malfunction. If damaged, have the power tool repaired before use.** *Many accidents are caused by poorly maintained power tools.*

- f) **Keep tools sharp and clean.** *Properly maintained cutting tools with sharp cutting edges are less likely to bind and are easier to control.*
- g) **Use the power tool, accessories and similar according to the instructions and in an appropriate way for the type of power tool used, taking into consideration your work environment and the type of work to be done.** *Use of the power tool for a purpose other than that for which it is intended could result in dangerous situations.*
- h) **Keep any handles and gripping surfaces dry, clean and free from oil and grease.** *Slippery handles and gripping surfaces could contribute to unexpected situations in which the power tool cannot be handled and controlled safely.*

## 5) Use and maintenance of the battery

- a) **Only charge the battery using a charger specified by the manufacturer.** *A charger suitable for one type of battery, can pose a fire hazard if used for another type of battery.*
- b) **Only use a battery which has the correct specifications, is designated for and constructed for the power tool you are using.** *Using any other types of batteries may create a risk of fire and injury.*
- c) **When not in use, the battery pack should be stored away from other metal objects such as paper clips, coins, keys, nails, screws or any small metal object that could bridge the gap between the battery terminals.** *Shorting the battery terminals together may cause burns or a fire.*
- d) **If the battery is abused it can leak acid; avoid contact with this acid. If contact accidentally occurs, flush with water. If the acid contacts eyes, additionally seek medical help.** *Battery acid can cause irritation and burns.*
- e) **Never use a power tool or tool battery that has been damaged or modified.** *Damaged or modified batteries may exhibit unpredictable behaviour resulting in fire, explosion or risk of injury.*
- f) **Never expose the battery to high temperatures or naked flames.** *Exposure to fire or temperature above 130 °C (265 °F) may cause the battery to explode.*
- g) **Follow all charging instructions and never charge the power tool or battery outside the temperature range specified in this instruction manual.** *Charging improperly or at temperatures outside the specified range may damage the battery and increase the risk for fire.*

## 6) Service

- a) **Repairs and service should only be performed by qualified tradesmen, and only with original spare parts.** *This will ensure that the safety of the power tool is maintained.*
- b) **Never attempt to repair damaged batteries.** *Service of tool batteries should only be performed by the manufacturer or authorised service technicians.*

## Specific safety instructions for drilling and screwdriving

Always hold the power tool by the insulated gripping surfaces whenever there is the risk of the drill bit or tool attachment coming in contact with energised electrical cables including the flex of the drill itself. *Drill attachments which contact live wires may energise any metallic components on the housing of the power tool and lead to an electric shock.*

### Safety instructions for working with long drill bits

- **Never operate the drill at a higher speed than the maximum speed rating of the drill bit.** *At higher speeds, the drill bit is likely to bend if allowed to rotate freely without contact with the workpiece, which can lead to personal injury.*
- **Always start drilling at low speed and with the tip of the drill bit in contact with the workpiece.** *At higher speeds, the drill bit is likely to bend if allowed to rotate freely without contact with the workpiece, which can lead to personal injury.*
- **Only apply pressure in a direct line with the drill bit and do not apply excessive pressure.** *Bits can break and cause loss of control resulting in personal injury.*

### Additional safety instructions

- **Immediately switch the power tool off if the tool attachment jams. Be prepared for high torque which will cause the power tool to twist.** *A cutting tool/accessory could jam in the workpiece if it is clamped or if the power tool is overloaded.*
- **Always grip the power tool firmly.** *Screwing fasteners in and out generates high instances of torque.*
- **Secure the workpiece firmly.** *A workpiece that is held in a clamp or vice is more secure than one which is held by hand.*
- **Use appropriate detectors to check the work area for concealed electrical cables and gas or water pipes. Contact a professional if you need help.** *Contact with live electrical wires may lead to fire or electric shock. Damaging a gas pipe may cause an explosion. Damaged water pipes can cause extensive property damage.*
- **Wait until the power tool stops completely before you lay it down.** *Attached tool accessories may catch on objects and cause you to lose control of the tool.*
- **A damaged or abused battery may emit vapours. The battery could catch fire or explode.** *Make sure that the workplace is well ventilated and seek medical advice if you feel affected by the vapours. The vapours can cause respiratory tract irritation.*
- **Never open the battery.** *Doing so poses a risk for short-circuiting.*
- **The battery can be damaged by sharp objects such as nails, screwdrivers or other external stress or impacts to the housing.** *Short-circuiting within the housing may result which can lead to smoke, fire, explosion or overheating.*
- **Only use the battery in products from the manufacturer.** *This protects the battery from dangerous overloading.*
- **Do not subject the battery to excessive heat such as continuous sunlight or fire. Do not expose it to water or moisture either.** *Doing so poses a risk of explosion.*

## Safety symbols on the product



Read the entire instruction manual.



Always use a face mask.

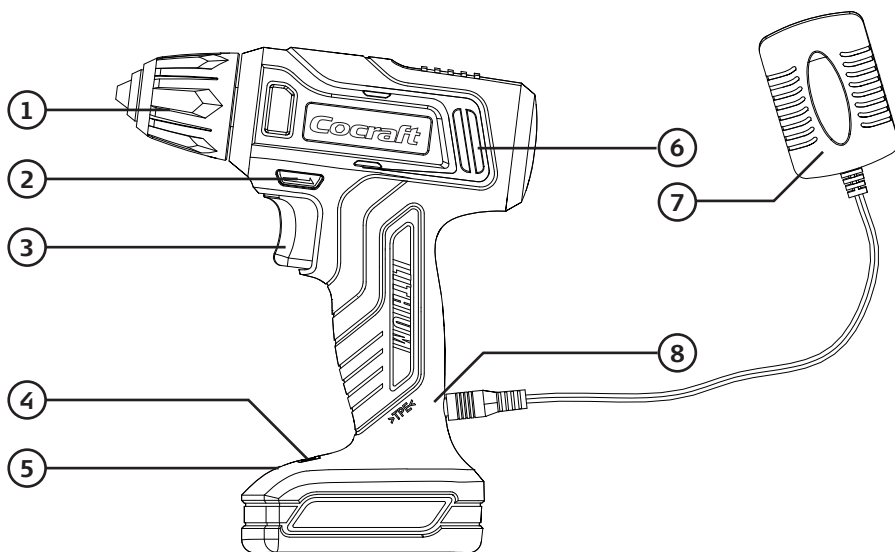


Always use safety glasses.



Always use ear protection.

## Product description



1. Keyless chuck
2. Forward/reverse selector and power trigger lock
3. Power trigger (variable speed control)
4. Battery status indicators
5. Light
6. Motor housing ventilation slits
7. Charger
8. Input socket for charger

## Instructions for use

### Charging

The battery should be charged at normal room temperature (18–24 °C). Do not charge the battery if the ambient temperature is below 4 °C or higher than 40 °C.

1. Plug the charger into a wall socket.
2. Plug the DC connector on the cable from the charger into the socket on the drill driver (8).
3. The battery charge status indicators (4) indicate as follows:
  - The battery is fully discharged when the charger is connected: steady red light only
  - As the battery is charging: steady red and yellow light. Then steady red, yellow and green light.
  - Fully charged battery: steady green light only

### **Important**

If the drill driver is hot or has been operated so that the battery has become too hot to charge, the battery status indicators will flash red when the charger is connected. Let the drill driver cool before beginning to charge the battery.

## **Overload protection and other safety features**

The battery has a number of safety features to prevent damage to the drill driver and battery during use.

- During short high-load situations the overload protection may turn the drill/driver off. This protection resets automatically. Release the trigger, wait a few seconds, ensure that the drill driver is under no load and then restart it. The drill driver should now function normally again.
- If subjected to a high load for an extended period the overheating protection may turn the drill driver off. This feature is self-resetting but the drill driver cannot be restarted until it has returned to normal operating temperature. Let the drill driver and battery cool properly before trying to start working again. Exposure to continuous sunlight can give rise to detrimental temperatures and should therefore be avoided.
- The battery has a deep discharge undervoltage protection device which operates when the battery becomes discharged. The undervoltage protection device turns the drill driver off automatically and the battery then needs to be recharged.

## **Functions**

### ***Power trigger***

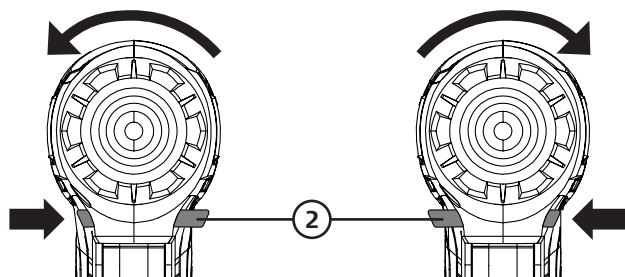
- The drill driver is started and stopped by squeezing or releasing the power trigger (3).
- The drill driver is equipped with a variable speed control, which makes it extremely practical for screwdriving. The more the power trigger is squeezed, the higher the speed of the chuck.

### ***Work light***

The drill driver is equipped with a light (5) which is positioned close to the battery so that it can light up the work area without being obscured by the chuck. The light comes on when the trigger is pulled and goes off about 4 seconds after the trigger has been released.



## Forward/reverse selector, trigger lock

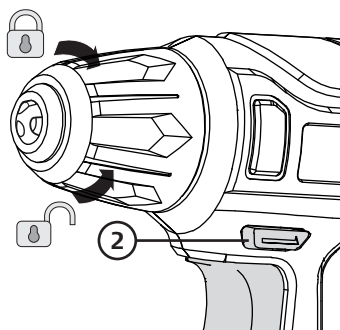


Choose the direction of rotation (forward or reverse) using the selector (2). The rotation selector also has a middle setting which locks the power trigger. If the selector is set to this middle position, the drill driver will not start.

## Changing drill and screwdriver bits

The drill driver has a keyless chuck which enables drill bits or screwdriver bits to be changed with one hand. Twist the chuck to the left to tighten, to the right to untighten. Make sure that the bit is tight and centred in the chuck.

1. Set the selector (2) to the middle position to lock the trigger.
1. Twist the chuck in the direction shown in the picture to tighten/untighten respectively.



## Drilling tips and advice

- When drilling into slippery materials, like tiles, you should place a strong piece of tape on the area in which you wish to drill to prevent the bit from wandering.
- When drilling into metal you should first use a centre punch to make a small indentation at the spot where you wish to drill. This indentation will help hold the bit in place and prevents it from wandering when you drill.
- When drilling into metal you should also use cutting oil to assist in drilling and to preserve the machine and drill bit.
- Always use a clamp or vice to hold the workpiece.
- When drilling into walls, make sure not to damage water pipes, electricity cables or gas pipes.

# Care, maintenance and storage

## Drill driver

- Clean the exterior of the drill driver with a soft brush or cloth. Never use water, solvents or corrosive chemicals for cleaning.
- Regularly remove all dirt, especially from around the motor ventilation slits (6).
- Store the drill driver in a dry place out of children's reach whenever it is not to be used for a long time.
- Store the drill driver at room temperature and charge the battery fully every 6 months in order to maintain its capacity.

## Charger

- Keep the housing of the charger clean. Wipe it clean with a dry cloth and vacuum it clean if necessary. Dirt can cause electric shocks.
- Unplug the charger and store it in a dry, dust-free environment out of children's reach whenever it is not in use.

## Troubleshooting guide

The drill driver doesn't start.	The battery is discharged. Charge the battery.
The drill driver is sluggish and/or cuts out.	<ul style="list-style-type: none"> <li>• Too much force applied. Decrease the applied force.</li> <li>• The battery might be overheated. Refer to the <i>Overload protection and other safety features</i> section.</li> </ul>
Poor battery operating time.	The battery is not fully charged. A few charging cycles where the battery is charged 100% might be needed before it reaches full capacity.
The battery does not charge.	<ul style="list-style-type: none"> <li>• Check that the charger is properly plugged into a wall socket.</li> <li>• Is the wall socket energised?</li> <li>• The battery is too hot, let it cool.</li> <li>• Make sure that the charger and charging cable are intact and that the input socket (8) on the drill driver is intact and free from dirt and debris.</li> </ul>
Poor battery capacity after charging.	The battery is not fully charged. Charge the battery until the green indicator (4) shines a steady green.

## Responsible disposal

This symbol indicates that the product should not be disposed of with general household waste. This applies throughout the entire EU. In order to prevent any harm to the environment or health hazards caused by incorrect waste disposal, the product must be handed in for recycling so that the material can be disposed of in a responsible manner. When recycling your product, take it to your local collection facility or contact the place of purchase. They will ensure that the product is disposed of in an environmentally sound manner.

## Specifications

### Drill driver

<b>Battery</b>	12 V (Nominal 11.1 V)
<b>Battery capacity</b>	1300 mAh
<b>No-load speed</b>	0–750 rpm
<b>Chuck</b>	10 mm
<b>Charging time</b>	5 hours
<b>Drill bit capacity for wood</b>	16 mm
<b>Drill bit capacity for steel</b>	8 mm
<b>Weight</b>	810 g
<b>Noise emission LpA</b>	75.3 dB(A), Uncertainty K = 5 dB(A)
<b>Noise emission LwA</b>	86.3 dB(A), Uncertainty K = 5 dB(A)
<b>Vibration data Drilling into metal</b>	ah,D= 3.63 m/s <sup>2</sup> , Uncertainty K = 1.5 m/s <sup>2</sup>

### Charger

**Input** 100–240 V AC 50/60 Hz, 10 W

**Output** 13.5 V DC, 300 mA.

### Vibration

- The measurement of the vibration emission level (triaxial vector sum) and the noise level values declared in this instruction manual have been carried out in accordance with a standardised test method described in EN 62841 and can be used for comparing one power tool with another.
- The measurement method may also be used for a preliminary assessment of vibration exposure.
- The declared vibration emission level applies when the power tool is used in accordance with this instruction manual. If however, the power tool is used for other purposes and with other accessories or has not been properly maintained, the vibration emission level could increase significantly over the total working period.
- For an exact assessment of the vibration exposure, the times when the tool is switched off or running idle should also be taken into account. This significantly reduces the vibration exposure over the total working period. Decide upon safety measures to protect the operator from the effects of vibration during all types of use.

# Skruvdragare Cocraft 12 V

Art.nr 41-2300 Modell CDT112EL

Läs igenom hela bruksanvisningen före användning och spara den sedan för framtida bruk. Vi reserverar oss för ev. text- och bildfel samt ändringar av tekniska data. Vid tekniska problem eller andra frågor, kontakta vår kundtjänst (se adressuppgifter på baksidan).

## Säkerhet

### Generella säkerhetsinstruktioner för laddbara handverktyg

**⚠ Varning!** Läs alla varningar, instruktioner, illustrationer och specifikationer som medföljer det här elektriska handverktyget. Om nedanstående instruktioner inte följs kan detta leda till elektrisk stöt, brand eller allvarlig kroppsskada.

SPARA ALLA VARNINGAR OCH INSTRUKTIONER FÖR FRAMTIDA BRUK

Termen "elektriskt handverktyg" i varningstexten nedan refererar till ditt nätanslutna eller batteridrivna handverktyg.

#### 1) Arbetsutrymmet

- a) **Håll arbetsutrymmet rent och väl upplyst.** *Belamrade och mörka utrymmen inbjuder till olyckor.*
- b) **Använd inte elektriska handverktyg i explosiva miljöer, som i närheten av lättantändliga vätskor, gaser eller damm.** *Elektriska handverktyg genererar gnistor som kan antända damm och ångor.*
- c) **Håll barn och åskådare på avstånd när du använder det elektriska handverktyget.** *Störningsmoment kan göra att du tappar kontrollen över verktyget.*

#### 2) Elektrisk säkerhet

- a) **Det elektriska handverktygets stickpropp måste passa i vägguttaget. Modifiera aldrig stickproppen på något vis. Använd aldrig adapter tillsammans med jordade elektriska handverktyg.** *Omodifierade stickproppar och passande vägguttag minskar risken för elektrisk stöt.*
- b) **Undvik kroppskontakt med jordade föremål, som rör, element, köksspis eller kylskåp.** *Det innebär ökad risk för elektrisk stöt om din kropp är jordad.*
- c) **Utsätt inte det elektriska handverktyget för regn eller våta förhållanden.** *Om vatten tränger in i ett elektriskt handverktyg ökar det risken för elektrisk stöt.*
- d) **Misshandla inte nätsladden. Använd aldrig nätsladden för att bära eller dra handverktyget eller för att rycka stickproppen ur vägguttaget. Håll undan nätsladden från värme, olja, vassa kanter och rörliga delar.** *Skadade eller trassliga nätsladdar ökar risken för elektrisk stöt.*
- e) **När du använder ett elektriskt handverktyg utomhus, använd en skarvsladd anpassad för detta ändamål.** *Användning av en skarvsladd för utomhusbruk minskar risken för elektrisk stöt.*

- f) **Om du måste använda ett elektriskt handverktyg på en fuktig plats, anslut verktyget till elnätet via en jordfelsbrytare.** *Användning av jordfelsbrytare minskar risken för elektrisk stöt.*

### 3) Personlig säkerhet

- a) **Var uppmärksam på vad du gör och använd sunt förnuft när du använder ett elektriskt handverktyg.** *Använd inte ett elektriskt handverktyg om du är trött eller påverkad av droger, alkohol eller medicinering. Ett ögonblicks ouppmärksamhet när du använder ett elektriskt handverktyg kan resultera i allvarlig personskada.*
- b) **Använd skyddsutrustning. Bär alltid skyddsglasögon.** *Användning av skyddsutrustning som andningsskydd, hals säkra skyddsskor, hjälm och hörselskydd vid behov minskar risken för personskada.*
- c) **Undvik oavsiktlig start. Se till att strömbrytaren är i läge OFF innan du ansluter stickproppen till vägguttaget.** *Att bära ett elektriskt handverktyg med ett finger på strömbrytaren/avtryckaren eller att ansluta ett elektriskt handverktyg till elnätet när strömbrytaren är i läge ON inbjuder till olyckor.*
- d) **Ta bort alla serviceverktyg/nycklar innan du slår på det elektriska handverktyget.** *Ett kvarglömmt serviceverktyg på en roterande del av det elektriska handverktyget kan resultera i personskada.*
- e) **Sträck dig inte för långt. Se till att du står stadigt med god balans hela tiden.** *Detta möjliggör bättre kontroll i oväntade situationer.*
- f) **Bär lämplig klädsel. Bär inte löst sittande kläder eller smycken. Håll undan hår, kläder och handskar undan från rörliga delar.** *Lösa kläder, smycken eller långt hår kan fastna i rörliga delar.*
- g) **Om utrustning för utsugning och uppsamling av damm finns tillgänglig, se till att denna är ansluten och används.** *Användning av dessa hjälpmedel kan minska dammrelaterade faror.*
- h) **Låt inte det faktum att du är van att använda elektriska handverktyg göra att du blir mindre uppmärksam på de säkerhetsinstruktioner som gäller.** *Oförsiktigt handhavande kan på bråkdelen av en sekund leda till svåra kroppsskador.*

### 4) Användning och underhåll av det elektriska handverktyget

- a) **Pressa inte det elektriska handverktyget.** *Använd ett elektriskt handverktyg som är avsett för det arbetsmoment du utför. Korrekt elektriskt handverktyg gör jobbet bättre och säkrare med rätt matningshastighet.*
- b) **Använd inte det elektriska handverktyget om strömbrytaren inte slår på och stänger av verktyget.** *Alla elektriska handverktyg som inte kan kontrolleras med strömbrytaren är farliga och måste repareras.*
- c) **Ta ut stickproppen ur vägguttaget och/eller ta bort batteriet (om det är löstagbart) innan du utför några justeringar, byter tillbehör eller lägger undan det elektriska handverktyget för förvaring.** *Dessa åtgärder i förebyggande syfte minskar risken för att det elektriska handverktyget startas oavsiktligt.*

- d) Förvara elektriska handverktyg som inte används utom räckhåll för barn och låt inte personer som inte är förtrogna med det elektriska handverktyget eller dessa instruktioner att använda det. *Elektriska handverktyg är farliga om de kommer i händerna på ovana användare.*
- e) Underhåll elektriska handverktyg och dess tillbehör. Kontrollera om något är felinställt, om rörliga delar kärvar, om delar har gått sönder eller om något annat kan påverka funktionen av det elektriska handverktyget. Om något är skadat måste det repareras före användning. *Många olyckor beror på dåligt underhållna elektriska handverktyg.*
- f) Håll verktygen vassa och rena. Ordentligt underhållna skärverktyg med vassa eggar är mindre benägna att kärva och lättare att kontrollera.
- g) Använd det elektriska handverktyget och tillbehör etc. enligt instruktionerna och på det sätt som är avsett för just den typen av elektriskt handverktyg. Ta även hänsyn till arbetsförhållandena och den typ av arbete som ska utföras. *Användning av det elektriska handverktyget för arbeten andra än vad det är ämnat för kan resultera i farliga situationer.*
- h) Håll handtag och greppytor torra, rena och fria från olja och fett. *Hala handtag och greppytor bidrar till oförutsedda situationer där det elektriska handverktyget inte kan hanteras på ett säkert sätt.*

## 5) Användning och underhåll av batteriet

- a) Ladda endast med den laddare som rekommenderats av tillverkaren. *En laddare som är avsedd för en viss typ av batterier kan utgöra en brandrisk om den används för att ladda andra typer av batterier.*
- b) Använd endast de batterier som har rätt specifikationer, är speciellt avsedda för och som är konstruerade för just det elektriska handverktyg som du använder. *Om du använder någon annan typ av batterier kan det leda till brand och kroppskada.*
- c) När batteriet inte används, förvara det på avstånd från andra metallföremål som gem, mynt, nycklar, spikar, skruvar eller andra små metallföremål som kan skapa kontakt från ena batteripolen till den andra. *Kortslutning av batteripolerna kan orsaka brännskador eller brand.*
- d) Om batteriet misshandlats kan syra läcka från batteriet, undvik kontakt med läckande batterier. Om du av misstag kommer i kontakt med syran, spola rikligt med vatten. Om syran kommer i kontakt med ögonen, uppsök dessutom läkare. *Syra som kommer från batteriet kan orsaka irritation och brännskador.*
- e) Använd aldrig ett elektriskt handverktyg eller ett batteri som modifierats eller skadats. *Skadade eller modifierade batterier kan bete sig oberäkneligt vilket kan leda till brand, explosion och kroppskada.*
- f) Utsätt aldrig batteriet för öppen eld eller höga temperaturer. *Om batteriet utsätts för temperaturer över 130 °C (265 °F) kan det explodera.*
- g) Följ alla instruktioner gällande laddning och ladda aldrig batteriet eller det elektriska handverktyget i andra temperaturer än de som anges i den här bruksanvisningen. *Laddning som utförs på fel sätt eller i andra temperaturer än de som anges i den här bruksanvisningen kan skada batteriet och öka brandrisken.*

## 6 Service

- a) **Låt endast behörig personal utföra service och reparationer, och endast med originalreservdelar.** Detta garanterar att säkerheten hos det elektriska handverktyget bibehålls.
- b) **Försök aldrig reparera skadade batterier.** Batterier som behöver service eller underhåll får endast hanteras av tillverkaren eller av behörig personal.

## Särskilda säkerhetsföreskrifter för borring och skruvdragning

Håll endast i det elektriska handverktygets isolerade handtag när du arbetar i miljöer där skärverktyget eller fästelementet kan komma i kontakt med strömförande elledningar eller den egna nätkabeln. Om fästelement kommer i kontakt med strömförande elledningar kan detta leda till att verktygets metalldelar blir strömförande, vilket kan leda till elektrisk stöt.

### Säkerhetsinstruktioner vid arbete med långa borrbits

- **Arbeta aldrig med ett högre varvtal än borrbitsens högsta tillåtna varvtal.**
- *Vid högre varvtal kan borrbitsen böjas, om den tillåts att rotera fritt utan att ha kontakt med arbetsstycket, vilket kan leda till kroppsskada.*
- **Börja alltid borra med lågt varvtal och se till att borrbitsens spets har kontakt med arbetsstycket.** *Vid högre varvtal kan borrbitsen böjas, om den tillåts att rotera fritt utan att ha kontakt med arbetsstycket, vilket kan leda till kroppsskada.*
- **Snedbelasta aldrig borrbitsen och tryck aldrig omotiverat hårt.** *Borrbitsen kan gå av vilket kan göra att du tappar kontrollen med kroppsskada som följd.*

### Ytterligare säkerhetsföreskrifter

- **Slå omedelbart av det elektriska handverktyget om monterat skärverktyg/bits fastnar.** *Var beredd på höga vridmoment vilket kan leda till oförutsedda kast. Skärverktyg/bits fastnar i arbetsstycket om det kläms fast eller om det elektriska handverktyget överbelastas.*
- **Håll i det elektriska handverktyget ordentligt.** *När skruvar dras i eller ur kan höga vridmoment tillfälligt uppstå.*
- **Sätt fast arbetsstycket ordentligt.** *Ett arbetsstycke som spänts fast med tving etc. eller som sitter i ett skruvstycke sitter säkrare än om det hålls med handkraft.*
- **Använd lämpliga detektorer för att upptäcka om el-, gas eller vattenledningar finns i arbetsområdet.** *Kontakta vid behov lokal entreprenör. Kontakt med elledningar kan leda till brand eller elektrisk stöt. Att skada gasledning kan orsaka explosion. Skadade vattenledningar kan orsaka omfattande skada på egendom.*
- **Vänta tills det elektriska handverktyget stannat helt innan du lägger ner det.** *Monterat tillbehör kan fastna och göra att du förlorar kontrollen.*
- **Ett skadat eller misshandlat batteri kan avge ångor. Batteriet kan antändas eller explodera.** *Försäkra dig om att arbetsplatsen är välventilerad och uppsök läkare om du på något sätt skulle känna dig påverkad av ångorna. Ångorna kan irritera luftvägarna.*

- **Öppna aldrig batteriet.** *Risk för kortslutning.*
- **Batteriet kan skadas av vassa föremål så som spikar, skruvmejslar eller annan yttre påverkan mot höljet.** *Kortslutning innanför höljet kan uppstå vilket kan leda till rökutveckling, brand, explosion eller överhettning.*
- **Använd endast batteriet i produkter från tillverkaren.** *Detta skyddar batteriet mot farlig överbelastning.*
- **Utsätt inte batteriet för stark värme som t.ex. ihållande starkt solljus eller öppen eld. Utsätt det inte heller för vatten eller fukt.** *Risk för explosion.*

## Produktmärkning med säkerhetssymboler



Läs bruksanvisningen



Läs hela bruksanvisningen.



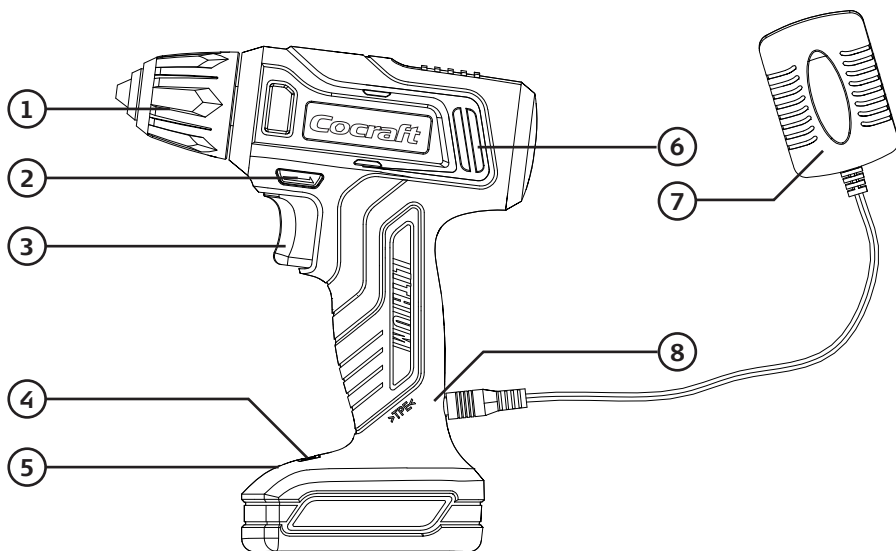
Använd alltid skyddsglasögon.



Använd alltid hörselskydd.



## Produktbeskrivning



1. Nyckellös chuck
2. Omkopplare för höger-/vänstergång, spärr för strömbrytare
3. Strömbrytare (steglös)
4. Indikatorer för batteristatus
5. Belysning
6. Motors ventilationsöppningar
7. Laddare
8. Anslutning för laddare

## Användning

### Laddning

Batteriet mår bäst av att laddas i normal rumstemperatur (18–24 °C).  
Ladda inte batteriet i temperaturer lägre än 4 °C eller högre än 40 °C.

1. Anslut laddaren till ett vägguttag.
2. Anslut laddkabeln till skruvdragarens anslutning för laddare (8).
3. Laddindikatorn för batteristatus (4) indikerar enligt följande:
  - Batteriet helt urladdat när laddaren ansluts: endast rött fast sken
  - Allt eftersom batteriet laddas upp: rött och gult fast sken.  
Sedan rött, gult, och grönt fast sken.
  - Fulladdat batteri: endast grönt fast sken

## **Viktigt!**

Om skruvdragaren stått varmt eller körts så hårt att batteriet blivit för varmt för att laddas blinkar laddindikatorn rött när laddaren ansluts. Låt skruvdragaren svalna innan du laddar batteriet.

## **Överbelastning och skydd**

Batteriet är utrustat med ett antal skydd för att undvika skada på skruvdragare och batteri.

- Vid kortvarig hög belastning kan överbelastningsskyddet stänga av skruvdragaren. Skyddet är självåterställande. Släpp strömbrytaren och vänta några sekunder, se till att skruvdragaren är utan belastning och starta den på nytt. Skruvdragaren ska nu fungera normalt igen.
- Vid hög belastning under längre tid kan ett överhettningsskydd stänga av skruvdragaren. Skyddet är självåterställande men skruvdragaren går inte att starta förrän temperaturen sjunkit till en säker nivå. Låt skruvdragaren/batteriet svalna innan du försöker starta. Skadliga temperaturer kan även uppstå vid ihållande solljus vilket ska undvikas.
- Batteriet har ett underspänningsskydd vilket träder in när batteriet blir urladdat. Underspänningsskyddet stänger då av skruvdragaren automatiskt och batteriet måste laddas.

## **Funktioner**

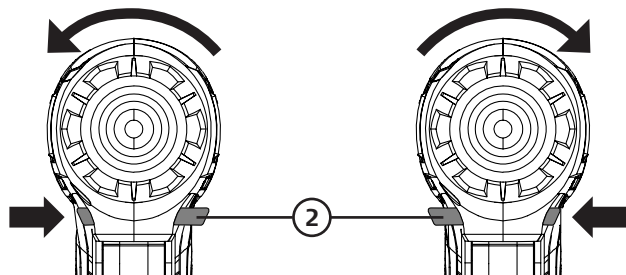
### ***Strömbrytaren***

- Starta och stoppa skruvdragaren genom att trycka in och släppa strömbrytaren (3).
- Skruvdragaren är utrustad med steglös varvtalsreglering vilket underlättar vid skruvdragning. Ju mer strömbrytaren trycks in, desto högre blir varvtalet.

### ***Belysning***

Skruvdragaren är utrustad med belysning (5) som för att ge bästa ljus är placerad vid batteriet för att inte skymmas av chucken. Belysningen tänds när strömbrytaren trycks in och släcks efter ca 4 sek från det att strömbrytaren släppts.

## Omkopplare för höger-/vänstergång, spärr

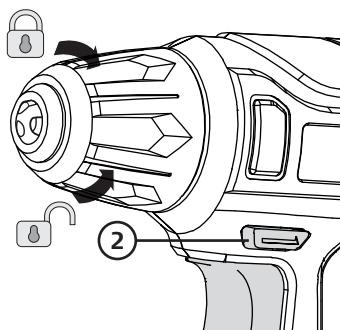


Välj höger- eller vänstergång med omkopplaren (2). Omkopplaren har även ett mittläge som spärrar strömbrytaren. När omkopplaren står i mittläget kan skruvdragaren inte startas.

### Montering/byte av borr eller bits

Skruvdragaren har nyckellös chuck som gör det enkelt att byta borr eller bits med en hand. Vrid till vänster för att greppa, till höger för att lossa. Försäkra dig om att borren/bitsen sitter ordentligt fast och är centrerad i chucken.

1. Ställ omkopplaren (2) i mittläge så att strömbrytaren är låst.
2. Vrid chucken enligt bilderna för att låsa resp. lossa borr/bits.



## Råd och tips om borring

- Vid borring i glatta material, t.ex. klinker, bör du sätta en kraftig tejpbitt där du ska borra så att borsten inte glider åt sidan.
- Vid borring i metall bör du först använda en körnare och göra en liten grop där du ska borra. Denna lilla grop fixerar sedan borsten på rätt ställe så att den inte glider åt sidan.
- Vid borring i metall bör du även använda gäng-/skärolja för att spara på verktygen.
- Använd alltid tving/skruvstycke för att hålla fast ämnet som ska bearbetas.
- Vid borring i vägg, se till att inte skada vatten-, el-, gasledning etc.

# Skötsel, underhåll och förvaring

## Skruvdragare

- Rengör skruvdragaren utvändigt med en mjuk borste eller trasa. Använd inte vatten, lösningsmedel eller frätande kemikalier.
- Avlägsna regelbundet alla föroreningar, speciellt från motorns ventilationsöppningar (6).
- Förvara skruvdragaren torrt och utom räckhåll för barn om den inte ska användas under en längre period.
- Förvara skruvdragaren i rumstemperatur och ladda batteriet helt var 6:e månad för att bibehålla kapaciteten.

## Laddare

- Se till att hålla höljet rent. Torka av det med en torr trasa och dammsug vid behov. Föroreningar kan leda till elektrisk stöt.
- Dra ut laddaren ur vägguttaget och förvara den torrt och dammfritt utom räckhåll för barn när den inte används.

## Felsökningsschema

Skruvdragaren startar inte.	Batteriet är urladdat. Ladda batteriet.
Skruvdragaren går sakta och/eller stängs av.	<ul style="list-style-type: none"> <li>• För hård matning. Minska på matningen.</li> <li>• Batteriet kan vara överhettat. Se avsnittet <i>Överbelastning och skydd</i>.</li> </ul>
Dålig batteritid.	Batteriet är inte fulladdat. Det kan behöva några laddcykler där det laddas till 100 % innan det uppnår full kapacitet.
Batteriet laddas inte.	<ul style="list-style-type: none"> <li>• Kontrollera att laddaren är ordentligt ansluten till vägguttaget.</li> <li>• Finns det ström i vägguttaget?</li> <li>• Batteriet är överhettat, låt det svalna.</li> <li>• Kontrollera att laddaren och laddkabeln är oskadade och se till att laddkabelns anslutning (8) på skruvdragare är hel och fri från föroreningar.</li> </ul>
Batteriet har dålig batteritid efter att det har laddats.	Batteriet är inte fulladdat. Ladda tills den gröna indikatorn (4) lyser med fast grönt sken.

## Avfallshantering

Denna symbol innebär att produkten inte får kastas tillsammans med annat hushållsavfall. Detta gäller inom hela EU. För att förebygga eventuell skada på miljö och hälsa, orsakad av felaktig avfallshantering, ska produkten lämnas till återvinning så att materialet kan tas omhand på ett ansvarsfullt sätt. När du lämnar produkten till återvinning, använd dig av de returhanteringssystem som finns där du befinner dig eller kontakta inköpsstället. De kan se till att produkten tas om hand på ett för miljön tillfredställande sätt.

## Specifikationer

### Skruvdragare

<b>Batteri</b>	12 V (Nominellt 11,1 V)
<b>Batterikapacitet</b>	1300 mAh
<b>Varvtal</b>	0–750 v/min
<b>Chuck</b>	10 mm
<b>Laddtid</b>	5 tim
<b>Borrkapacitet trä</b>	16 mm
<b>Borrkapacitet metall</b>	8 mm
<b>Vikt</b>	810 g
<b>Ljud LpA</b>	75,3 dB(A), Onoggrannhet K = 5 dB(A)
<b>Ljud LwA</b>	86,3 dB(A), Onoggrannhet K = 5 dB(A)
<b>Vibrationsvärden Borring i metall</b>	ah,D= 3,63 m/s <sup>2</sup> , Onoggrannhet K = 1,5 m/s <sup>2</sup>

### Laddare

In:100–240 V AC 50/60 Hz, 10 W

Ut:13,5 V DC, 300 mA

### Vibration

- Mätningen av den vibrationsnivå (vektorsumma i tre led) och de ljudvärden som anges i denna bruksanvisning har utförts enligt en mätmetod som är standardiserad i EN 62841 och kan användas vid jämförelse av olika elektriska handverktyg.
- Mätmetoden är även lämplig för preliminär bedömning av vibrationsbelastningen.
- Den angivna vibrationsnivån gäller när det elektriska handverktyget används på det sätt som beskrivs i den här bruksanvisningen. Om däremot det elektriska handverktyget används för andra ändamål och med andra tillbehör eller inte har underhållits ordentligt kan vibrationsnivån under arbetsperioden öka betydligt.
- För en exakt bedömning av vibrationsbelastningen bör även de tider beaktas när det elektriska handverktyget är frånkopplat eller är igång utan att det används. Detta reducerar vibrationsbelastningen betydligt för den totala arbetsperioden. Bestäm säkerhetsåtgärder för att skydda operatören mot vibrationernas inverkan vid alla typer av användning.


# Cocraft drill 12 V

Art.nr. 41-2300 Modell CDT112EL

Les gjennom hele bruksanvisningen før produktet tas i bruk, og ta vare på den for fremtidig bruk. Vi tar forbehold om eventuelle feil i tekst og bilder, samt endringer av tekniske data. Ved tekniske problemer eller andre spørsmål, kontakt vårt kundesenter (se kontaktinformasjon på baksiden).

## Sikkerhet

### Generelle sikkerhetsinstruksjoner for ladbart elektroverktøy

 **Advarsel!** Les alle sikkerhetsadvarsler, instruksjoner, illustrasjoner og spesifikasjoner som medfølger dette elektriske verktøyet. Hvis ikke veiledningen følges kan dette føre til elektrisk støt, brann eller alvorlig kroppsskade.

### TA VARE PÅ ALLE ADVARSLER OG INSTRUKSJONER FOR FREMTIDIG BRUK

Med "elektrisk håndverktøy" i den følgende teksten menes verktøy som enten er koblet til strømmettet eller drevet med batteri.

#### 1) Arbeidsplassen

- Hold arbeidsplassen ren, ryddig og godt opplyst.** Rot og dårlig opplyst arbeidsplass kan forårsake ulykker.
- Ikke bruk elektriske håndverktøy i eksplosjonsfarlige omgivelser, som for eksempel nær lettantennelige væsker, gasser eller støv.** Elektrisk håndverktøy kan danne gnister, som igjen kan antenne støv eller trespon.
- Hold barn og andre på god avstand når håndverktøy er i bruk.** Forstyrrelser kan føre til at man mister kontrollen.

#### 2) Sikkerhet ved bruk av elektrisk strøm

- Støpselet til det elektriske verktøyet må passe i strømmuttaket. Støpselet må ikke endres på. Bruk aldri adapter sammen med elektrisk håndverktøy som krever jording.** Ved bruk av originale støpsler reduseres faren for elektrisk støt.
- Unngå kroppskontakt med jordede gjenstander, som rør, ovner, komfyrer, kjøleskap etc.** Kroppskontakt med disse øker faren for elektrisk støt.
- Elektrisk håndverktøy bør ikke utsettes for regn eller fuktighet.** Hvis det kommer vann inn i et elektrisk håndverktøy, øker faren for elektrisk støt.
- Påse at ikke strømledningen blir skadet. Bær aldri apparatet i strømledningen. Trekk heller ikke i strømledningen når støpselet skal tas ut av strømmuttaket. Hold ledningen unna varme, olje, skarpe kanter og bevegelige deler.** Skadede eller deformerte ledninger kan øke faren for elektrisk støt.
- Ved bruk av elektrisk håndverktøy utendørs, skal man benytte en skjøteledning som er beregnet til dette formålet. Når skjøteledning som er beregnet for utendørs bruk benyttes, reduseres faren for elektrisk støt.**

- f) **Dersom det elektriske håndverktøyet skal brukes i fuktige omgivelser, må verktøyet kobles til stømnettet via en jordfeilbryter.** *Bruk av jordfeilbryter reduserer faren for elektrisk støt.*

### 3) Personlig sikkerhet

- a) **Vær våken og bruk sunn fornuft når du bruker et elektrisk verktøy. Ikke bruk elektriske håndverktøy når du er trett eller påvirket av rusmidler, alkohol eller sterke medisiner.** *Når du bruker elektrisk håndverktøy kan et lite øyeblikks uoppmerksomhet resultere i store personskader.*
- b) **Bruk verneutstyr. Benytt alltid vernebriller.** *Bruk av verneutstyr som støvmasker, skliskre såler på skoene, hjelm og hørselsvern ved behov, reduserer faren for personskade.*
- c) **Unngå uønsket oppstart. Påse at strømbryteren står i posisjon OFF før strømmen kobles til.** *Det å bære et elektrisk håndverktøy med en finger på avtrekkeren/strømbryteren, eller å koble til strømmen mens strømbryteren står i posisjon ON, kan forårsake ulykker.*
- d) **Fjern alle nøkler/serviceverktøy før det elektriske håndverktøyet startes.** *Et gjenglemt serviceverktøy på en roterende del, kan forårsake personskader.*
- e) **Strek deg ikke for langt. Påse at du står stødig og har god balanse under hele arbeidsoperasjonen.** *Da er du bedre forberedt når uventede situasjoner oppstår.*
- f) **Bruk fornuftige arbeidsklær. Ikke bruk løstsittende klær og smykker. Hold klær, hansker og smykker unna bevegelige deler.** *Løstsittende klær, smykker eller langt hår, kan feste seg i bevegelige deler.*
- g) **Hvis det er mulig å koble til en støvsamler/støvsuger, bør dette gjøres.** *Ved bruk av slike hjelpemidler, kan en redusere faren for støvrelaterte skader og ulykker.*
- h) **Ikke la det faktum at du er vant med bruk av elektrisk håndverktøy gjøre at du blir mindre oppmerksom på de sikkerhetsinstruksjoner som gjelder.** *Uforsiktig bruk kan på brøkdelen av et sekund føre til alvorlig kroppsskade.*

### 4) Bruk og vedlikehold av det elektriske håndverktøyet

- a) **Ikke press det elektriske håndverktøyet. Bruk elektriske håndverktøy som er tilpasset den arbeidsoperasjonen du skal utføre.** *Korrekt elektrisk håndverktøy gjør jobben bedre og sikrere med riktig matehastighet.*
- b) **Ikke bruk det elektriske håndverktøyet dersom strømbryteren ikke fungerer tilstrekkelig for å starte og stoppe maskinen.** *Alle elektriske håndverktøy som ikke kan kontrolleres med strømbryteren er farlige og må repareres.*
- c) **Trekk støpselet fra strømuttaket og/eller fjern batteriet (hvis det er sitter løst) før du utfører justeringer, bytter tilbehør eller legger til side elektroverktøyet for oppbevaring.** *Disse tiltak i forebyggende hensikt minsker faren for at det elektriske håndverktøyet startes utilsiktet.*
- d) **Oppbevar elektriske håndverktøy som ikke brukes utenfor barns rekkevidde og la ikke personer som ikke er fortrolig med det elektriske håndverktøyet eller dets instruksjoner bruke det.** *Elektriske håndverktøy kan være farlige hvis de kommer i hendene på brukere uten erfaring.*

- e) **Vedlikehold elektriske håndverktøy og dets tilbehør. Kontroller om noe er feilinnstilt, at bevegelige deler fungerer som de skal, at ingen deler er skadet eller at noe annet kan påvirke elektroverktøyet sine funksjoner. Dersom noe er skadet må det repareres før bruk.** *Mange ulykker oppstår pga. dårlig vedlikeholdte elektriske håndverktøy.*
- f) **Hold verktøyene skarpe og rene.** *Godt vedlikeholdte skjærende verktøy med skarpe egger er mindre utsatt for problemer og lettere å kontrollere.*
- g) **Bruk det elektriske håndverktøyet og tilbehøret etc. som beskrevet i instruksjonene, og på den måten som er beregnet for nettopp den typen elektrisk håndverktøy. Ta også hensyn til arbeidsforholdene og den type arbeid som skal utføres.** *Bruk av det elektriske håndverktøyet til andre formål enn hva det er beregnet for kan resultere i farlige situasjoner.*
- h) **Håld håndtak og gripeflater tørre, rene og fri for olje og fett.** *Glatte håndtak og gripeflater bidrar til uforutsette situasjoner der det elektriske håndverktøyet ikke kan kontrolleres på en sikker måte.*

### 5) Bruk og vedlikehold av batteriet

- a) **Lad batteriet kun med den laderen som anbefales av produsenten.** *En lader som er beregnet til en viss type batterier kan utgjøre en brannfare hvis den brukes til lading av andre typer batterier.*
- b) **Bruk kun batterier som har riktige spesifikasjoner, er spesielt beregnet for og som er konstruert for nettopp det elektriske håndverktøyet du bruker.** *Dersom det benyttes en annen type batterier kan det føre til brann og kroppsskade.*
- c) **Når batteriet ikke brukes, oppbevar det på avstand fra andre metallgjenstander som binders, mynter, nøkler, spikere, skruer eller andre små metallgjenstander som kan danne kontakt fra en batteripol til en annen.** *Kortslutning av batteripolene kan forårsake brannskader eller brann.*
- d) **Hvis batteriet behandles uforsiktig kan det lekke syre fra batteriet.** *Unngå kontakt med lekkende batterier. Hvis du ved et uhell skulle komme i kontakt med batterisyre, skylk rikelig med vann. Dersom syren kommer i kontakt med øynene, oppsøk dessuten lege.* *Syre som lekker fra batteriet kan forårsake irritasjon og brannskader.*
- e) **Bruk aldri et elektrisk håndverktøy eller et batteri som er modifisert eller skadet.** *Et skadet eller modifisert batteri kan oppføre seg uberegnelig, som igjen kan medføre brann, eksplosjon og kroppsskade.*
- f) **Utsett aldri batteriet for åpen ild eller høye temperaturer.** *Om batteriet utsettes for temperaturer over 130 °C (265 °F) kan det eksplodere.*
- g) **Følg alle instruksjoner gjeldende lading og lad aldri batteriet eller det elektriske håndverktøyet under andre temperaturer enn det som angis i denne bruksanvisningen.** *Lading som utføres på feil måte eller i andre temperaturer enn det som angis i denne bruksanvisningen kan skade batteriet og øke brannfaren.*



## 6 Service

- La kun kyndig person utføre service og reparasjoner, og kun med bruk av originale reservedeler.** Dette garanterer at sikkerheten i det elektriske håndverktøyet opprettholdes.
- Forsøk aldri å reparere et skadet batteri.** Batterier som trenger service eller ettersyn må kun håndteres av produsenten eller av kyndig person.

## Særskilte sikkerhetsforskrifter for boring og skrutrekking

Hold kun i det elektriske håndverktøyet isolerte håndtak når du arbeider i miljøer der skjæreverktøyet eller festeelementet kan komme i kontakt med strømførende ledninger eller den egne nettkabelen. Dersom festeelement kommer i kontakt med strømførende ledninger kan dette medføre at verktøyet metalldele blir strømførende, hvilket kan lede til elektrisk støt.

### Sikkerhetsinstruks ved bruk av lange borbits

- **Arbeid aldri med høyere turtall enn bitsens høyest anbefalte turtall.** Ved forhøyet turtall kan bitsen bøyes, hvis den tillates å rotere fritt uten å ha kontakt med arbeidsstykket, og kan medføre kroppsskade.
- **Start alltid boring med lavt turtall og se alltid til at borbitsens spiss har kontakt med arbeidsstykket.** Ved forhøyet turtall kan bitsen bøyes, hvis den tillates å rotere fritt uten å ha kontakt med arbeidsstykket, og kan medføre kroppsskade.
- **Skråbelast aldri borbitsen og trykk aldri umotivert hardt.** Borbitsen kan brette av, som igjen kan medføre at du mister kontrollen, med kroppsskade som følge.

### Ytterligere sikkerhetsforskrifter

- **Stopp umiddelbart det elektriske håndverktøyet dersom montert skjæreverktøy/bits kiler seg fast. Vær forberedt på at høyt dreiemoment kan føre til uforutsette kast.** Skjæreverktøy/bits kan sette seg fast i arbeidsstykket hvis det klemmes fast eller om det elektriske håndverktøyet overbelastes.
- **Hold godt fast i det elektriske håndverktøyet.** Når skruer skrues inn eller ut kan høyt dreiemoment tilfeldig oppstå.
- **Sett arbeidsstykket ordentlig fast.** Et arbeidsstykke som er spent fast med tvinge etc. eller som sitter i en skruestikke sitter sikrere enn om det holdes med håndkraft.
- **Bruk en detektor for å finne skjulte strøm-, gass – eller vannledninger i arbeidsområdet.** Ved behov, kontakt en fagkyndig person. Kontakt med strømledninger kan føre til brann eller elektrisk støt. Å skade gassledninger kan forårsake eksplosjon. Skader på vannledninger kan medføre omfattende skade på eiendom.
- **Vent til det elektriske håndverktøyet stopper helt før du legger det fra deg.** Montert tilbehør kan sette seg fast og føre til at du mister kontrollen.
- **Et skadet eller mishandlet batteri kan avgi damp. Batteriet kan derfor antennes eller eksplodere.** Forsikre deg om at arbeidsplassen er godt ventilert og oppsøk lege dersom du på noen måte skulle føle deg påvirket av dampen. Damp kan irritere luftveiene.

- **Åpne aldri batteriet.** *Fare for kortslutning.*
- **Batteriet kan skades av skarpe gjenstander, så som spikre, skrutrekkere eller annen ytre påvirkning mot maskinhuset.** *Kortslutning på maskinhusets innside kan oppstå og lede til røykutvikling, brann, eksplosjon eller overoppheting.*
- **Bruk kun produsentens batteriet til produktet.** *Det beskytter batteriet mot farlig overbelastning.*
- **Utsett ikke batteriet for sterk varme som f.eks. vedvarende sterkt sollys eller åpen ild. Utsett det heller ikke for vann eller fukt.** *Fare for eksplosjon.*

## Produktmerking med sikkerhetssymboler



Les bruksanvisningen



Bruk støvmaske

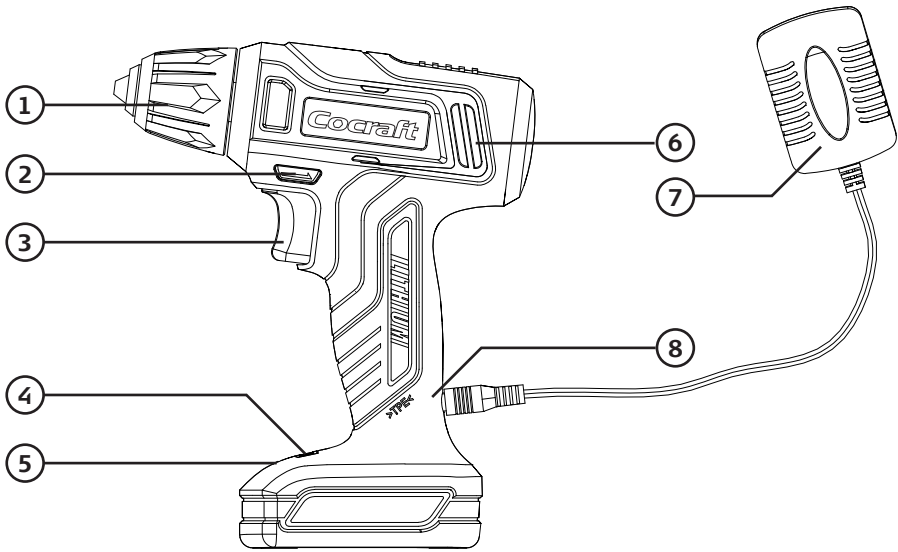


Bruk vernebriller



Bruk hørselvern

## Produktbeskrivelse



1. Nøkkelfri chuck
2. Omkobler for høyre-/venstregange, sperre for strømbryter
3. Strømbryter (trinnløs)
4. Indikatorer for batteristatus
5. Belysning
6. Motorens ventilasjonsåpninger
7. Lader
8. Tilkobling for lader

## Bruk

### Lading

Batteriet bør helst lades i normal romtemperatur (18–24 °C). Ikke lad batteriet i temperaturer under 4 °C eller over 40 °C.

1. Tilkoble laderen til et strømuttak.
2. Tilkoble ladekabelen til drillens uttak for lader (8).
3. Ladeindikatoren for batteristatus (4) indikerer følgende
  - Rødt, fast lys ved tilkobling av lader: batteriet er helt utladet
  - Rødt og gult fast lys, og deretter grønt: batteriet lades
  - Grønt fast lys: batteriet er fulladet.

## **Viktig!**

Hvis drillen har stått varmt eller vært kjørt så hardt at batteriet har blitt for varmt for å lades, blinker ladeindikatoren rødt når laderen tilkobles. La maskinen avkjøles før batteriet lades.

## **Overbelastning og beskyttelse**

Batteriet er utstyrt med diverse beskyttelser for å unngå skader på maskinen og batteriet.

- Ved kortvarig høy belastning kan overbelastningsvernet skru av maskinen. Beskyttelsen stilles tilbake av seg selv. Slipp opp strømbryteren og vent i noen sekunder. Pass på at maskinen ikke er belastet, og start den på nytt. Nå skal den fungere normalt igjen.
- Ved høy belastning over lengre tid kan et overopphetingsvern stenge maskinen. Beskyttelsen stiller seg tilbake selv, men maskinen kan ikke startes før temperaturen har sunket til et sikkert nivå. La maskinen/batteriet avkjøles før den startes opp igjen. For høye temperaturer kan også oppstå ved direkte, vedvarende sollys. Utsett derfor ikke maskinen for direkte sollys over tid.
- Batteriet har et underspenningsvern som virker inn når batteriet er utladet. Underspenningsvernet skrur av maskinen automatisk og batteriet må lades.

## **Funksjoner**

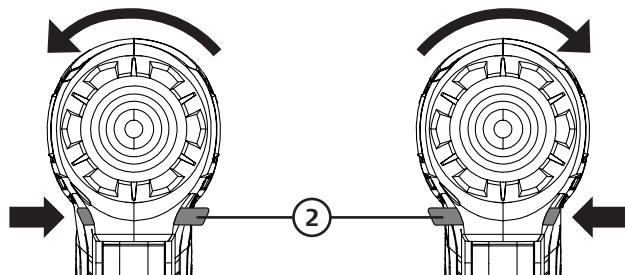
### ***Strømbryter***

- Maskinen startes og stoppes ved å trykke inn eller slippe strømbryteren (3).
- Maskinen er utstyrt med trinnløs turtallregulering. Dette forenkler ved skrutrekking. Jo lengre avtrekkeren trykkes inn, desto høyere blir turtallet.

### ***Belysning***

Drillen er utstyrt med belysning (5) som er plassert ved batteriet for å gi best mulig lys. Belysningen tennes når strømbryteren trykkes inn og slukker etter ca 4 sek. etter at strømbryteren er sluppet.

## Omkobler for høyre-/venstregange, lås

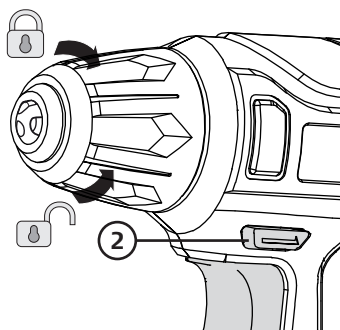


Velg høyre – eller venstregange med omkobleren (2). Omkobleren har også en midtre posisjon som låser strømbryteren. Når omkobleren står i mellomposisjon kan ikke drillen startes.

### Montering/bytte av bor eller bits

Drillen er utstyrt med nøkkelfri chuck som gjør bytte av bor eller bits svært enkelt. Vri mot venstre for å gripe, til høyre for å løsne. Forviss deg om at boret/bitsen sitter godt fast og at det er sentrert i chucken.

1. Still omkobleren (2) i midtposisjon for å låse strømbryteren.
2. Vri chucken i hht. bildene for å gripe resp. løsne bor/bits.



## Råd og tips om boring

- Ved boring i materialer med glatt overflate, som i keramiske fliset etc., bør man feste en kraftig teipbit der man skal bore. Dette for at boret ikke skal gli bort fra punktet du ønsker å bore.
- Ved boring i metall bør du først bruke en kjørner og lage en grop der du skal bore. Denne gropen forhindrer at boret glir til siden når boringen starter.
- Ved boring i metall bør du også bruke gjenge-/skjærolje for å spare verktøyet.
- Bruk alltid tvinge/skrustikke for å holde emnet som skal bearbejdes fast.
- Ved boring i vegg må man forsikre seg om at det ikke bores i vannrør, strømkabler, gassledninger etc.

# Vedlikehold og oppbevaring

## Drill

- Rengjør maskinen utvendig med en myk børste eller klut. Bruk aldri vann, løsemidler eller etsende kjemikalier.
- Fjern regelmessig all forurensning, spesielt fra motorens ventilasjonsåpninger (6).
- Når maskinen ikke er i bruk skal den lagres tørt og utilgjengelig for barn.
- Oppbevar maskinen i romtemperatur og lad batteriet helt opp hver 6. måned for å opprettholde kapasiteten.

## Lader

- Sørg for å holde laderen ren. Tørk av med en tørr klut og støvsug ved behov. Forurensninger kan føre til elektrisk støt.
- Fjern laderen fra strømuttaket og oppbevar den tørt og støvfritt utenfor barns rekkevidde når den ikke er i bruk.

## Feilsøkingsskjema

Maskinen starter ikke.	Batteriet er utladet. Lad opp batteriet.
Maskinen går sakte og/eller stopper.	<ul style="list-style-type: none"><li>• For hard mating. Reduser matingen.</li><li>• Batteriet kan være overopphetet. Se avsnittet <i>Overbelastning og beskyttelse</i>.</li></ul>
Kort batteritid.	Batteriet er ikke fulladet. Det kan trenge noen ladesykluser hvor det lades opp 100 % før full kapasitet oppnås.
Batteriet lades ikke.	<ul style="list-style-type: none"><li>• Kontroller at laderens strømkabel er riktig koblet til strømuttaket.</li><li>• Er det strøm i strømuttaket?</li><li>• Batteriet er for varmt, la det avkjøles.</li><li>• Kontroller at laderen og ladekabelen er uskadet og sørg for at ladekabelens tilkobling (8) til drillen er hel og ren.</li></ul>
Batteriet har dårlig kapasitet etter lading.	Batteriet er ikke fulladet. Lad opp til den grønne indikatoren (4) lyser med fast grønt lys.

## Avfallshåndtering

Dette symbol innebærer at produktet ikke må kastes sammen med øvrig husholdningsavfall. Dette gjelder innen hele EØS. For å forebygge eventuelle skader på helse og miljø som følge av feil avfallshåndtering skal produktet leveres til gjenvinning, slik at materialet blir tatt hånd om på en ansvarsfull måte. Når produktet skal kasseres, benytt eksisterende systemer for returhåndtering eller kontakt forhandler. De vil ta hånd om produktet på en miljømessig forsvarlig måte.

## Spesifikasjoner

### Drill

<b>Batteri</b>	12 V (Nominelt 11,1 V)
<b>Batterikapasitet</b>	1300 mAh
<b>Turtall</b>	0–750 o/min.
<b>Chuck</b>	10 mm
<b>Ladetid</b>	5 timer
<b>Borekapasitet tre</b>	16 mm
<b>Borekapasitet metall</b>	8 mm
<b>Vekt</b>	810 g
<b>Lydtrykk LpA</b>	75,3 dB(A), Unøyaktighet K = 5 dB(A)
<b>Lydtrykk LwA</b>	86,3 dB(A), Unøyaktighet K = 5 dB(A)
<b>Vibrasjonsverdi boring i metall</b>	ah,D= 3,63 m/s <sup>2</sup> , Unøyaktighet K = 1,5 m/s <sup>2</sup>

### Lader

Inn 100–240 V AC 50/60 Hz, 10 W  
Ut 13,5 V DC; 300 mA; 6 W

### Vibrasjon

- Måling av vibrasjonsnivå (vektorsum i tre ledd) og lydverdier som oppgis i denne bruksanvisningen er utført i henhold til målemetode som er standardisert i EN 62841. Disse verdiene kan brukes til sammenlikning av forskjellige typer elektriske håndverktøy.
- Målemetoden kan også benyttes til foreløpige målinger av vibrasjonsbelastningen.
- Vibrasjonsnivået som er oppgitt gjelder når det elektriske håndverktøyet brukes som beskrevet i bruksanvisningen. Hvis verktøyet skal brukes til andre formål og med annet tilbehør eller ikke er tilstrekkelig vedlikeholdt kan vibrasjonsnivået øke betraktelig.
- For å få en grundig vurdering av vibrasjonsbelastningen bør man også ta i betraktning den tiden håndverktøyet er frakoblet eller er i gang uten å bli brukt. Dette reduserer vibrasjonsbelastningen betydelig for den totale arbeidsperioden. Når man skal vurdere sikkerhetstiltak mot vibrasjonenes påvirkning på operatøren bør det tas hensyn til alle typer bruk av håndverktøyet.

# Porakone Cocraft 12 V

Tuotenro 41-2300 Malli CDT112EL

Lue koko käyttöohje ja säästä se tulevaa käyttöä varten. Pidätämme oikeuden teknisten tietojen muutoksiin. Emme vastaa mahdollisista teksti- tai kuvavirheistä.

Jos tuotteeseen tulee teknisiä ongelmia, ota yhteys myymälään tai asiakaspalveluun (yhteystiedot käyttöohjeen lopussa).

## Turvallisuus

### Ladattavia käsityökaluja koskevat yleiset turvallisuusohjeet

**⚠️ Varoitus!** Lue kaikki sähkökäyttöisen käsityökalun mukana tulevat ohjeet, varoitukset, kuvat ja tekniset tiedot. *Alla olevien ohjeiden noudattamatta jättäminen saattaa johtaa sähköiskuun, tulipaloon tai vakavaan loukkaantumiseen.*

SÄÄSTÄ KAIKKI OHJEET JA VAROITUSTIEDOT TULEVAA KÄYTTÖÄ VARTEN.

Varoitustekstin termi ”sähkökäyttöinen käsityökalu” tarkoittaa verkkovirralla tai akulla toimivaa käsikäyttöistä työkalua.

#### 1) Työtilat

- a) **Pidä työtilat puhtaina ja hyvin valaistuina.** *Täynnä tavaraa olevat ja huonosti valaistut tilat lisäävät onnettomuusriskiä.*
- b) **Älä käytä sähkökäyttöisiä käsityökaluja räjähdysriskissä ympäristössä, kuten helposti syttyvien nesteiden, kaasujen tai pölyn lähellä.** *Sähkökäyttöiset käsityökalut muodostavat kipinöitä, jotka saattavat sytyttää pölyn, kaasut tai nestehöyryn palamaan.*
- c) **Pidä lapset ja sivulliset loitolla, kun käytät sähkökäyttöisiä käsityökaluja.** *Häiriötekijät saattavat johtaa laitteen hallinnan menettämiseen.*

#### 2) Sähköturvallisuus

- a) **Sähkökäyttöisen käsityökalun pistokkeen tulee olla yhteensopiva käytetyn pistorasian kanssa. Älä muuta pistoketta millään tavalla. Älä käytä adapteria maadoitettujen sähkökäyttöisten sähkötyökalujen kanssa.** *Muuttamattomien pistokkeiden ja asianmukaisten pistorasioiden käyttö vähentää sähköiskun riskiä.*
- b) **Vältä koskettamasta maadoitettuja esineitä, kuten putkia, lämpöpattereita, hellaa tai jääkaappia.** *Sähköiskun riski kasvaa, mikäli kehosi on maadoitettu.*
- c) **Älä altista sähkökäyttöistä käsityökalua sateelle äläkä käytä sitä kosteissa olosuhteissa.** *Veden joutuminen sähkökäyttöiseen käsityökaluun lisää sähköiskun vaaraa.*
- d) **Käsittele sähköjohtoa varoen! Älä käytä sähköjohtoa laitteen kantamiseen äläkä irrota pistoketta pistorasiasta johdosta vetämällä. Älä altista virtajohtoa kuumuudelle, öljyille, teräville reunoille tai liikkuville osille.** *Vioittuneet tai sotkeutuneet virtajohtot lisäävät sähköiskun vaaraa.*



- e) **Kun käytät sähkökäyttöistä käsityökalua ulkona, käytä ainoastaan ulkokäyttöön sopivia jatkojohtoja.** *Ulkokäyttöön sopivan jatkojohdon käyttäminen vähentää sähköiskun vaaraa.*
- f) **Jos sähkökäyttöistä käsityökalua käytetään kosteassa ympäristössä, se tulee liittää sähköverkkoon vikavirtasuojakytkimen kautta.** *Vikavirtasuojakytkimen käyttö vähentää sähköiskun vaaraa.*

### 3) Henkilöturvallisuus

- a) **Ole tarkkaavainen ja käytä tervettä järkeä, kun työskentelet sähkökäyttöisellä käsityökalulla.** *Älä käytä sähkökäyttöistä käsityökalua, mikäli olet väsynyt tai päihdyttävien aineiden, lääkkeiden tai alkoholin vaikutuksen alainen.* *Lyhyenkin hetken kestävä tarkkaavaisuuden herpaantuminen saattaa johtaa vakavaan loukkaantumiseen.*
- b) **Käytä suojarusteita. Käytä aina suojalaseja.** *Suojavarusteiden, kuten hengityssuojaimen, liukastumista estävien turvakengien, kypärän ja kuulosuojaimienkäyttäminen vähentää loukkaantumisvaaraa.*
- c) **Vältä tahatonta käynnistystä. Varmista, että virtakytkin on asennossa OFF ennen kuin liität pistokkeen seinäpistorasiaan.** *On äärimmäisen vaarallista kantaa sähkökäyttöistä käsityökalua sormi liipaisimella tai liittää sähkökäyttöinen käsityökalu pistorasiaan virtakytkimen ollessa ON-asennossa.*
- d) **Poista kaikki huoltotyökalut/avaimet ennen kuin käynnistät sähkökäyttöisen käsityökalun.** *Sähkökäyttöisen käsityökalun liikkuvan osan päälle unohdettu työkalu saattaa johtaa onnettomuuteen.*
- e) **Älä kurota liian pitkälle. Varmista, että työasentosi on tasapainoinen työn jokaisessa vaiheessa.** *Näin olet paremmin varustautunut mahdollisen onnettomuuden sattuessa.*
- f) **Käytä tarkoituksenmukaisia vaatteita. Älä käytä löysiä vaatteita tai koruja. Pidä hiukset, vaatteet ja käsineet loitolla liikkuvista osista. Löysät vaatteet, korut tai pitkät hiukset saattavat juuttua liikkuviin osiin.**
- g) **Jos käytössäsi on pölynpoistojärjestelmä, käytä sitä.** *Tällaisten apuvälineiden käyttö saattaa vähentää pölyyn liittyviä vaaroja.*
- h) **Vaikka olisitkin tottunut käyttämään sähköisiä käsityökaluja, tutustu turvallisuusohjeisiin ja huomioi ne laitetta käyttäessäsi.** *Laitteen varomaton käsittely voi hetkessä johtaa vakavaan loukkaantumisen.*

### 4) Sähkökäyttöisten käsityökalujen käyttäminen ja huoltaminen

- a) **Älä pakota sähkökäyttöistä käsityökalua.** *Käytä vain sellaista sähkökäyttöistä käsityökalua, joka soveltuu suunnittelemaasi työtehtävään.* *Oikealla työkalulla ja tarkoituksenmukaisella syöttönopeudella työskentely on tehokkaampaa ja turvallisempaa.*
- b) **Älä käytä sähkökäyttöistä käsityökalua, jos virtakytkin ei toimi.** *Kaikki sähkökäyttöiset käsityökalut, joita ei voi hallita virtakytkimellä, ovat vaarallisia ja ne tulee korjata.*
- c) **Irrota pistoke pistorasiasta ja/tai poista akku (jos akku on irrotettava) laitteesta ennen sähkökäyttöisen käsityökalun säätämistä tai varusteiden vaihtamista ja ennen työkalun laittamista säilytykseen.** *Nämä ennaltaehkäisevät toimenpiteet vähentävät sähkökäyttöisen käsityökalun tahatonta käynnistymistä.*

- d) Säilytä sähkökäyttöisiä käsityökaluja lasten ulottumattomissa. Älä luovuta sähkökäyttöistä käsityökalua henkilöille, jotka eivät tunne sitä tai sen käyttöohjetta. *Sähkökäyttöiset käsityökalut ovat vaarallisia tottumattomien käyttäjien käsissä.*
- e) Huolla sähkökäyttöistä käsityökalua ja sen tarvikkeita. Varmista, että osat on asennettu oikein ja ne ovat ehjiä, kaikki liikkuvat osat liikkuvat esteettä ja että mikään muu seikka ei häiritse sähkökäyttöisen käsityökalun toimintaa. Jos jokin osa on vahingoittunut, se tulee korjata ennen käyttöä. *Monet onnettomuudet johtuvat huonosti huolletuista sähkökäyttöisistä käsityökaluista.*
- f) Pidä työkalut puhtaina ja terävinä. Kunnolla huolletut terävät terätyökalut vähentävät juuttumisen vaaraa, ja niitä on helpompi hallita.
- g) Käytä sähkökäyttöistä käsityökalua ja sen varusteita ym. ohjeiden mukaisesti ja kyseiselle sähkökäyttöiselle käsityökalulle sopivalla tavalla. Ota myös huomioon työskentelyolosuhteet ja suoritettava työ. *Sähkökäyttöisen käsityökalun käyttäminen muihin kuin sille tarkoitettuihin työtehtäviin saattaa johtaa vaaratilanteisiin.*
- h) Pidä kahvat ja otepinnat puhtaina ja kuivina. Varmista, että niissä ei ole öljyä tai rasvaa. *Liukkaat kahvat ja otepinnat voivat johtaa tilanteisiin, joissa sähkökäyttöistä käsityökalua ei pystytä käsittelemään turvallisella tavalla.*

## 5) Akun käyttö ja huolto

- a) Lataa akkua vain valmistajan suosittelemalla laturilla. *Vääräntyyppisen laturin käyttäminen saattaa johtaa tulipaloon.*
- b) Käytä ainoastaan tähän sähkökäyttöiseen käsityökaluun tarkoitettua tai soveltuvaa akkua. *Vääräntyyppisen akun käyttäminen voi aiheuttaa henkilövahinkoja tai tulipalon.*
- c) Kun akkua ei käytetä, sitä tulee säilyttää poissa metalliesineiden (esim. paperiliittimet, kolikot, avaimet, naulat, ruuvit) läheisyydestä. *Metalliesineet saattavat muodostaa kontaktin akun napojen välille. Akun napojen oikosulku saattaa johtaa palovammoihin tai tulipaloon.*
- d) Akun vahingoittuminen saattaa aiheuttaa akkuhapon vuotamista; tässä tapauksessa akkuun ei saa koskea. Jos joudut kosketuksiin hapon kanssa, huuhtelee happo pois runsaalla vedellä. Jos happoa joutuu silmiin, hakeudu lääkäriin. *Acun happo saattaa aiheuttaa ärsytystä ja palovammoja.*
- e) Älä koskaan käytä sähkökäyttöistä käsityökalua tai työkalun akkua, jos ne ovat jollain tapaa muunneltuja tai vaurioituneita. *Vahingoittuneiden tai käsiteltyjen akkujen toiminta voi olla ennustamatonta. Tällaisten akkujen käyttö voi johtaa tulipaloon, räjähdykseen tai henkilövahinkoihin.*
- f) Älä altista paristoja korkeille lämpötiloille tai avotulelle. *Yli 130 °C (265 °F) lämpötilalle altistunut akku voi räjähtää.*
- g) Noudata kaikkia akun lataamisesta annettuja ohjeita, äläkä koskaan lataa akkua tai sähkökäyttöistä käsityökalua tässä käyttöohjeessa ohjeistettujen lämpötilatietojen vastaisesti. *Väärin tai väärässä lämpötilassa lataaminen voi vahingoittaa akkua ja aiheuttaa tulipalon.*

## 6) Huolto

- a) Laitteen saa huoltaa ja korjata ainoastaan ammattilainen, ja huollossa tulee käyttää ainoastaan alkuperäisosia. Näin taataan sähkökäyttöisen käsityökalun turvallisuus.
- b) **Älä koskaan yritä korjata viallista akkua.** Vain valmistaja tai ammattilainen saa huoltaa tai korjata viallisen akun.

## Erityiset turvallisuusohjeet poraamiseen ja ruuvaamiseen

Pidä kiinni sähkökäyttöisen käsityökalun eristetyistä kahvoista, kun työskentelet paikoissa, joissa laite tai kiinnike voi joutua kosketuksiin jännitteisten johtojen tai sähkötyökalun oman johdon kanssa. Jos kiinnike koskettaa jännitteistä johtoa, se saattaa tehdä laitteen metalliosista jännitteisiä, mikä voi johtaa sähköiskuun.

### Pitkien poranterien käyttöä koskevia turvallisuusohjeita

- **Älä työskentele poranterän korkeinta sallittua kierroslukua korkeammilla nopeuksilla.** Sallittua korkeammalla kierrosluvulla poraaminen voi aiheuttaa terän vääntymisen, jos terän annetaan pyöriä ilman kontaktia työstettävään kappaleeseen. Loukkaantumisvaara.
- **Aloita poraaminen aina matalalla kierrosluvulla ja varmista, että poranterän kärki on kiinni työstettävässä kappaleessa.** Sallittua korkeammalla kierrosluvulla poraaminen voi aiheuttaa terän vääntymisen, jos terän annetaan pyöriä ilman kontaktia työstettävään kappaleeseen. Loukkaantumisvaara.
- **Älä koskaan kuormita poranterää sivusuunnassa tai paina terää liian kovaa alustaa vasten.** Terä voi irrota, mikä voi johtaa poran hallinnan menettämiseen ja loukkaantumiseen.

### Yleisiä turvallisuusohjeita

- **Sammuta sähkökäyttöinen käsityökalu välittömästi, jos siihen kiinnitetty tarvike jumittuu.** Varaudu siihen, että korkean kierrosluvun käyttö saattaa aiheuttaa yllättävän takapotkun. Terä/pala juuttuu työstettävään kappaleeseen, jos se jumittuu tai jos työkalu ylikuormittuu.
- **Pidä sähkökäyttöisestä käsityökalusta kunnolla kiinni.** Ruuvatessa saattaa hetkellisesti esiintyä korkeampia kierroslukuja.
- **Kiinnitä työstettävä kappale kunnolla.** Kiinnitä työstettävä kappale kunnolla paikalleen esim. puristimilla. Kunnolla kiinnitetyn kappaleen työstäminen on turvallisempaa kuin esim. pideltäessä kappaletta käsivoimin paikallaan.
- **Käytä asianmukaisia laitteita havaitaksesi työskentelyalueella mahdollisesti kulkevat sähköjohdot ja kaasu- tai vesiputket.** Tarvittaessa ota yhteyttä alan ammattilaisiin. Sähköjohtojen koskettaminen saattaa johtaa sähköiskuun tai tulipalloon. Kaasuputkien vahingoittaminen saattaa johtaa räjähdykseen. Vahingoittuneet vesijohdot voivat aiheuttaa suuria omaisuusvahinkoja.
- **Älä laske sähkökäyttöistä käsityökalua käsistäsi ennen kuin se on kokonaan pysähtynyt.** Asennettu tarvike voi jumittua ja aiheuttaa työkalun hallinnan menetyksen.

- **Vahingoittunut tai väärinkäsitelty akku voi tuottaa haitallista höyryä. Akku saattaa syttyä palamaan tai räjähtää.** *Varmista, että työskentelytila on hyvin ilmastoitu. Ota yhteyttä lääkäriin, jos saat haitallisen höyryn hengittämiseen viittaavia oireita. Höyry saattaa aiheuttaa hengitysteiden ärsytystä.*
- **Älä koskaan avaa akkua.** *Oikosulkuvaara.*
- **Akku voi vahingoittua terävistä esineistä, kuten nautoista tai ruuvimeisseleistä tai muusta akun kuoreen kohdistuvasta vaikutuksesta.** *Kuoren sisällä voi tapahtua oikosulku, mikä voi johtaa savunmuodostukseen, tulipaloon, räjähdykseen tai ylikuumentumiseen.*
- **Käytä ainoastaan valmistajan hyväksymää tuotteelle tarkoitettua akkua.**
- *Tämä suojaa akkua vaaralliselta ylikuumentumiselta.*
- **Älä altista akkua voimakkaalle lämmölle, esim. jatkuvalle auringonvalolle tai avotulen kuumuudelle. Älä altista laitetta kosteudelle tai vedelle.** *Räjähdyksivaara.*

## Tuotteen merkinnät ja turvallisuussymbolit



Lue käyttöohje



Käytä hengityssuojainta

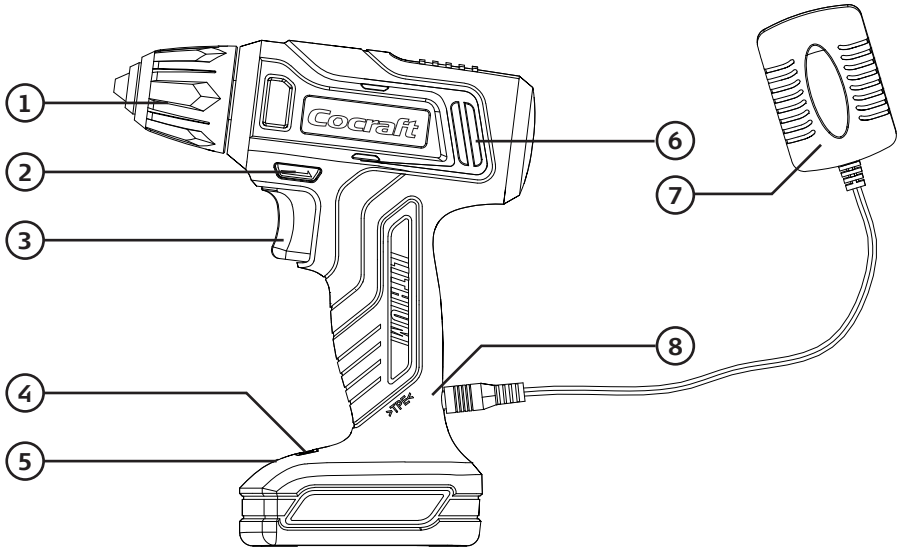


Käytä suojalaseja



Käytä kuulosuojainta

# Tuotekuvaus



1. Avaimeton istukka
2. Suunnanvaihtokytkin, virtakytkimen lukitus
3. Virtakytkin (portaaton)
4. Lataustason merkkivalot
5. Valo
6. Moottorin ilma-aukot
7. Laturi
8. Laturin liitäntä

## Käyttö

### Lataaminen

Lataa akku mieluiten normaalissa huonelämpötilassa (18-24 °C).

Älä lataa akkua alle 4 °C tai yli 40 °C lämpötiloissa.

1. Liitä laturin pistoke verkkopistorasiaan.
2. Liitä latauskaapeli porakoneen latausliitäntään (8).
3. Latauksen merkkivalot (4):
  - Akku on tyhjä, kun laturi liitetään: punainen merkkivalo palaa vilkkumatta.
  - Akkua ladataan: punainen ja keltainen merkkivalo palavat vilkkumatta. Sitten punainen, keltainen ja vihreä merkkivalo palavat vilkkumatta.
  - Akku täynnä: vihreä vilkkumaton valo

## **Huom.!**

Jos porakone tai akku on kuumentunut käytön aikana niin kuumaksi, ettei akkua voi ladata, vilkkuu merkkivalo punaisena kun laturi liitetään. Anna laitteen jäähtyä, ennen kuin lataat akkua.

## **Ylikuormitus ja suojaus**

Akussa on erilaisia suojaustoimia laitteen ja akun suojaamiseksi.

- Ylikuormitusuoja sammuttaa laitteen lyhytaikaisen ylikuormituksen sattuessa. Suoja palautuu automaattisesti. Päästä virtakytkin ja odota muutaman sekunnin ajan. Varmista, että laitetta ei ole kuormitettu, ja käynnistä se uudelleen. Laite toimii taas normaalisti.
- Ylikuumenemissuoja sammuttaa laitteen pitkäaikaisen ylikuormituksen sattuessa. Ylikuumenemissuoja palautuu automaattisesti, mutta laitteen voi käynnistää vasta kun sen lämpötila on laskenut riittävästi. Anna laitteen/akun jäähtyä ennen kuin yrität käynnistää laitteen. Myös suora auringonvalo saattaa aiheuttaa koneen ylikuumenemisen. Vältä suoraa auringonvaloa.
- Akussa on alijännitesuoja, joka sammuttaa laitteen, jos akku tyhjenee. Alijännitesuoja sammuttaa laitteen automaattisesti, minkä jälkeen akku pitää ladata.

## **Toiminnot**

### ***Virtakytkin***

- Käynnistä ja sammuta porakone painamalla ja päästämällä virtakytkin (3).
- Porakoneessa on portaaton kierrosluvun säätö, mikä helpottaa erityisesti ruuvausta. Kierrosluku kasvaa, kun virtakytkintä painetaan kovempaa.

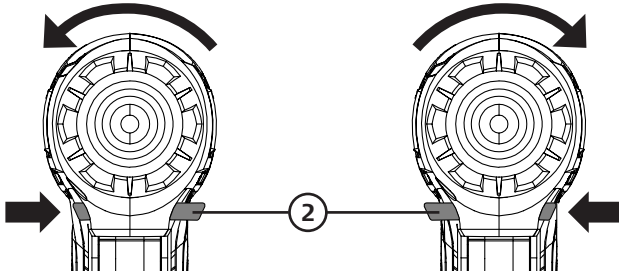
### ***Valo***

Porakoneen valo (5) on sijoitettu akun viereen, jotta se valaisisi parhaalla mahdollisella tavalla ilman istukasta aiheutuvaa varjoa. Valo syttyy, kun virtakytkintä painetaan, ja sammuu noin 4 sekunnin kuluttua siitä, kun virtakytkin on päästetty.

### ***Suunnanvaihtokytkin, lukitus***

Valitse suunta (oikea/vasen) suunnanvaihtokytkimellä (2). Suunnanvaihtokytkimen keskiasento lukitsee virtakytkimen. Porakone ei käynnisty, kun kytkin on keskiasennossa.

## Poranterän tai ruuvauskärjen

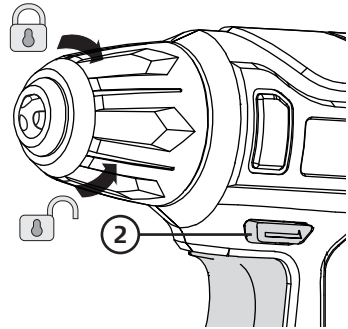


### asennus/vaihtaminen

Porakoneessa on pikaistukka, jonka avulla poranterän tai ruuvauskärjen voi vaihtaa helposti yhdellä kädellä. Kiristä kiertämällä vasemmalle ja avaa kiertämällä oikealle.

Varmista, että poranterä/ruuvauskärki on tiukasti paikallaan ja keskellä istukkaa.

1. Lukitse virtakytkin asettamalla kytkin (2) keskiasentoon.
2. Irrota poranterä/ruuvauskärki kääntämällä istukkaa kuvan osoittamaan suuntaan.



## Vinkkejä poraukseen

- Kun poraat liukasta pintaa, esim. klinkkeriä, aseta vahva teipinpala porattavaan kohtaan, ettei pora pääse luisumaan pois porauskohdasta.
- Kun poraat metallia, tee aluksi pistepuikolla pieni reikä porauskohtaan. Reikä keskittää poran oikeaan paikkaan niin, ettei se pääse liukumaan porattaessa.
- Kun poraat metallia, kannattaa myös käyttää poraus- ja kierreöljyä työkalun säästämiseksi.
- Kiinnitä porattava materiaali aina puristimilla.
- Kun poraat seinää, varo ettet vahingoita sähköjohtoja tai vesi- tai kaasuputkia.

## Huolto ja säilytys

### Porakone

- Puhdista porakoneen pinta pehmeällä harjalla tai liinalla. Älä käytä vettä, liuotusaineita tai syövyttäviä kemikaaleja.

- Poista säännöllisesti kaikki roskat. Puhdista erityisen tarkasti moottorin ilma-aukot (6).
- Säilytä porakoneita kuivassa paikassa lasten ulottumattomissa.
- Säilytä porakoneita normaalissa huonelämpötilassa ja lataa akku täyteen puolen vuoden välein, jotta akun kapasiteetti säilyy.

## Laturi

- Varmista, että ulkopinta on puhdas. Imuroi laite tai pyyhi se tarvittaessa kuivalla liinalla. Epäpuhtaudet saattavat johtaa sähköiskuun.
- Irrota laturi pistorasiasta ja säilytä sitä kuivassa ja pölyttömässä paikassa lasten ulottumattomissa.

## Vianhakutaulukko

Porakone ei käynnisty.	Akku on tyhjä. Lataa akku.
Porakone käy hitaasti ja/tai pysähtyy.	<ul style="list-style-type: none"> <li>• Konetta painetaan liian kovaa. Älä pakota konetta.</li> <li>• Akku voi olla ylikuumentunut. Katso luku <i>Ylikuormitus ja suojaus</i>.</li> </ul>
Akku ei kestä pitkään.	Akkua ei ole ladattu täyteen. Voi olla, että akkua pitää ladata muutaman kerran, ennen kuin se saavuttaa täyden kapasiteetin.
Akku ei lataudu.	<ul style="list-style-type: none"> <li>• Varmista, että laturi on liitetty kunnolla pistorasiaan.</li> <li>• Varmista, että pistorasiassa on virtaa.</li> <li>• Akku on ylikuumentunut, anna sen jäähtyä.</li> <li>• Varmista, että laturi ja latauskaapeli ovat vahingoittumattomia ja että porakoneen latauskaapelin liitäntä (8) on ehjä ja puhdas.</li> </ul>
Akku kestää vain vähän aikaa latauksen jälkeen.	Akkua ei ole ladattu täyteen. Lataa, kunnes vihreä merkkivalo (4) palaa kiinteästi vihreänä.



## Kierrättäminen

Tämä kuvake tarkoittaa, että tuotetta ei saa hävittää kotitalousjätteen seassa. Tämä koskee koko EU-aluetta. Virheellisestä hävittämisestä johtuvien mahdollisten ympäristö- ja terveyshaittojen ehkäisemiseksi tuote tulee viedä kierrätettäväksi, jotta materiaali voidaan käsitellä vastuullisella tavalla. Kierrätä tuote käyttämällä paikallisia kierrätysjärjestelmiä tai ota yhteys ostopaikkaan. Ostopaikassa tuote kierrätetään vastuullisella tavalla.

## Tekniset tiedot

### Porakone

<b>Akku</b>	12 V (Nimellisjännite 11,1 V)
<b>Akkukapasiteetti</b>	1300 mAh
<b>Kierros-luku</b>	0-750 kierr./min
<b>Istukka</b>	10 mm
<b>Latausaika</b>	5 tuntia
<b>Poraus-kapasiteetti puu</b>	16 mm
<b>Poraus-kapasiteetti metalli</b>	8 mm
<b>Paino</b>	810 g
<b>Äänitaso LpA</b>	75,3 dB(A), Epätarkkuus K = 5 dB(A)
<b>Äänitaso LwA</b>	86,3 dB(A), Epätarkkuus K = 5 dB(A)
<b>Tärinäarvot Metallinporaus</b>	ah,D= 3,63 m/s <sup>2</sup> , Epätarkkuus K = 1,5 m/s <sup>2</sup>

### Laturi

Tulo:100-240 V AC 50/60 Hz, 10 W

Lähtö:13,5 V DC, 300 mA

### Tärinä

- Tässä käyttöohjeessa ilmoitettu tärinäarvo (kolmen suunnan vektorisumma) ja meluarvot on mitattu EN 62841 -standardisoidulla mittaustavalla, ja arvot ovat verrattavissa muihin sähkökäyttöisiin käsityökaluihin.
- Mittaustapa soveltuu myös tärinäkuormituksen alustavaan arviointiin.
- Ilmoitettu tärinäarvo toteutuu, kun sähkökäyttöistä käsityökalua käytetään käyttö-ohjeessa kuvatulla tavalla. Jos sähkökäyttöistä käsityökalua käytetään muihin tarkoituksiin ja muilla tarvikkeilla tai jos sitä ei ole huollettu kunnolla, käytön aikainen tärinäarvo saattaa kasvaa huomattavasti.
- Tarkan tärinäkuormituksen arvioimiseksi pitää huomioida ajat, jolloin sähkökäyttöinen käsityökalu ei ole kytkettynä tai kun se on käynnissä ilman, että sitä käytetään. Tämä vähentää huomattavasti koko työskentelyjakson tärinäkuormitusta. Päätä turvallisuustoimenpiteet suojataksesi käyttäjää tärinän vaikutukselta kaikissa käyttötarkoituksissa.

# Schrauber Cocraft 12 V

Art.Nr. 41-2300 Modell CDT112EL

Vor der Benutzung die Anleitung vollständig durchlesen und für künftigen Gebrauch aufbewahren. Irrtümer, Abweichungen und Änderungen behalten wir uns vor. Bei technischen Problemen oder anderen Fragen freut sich unser Kundenservice über eine Kontaktaufnahme (Kontakt siehe Rückseite).

## Sicherheit

### Allgemeine Sicherheitshinweise für Akku-Werkzeuge

**⚠ Warnhinweis! Alle Warnhinweise, Anweisungen, Darstellungen und technischen Daten beachten, die mit diesem Elektrowerkzeug geliefert werden.** Nichtbeachtung der folgenden Anweisungen kann zu Stromschlägen, Feuer und/oder schweren Verletzungen führen.

ALLE WARNHINWEISE UND ANWEISUNGEN FÜR DEN ZUKÜNFTIGEN GEBRAUCH AUFBEWAHREN.

Der Begriff „Elektrowerkzeug“ in den nachfolgenden Warnhinweisen bezieht sich auf netz- oder akkubetriebene Handwerkzeuge.

#### 1) Arbeitsumfeld

- a) **Das Arbeitsumfeld muss sauber und gut beleuchtet sein.** Unordnung und unbeleuchtete Arbeitsbereiche führen leicht zu Unfällen.
- b) **Elektrowerkzeuge niemals in explosionsgefährdeter Umgebung einsetzen, wie zum Beispiel in der Nähe leicht entzündlicher Flüssigkeiten, Gase oder Stäube.** Elektrowerkzeuge erzeugen Funken, die Staub oder Dämpfe entzünden können.
- c) **Kinder und andere Personen während des Gebrauchs von Elektrowerkzeugen fernhalten.** Ablenkung kann zum Kontrollverlust führen.

#### 2) Elektrische Sicherheit

- a) **Der Anschlussstecker des Elektrowerkzeugs muss in die Steckdose passen.** Den Stecker niemals in irgendeiner Weise verändern. Niemals einen Adapterstecker gemeinsam mit einem geerdeten Elektrowerkzeug einsetzen. Unveränderte Stecker und passende Steckdosen verringern das Risiko für Stromschläge.
- b) **Körperkontakt mit geerdeten Gegenständen wie Rohren, Heizungen, Herd oder Kühlschrank vermeiden.** Wenn der Körper geerdet ist, erhöht sich das Risiko für Stromschläge.
- c) **Das Elektrowerkzeug niemals Regen oder Nässe aussetzen.** Das Eindringen von Wasser in ein Elektrowerkzeug erhöht das Risiko für Stromschläge.
- d) **Niemals das Netzkabel zweckentfremden, um das Gerät zu tragen, zu ziehen oder um den Stecker aus der Steckdose zu ziehen.** Das Kabel von Hitze, Öl, scharfen Kanten und sich bewegenden Geräteteilen fernhalten. Beschädigte oder verwickelte Kabel erhöhen das Risiko für Stromschläge.

- e) **Beim Einsatz eines Elektrowerkzeugs im Außenbereich ein geeignetes Verlängerungskabel einsetzen.** *Der Einsatz eines Verlängerungskabels für den Außenbereich verringert das Risiko für Stromschläge. Falls der Einsatz eines Elektrowerkzeugs in feuchter Umgebung notwendig sein sollte, das Werkzeug über einen Fehlerstromschutzschalter ans Stromnetz anschließen. Der Einsatz eines Fehlerstromschutzschalters mindert das Risiko für Stromschläge.*

### 3) Persönliche Sicherheit

- a) **Während der Tätigkeit aufmerksam sein und beim Einsatz eines Elektrowerkzeugs Vernunft walten lassen.** *Bei Müdigkeit oder unter dem Einfluss von Drogen, Alkohol oder Medikamenten kein Elektrowerkzeug bedienen. Ein Moment der Unachtsamkeit beim Einsatz eines Elektrowerkzeugs kann zu ernsten Verletzungen führen.*
- b) **Persönliche Schutzausrüstung tragen. Immer einen Augenschutz tragen.** *Das Tragen von Schutzausrüstung wie Atemschutz, trittsicheren Sicherheitsschuhen, Helm und Gehörschutz je nach Art und Einsatz des Elektrowerkzeugs verringert das Risiko von Verletzungen.*
- c) **Unbeabsichtigtes Einschalten vermeiden. Der Hauptschalter muss in OFF-Stellung sein, bevor der Stecker in die Steckdose gesteckt wird.** *Beim Tragen eines Elektrowerkzeugs einen Finger am Schalter zu halten oder das Gerät eingeschaltet ans Stromnetz anzuschließen, kann zu Unfällen führen.*
- d) **Alle Einstellwerkzeuge vor dem Einschalten des Elektrowerkzeugs entfernen.** *Ein vergessenes Einstellwerkzeug an einem sich drehenden Geräteteil kann zu Verletzungen führen.*
- e) **Nicht zu weit nach vorne strecken. Jederzeit auf einen sicheren Stand und Gleichgewicht achten.** *Das ermöglicht in unerwarteten Situationen eine bessere Kontrolle.*
- f) **Geeignete Kleidung tragen. Keine weit sitzende Kleidung oder Schmuck tragen. Haare, Kleidung und Handschuhe von sich bewegenden Teilen fernhalten.** *Weite Kleidung, Schmuck oder lange Haare können von sich bewegenden Teilen erfasst werden.*
- g) **Wenn Staubabsaug- und -auffangeinrichtungen montiert werden können, sicherstellen, dass diese angeschlossen sind und angewendet werden.** *Der Einsatz dieser Hilfsmittel verringert Gefährdungen durch Staub.*
- h) **Auch wer mit Elektrowerkzeugen vertraut ist, darf nicht vergessen, die geltenden Sicherheitshinweise zu beachten.** *Nachlässiger Umgang kann im Bruchteil einer Sekunde zu schweren Körperverletzungen führen.*

### 4) Benutzung und Wartung von Elektrowerkzeugen

- a) **Elektrowerkzeuge nie überbeanspruchen. Elektrowerkzeuge nur für die dafür vorgesehene Arbeit benutzen.** *Das richtige Elektrowerkzeug sorgt für mehr Sicherheit und ein besseres Resultat.*
- b) **Niemals ein Elektrowerkzeug benutzen, wenn der Stromschalter das Gerät nicht ein-/ausschaltet.** *Elektrowerkzeuge, die nicht über den Schalter bedient werden können, machen eine Gefahr aus und müssen repariert werden.*

- c) **Zum Ändern der Einstellungen, Austausch von Werkzeugteilen und bei Nichtbenutzung stets den Netzstecker ziehen, bzw. den Akku entfernen (falls dieser abnehmbar ist).** *Diese vorbeugenden Maßnahmen verringern die Gefahr, dass sich das Elektrohandwerkzeug unbeabsichtigt einschaltet.*
- d) **Elektrowerkzeuge bei Nichtbenutzung außer Reichweite von Kindern aufbewahren. Personen, die nicht mit der Bedienung vertraut sind, das Elektrowerkzeug nicht benutzen lassen.** *Elektrowerkzeuge können bei Nichtbeachtung eine große Gefahr ausmachen.*
- e) **Bedienung und Wartung von Elektrowerkzeugen. Sicherstellen, dass bewegliche Geräteteile einwandfrei funktionieren und nicht klemmen, dass keine Teile gebrochen oder so beschädigt sind, dass die Funktion des Elektrowerkzeugs beeinträchtigt ist. Evt. Beschädigungen unbedingt vor der Benutzung reparieren lassen.** *Viele Unglücke werden durch mangelnde Wartung verursacht.*
- f) **Die Schneidwerkzeuge scharf und sauber halten.** *Ordentlich gewartete Werkzeuge neigen weniger zu Fehlfunktionen und sind einfacher zu handhaben.*
- g) **Elektrowerkzeuge, Zubehör usw. nur der Beschreibung entsprechend und für den vorgesehenen Verwendungszweck handhaben. Dabei immer die aktuellen Arbeitsbedingungen berücksichtigen.** *Bei Zweckentfremdung können Sach- und Personenschäden entstehen.*
- h) **Griffe und Griffflächen trocken, sauber und frei von Öl und Fett halten.** *Rutschige Griffe und Griffflächen tragen zu unvorhergesehenen Situationen bei, in denen das Elektrohandwerkzeug nicht sicher gehandhabt werden kann.*

## 5) Bedienung und Wartung des Akkus

- a) **Den Akku nur mit einem vom Hersteller dafür vorgesehenen Ladegerät laden.** *Ein Akku-Ladegerät für einen bestimmten Akkutyp kann mit einem anderen Akkutyp für Brandgefahr sorgen.*
- b) **Nur Akkus verwenden, welche die richtigen technischen Daten besitzen und für genau das benutzte Elektrowerkzeug vorgesehen und konstruiert sind.** *Die Benutzung anderer Batterie-/Akkusorten kann zu Personenschäden und Bränden führen.*
- c) **Wenn der Akku nicht benutzt wird, ist bei der Aufbewahrung auf ausreichenden Abstand zu Gegenständen wie Klammern, Münzen, Schlüsseln, Nägeln, Schrauben oder anderen kleinen metallischen Gegenständen zu achten, die einen Kontakt zwischen den Akkupolen herstellen könnten.** *Durch einen Kurzschluss der Batteriepole kann es zu Brandverletzungen oder Feuer kommen.*
- d) **Bei unsachgemäßer Behandlung des Akkus kann Säure austreten; Kontakt vermeiden. Bei direktem Kontakt mit der Säure mit reichlich Wasser abspülen. Bei Kontakt mit den Augen einen Arzt aufsuchen.** *Austretende Batteriesäure kann Reizungen und Verbrennungen verursachen.*
- e) **Niemals ein modifiziertes Elektrowerkzeug oder einen Akku, der modifiziert oder beschädigt wurde, benutzen.** *Beschädigte oder veränderte Akkus können sich unvorhersehbar verhalten, was zu Feuer, Explosion und Körperverletzung führen kann.*
- f) **Akkus niemals extremer Hitze oder offenem Feuer aussetzen.** *Bei Temperaturen über 130 °C (265 °F) kann der Akku explodieren.*

- g) **Alle Ladeanweisungen befolgen und den Akku oder das Elektrowerkzeug niemals bei anderen Temperaturen als den in dieser Anleitung angegebenen laden.** *Ein nicht ordnungsgemäßer Ladevorgang oder ein Ladevorgang bei Temperaturen, die nicht den in diesem Handbuch angegebenen entsprechen, kann den Akku beschädigen und die Brandgefahr erhöhen.*

## 6 Service

- a) **Reparaturen nur von qualifizierten Servicetechnikern und mit Originalzubehör durchführen lassen.** *Dies bewahrt die Sicherheit von Elektrowerkzeugen.*
- b) **Niemals versuchen, einen beschädigten Akku selbst zu reparieren.** *Akkus, die gewartet werden müssen, dürfen nur vom Hersteller oder von autorisiertem Personal gehandhabt werden.*

## Besondere Sicherheitsbestimmungen zum Bohren und Schrauben

Das Elektrowerkzeug immer am isolierten Griff anfassen, wenn es an Orten benutzt wird, wo das Bohr- bzw. Schraubwerkzeug in Kontakt mit stromführenden Leitungen oder dem eigenen Stromkabel kommen kann. *Falls das Verbindungselement in Kontakt mit stromführenden Leitungen kommt, können die Metallteile des Werkzeugs auch stromführend werden, was zu Stromschlägen führen kann.*

## Sicherheitshinweise für das Arbeiten mit langem Bohrzubehör

- **Niemals mit einer höheren Geschwindigkeit als der maximal zulässigen Geschwindigkeit des Zubehörs arbeiten.** *Bei höheren Geschwindigkeiten kann sich der Bohrer verbiegen, wenn er sich frei drehen kann, ohne das Werkstück zu berühren, was zu Verletzungen führen kann.*
- **Das Bohren immer mit niedriger Geschwindigkeit starten und darauf achten, dass die Spitze des Bohrers das Werkstück berührt.** *Bei höheren Geschwindigkeiten kann sich der Bohrer verbiegen, wenn er sich frei drehen kann, ohne das Werkstück zu berühren, was zu Verletzungen führen kann.*
- **Den Bohrer niemals schief belasten und niemals unmotiviert festdrücken.** *Der Bohrer kann sich lösen, was dazu führen kann, dass die Kontrolle verloren geht, was wiederum zu Körperverletzungen führen kann.*

## Weitere Sicherheitshinweise

- **Das Elektrowerkzeug sofort ausschalten, wenn montierte Schneidwerkzeuge/ Bits hängenbleiben.** *Der Benutzer muss stets auf ein hohes Drehmoment vorbereitet sein, das zu unvorhergesehenen Stößen führen kann. Schneidwerkzeuge/Bits können im Werkstück hängenbleiben, wenn es eingeklemmt wird oder das Elektrohandwerkzeug überlastet wird.*
- **Das Elektrowerkzeug stets ordentlich festhalten.** *Beim Ein- oder Ausdrehen von Schrauben kann es vorübergehend zu hohen Drehmomenten kommen.*
- **Das Werkstück ordentlich festspannen.** *Ein Werkstück, das mit einer Zwinde o. ä. eingespannt oder an einem Schraubstock befestigt ist, ist sicherer, als wenn es von Hand gehalten wird.*

- **Einen geeigneten Detektor/finder benutzen, um verdeckte Strom-, Gas oder Wasserleitungen im Arbeitsbereich zu finden. Bei Bedarf an einen Fachmann wenden.** *Kontakt mit Stromleitungen kann zu elektrischem Schlag oder Feuer führen. Beschädigte Gasleitungen können zu Explosionen führen. Beschädigte Wasserleitungen können zu erheblichen Sachschäden führen.*
- **Abwarten, bis das Elektrowerkzeug komplett zum Stillstand gekommen ist, bevor es abgelegt wird.** *Befestigtes Zubehör kann festklemmen und dafür sorgen, dass die Kontrolle über die Maschine verloren wird.*
- **Ein beschädigter oder verbrauchter Akku kann Dämpfe abgeben. Der Akku kann anfangen zu brennen oder explodieren.** *Sicherstellen, dass der Arbeitsplatz gut belüftet ist, und einen Arzt konsultieren, wenn sich jemand durch die Dämpfe in irgendeiner Weise beeinträchtigt fühlt. Die Dämpfe können die Atemwege reizen.*
- **Niemals den Akku öffnen.** *Kurzschlussgefahr.*
- **Der Akku kann durch scharfe Gegenstände wie Nägel, Schraubendreher oder andere äußere Einflüsse auf das Gehäuse beschädigt werden.** *Es können Kurzschlüsse innerhalb des Gehäuses auftreten, die zu Rauchentwicklung, Feuer, Explosion oder Überhitzung führen können.*
- **Den Akku nur in einem dafür vorgesehenen Gerät vom Originalhersteller betreiben.** *Dies schützt den Akku vor schädlicher Überlastung.*
- **Den Akku vor starker Hitze wie z. B. längerer starker Sonneneinstrahlung oder offenem Feuer schützen. Den Akku nicht Feuchtigkeit oder Wasser aussetzen.** *Explosionsgefahr.*

## Produktkennzeichnung mit Sicherheitssymbolen



Bedienungsanleitung lesen.



Atemschutz benutzen.

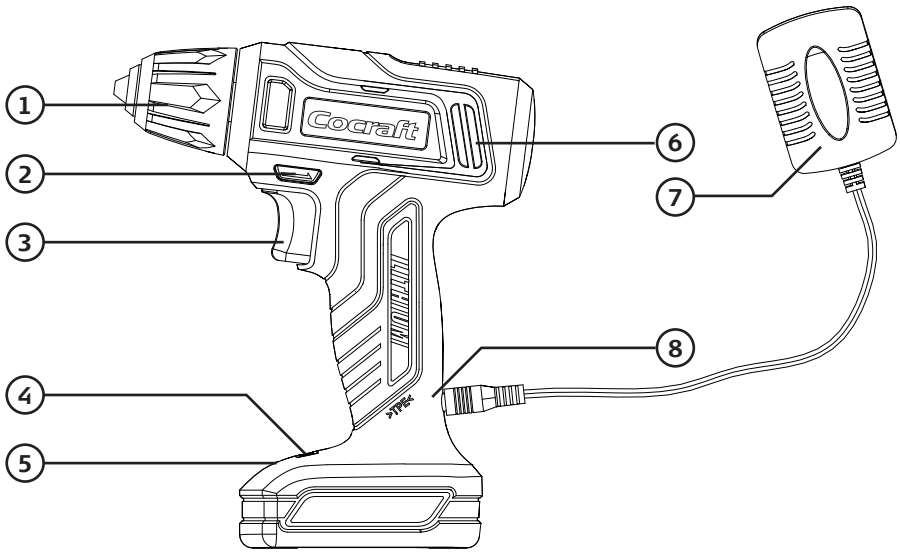


Schutzbrille tragen.



Gehörschutz tragen.

# Produktbeschreibung



1. Schnellspannbohrfutter
2. Drehrichtungsumschalter, Schaltersperre
3. Ein-/Ausschalter (stufenlos)
4. Ladestandsanzeige
5. Beleuchtung
6. Belüftungsöffnungen des Motors
7. Ladegerät
8. Anschluss für Ladegerät

## Gebrauch

### Ladevorgang

Für optimale Leistung den Akku stets bei normaler Zimmertemperatur (18–24 °C) aufladen. Den Akku nie bei Temperaturen unter 4 °C und über 40 °C laden.

1. Das Ladegerät an eine Steckdose anschließen.
2. Das Ladekabel an die Ladebuchse (8) des Schraubers anschließen.
3. Die Ladestandsanzeige (4) zeigt folgendermaßen an:
4. Der Akku ist beim Anschließen des Ladegerätes vollständig entladen: einzig rotes Leuchten
5. Während des Ladevorgangs: rotes und gelbes Leuchten. Danach rotes, gelbes und grünes Leuchten.
6. Vollständig geladener Akku: einzig grünes Leuchten

## **Wichtig**

Wenn der Schrauber heiß war oder so hart gefahren wurde, dass der Akku zum Laden zu heiß ist, blinkt die Ladeanzeige rot, wenn das Ladegerät angeschlossen wird. Vor dem Laden des Akkus das Gerät abkühlen lassen.

## **Überlastung und Schutzvorrichtungen**

Der Akku ist mit einer Reihe von Schutzvorrichtungen ausgestattet, um Schäden am Akku und Gerät zu verhindern.

- Bei kurzzeitiger Überbelastung kann der Überlastungsschutz das Gerät abschalten. Die Schutzvorrichtung stellt sich selber in die Ausgangsstellung zurück. Den Stromschalter loslassen und ein paar Sekunden warten, während das Gerät belastungsfrei ist. Dann erneut starten. Das Gerät sollte nun wieder normal funktionieren.
- Bei längerer Überbelastung kann der Überhitzungsschutz das Gerät abschalten. Der Überhitzungsschutz ist selbstrückstellend, aber das Gerät kann erst wieder gestartet werden, wenn es abgekühlt ist. Vor einem erneuten Startversuch das Gerät bzw. den Akku abkühlen lassen. Schädliche Temperaturen können auch bei andauernder Sonnenbestrahlung auftreten, die daher zu vermeiden ist.
- Der Akku verfügt über einen Unterspannungsschutz, der auslöst, wenn der Akku entladen ist. Der Unterspannungsschutz schaltet dann automatisch das Gerät ab und der Akku muss geladen werden.

## **Funktionen**

### ***Geräteschalter***

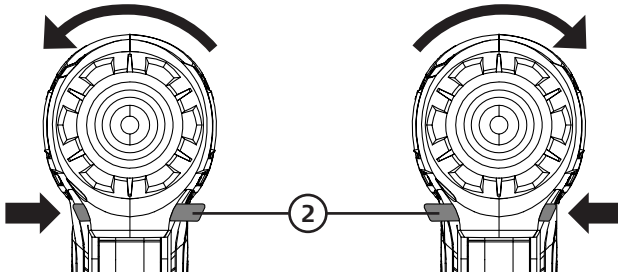
- Die Maschine wird durch Drücken des Ein-/Ausschalters (3) gestartet bzw. gestoppt.
- Die Maschine verfügt über eine stufenlose Drehzahlregelung, die beim Schrauben sehr praktisch ist. Je mehr der Ein-/Ausschalter eingedrückt wird, umso höher wird die Drehzahl.

### ***Beleuchtung***

Der Schrauber ist mit einer Leuchte (5) ausgestattet, die für optimale Ausleuchtung beim Akku angebracht ist, um nicht durch das Bohrfutter verdeckt zu werden. Die Beleuchtung wird beim Drücken des Geräteschalters automatisch eingeschaltet und nach ca. 4 s nach Loslassen wieder ausgeschaltet.



## Umschalter für Rechts-/Linksdrehung, Sperre

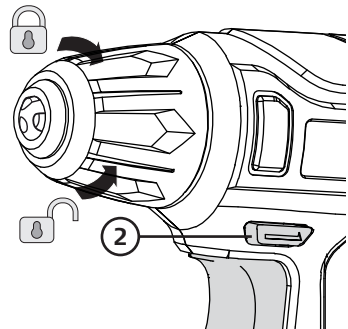


Mit dem Umschalter (2) Rechts- oder Linkslauf wählen. Der Umschalter hat eine mittlere Position, in welcher der Ein-/Ausschalter verriegelt ist. Wenn der Umschalter in der mittleren Position steht, kann die Maschine nicht gestartet werden.

### Montage/Wechsel von Bohrer oder Bit

Die Maschine verfügt über ein Schnellspannbohrfutter, das den Austausch von Bohrern oder Bits mit einer Hand erleichtert. Zum Festziehen nach links drehen, zum Lösen nach rechts drehen. Sicherstellen, dass der Bohrer/Bit im Bohrfutter richtig fest sitzt und zentriert ist.

1. Den Umschalter (2) auf die mittlere Position stellen, um den Schrauber zu sperren.
2. Das Bohrfutter wie auf den Abbildungen gezeigt drehen, um den Bohrer/Bit zu verriegeln bzw. zu entriegeln.



## Hinweise und Tipps zum Bohren

- Beim Bohren in glattem Material, z. B. Fliesen, sollte ein starker Klebestreifen an der Bohrstelle aufgeklebt werden, um ein Abrutschen des Bohrers zu verhindern.
- Beim Bohren in Metall wird empfohlen, zunächst mit einem Körner eine kleine Vertiefung an der Bohrstelle zu machen. Diese kleine Vertiefung hält dann den Bohrer an der richtigen Stelle und verhindert ein Abrutschen.
- Beim Bohren in Metall wird auch die Verwendung von Gewinde-/Schneidöl empfohlen, um das Werkzeug zu schonen.
- Um das zu bearbeitende Werkstück festzuhalten, stets eine Zwinge/einen Schraubstock anwenden.
- Beim Bohren in Wänden darauf achten, dass keine Wasser-, Strom-, Gasleitungen usw. beschädigt werden.

# Pflege, Wartung und Aufbewahrung

## Akkuschrauber

- Das Gerät äußerlich mit einer weichen Bürste oder einem weichen Tuch reinigen. Niemals Wasser, Lösungsmittel oder scharfe Chemikalien verwenden.
- Regelmäßig sämtlichen Schmutz entfernen, vor allem an den Lüftungsschlitzen des Motors (6).
- Das Gerät bei längerer Nichtbenutzung trocken und außer Reichweite von Kindern aufbewahren.
- Den Schrauber bei Zimmertemperatur aufbewahren und den Akku alle 6 Monate vollständig aufladen um dessen Kapazität zu erhalten.

## Ladegerät

- Das Gehäuse stets sauber halten. Das Produkt bei Bedarf mit einem trockenen Tuch oder einem Staubsauger reinigen. Verschmutzungen können zu Stromschlägen führen.
- Bei Nichtbenutzung immer das Ladegerät vom Strom trennen und das Gerät trocken und staubfrei sowie für Kinder unzugänglich aufbewahren.

## Fehlersuche

Das Gerät startet nicht.	Der Akku ist leer. Den Akku aufladen.
Das Gerät läuft langsam und/oder schaltet aus.	<ul style="list-style-type: none"><li>• Zu schnelles / starkes Einführen von Material. Weniger Druck beim Schleifen ausüben.</li><li>• Der Akku kann überhitzen. Siehe Abschnitt Überlastung und Schutzvorrichtungen.</li></ul>
Kurze Akkulaufzeit.	Der Akku ist nicht vollständig geladen. Mitunter braucht es einige Ladezyklen, in denen der Akku zu 100 % aufgeladen wird, bis er seine volle Kapazität erreicht.
Der Akku lädt nicht.	<ul style="list-style-type: none"><li>• Sicherstellen, dass das Ladegerät korrekt an die Steckdose angeschlossen ist.</li><li>• Sicherstellen, dass Strom aus der Steckdose kommt.</li><li>• Der Akku ist zu heiß, abkühlen lassen.</li><li>• Sicherstellen, dass Ladegerät und Ladekabel unbeschädigt sind, und der Ladekabelanschluss (8) am Schrauber unversehrt und frei von Verunreinigungen ist.</li></ul>
Der Akku hat eine niedrige Betriebsdauer nachdem er aufgeladen wurde.	Der Akku ist nicht vollständig geladen. Den Akku laden bis die grüne Indikatorlampe (4) leuchtet.

# Hinweise zur Entsorgung

Dieses Symbol zeigt an, dass das Produkt nicht gemeinsam mit dem Hausmüll entsorgt werden darf. Dies gilt in der gesamten EU. Um möglichen Schäden für Umwelt und Gesundheit vorzubeugen, die durch unsachgemäße Abfallentsorgung verursacht werden, dieses Produkt bitte zum verantwortlichen Recycling geben, um die nachhaltige Wiederverwertung von stofflichen Ressourcen zu fördern. Bei der Abgabe des Produktes bitte die örtlichen Recycling- und Sammelstationen nutzen oder den Händler kontaktieren. Dieser kann das Gerät auf eine umweltfreundliche Weise recyceln.

# Technische Daten

## Akkuschrauber

<b>Akku</b>	12 V (Nominell 11,1 V)
<b>Akkukapazität</b>	1300 mAh
<b>Drehzahl</b>	0–750 /min
<b>Bohrfutter</b>	10 mm
<b>Ladedauer</b>	5 Std.
<b>Bohrkapazität Holz</b>	16 mm
<b>Bohrkapazität Metall</b>	8 mm
<b>Gewicht</b>	810 g
<b>Schalldruckpegel LpA</b>	75,3 dB(A), Unsicherheit K = 5 dB(A)
<b>Schalleistungspegel LwA</b>	86,3 dB(A), Unsicherheit K = 5 dB(A)
<b>Schwingungsemissionswert Bohren in Metall</b>	ah,D= 3,63 m/s <sup>2</sup> , Unsicherheit K = 1,5 m/s <sup>2</sup>

## Ladegerät

Primärspannung 100–240 V AC, 50/60 Hz, 10 W  
Sekundärspannung 13,5 V DC, 300 mA

## Vibrationen

- Die in der Bedienungsanleitung angegebene Messung des Schwingungsemissionswertes (Vektorsumme in drei Schritten) und der Lichtwerte wurde gemäß einer nach EN 62841 standardisierten Messmethode durchgeführt und kann im Vergleich von verschiedenen Elektrowerkzeugen verwendet werden.
- Die Messmethode ist für eine vorläufige Beurteilung der Schwingungsbelastung geeignet.
- Der angegebene Schwingungsemissionswert gilt, wenn das Elektrowerkzeug auf die in der Bedienungsanleitung beschriebenen Weise genutzt wird. Wird das Elektrowerkzeug dagegen zweckentfremdet, mit anderem Zubehör genutzt oder nicht ordentlich gewartet, kann der Schwingungsemissionswert während der Betriebsdauer erheblich steigen.
- Für eine exakte Beurteilung der Schwingungsbelastung sollte auch die Zeit beachtet werden, während der das Elektrowerkzeug vom Stromnetz getrennt ist oder eingeschaltet ist, ohne benutzt zu werden. Dies reduziert die Schwingungsbelastung während der Betriebsdauer deutlich. Sicherheitsmaßnahmen festlegen, um den Anwender vor den Wirkungen der Schwingung während jeglicher Benutzung zu schützen.

**Declaration of Conformity**  
**EU-försäkran om överensstämmelse**  
**Samsvarserklæring**  
**EU-vaatimustenmukaisuusvakuutus**  
**Konformitätserklärung**



Declares that this product complies with the requirements of the following directives and standards  
Intygar att denna produkt överensstämmer med kraven i följande direktiv och standarder  
Det bekræftes at dette produktet er i samsvar med følgende direktiver og standarder  
Vakuuttaa, että tämä tuote täyttää seuraavien direktiivien ja standardien vaatimukset  
Erklärt hiermit, dass dieses Produkt die Anforderungen und Bestimmungen folgender Richtlinien erfüllt

**Cocraft 12 V Drill Driver**  
**41-2300**  
**CDT112EL**

<b>Machinery Directive 2006/42/EC</b>	<b>EMC Directive 2014/30/EU</b>	<b>Low Voltage Directive 2014/35/EU</b>
EN 62841-1: 2015/+AC: 2015 EN 62841-2-1: 2018	EN 55014-1: 2006/+A1: 2009/+A2: 2011 EN 55014-2: 2015 EN 61000-3-2: 2014 EN 61000-3-3: 2013 EN55014-1:2017	EN 60335-2-29:2004/ +A2:2010 EN 60335-1: 2012/ +A11: 2014 EN 62233: 2008

Henrik Alfredsson  
Product & Quality Compliance Mgr

Insjön, Sweden, 2019-10-22

CLAS OHLSON AB, SE-793 85 INSJÖN, SWEDEN



## Sverige

---

*Kundtjänst* tel: 0247/445 00  
fax: 0247/445 09  
e-post: kundservice@clasohlson.se

*Internet* www.clasohlson.se

*Post* Clas Ohlson AB, 793 85 INSJÖN

## Norge

---

*Kundesenter* tlf.: 23 21 40 00  
faks: 23 21 40 80  
e-post: kundesenter@clasohlson.no

*Internett* www.clasohlson.no

*Post* Clas Ohlson AS, Postboks 485 Sentrum,  
0105 OSLO

## Suomi

---

*Asiakaspalvelu* puh.: 020 111 2222  
sähköposti: asiakaspalvelu@clasohlson.fi

*Internet* www.clasohlson.fi

*Osoite* Clas Ohlson Oy, Kaivokatu 10 B,  
00100 HELSINKI

## United Kingdom

---

*Customer Service* contact number: 020 8247 9300  
e-mail: customerservice@clasohlson.co.uk

*Internet* www.clasohlson.co.uk

*Postal* Clas Ohlson Ltd, Aquilla House (First floor),  
1 Becketts Wharf, Lower Teddington Road,  
Hampton Wick, Kingston Upon Thames, KT1 4ER

## Deutschland

---

*Kundenservice* Hotline: 040 2999 78111  
E-Mail: kundenservice@clasohlson.de

*Homepage* www.clasohlson.de

*Postanschrift* Clas Ohlson GmbH, Valentinskamp 88  
20355 Hamburg